

US00D509565S

(12) **United States Design Patent**  
**Starck**

(10) **Patent No.:** **US D509,565 S**

(45) **Date of Patent:** **\*\* Sep. 13, 2005**

(54) **SANITARY FAUCET**

(75) **Inventor:** **Philippe Starck, Paris (FR)**

(73) **Assignee:** **Hansgrohe AG, Schiltach (DE)**

(\*\*) **Term:** **14 Years**

(21) **Appl. No.:** **29/193,646**

(22) **Filed:** **Nov. 12, 2003**

(30) **Foreign Application Priority Data**

May 13, 2003 (DE) ..... 4 03 03 509

(51) **LOC (8) Cl.** ..... **23-01**

(52) **U.S. Cl.** ..... **D23/238**

(58) **Field of Search** ..... D23/238-257;  
4/675-678; 137/801

(56) **References Cited**

**U.S. PATENT DOCUMENTS**

D233,235 S \* 10/1974 Arbon ..... D23/238  
D290,991 S \* 7/1987 Paul ..... D23/241  
D478,377 S \* 8/2003 Starck ..... D23/304

D487,133 S \* 2/2004 Haug et al. .... D23/238  
D492,754 S \* 7/2004 Blattner ..... D23/238  
D500,841 S \* 1/2005 Citterio ..... D23/238

\* cited by examiner

*Primary Examiner*—Louis S. Zarfaz

*Assistant Examiner*—Gregory Andoll

(74) *Attorney, Agent, or Firm*—Duane Morris LLP

(57) **CLAIM**

The ornamental design for a sanitary faucet, as shown and described.

**DESCRIPTION**

FIG. 1: is a side perspective view of the sanitary faucet showing my new design;

FIG. 2: is a side elevation view thereof (the opposite side being a mirror image);

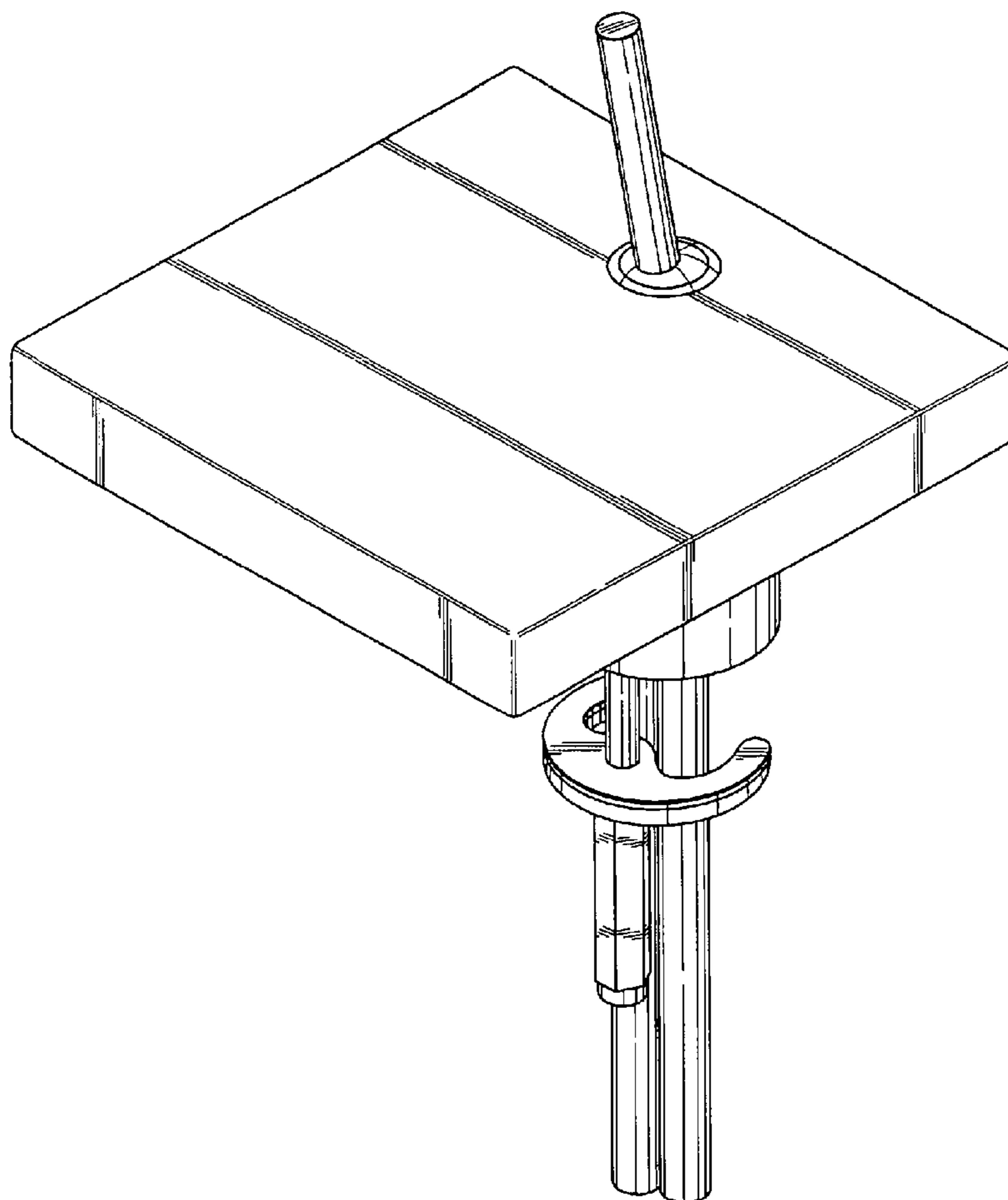
FIG. 3: is a front elevation view thereof;

FIG. 4: is a rear elevation view thereof;

FIG. 5: is a top plan view thereof; and,

FIG. 6: is a bottom plan view thereof;

**1 Claim, 5 Drawing Sheets**



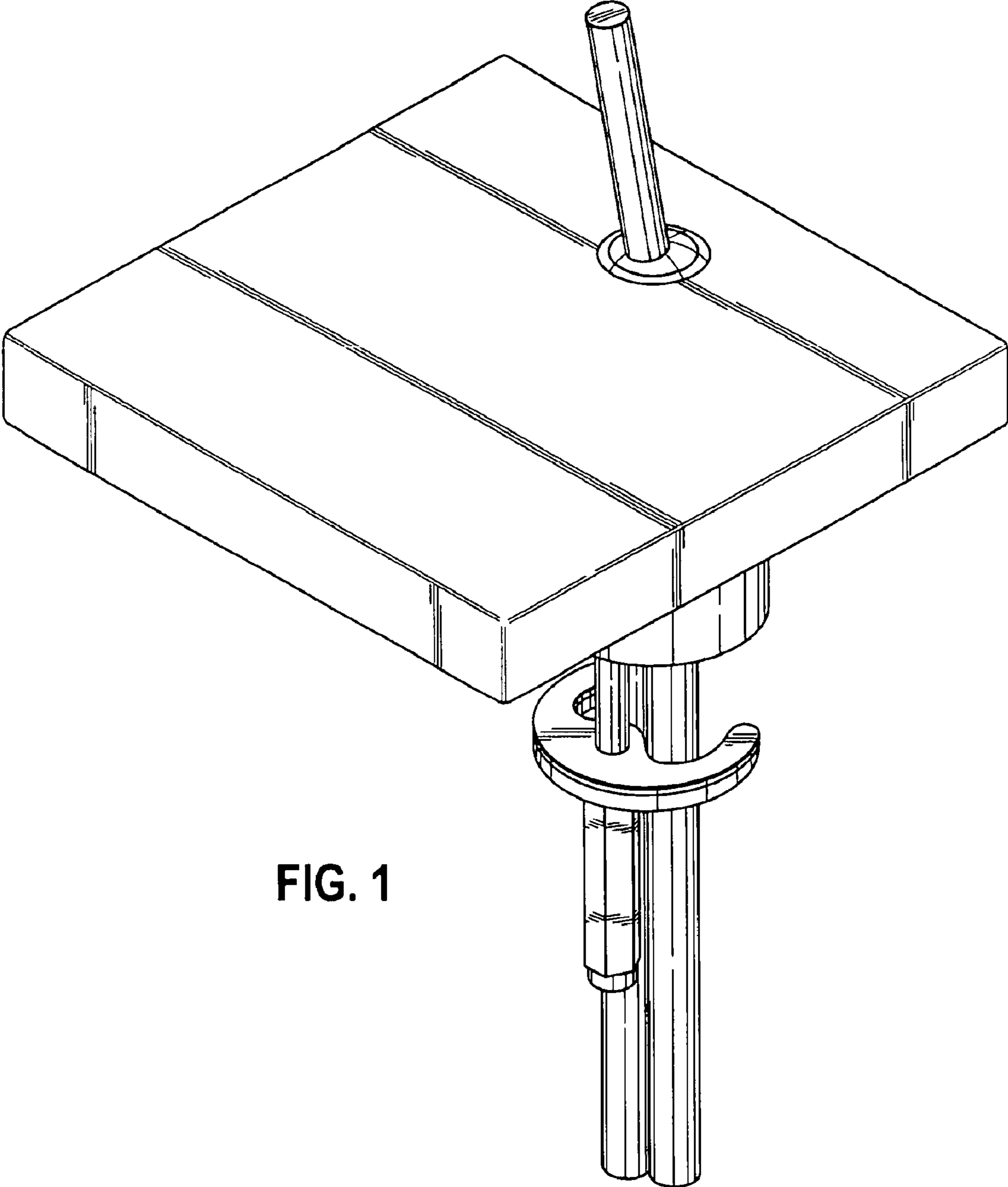


FIG. 1

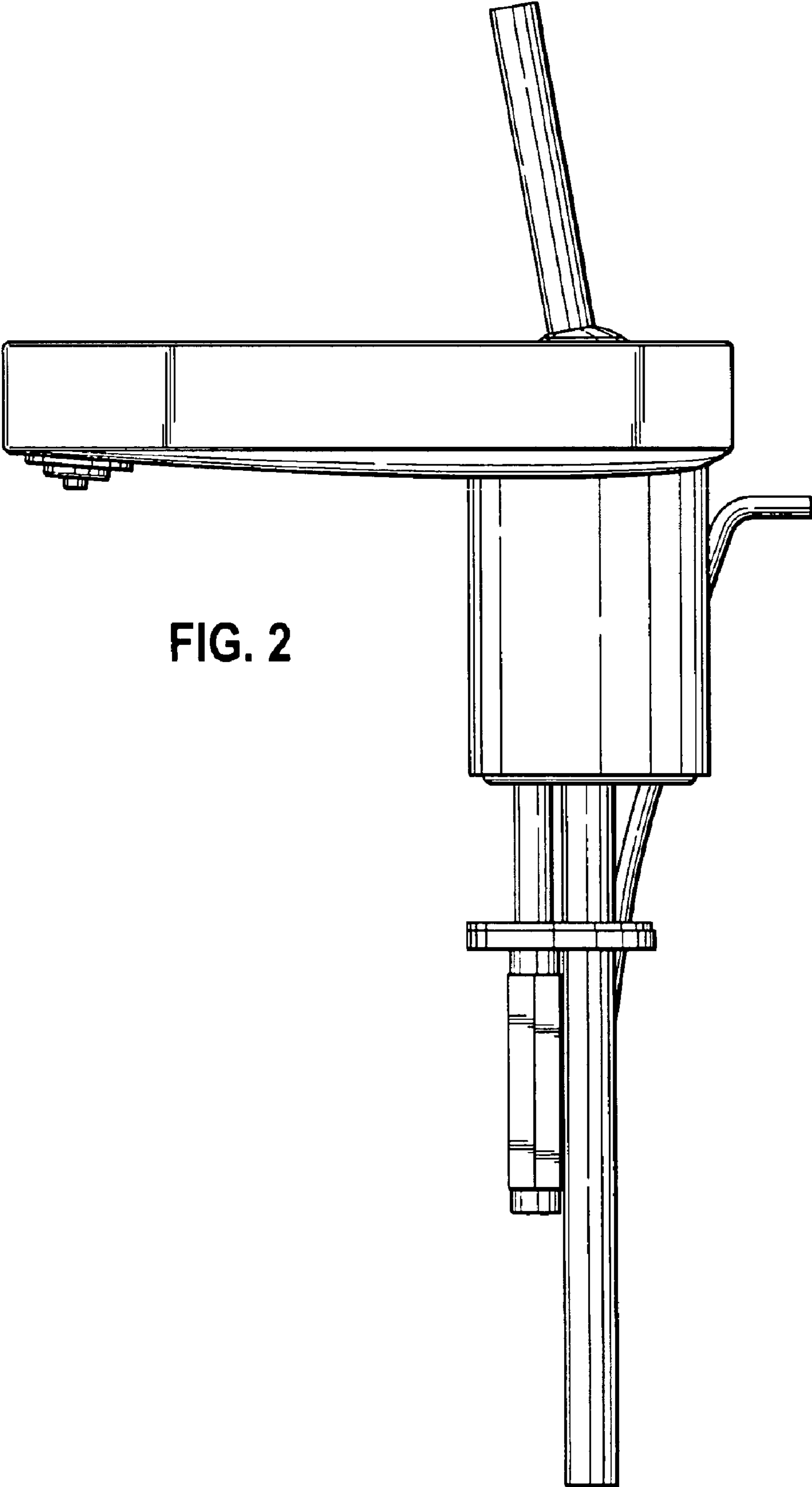


FIG. 2

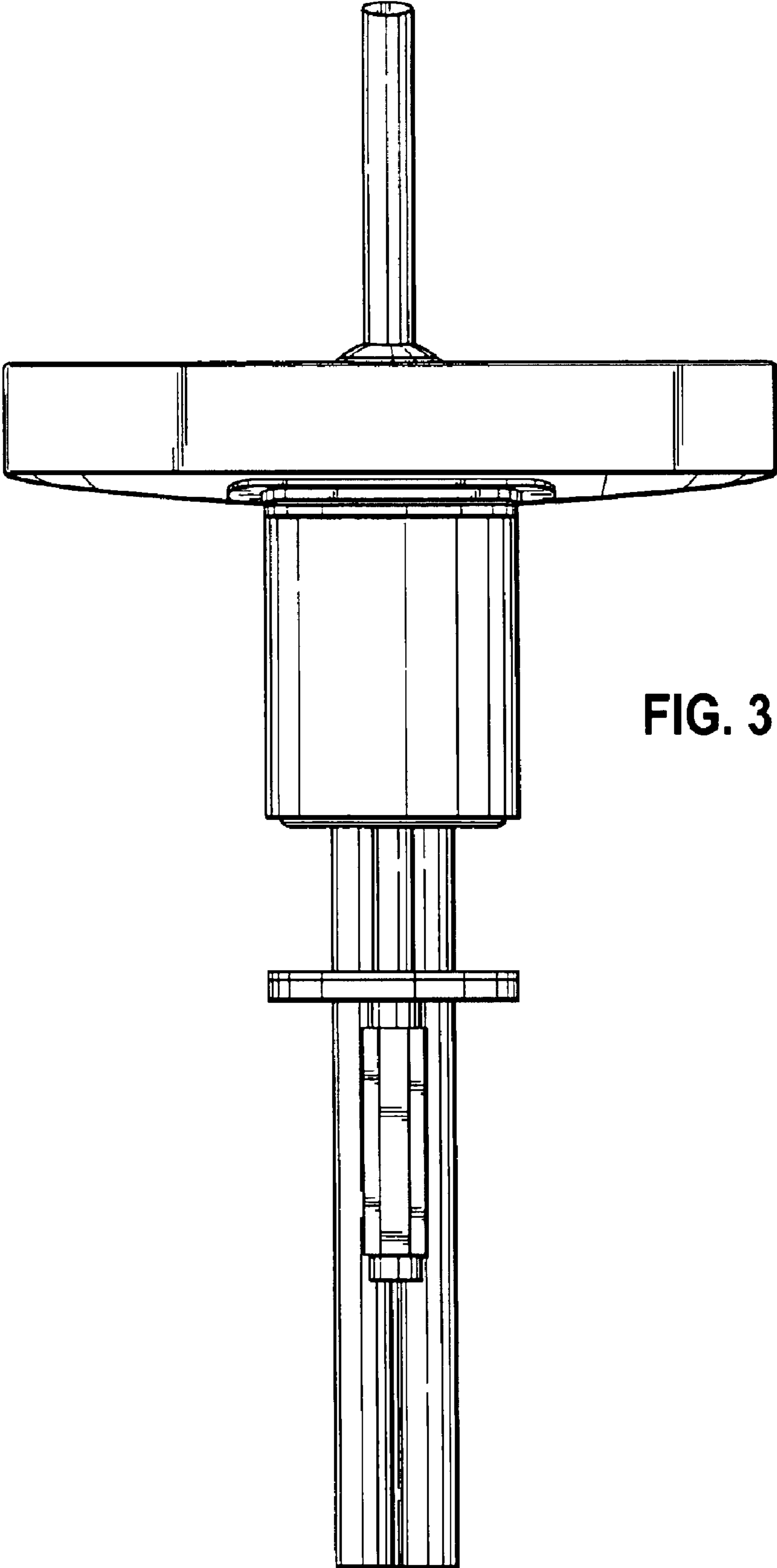


FIG. 3

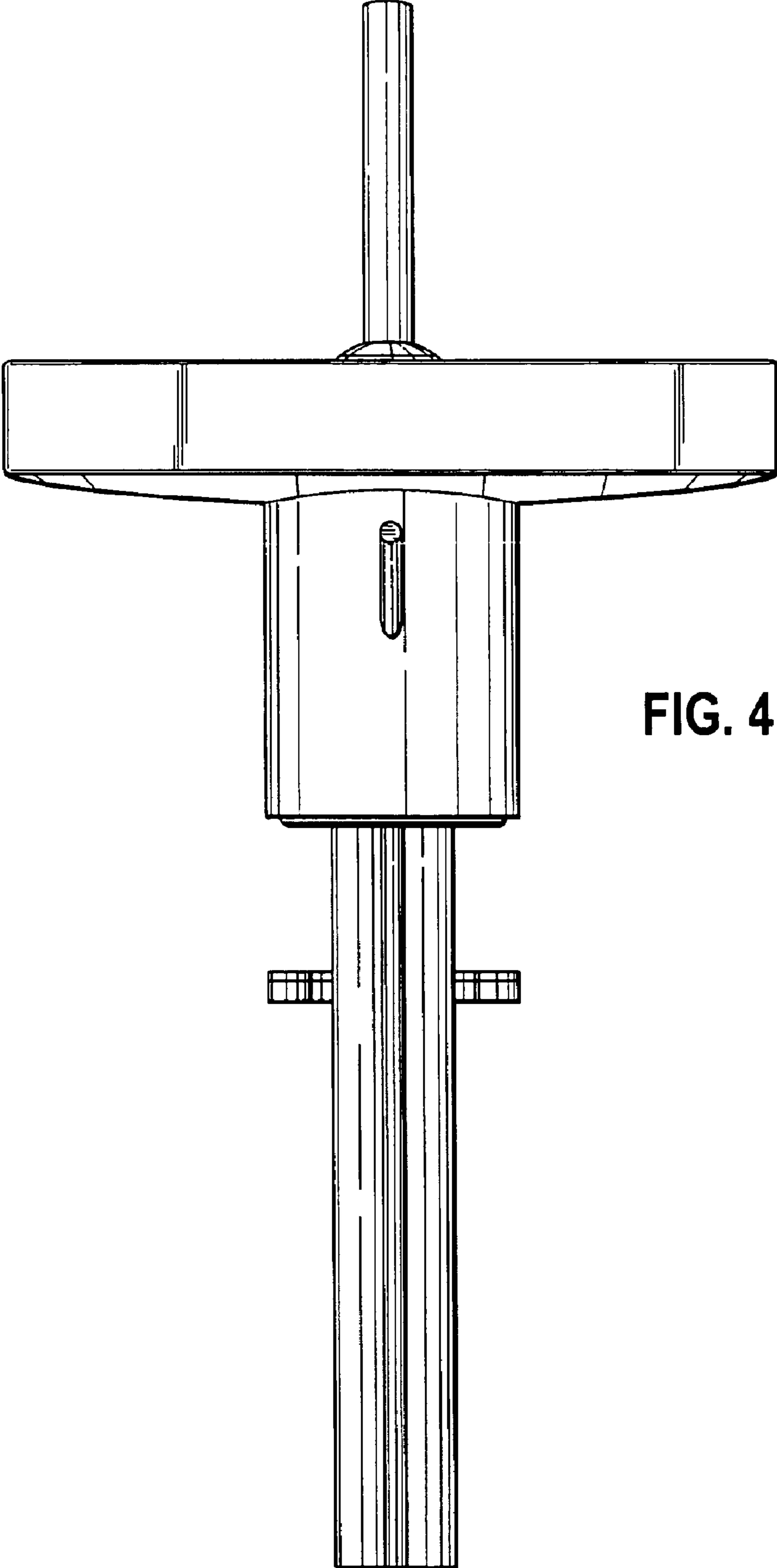


FIG. 4

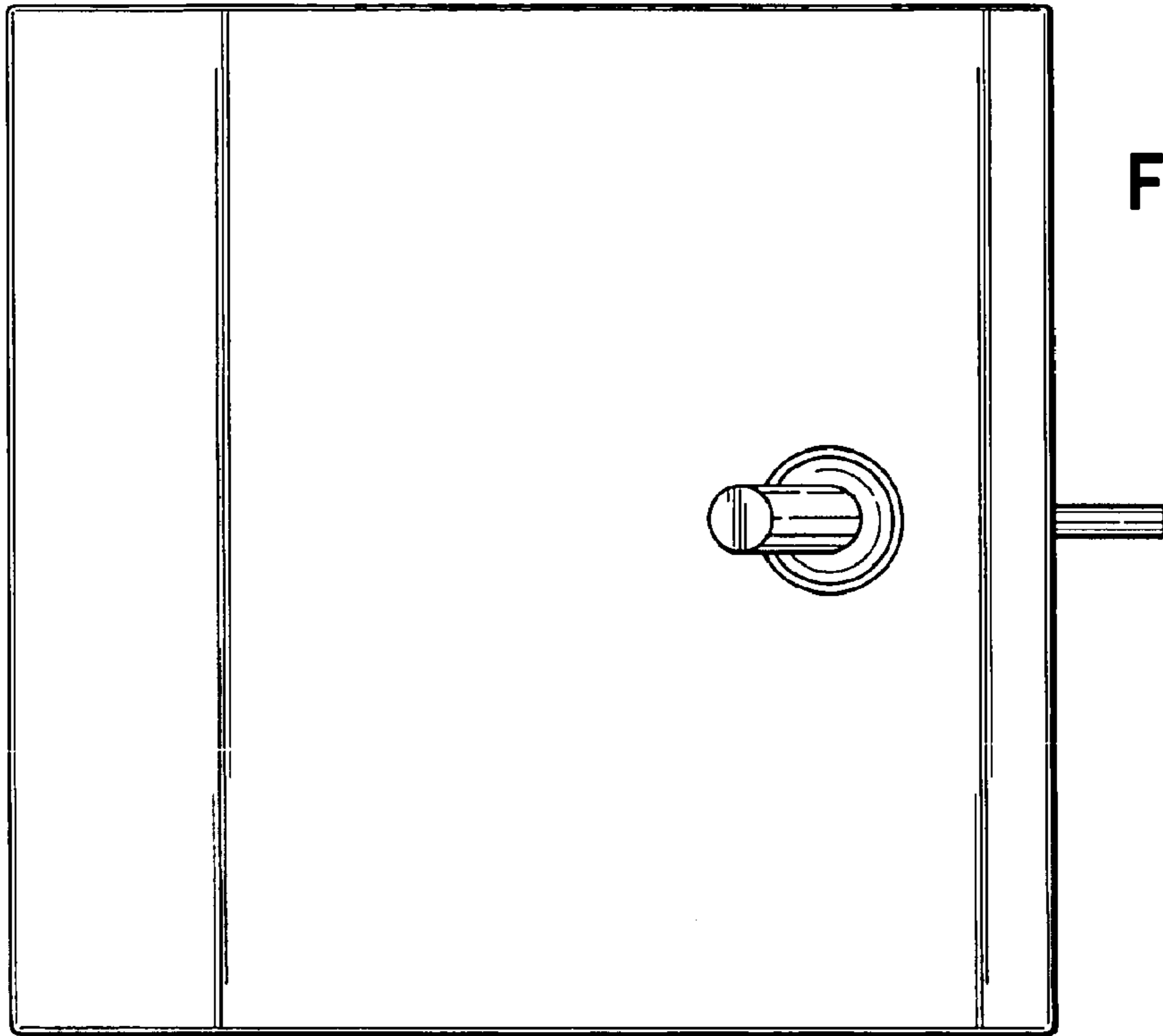


FIG. 5

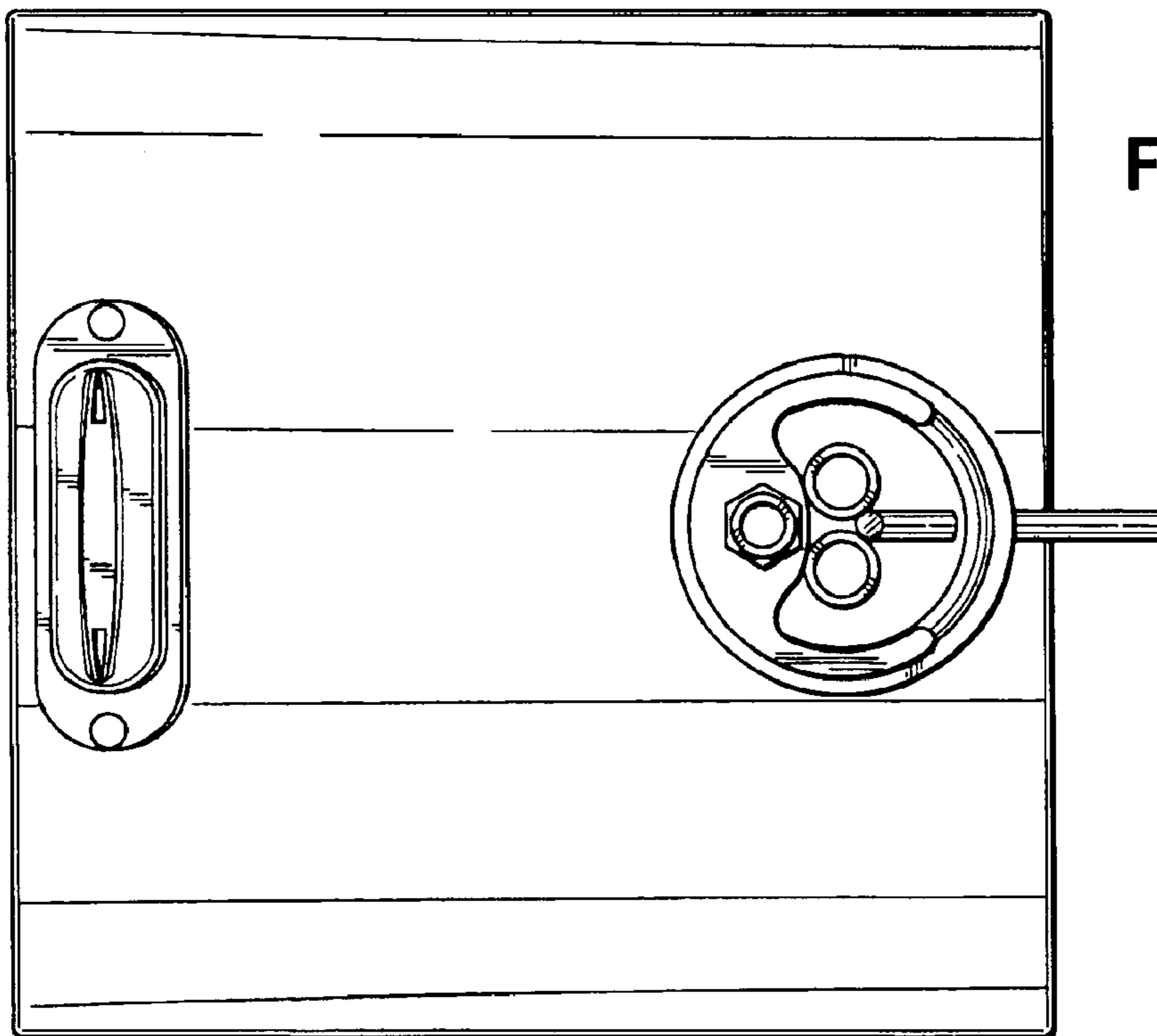


FIG. 6