

US00D509564S

(12) **United States Design Patent**  
**Jorgensen et al.**

(10) **Patent No.: US D509,564 S**

(45) **Date of Patent: \*\* Sep. 13, 2005**

(54) **TUB MIXER**

(75) Inventors: **Torben S. Jorgensen**, Kobenhavn K (DK); **Mikal Harrsen**, Kobenhavn V (DK)

(73) Assignee: **Damixa A/S** (DK)

(\*\*) Term: **14 Years**

(21) Appl. No.: **29/189,798**

(22) Filed: **Sep. 11, 2003**

(30) **Foreign Application Priority Data**

Mar. 12, 2003 (DK) ..... DA 2003 00189

(51) **LOC (8) Cl. .... 23-01**

(52) **U.S. Cl. .... D23/238**

(58) **Field of Search .... D23/238-257;**  
4/675-687; 137/807, 615

(56) **References Cited**

**U.S. PATENT DOCUMENTS**

D67,520 S \* 6/1925 Harper ..... D23/243  
D114,556 S \* 5/1939 Morgan ..... D23/228

D315,398 S \* 3/1991 Strignano ..... D23/241  
D475,123 S \* 5/2003 Citterio ..... D23/241  
D493,210 S \* 7/2004 Citterio ..... D23/238

\* cited by examiner

*Primary Examiner*—Louis S. Zarfes

*Assistant Examiner*—Gregory Andoll

(74) *Attorney, Agent, or Firm*—Kwadjo Adusei-Poku; Lloyd D. Doigan

(57) **CLAIM**

The ornamental design for a tub mixer, as shown and described.

**DESCRIPTION**

FIG. 1 is a front perspective view of a tub mixer showing our new design;

FIG. 2 is a right side elevational view thereof, the left side elevational view being a mirror image thereof;

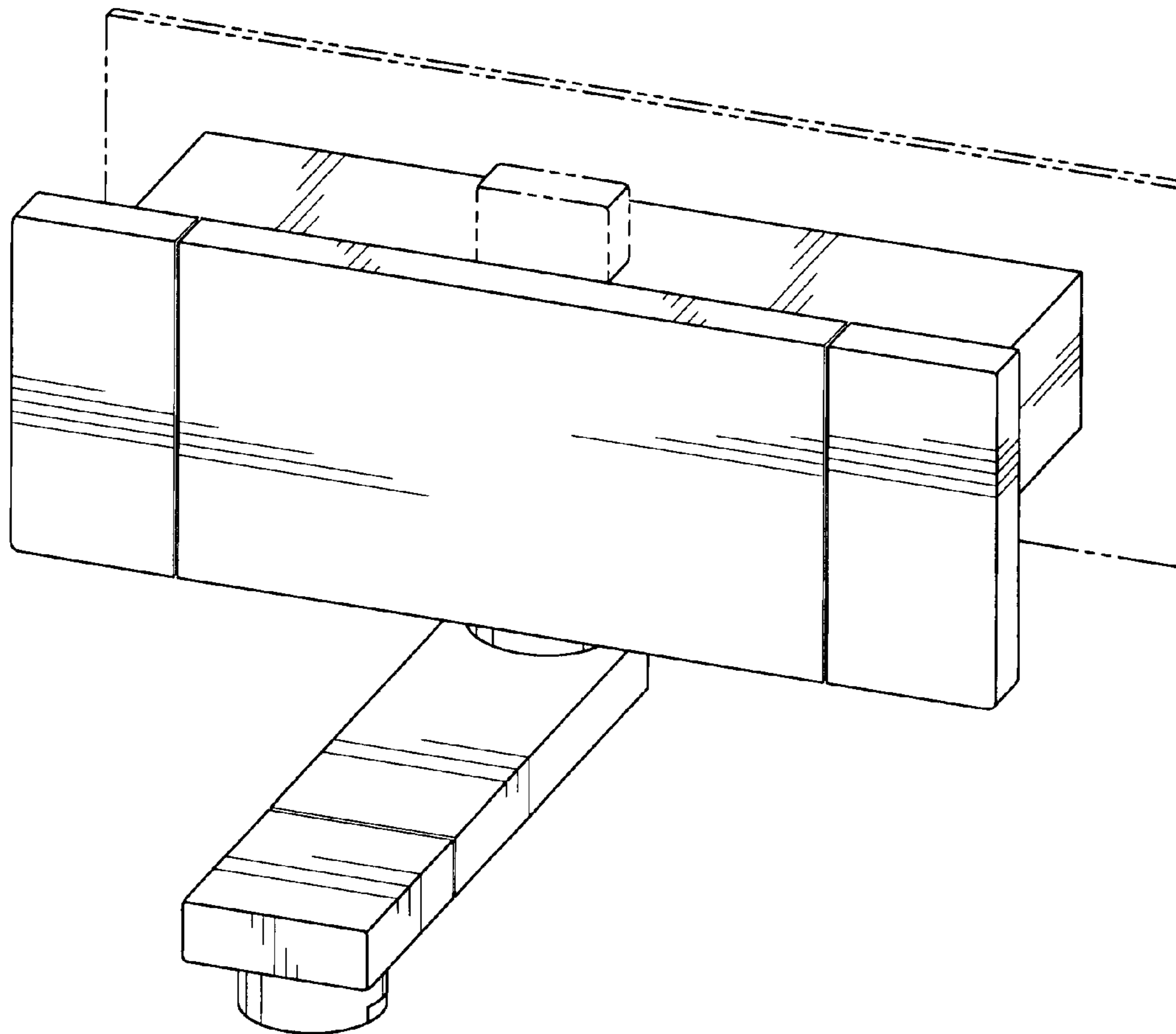
FIG. 3 is front elevational view thereof;

FIG. 4 is a rear elevational view thereof; and,

FIG. 5 is a top plan view thereof.

The broken lines in the Figures are for illustrative purposes only and form no part of the claimed design.

**1 Claim, 3 Drawing Sheets**



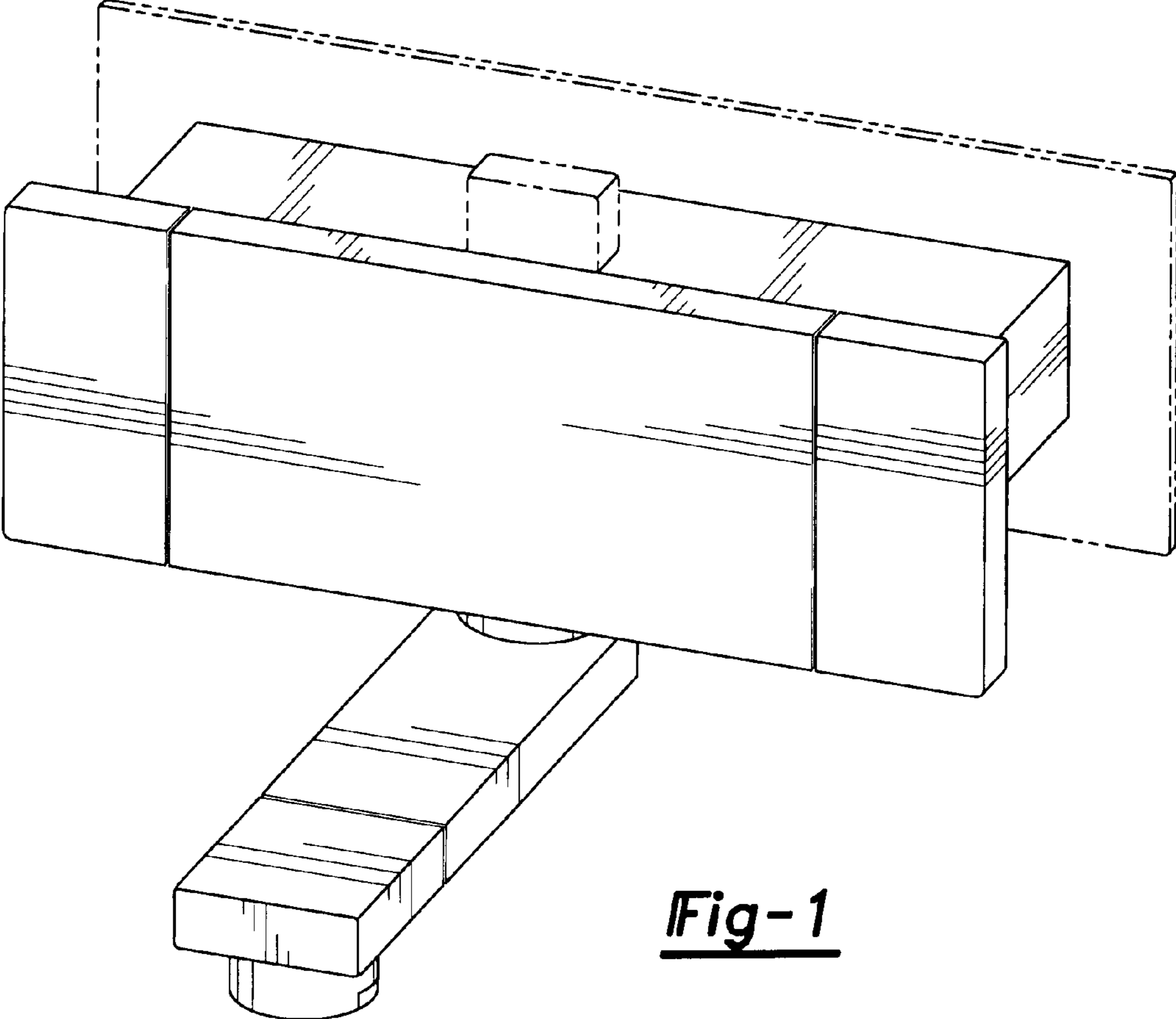


Fig-1

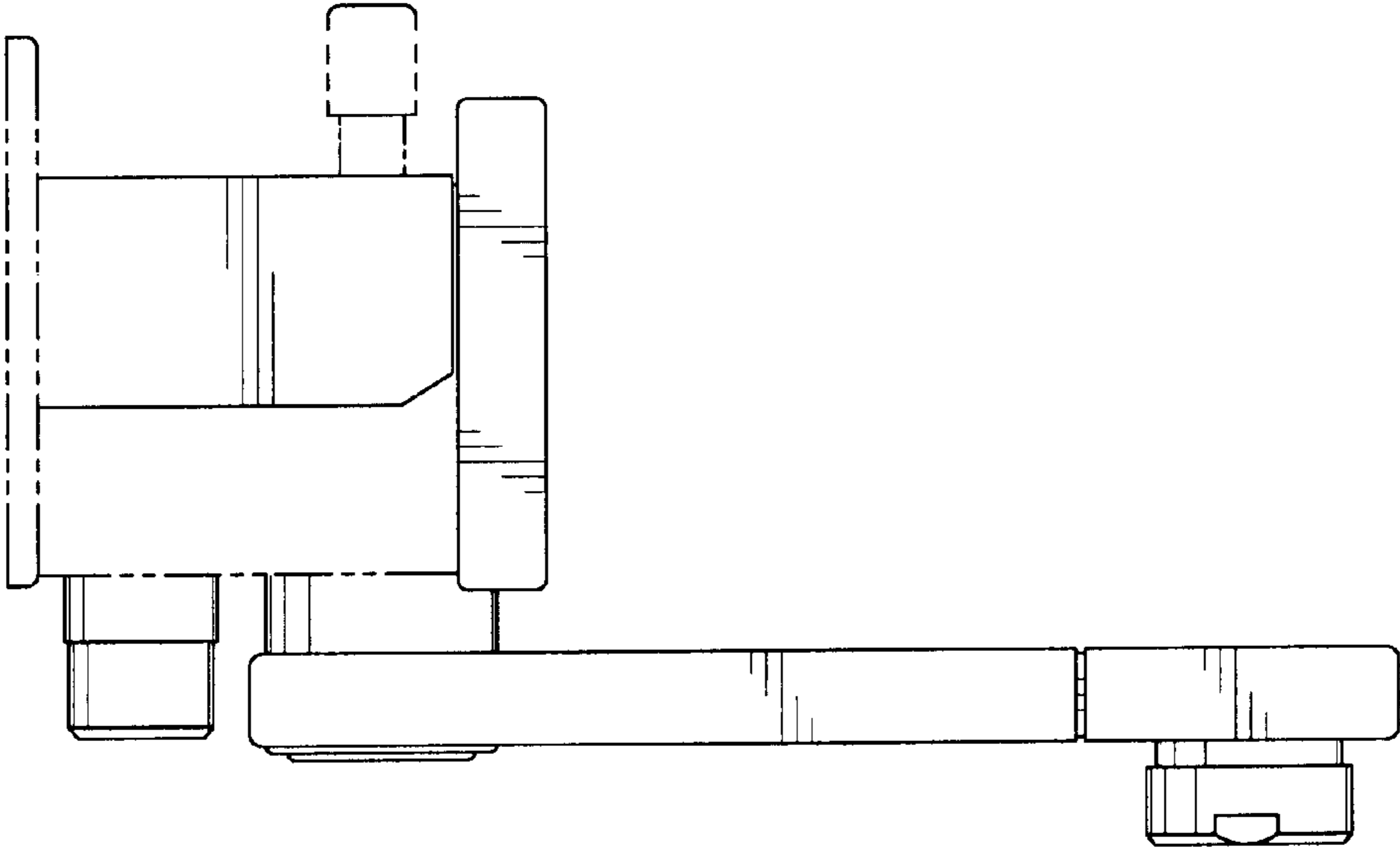


Fig-2

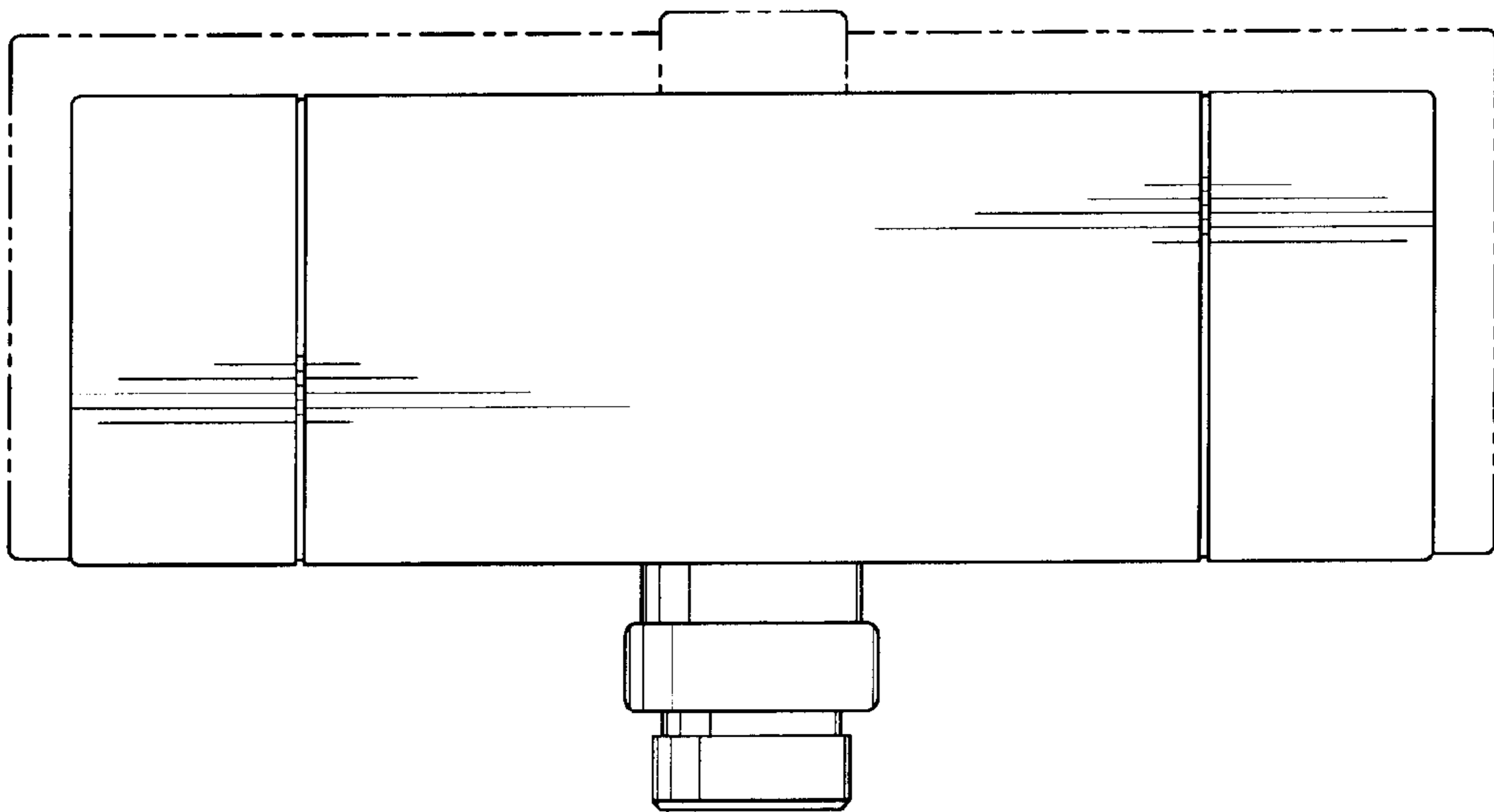


Fig-3

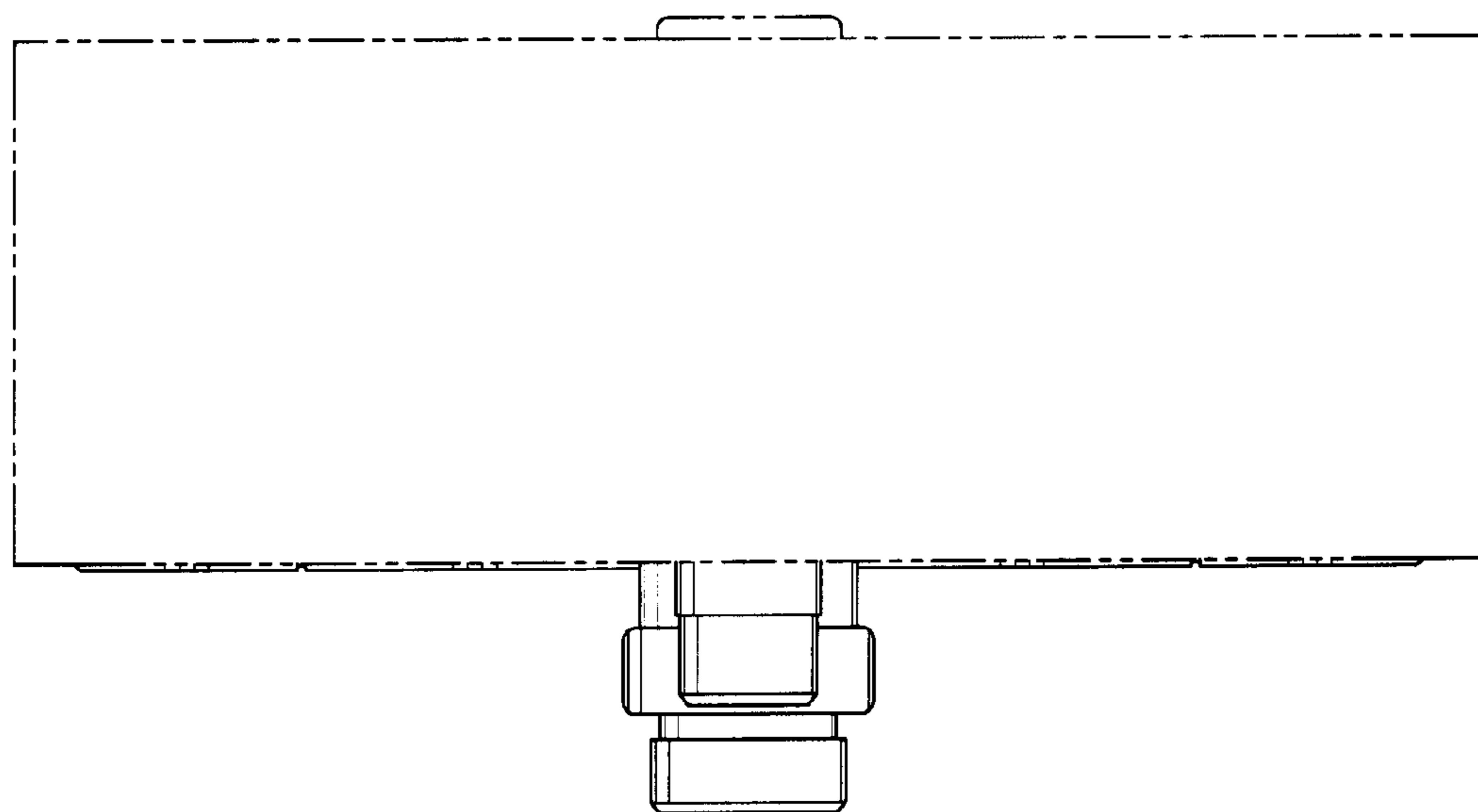


Fig-4

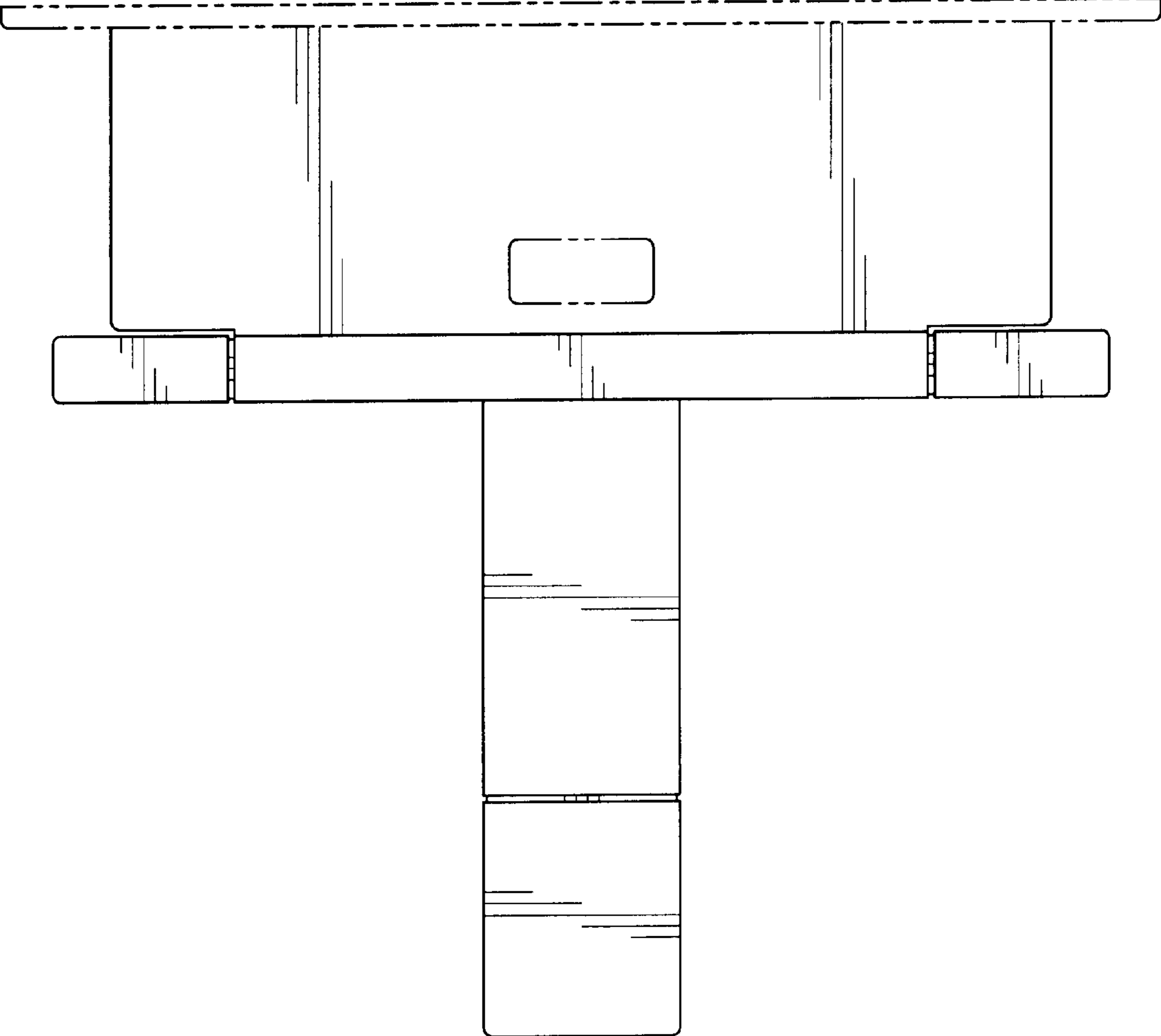


Fig-5