

US00D509562S

(12) **United States Design Patent**
Kobi et al.

(10) **Patent No.: US D509,562 S**
(45) **Date of Patent: ** Sep. 13, 2005**

(54) **FIXED SHOWERHEAD**
(75) Inventors: **Rafael Kobi**, Hod-Hasharon (IL);
Shachar Golan, Walled Lake, MI (US);
Mordechai Lev, West Bloomfield, MI
(US); **John E. Petrovic**, Hillsdale, MI
(US)

(73) Assignee: **Alsons Corporation**, Hillsdale, MI
(US)

(**) Term: **14 Years**

(21) Appl. No.: **29/204,793**

(22) Filed: **May 4, 2004**

(51) **LOC (8) Cl. 23-01**

(52) **U.S. Cl. D23/213; D23/229; D23/223**

(58) **Field of Search D23/213, 223,
D23/229, 230; 239/394, 282, 283**

(56) **References Cited**

U.S. PATENT DOCUMENTS

1,078,283	A	11/1913	Hilfiker	
1,446,887	A	2/1923	Donovan	
1,893,435	A	1/1933	Neal	
2,073,307	A	* 3/1937	Isenberg	239/282
2,588,255	A	3/1952	Larsh	
3,471,872	A	10/1969	Symmons	
4,091,998	A	* 5/1978	Peterson	239/283
4,303,201	A	12/1981	Elkins et al.	
4,752,975	A	6/1988	Yates	
4,914,759	A	* 4/1990	Goff	4/605

4,956,883	A	9/1990	Lane	
5,012,536	A	5/1991	Rivera	
5,148,556	A	9/1992	Bottoms, Jr. et al.	
5,339,469	A	8/1994	Gilles	
D385,332	S	10/1997	Andrus	
5,788,160	A	* 8/1998	Woog	239/282
D418,200	S	* 12/1999	Ben-Tsur	D23/223
D433,097	S	10/2000	Tse	
6,286,158	B1	9/2001	Lin	
D454,617	S	3/2002	Curbbun et al.	
D465,262	S	11/2002	Hunter et al.	
D492,004	S	* 6/2004	Haug et al.	D23/213
2002/0109023	A1	8/2002	Thomas et al.	

* cited by examiner

Primary Examiner—Robin V. Taylor

(74) *Attorney, Agent, or Firm*—Edgar A. Zarins; Lloyd D. Doigan

(57) **CLAIM**

The ornamental design for a fixed showerhead, as shown and described.

DESCRIPTION

FIG. 1 is a perspective view of a fixed showerhead showing our new design;

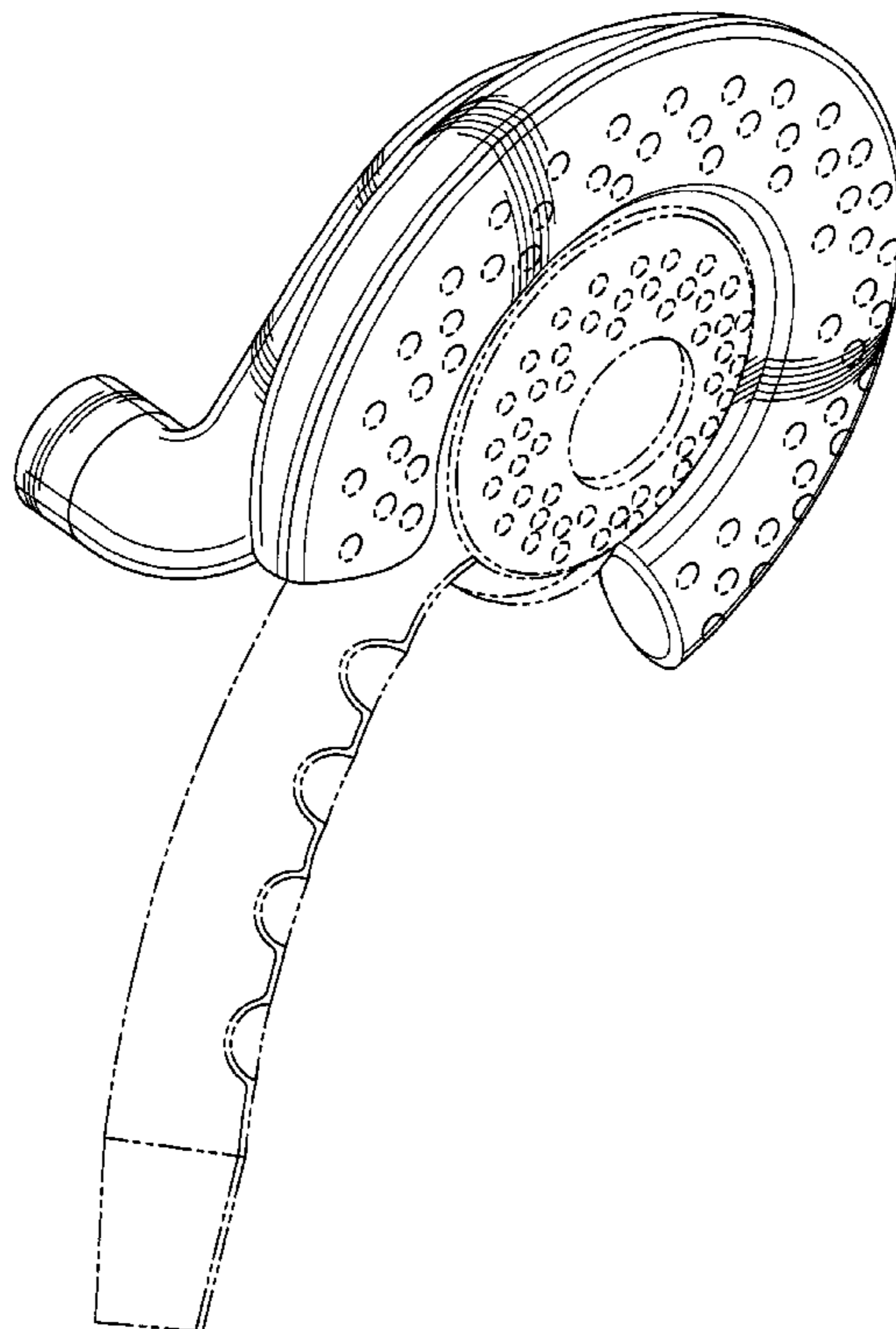
FIG. 2 is a right side view thereof, the opposite side being a mirror image of the side shown;

FIG. 3 is a front elevational view thereof; and,

FIG. 4 is a rear view thereof.

The broken line showing is for illustrative purposes only and forms no part of the claimed design.

1 Claim, 4 Drawing Sheets



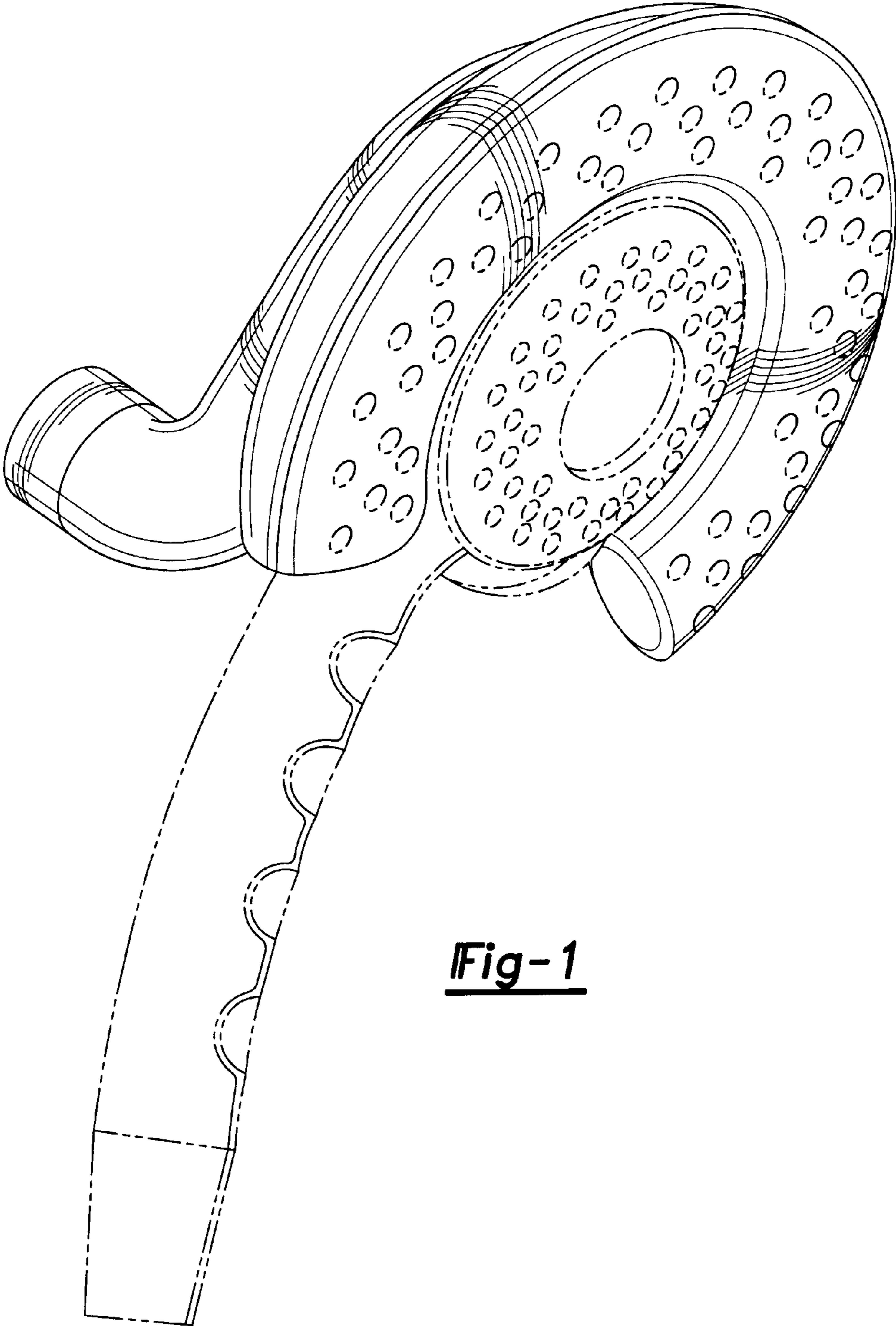


Fig-1

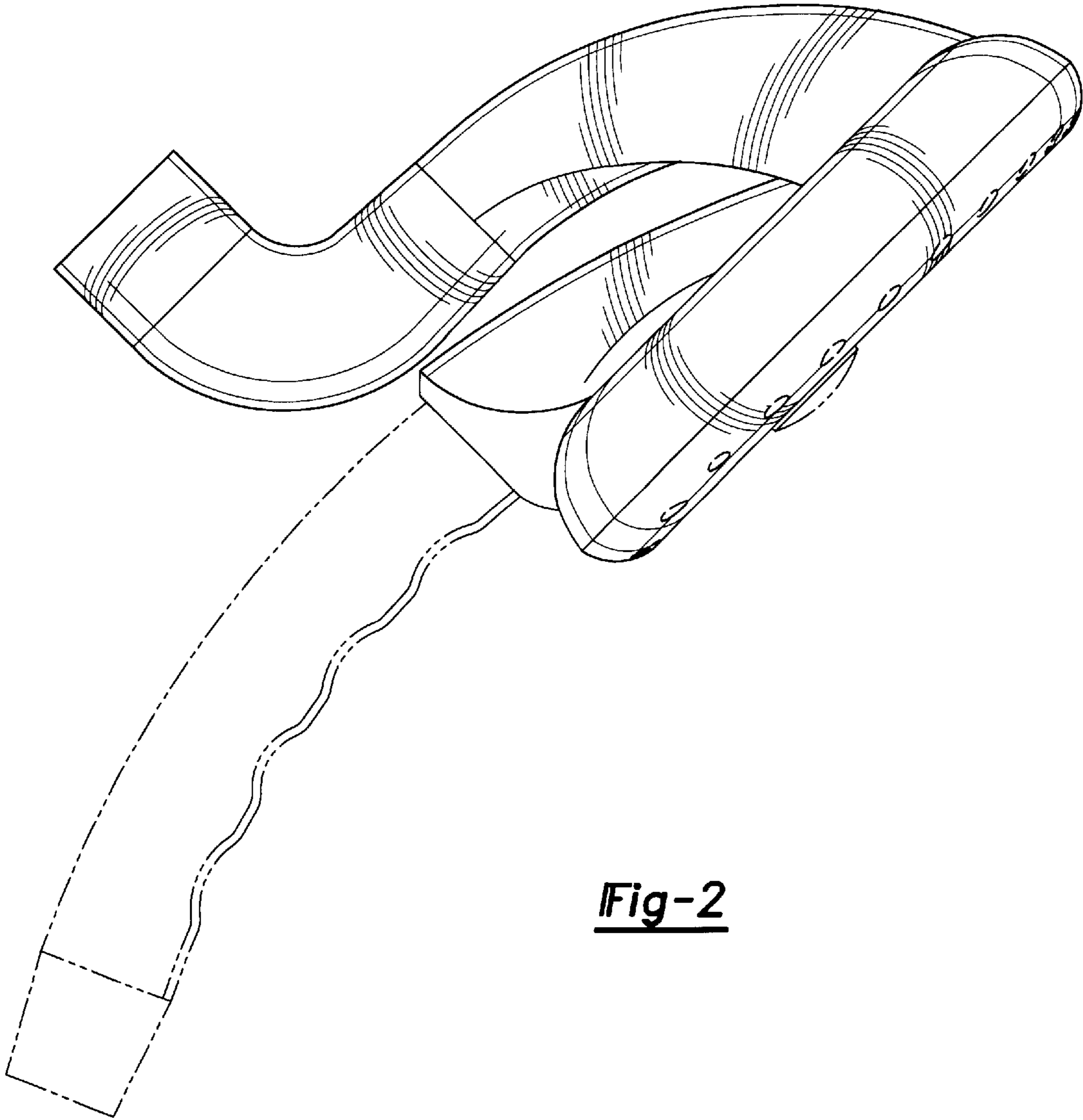


Fig-2

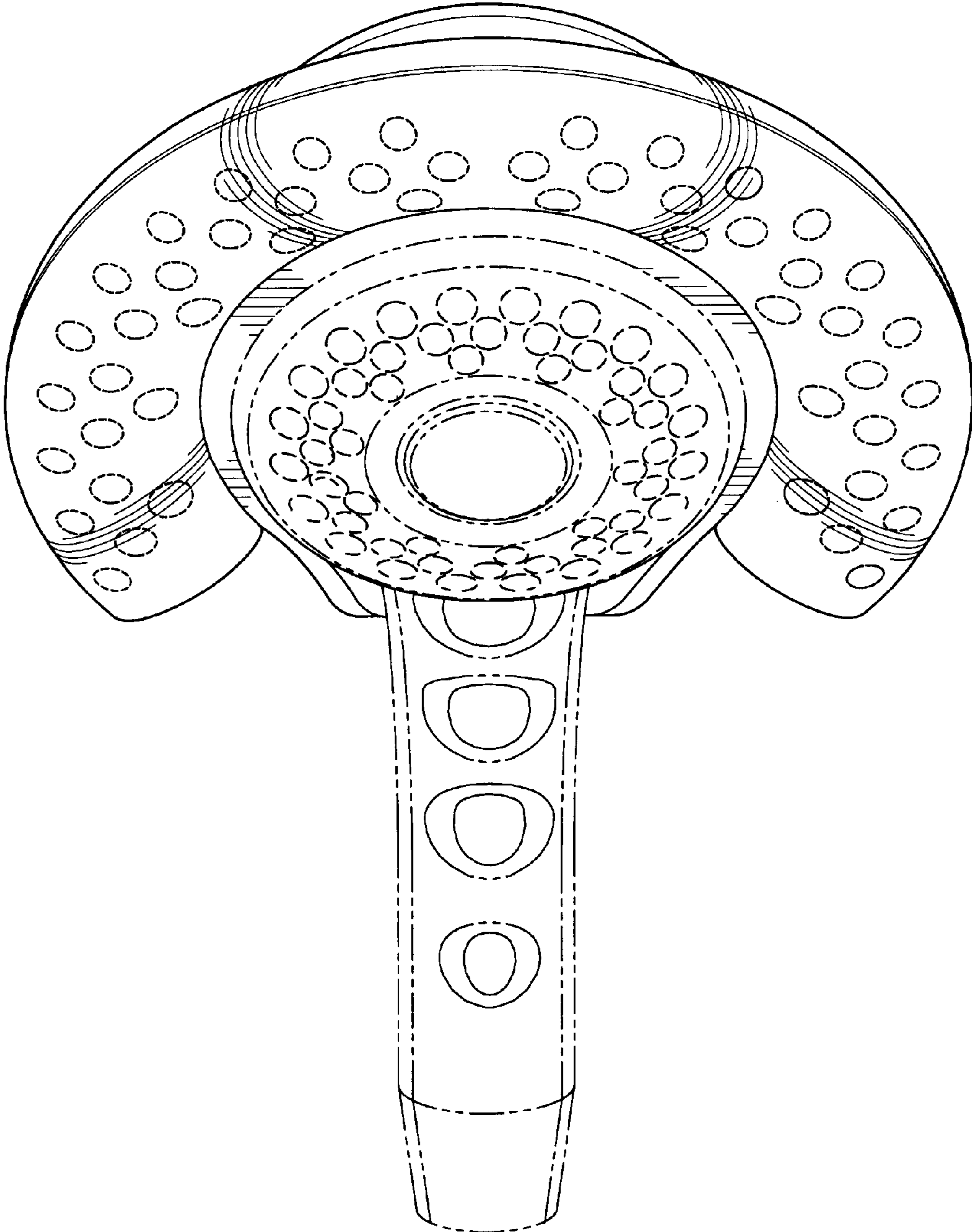


Fig-3

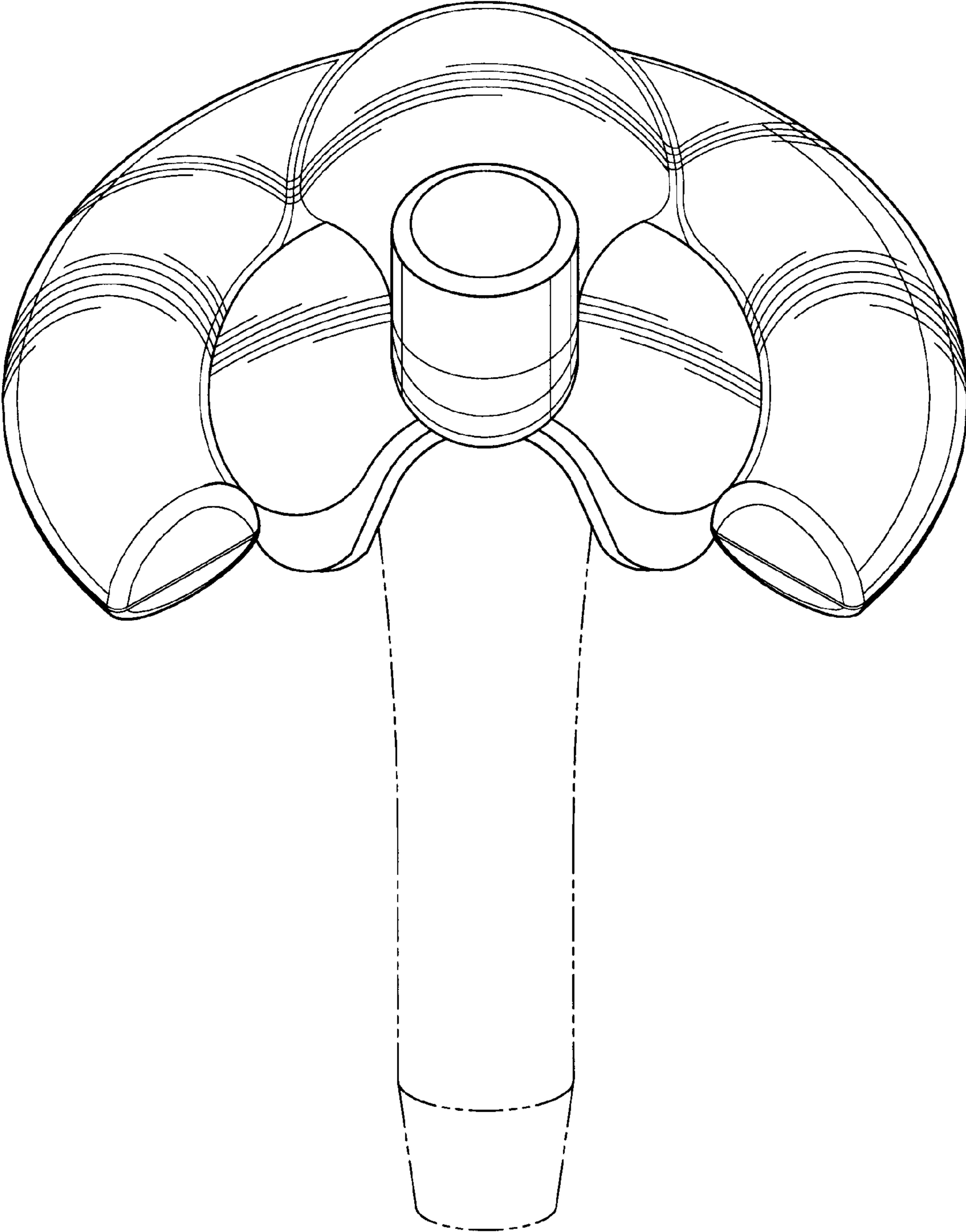


Fig-4