

US00D509560S

(12) **United States Design Patent** (10) **Patent No.:** **US D509,560 S**  
**Hubmann et al.** (45) **Date of Patent:** **\*\* Sep. 13, 2005**

(54) **DISPENSING HEAD**

(75) Inventors: **Curtis H. Hubmann**, Racine, WI (US);  
**Robert C. Halstead**, Enfield (GB);  
**Matthew E. Young**, Cambs (GB);  
**Elizabeth A. Slater**, Cambs (GB);  
**Richard I. Simpson**, Cambridge (GB);  
**Reuben Wu**, Saffron Walden (GB)

(73) Assignee: **JohnsonDiversey, Inc.**, Sturtevant, WI (US)

(\*\*) Term: **14 Years**

(21) Appl. No.: **29/199,637**

(22) Filed: **Feb. 17, 2004**

(51) **LOC (8) Cl.** ..... **23-01**

(52) **U.S. Cl.** ..... **D23/213; D23/225**

(58) **Field of Search** ..... D23/213, 223,  
D23/225, 226; 239/302, 308, 316-318,  
310, 324; D9/447, 448

(56) **References Cited**

**U.S. PATENT DOCUMENTS**

1,721,726 A	7/1929	Boe	
2,788,244 A	4/1957	Gilmour	299/84
2,991,939 A	7/1961	Packard	239/114
3,145,735 A	8/1964	Osrow et al.	137/604
3,412,937 A	11/1968	Chamberlain	239/142
3,863,843 A	2/1975	Hechler, IV	239/318
3,964,689 A	6/1976	Horvath, Jr.	239/318
4,457,689 A	7/1984	Hauger et al.	239/318
D295,214 S	4/1988	Miller	D23/225
D296,813 S	7/1988	Ellison	D23/225
D302,201 S	7/1989	Hengesbach	D23/213
D305,452 S	1/1990	Morgan	D23/225
4,901,923 A	2/1990	McRoskey et al.	239/123

D307,463 S	4/1990	Fushiya et al.	D23/225
4,969,603 A	11/1990	Norman	239/318
5,259,557 A	11/1993	Spriggs et al.	239/304
D358,865 S	5/1995	Englhard et al.	D23/213
D378,493 S	3/1997	Subbaraman et al.	D9/524
5,996,907 A	12/1999	Toetschinger et al.	239/305
D432,208 S	10/2000	Beaver et al.	D23/225
6,158,673 A	12/2000	Toetschinger et al.	239/305
6,182,911 B1	2/2001	Hanks et al.	239/318
D445,872 S	7/2001	Ketcham et al.	D23/225
D466,584 S	12/2002	Hubmann et al.	D23/213
D480,124 S	* 9/2003	Hubmann et al.	D23/213
D484,946 S	* 1/2004	Hubmann et al.	D23/225

\* cited by examiner

*Primary Examiner*—Robin V. Taylor

(74) *Attorney, Agent, or Firm*—Neil E. Hamilton; James J. Sales; Renee J. Rymarz

(57) **CLAIM**

The ornamental design for a dispensing head, as shown and described.

**DESCRIPTION**

The nature of this product is as a dispenser for liquids primarily used for cleaning and sanitizing solutions.

FIG. 1 is a right, rear, perspective view of a dispensing head embodying our new design;

FIG. 2 is a right side elevational view thereof, the left side elevational view thereof being a mirror image of the right side shown;

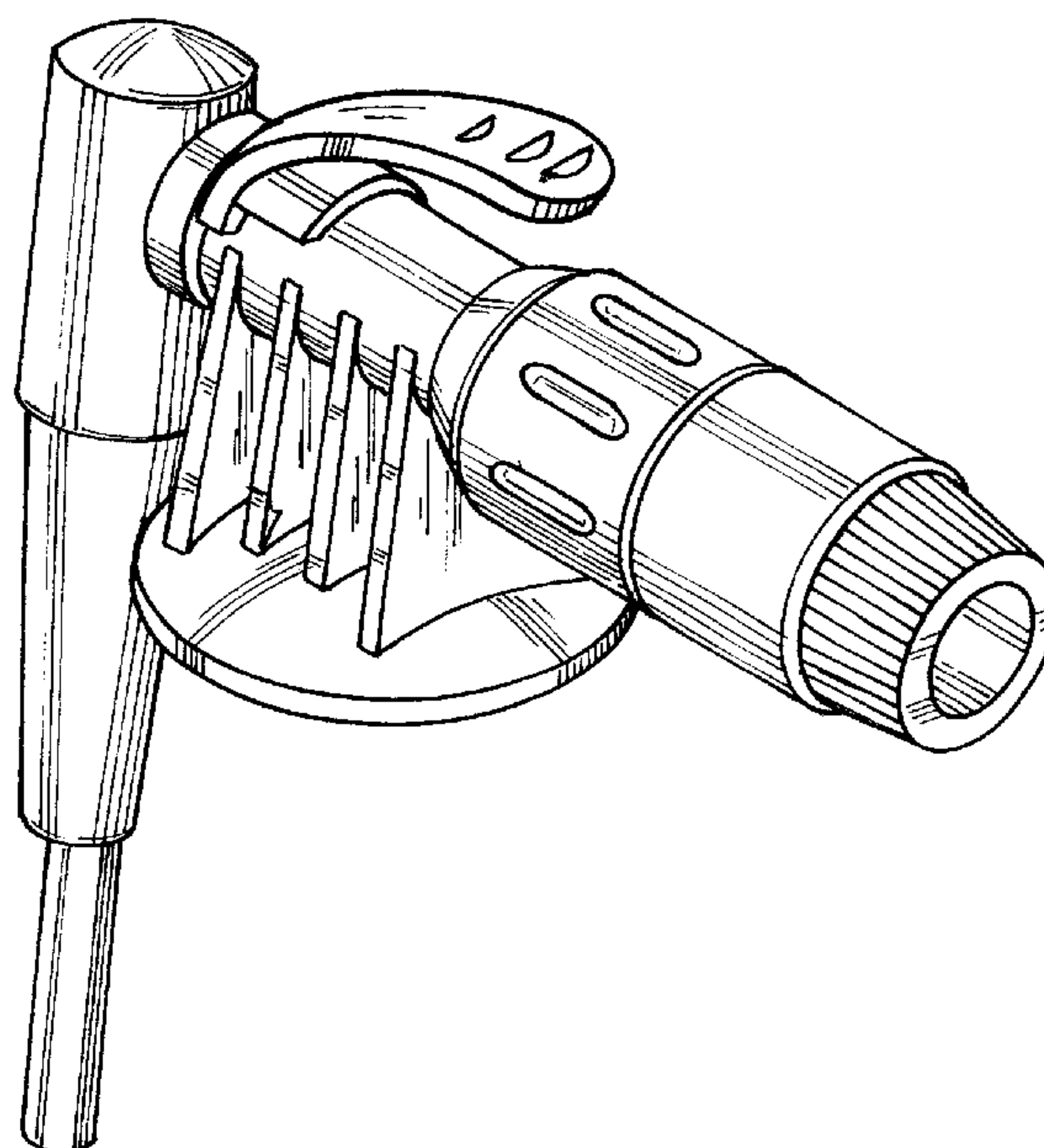
FIG. 3 is a rear elevational view thereof;

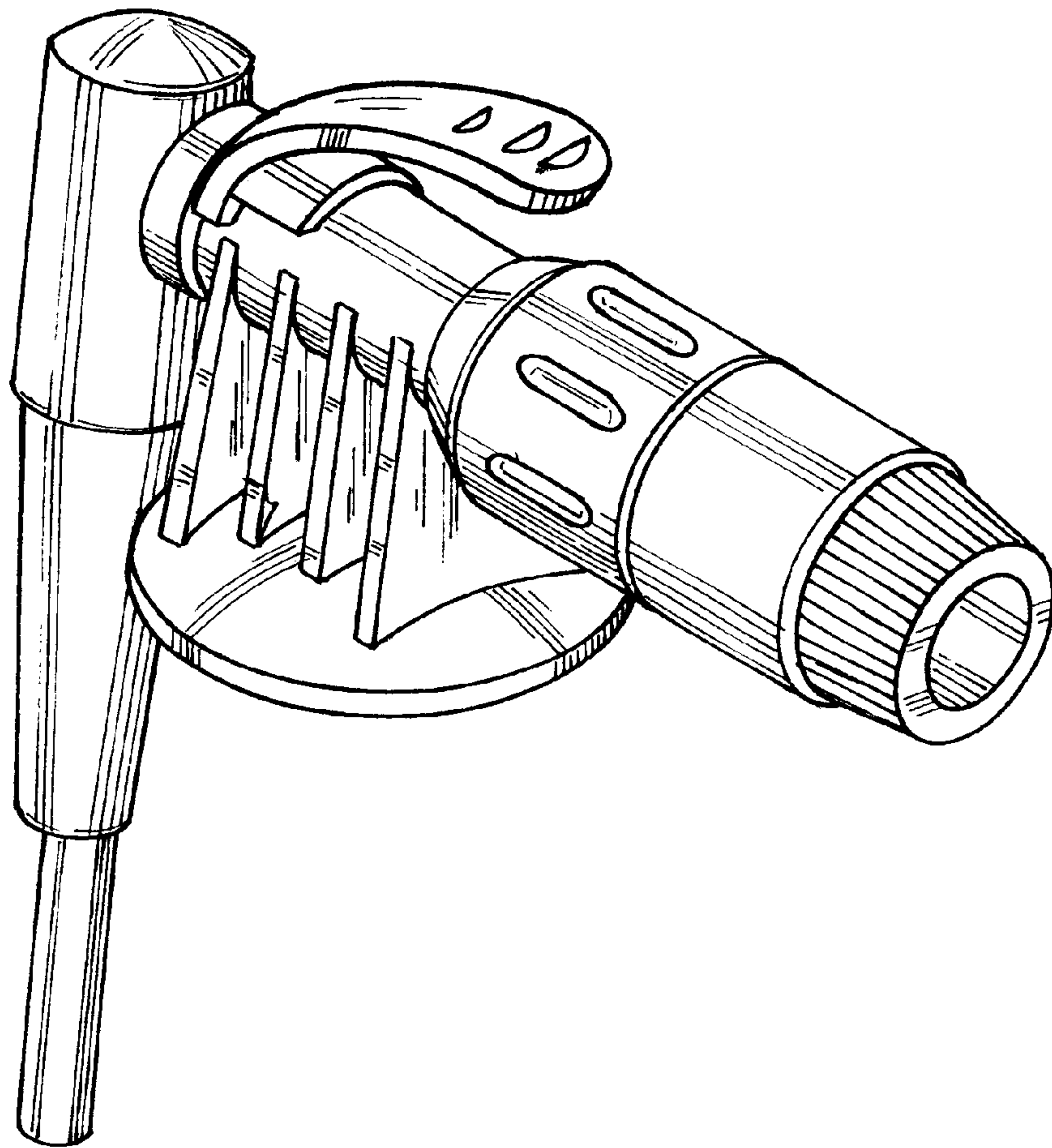
FIG. 4 is a front elevational view thereof; and,

FIG. 5 is a top plan view thereof.

The broken line showing of a bottle is for illustrative purposes only and forms no part of the claimed design.

**1 Claim, 3 Drawing Sheets**





*FIG. 1*

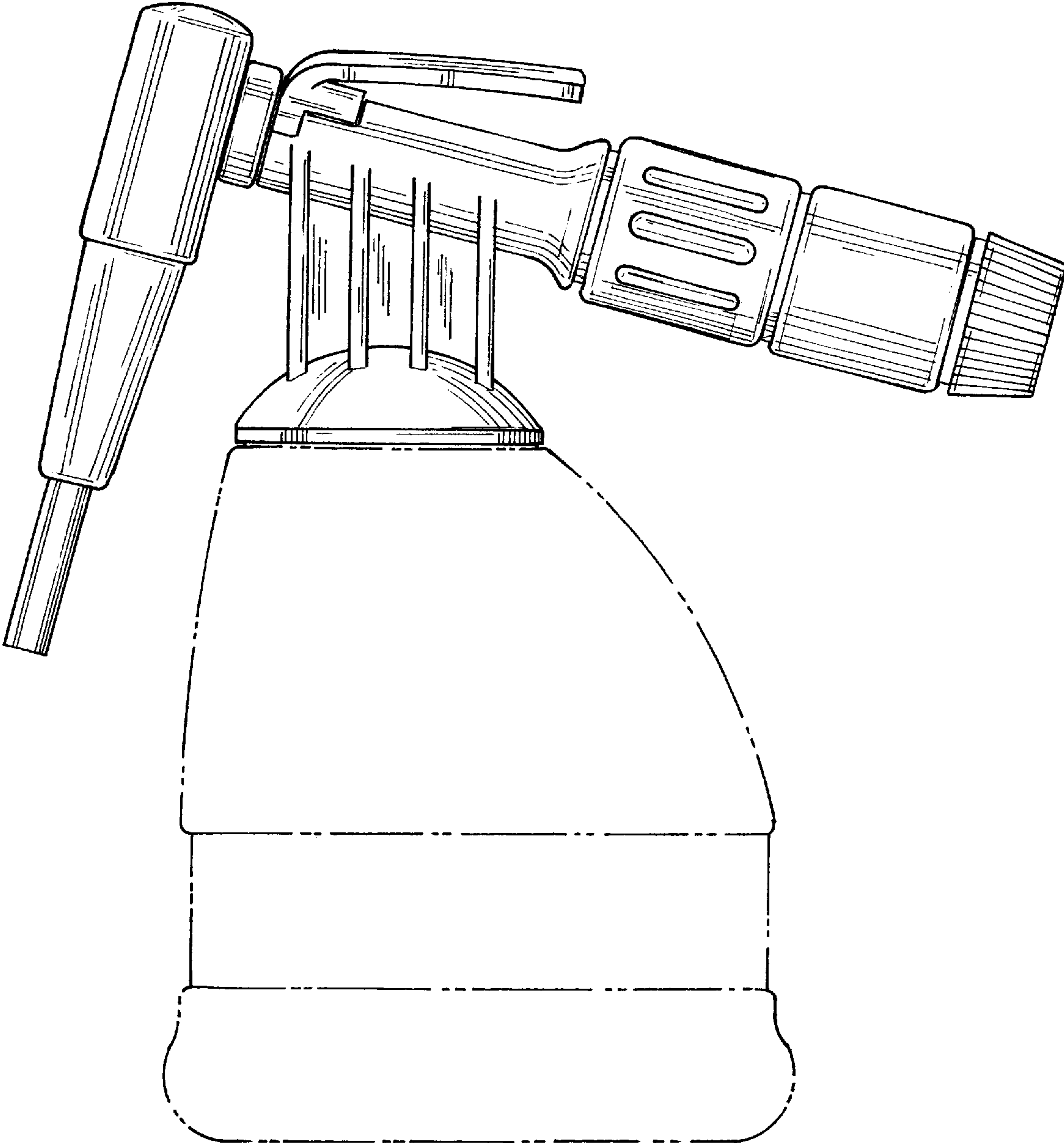


FIG. 2

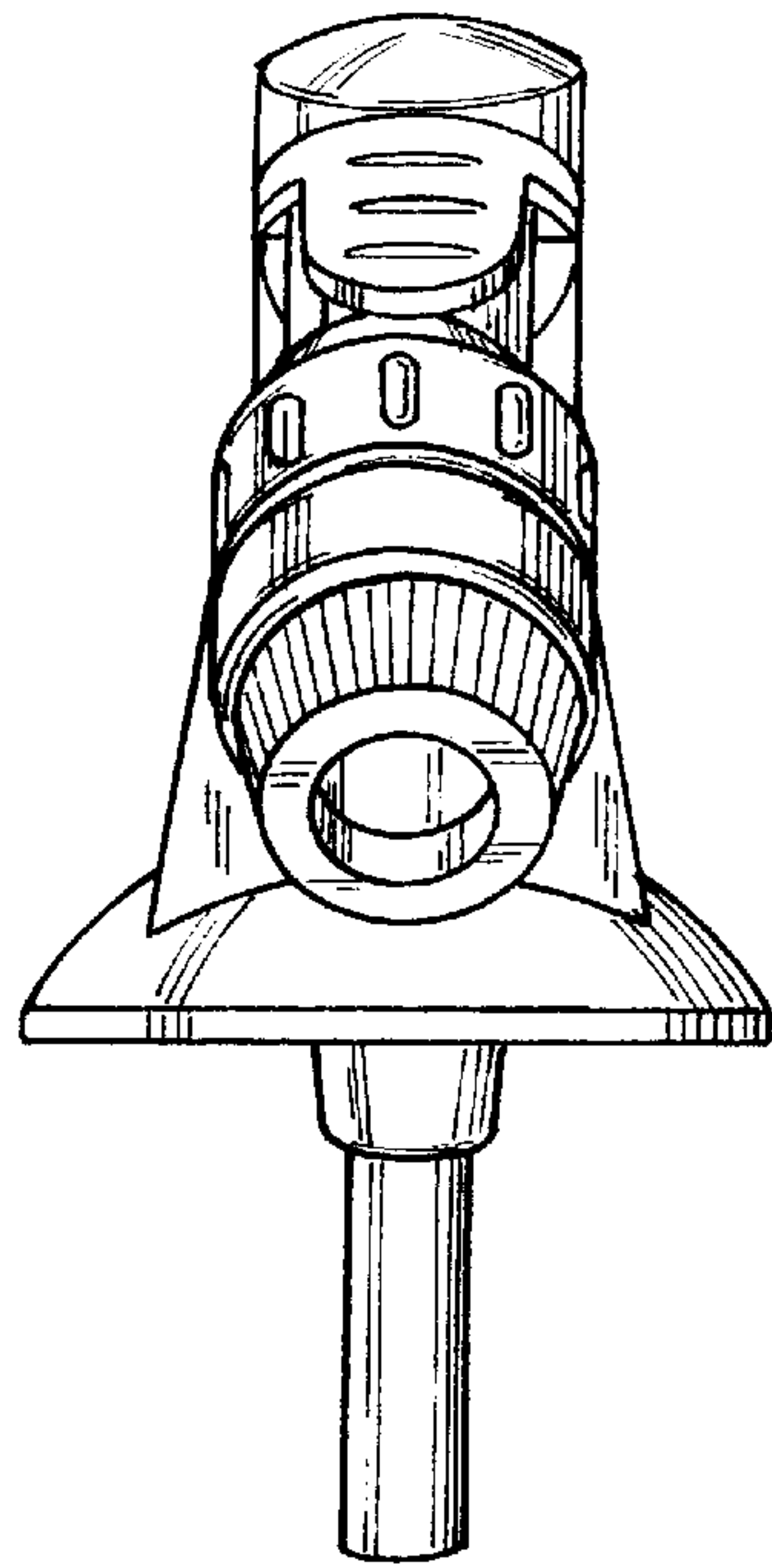


FIG. 3

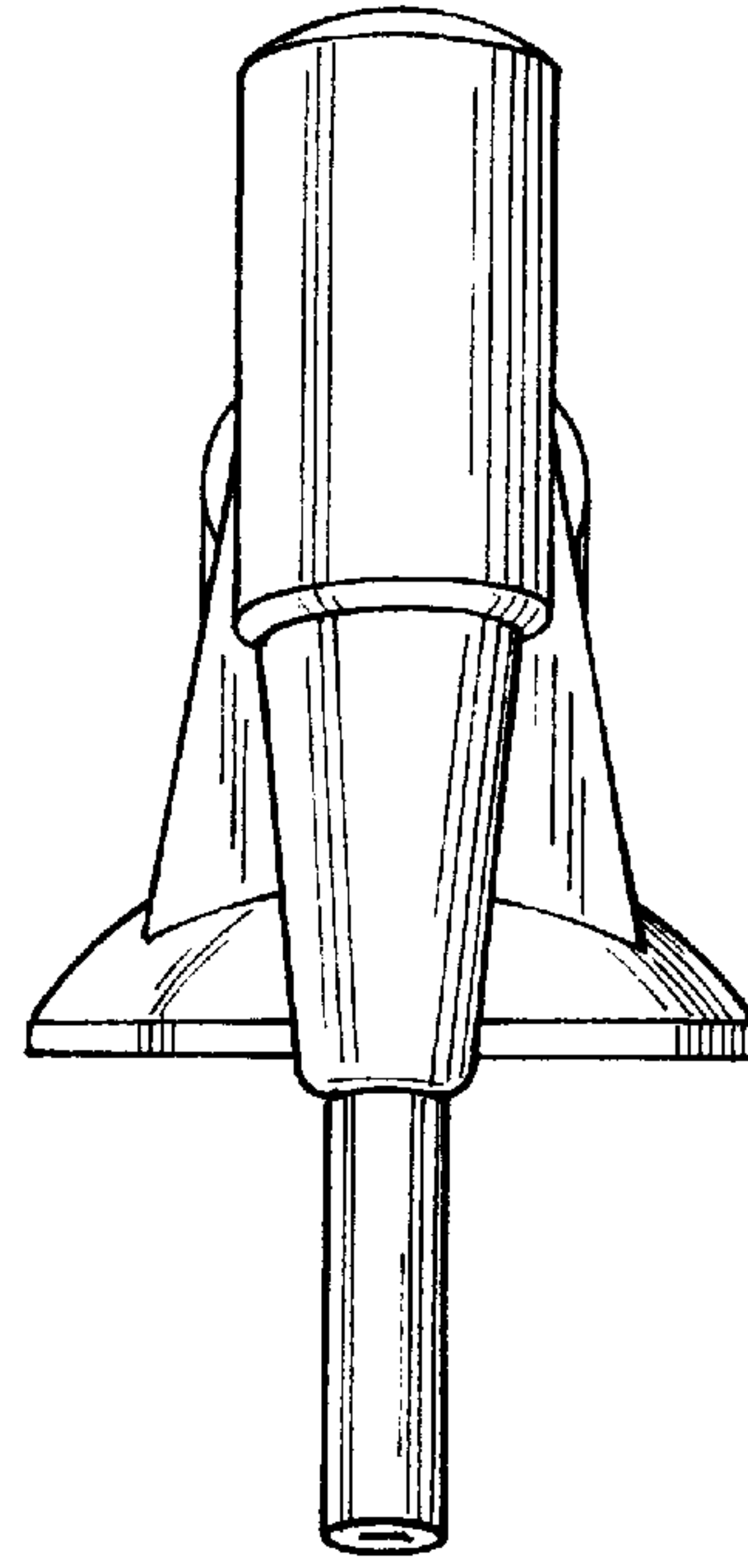


FIG. 4

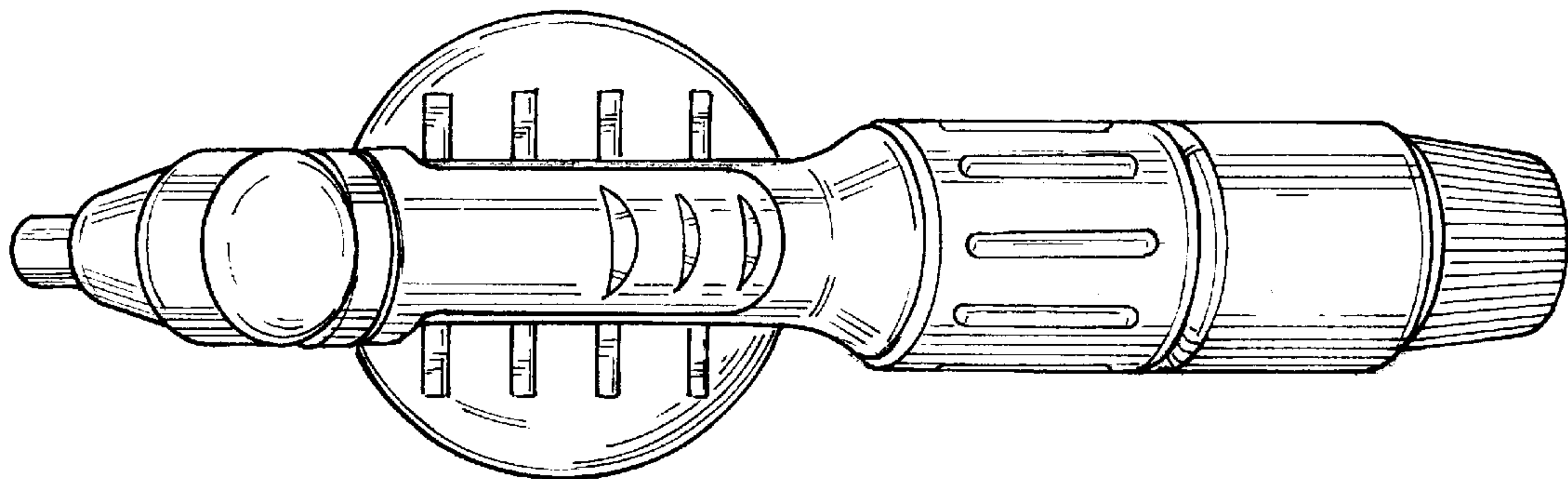


FIG. 5