



US00D509556S

(12) **United States Design Patent** (10) **Patent No.:** **US D509,556 S**
Matthews (45) **Date of Patent:** **** Sep. 13, 2005**

(54) **KEEL FOR A WATERFOWL DECOY**

(75) Inventor: **Thomas B. J. Matthews**, Memphis, TN (US)

(73) Assignee: **Avery Outdoors, Inc.**, Memphis, TN (US)

(**) Term: **14 Years**

(21) Appl. No.: **29/210,724**

(22) Filed: **Aug. 5, 2004**

(51) **LOC (8) Cl.** **22-05**

(52) **U.S. Cl.** **D22/125**

(58) **Field of Search** D22/125; 43/2, 43/3; 248/163.1

(56) **References Cited**

U.S. PATENT DOCUMENTS

2,816,383	A	*	12/1957	Locher	43/3
D230,270	S	*	2/1974	Gagnon	D22/125
D268,863	S	*	5/1983	Fulster	D22/125
D358,862	S	*	5/1995	Chaffin	D22/125
D365,136	S	*	12/1995	Shaver et al.	D22/125
D394,895	S	*	6/1998	Moody	D22/125
D482,752	S	*	11/2003	Alexander et al.	D22/125
2003/0061755	A1	*	4/2003	McGhghy	43/3

* cited by examiner

Primary Examiner—Catherine R. Oliver
(74) *Attorney, Agent, or Firm*—Walker, McKenzie & Walker, P.C.

(57) **CLAIM**

The ornamental design for a keel for a waterfowl decoy, as shown and described.

DESCRIPTION

FIG. 1 is a perspective view of a keel for a waterfowl decoy, showing a preferred embodiment of the new design.

FIG. 2 is a front elevational view of the keel for a waterfowl decoy of FIG. 1.

FIG. 3 is a first end elevational view of the keel for a waterfowl decoy of FIG. 1.

FIG. 4 is a second end elevational view of the keel for a waterfowl decoy of FIG. 1.

FIG. 5 is a top plan view of the keel for a waterfowl decoy of FIG. 1.

FIG. 6 is a bottom plan view of the keel for a waterfowl decoy of FIG. 1; and,

FIG. 7 is a rear elevational view of the keel for a waterfowl decoy of FIG. 1, but on a smaller scale and showing the keel attached to a waterfowl decoy.

The waterfowl decoy shown in broken lines in FIG. 7 is for illustrative purposes only and forms no part of the claimed design.

1 Claim, 2 Drawing Sheets

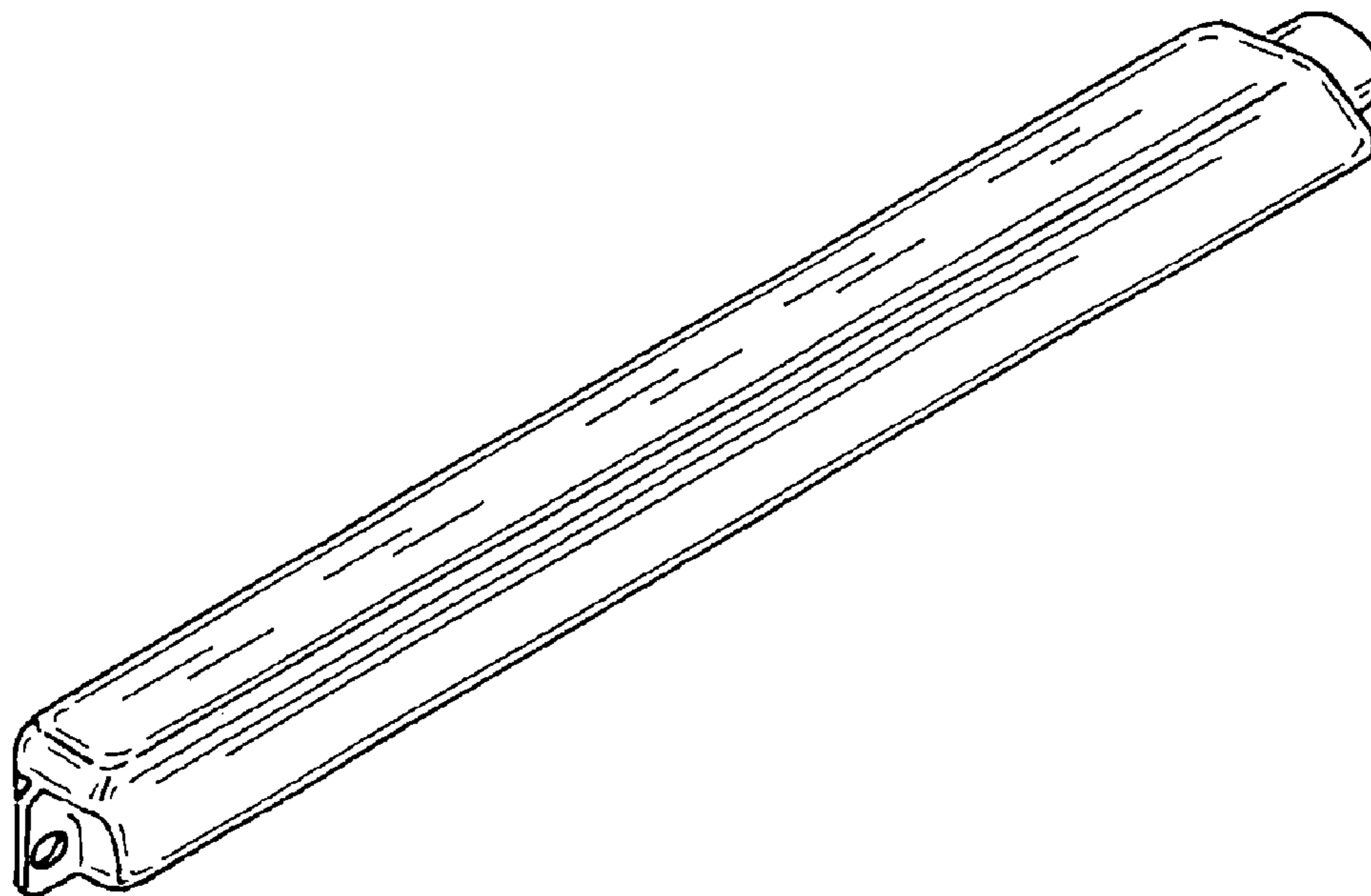


FIG. 1

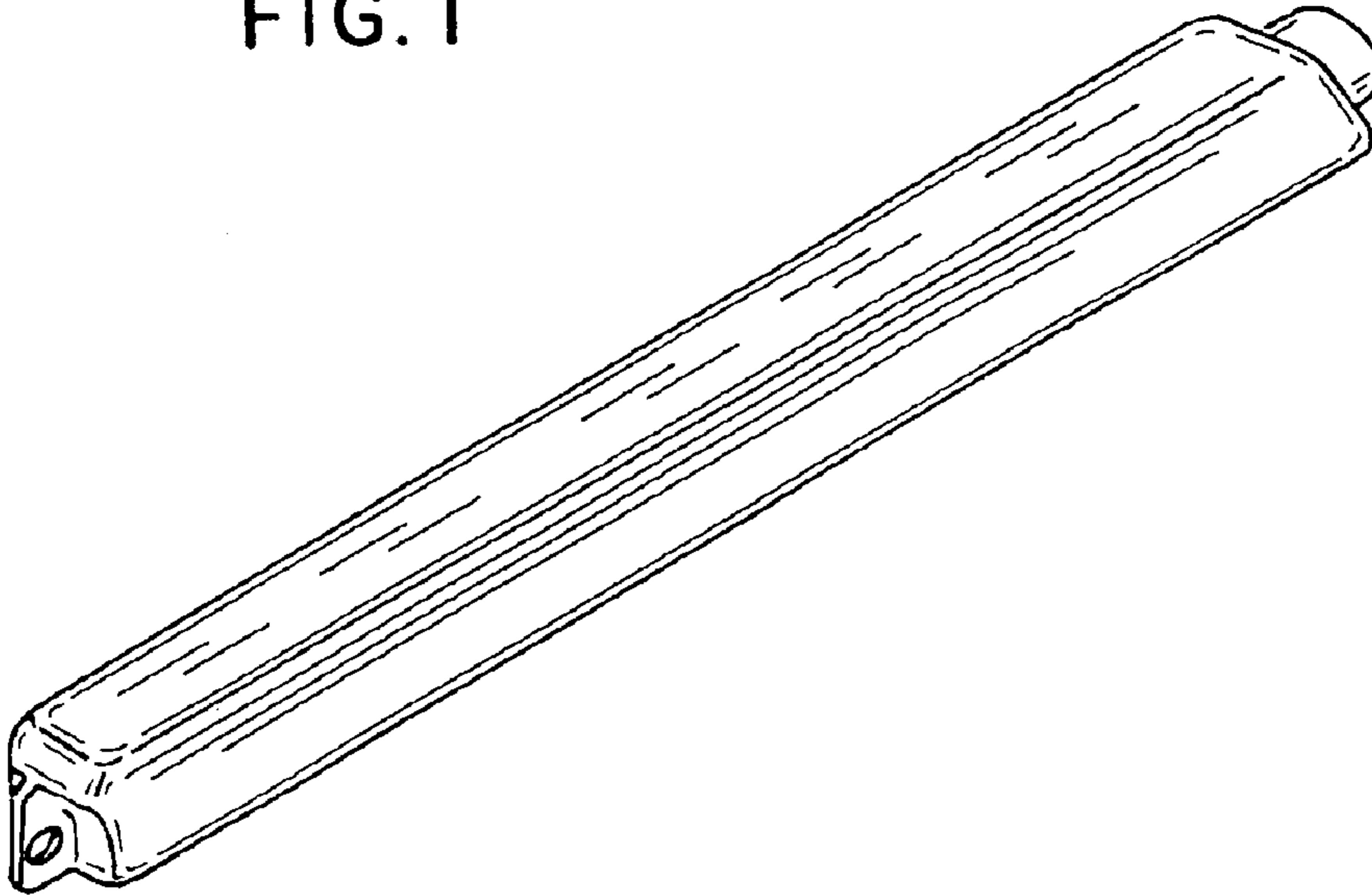


FIG. 2

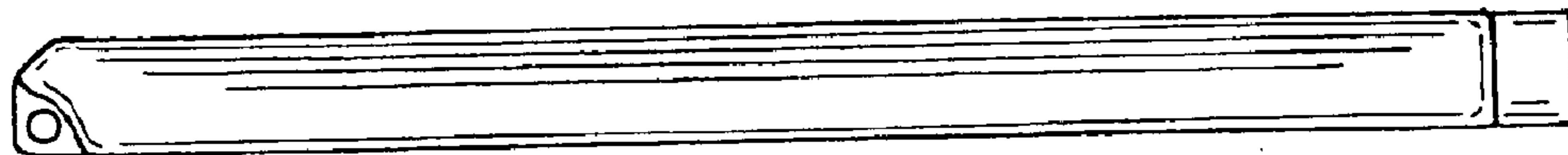


FIG. 3



FIG. 4



FIG. 5

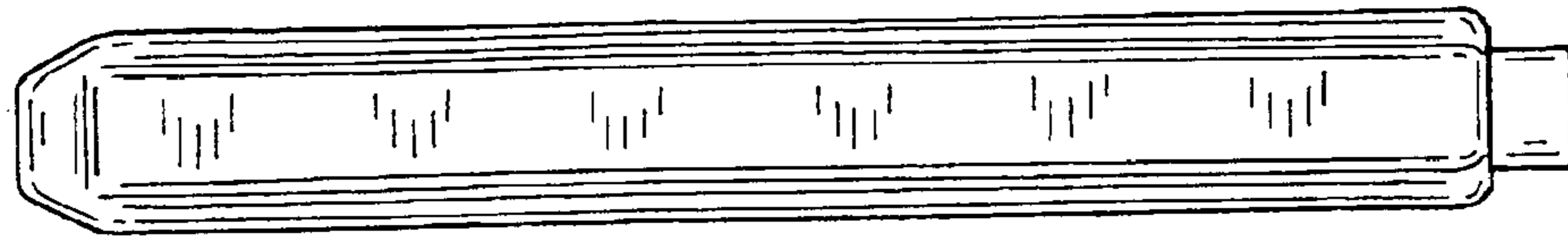


FIG. 6

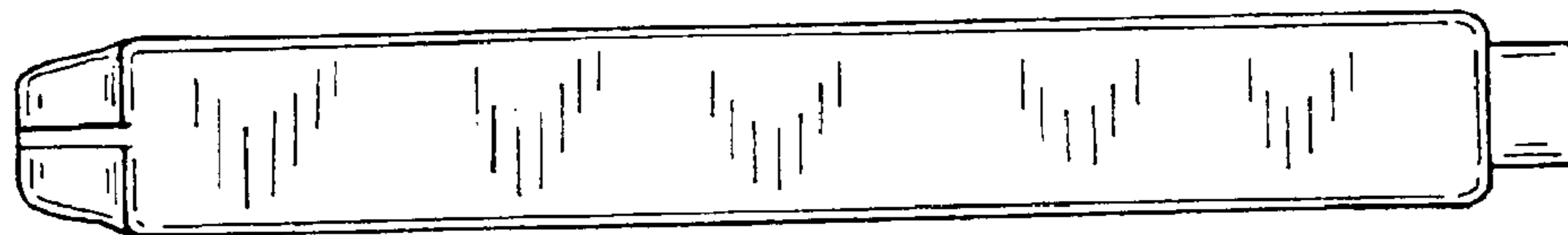


FIG. 7

