

US00D509549S

(12) **United States Design Patent**
Carter

(10) **Patent No.:** **US D509,549 S**
(45) **Date of Patent:** **** Sep. 13, 2005**

(54) **WEIGHTLIFTING FOOTREST**

(75) Inventor: **Kenneth E. Carter**, Clermont, CA
(US)

(73) Assignee: **Task Industries, Inc.**, Pomona, CA
(US)

(**) Term: **14 Years**

(21) Appl. No.: **29/196,341**

(22) Filed: **Dec. 23, 2003**

(51) **LOC (8) Cl.** **21-02**

(52) **U.S. Cl.** **D21/694**

(58) **Field of Search** D21/673, 674,
D21/675, 676, 694, 686; 482/93, 94, 97,
98, 133, 135, 137, 142; D6/349

(56) **References Cited**

U.S. PATENT DOCUMENTS

- D230,613 S * 3/1974 Coker et al. D21/673
- D360,442 S * 7/1995 Wilson D21/676
- 5,688,216 A * 11/1997 Mauriello 482/135
- D394,482 S * 5/1998 Colonello D21/673
- D431,615 S * 10/2000 Webber et al. D21/675
- D438,578 S * 3/2001 Kuo D21/690

- D438,918 S * 3/2001 Batca et al. D21/676
- D446,831 S * 8/2001 Webber et al. D21/662
- 6,290,630 B1 * 9/2001 Boland 482/130
- 6,361,481 B1 * 3/2002 Koenig 482/97

* cited by examiner

Primary Examiner—Philip S. Hyder

(74) *Attorney, Agent, or Firm*—Cislo & Thomas LLP

(57) **CLAIM**

I claim the ornamental design for an weightlifting footrest,
as shown and described herein.

DESCRIPTION

FIG. 1. Is a front perspective view of my weightlifting footrest with the dotted lines showing being for illustrative purposes only and to which no claim is made;

FIG. 2. Is a right side elevational view thereof with the left side elevational view being a mirror image thereof and with the dotted lines showing being for illustrative purposes only and to which no claim is made;

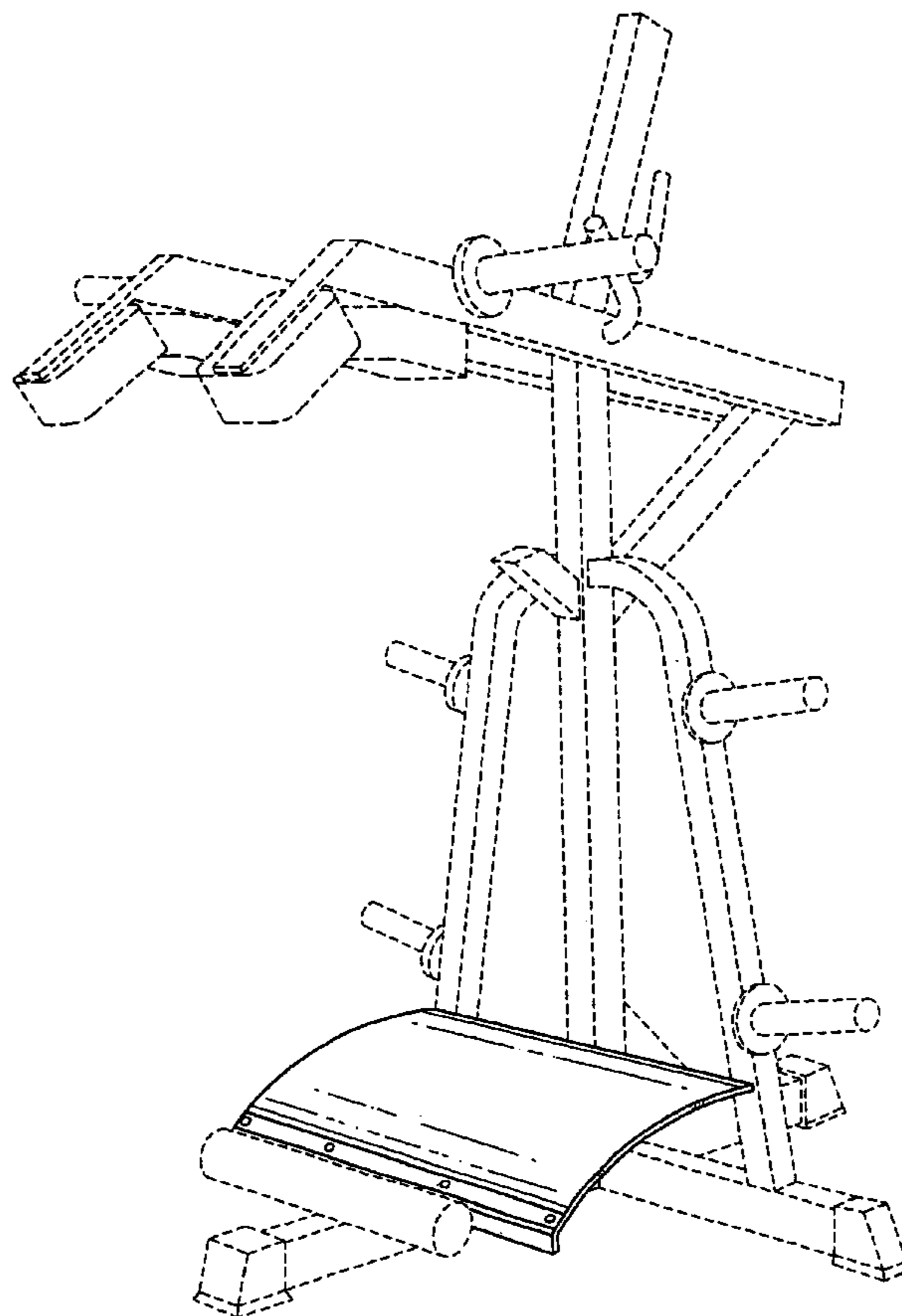
FIG. 3. Is a back view thereof;

FIG. 4. Is a front view thereof;

FIG. 5. Is a top view thereof; and,

FIG. 6. Is a bottom view thereof.

1 Claim, 3 Drawing Sheets



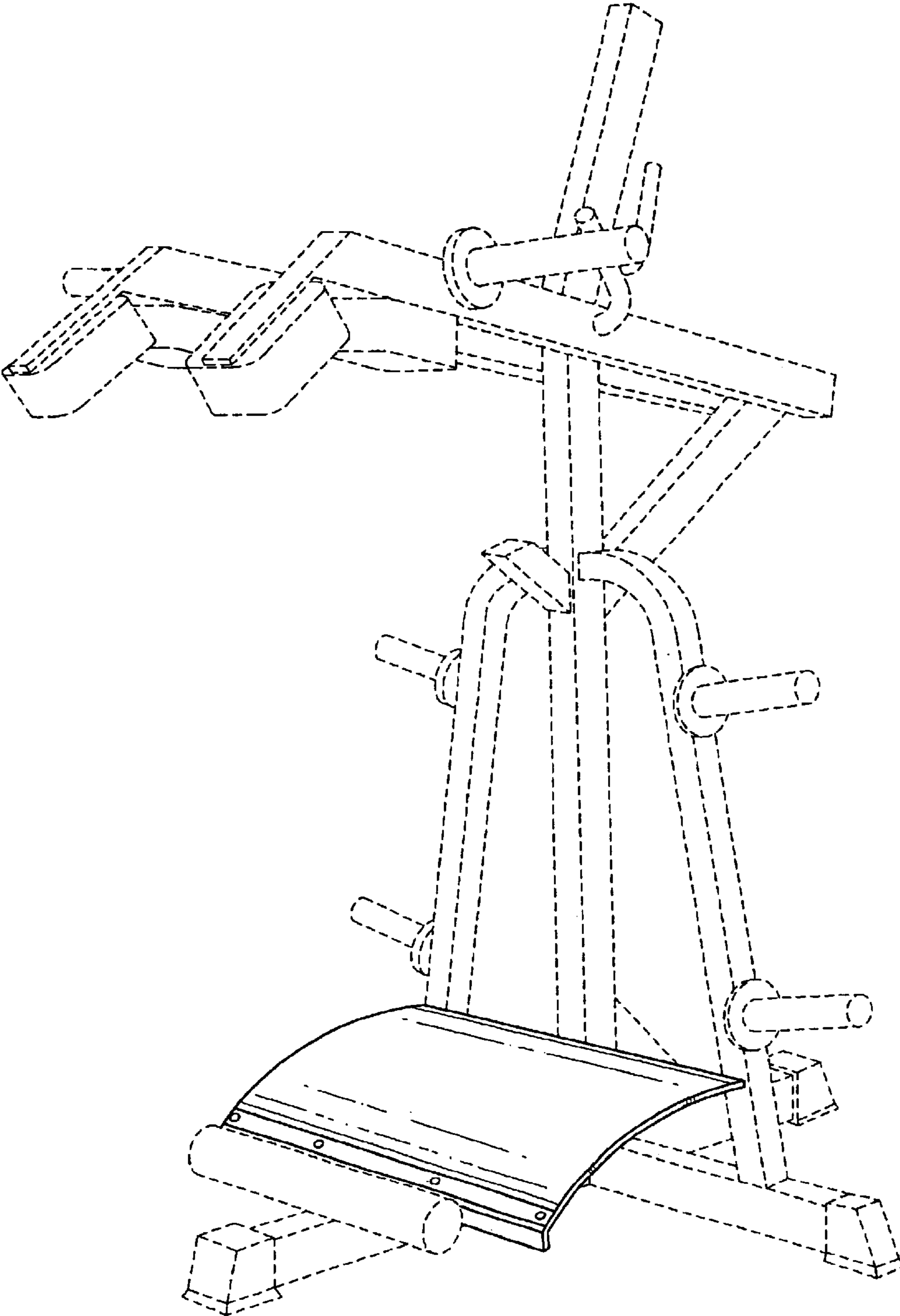


FIG. 1

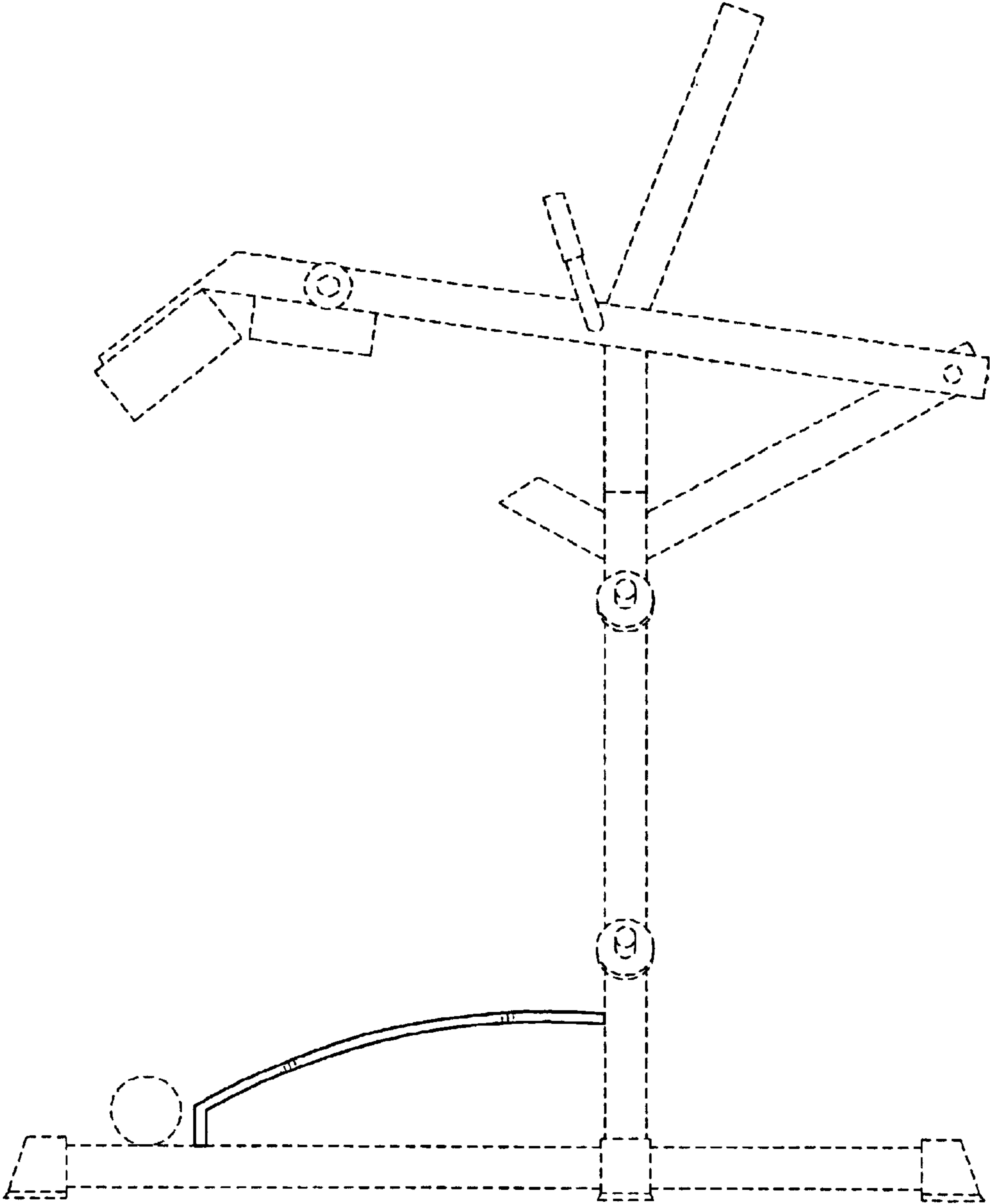


FIG. 2

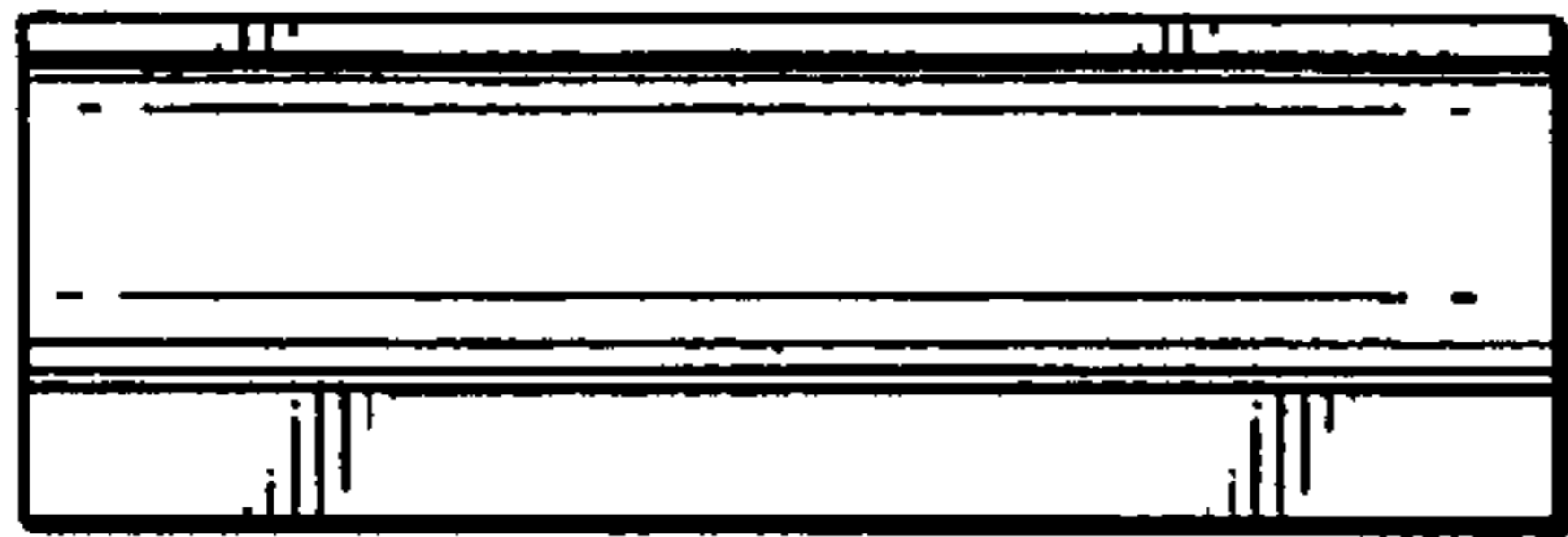


FIG. 3

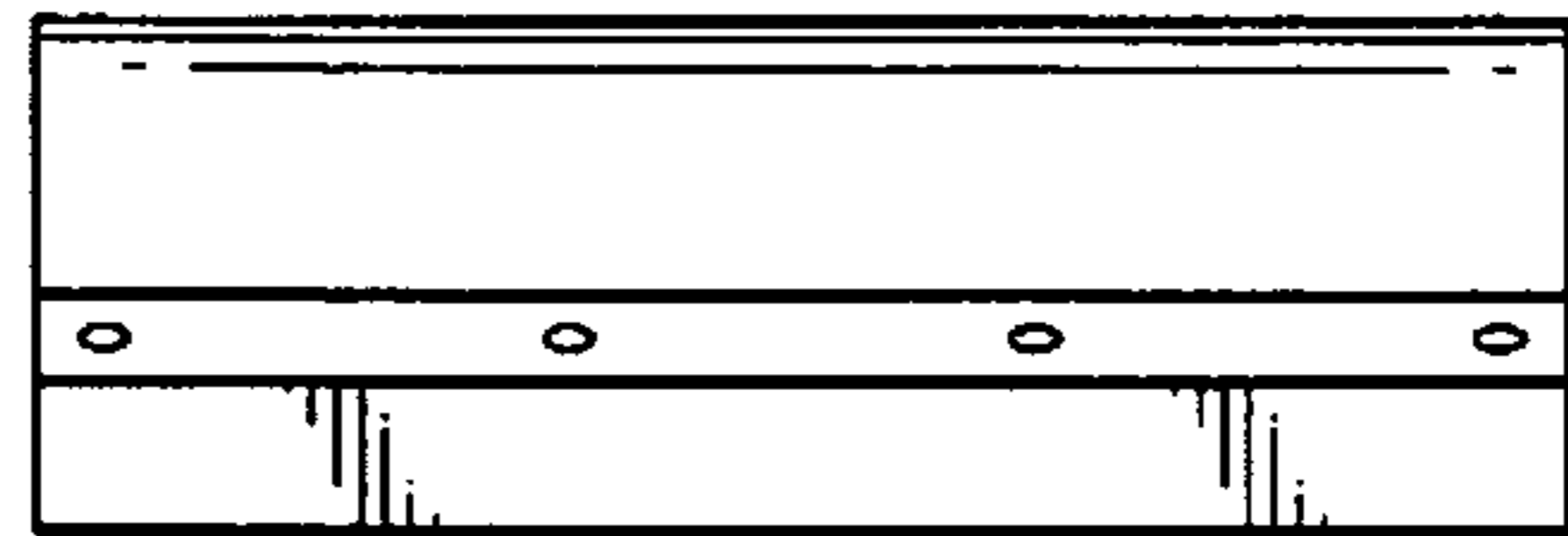


FIG. 4

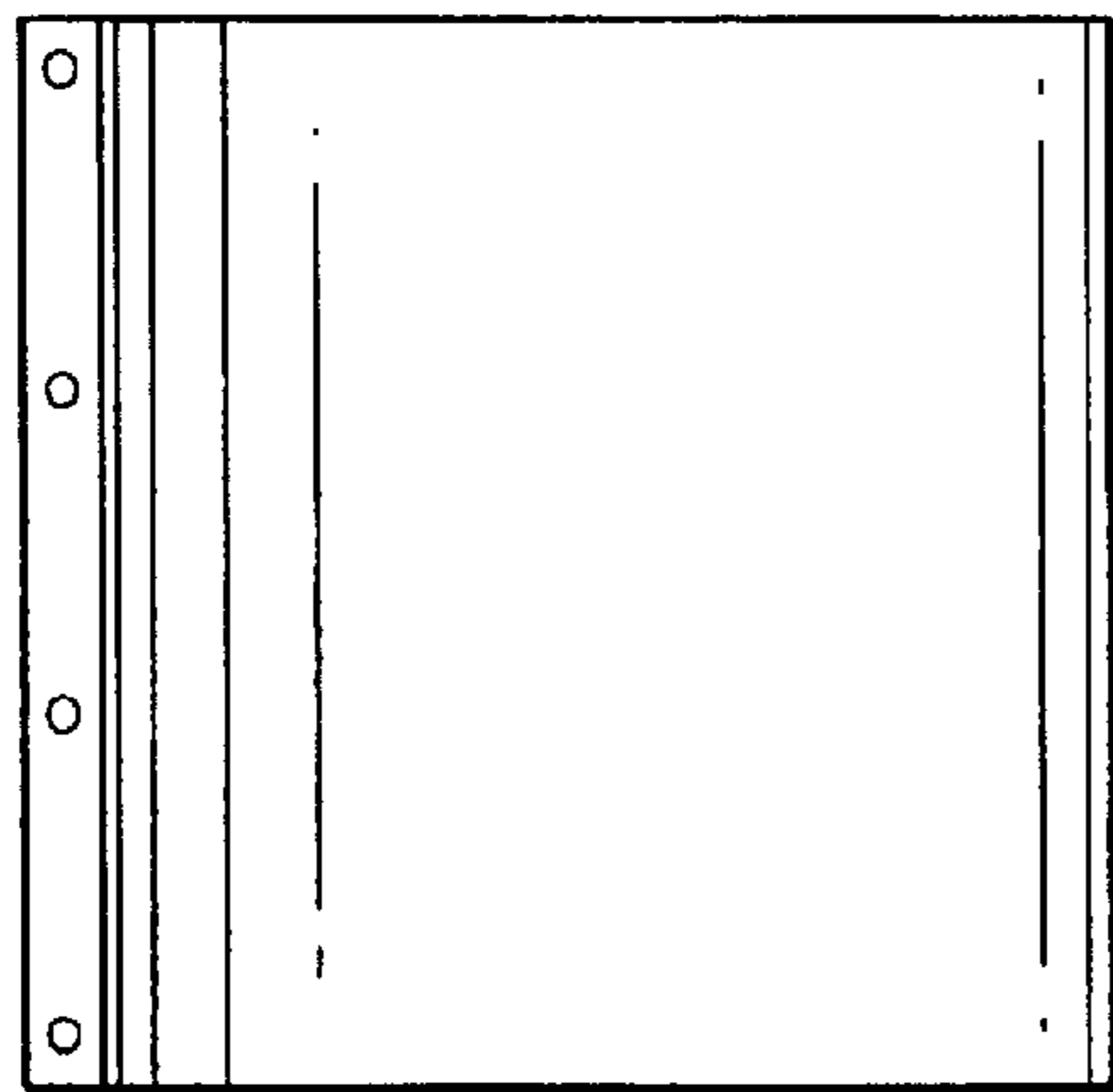


FIG. 5

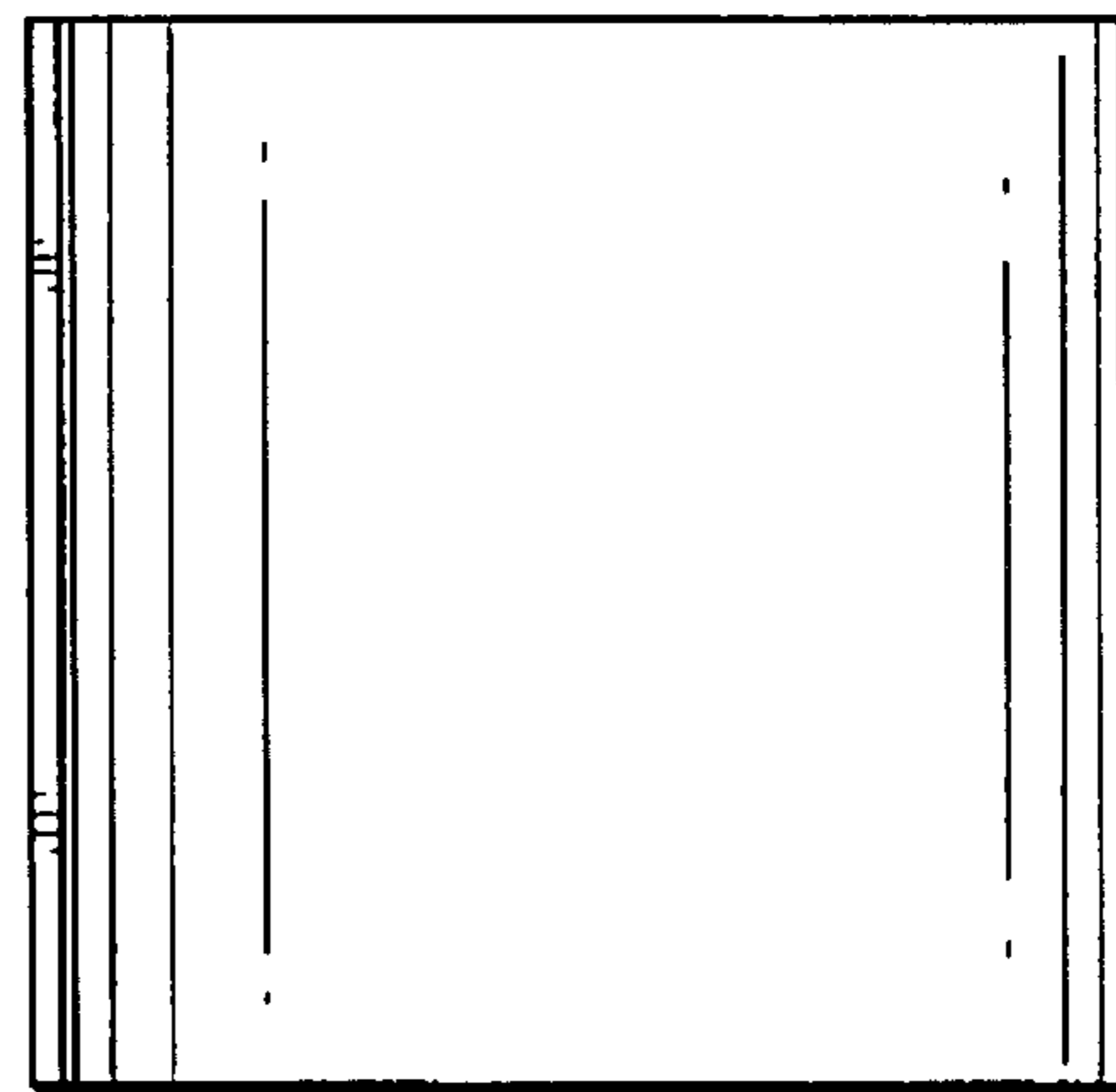


FIG. 6