

US00D509544S

(12) **United States Design Patent**
Nickels

(10) **Patent No.: US D509,544 S**

(45) **Date of Patent: ** Sep. 13, 2005**

(54) **REMOVABLE TRANSPARENT PROTECTIVE ANTI-GRAFFITI ROAD SIGN COVER**

(76) **Inventor: Mark A. Nickels**, 3730 Road H, Deshler, OH (US) 43516

(**) **Term: 14 Years**

(21) **Appl. No.: 29/208,027**

(22) **Filed: Jun. 24, 2004**

(51) **LOC (8) Cl. 20-99**

(52) **U.S. Cl. D20/99; D20/17**

(58) **Field of Search D20/10, 17, 39, D20/40, 41, 42, 99; 40/584, 607.03, 607.05, 610, 611.01, 612; D10/109**

(56) **References Cited**

U.S. PATENT DOCUMENTS

3,903,629	A	*	9/1975	Gruna	40/591
4,265,938	A		5/1981	Jack et al.		
4,398,556	A		8/1983	Periera et al.		
D279,485	S		7/1985	Brennan		
4,907,360	A		3/1990	MacMunn		
5,079,886	A		1/1992	Downs		
5,528,220	A		6/1996	Woods		
5,635,902	A	*	6/1997	Hochstein	340/433
5,675,318	A		10/1997	Hunt, Jr.		
5,729,926	A	*	3/1998	Cowgill et al.	40/610
D399,260	S	*	10/1998	Thimote	D20/17

D407,987	S	*	4/1999	Dittmore et al.	D10/109
D445,053	S	*	7/2001	Capobianco	D10/109
D446,465	S	*	8/2001	Sloot	D10/109
6,422,714	B1	*	7/2002	Hubbell	362/84
D487,406	S	*	3/2004	Anderson	D10/109

* cited by examiner

Primary Examiner—Robert M. Spear

(74) *Attorney, Agent, or Firm*—Donald R. Schoonover

(57) **CLAIM**

I claim the ornamental design for a removable transparent protective anti-graffiti road sign cover, as shown and described.

DESCRIPTION

FIG. 1 is a perspective view of a removable transparent protective anti-graffiti road sign cover showing my new design; the broken lines depict environmental structure for illustrative purposes only and form no part of the claimed design;

FIG. 2 is a front elevational view thereof;

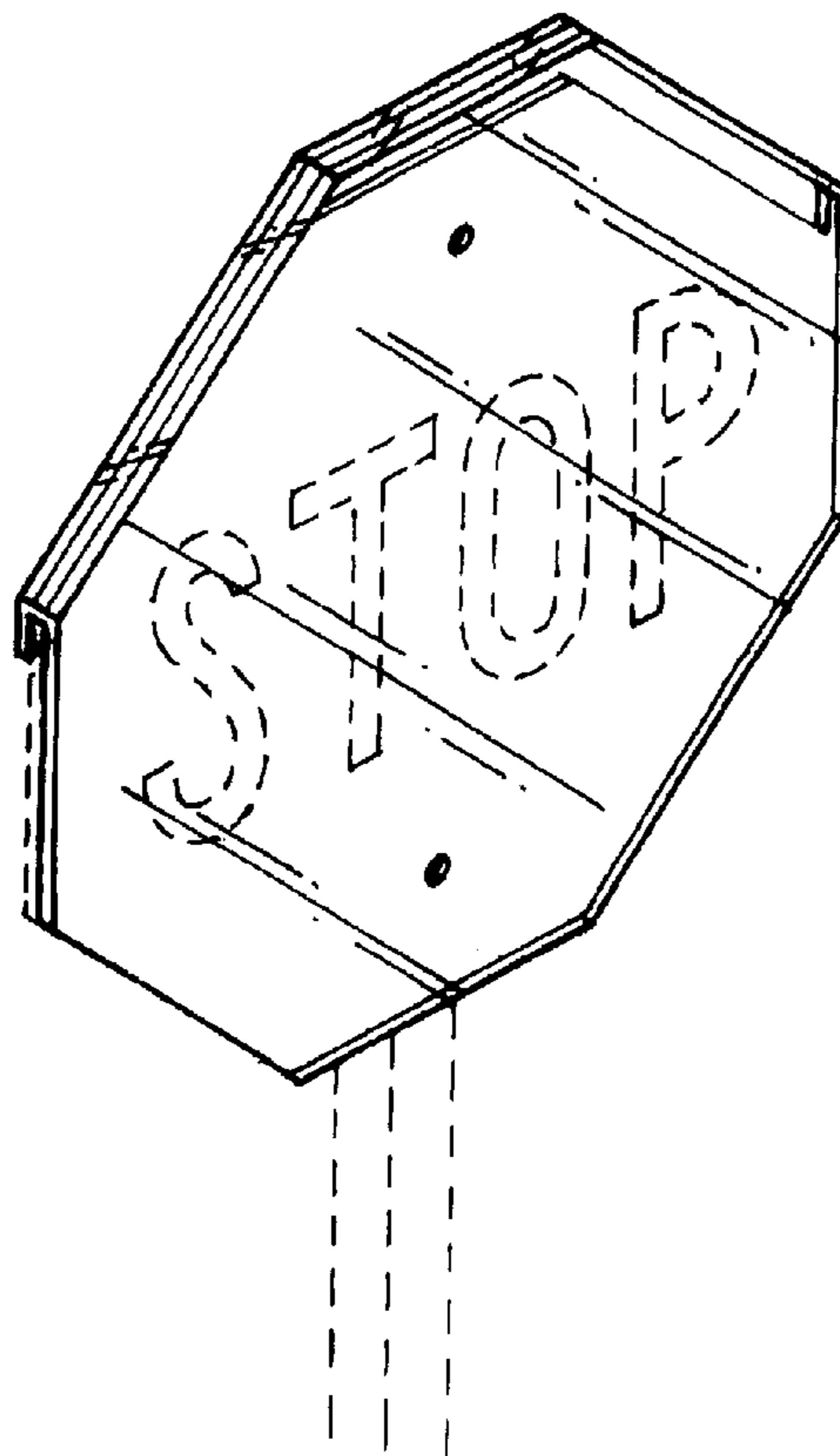
FIG. 3 is a rear elevational view thereof;

FIG. 4 is a left side elevational view thereof, the right side elevational view being a mirror image thereof;

FIG. 5 is a top plan view thereof; and,

FIG. 6 is a bottom plan view thereof.

1 Claim, 3 Drawing Sheets



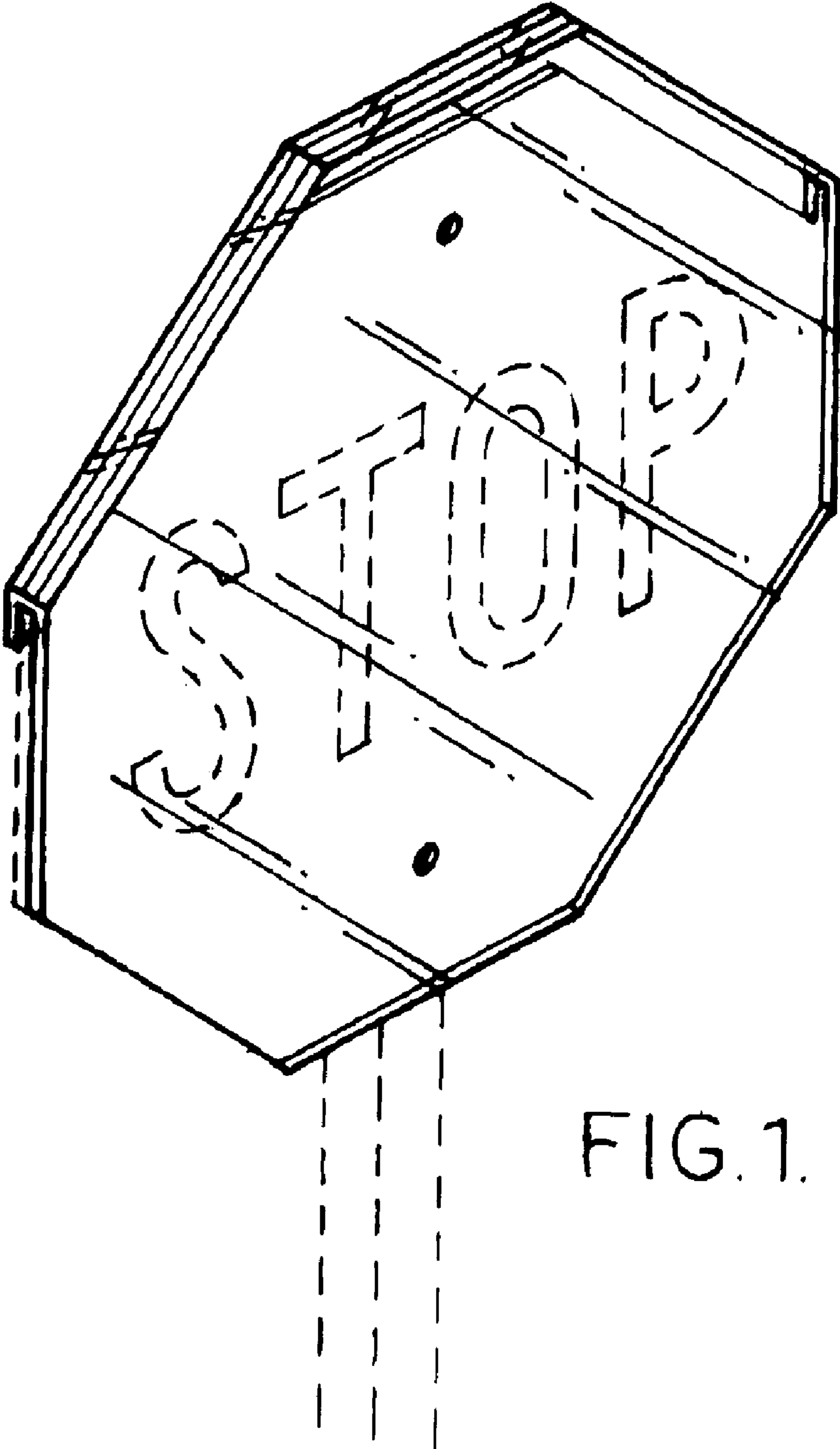


FIG. 1.

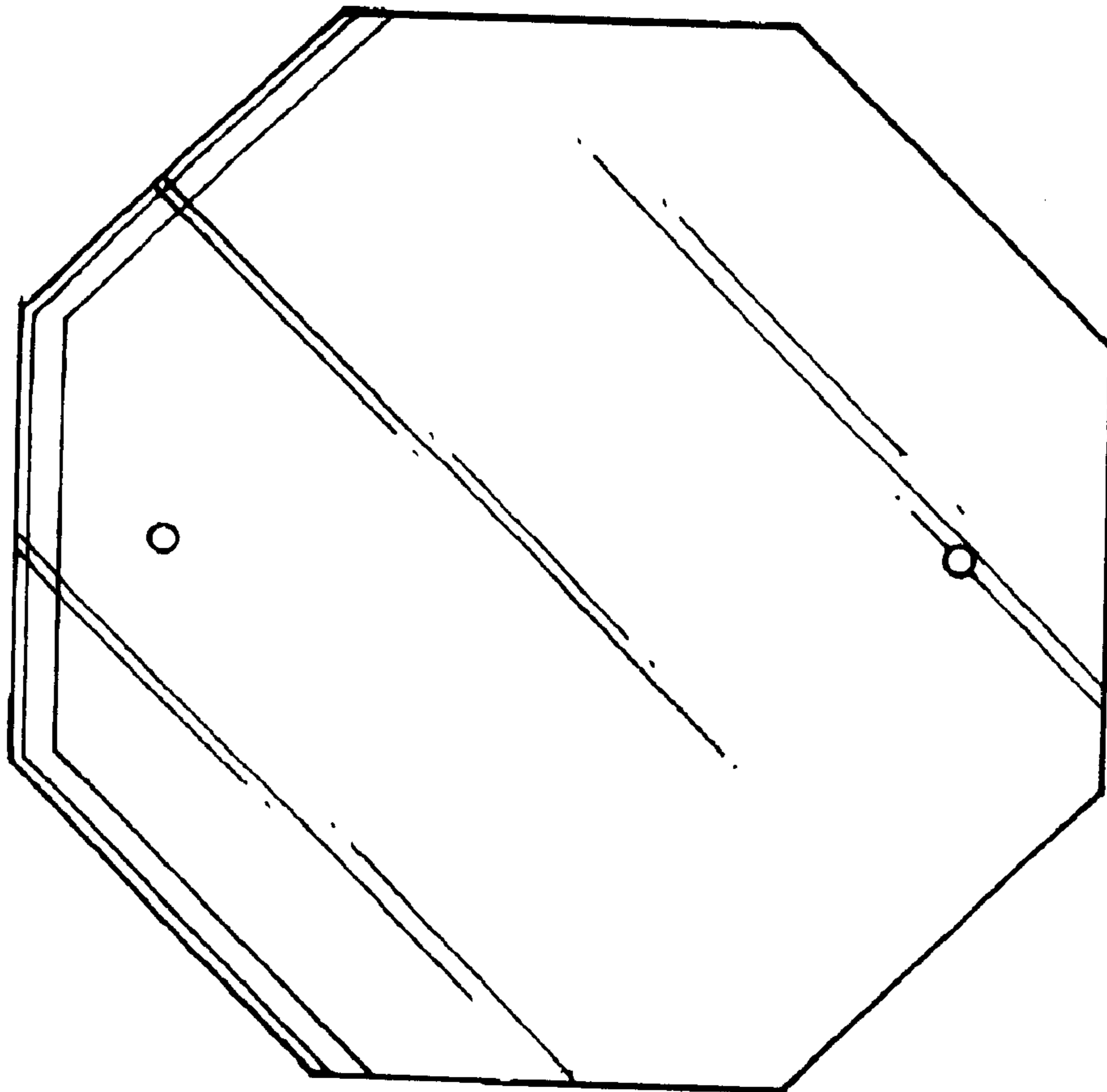


FIG. 2.



FIG. 4.



FIG. 5.

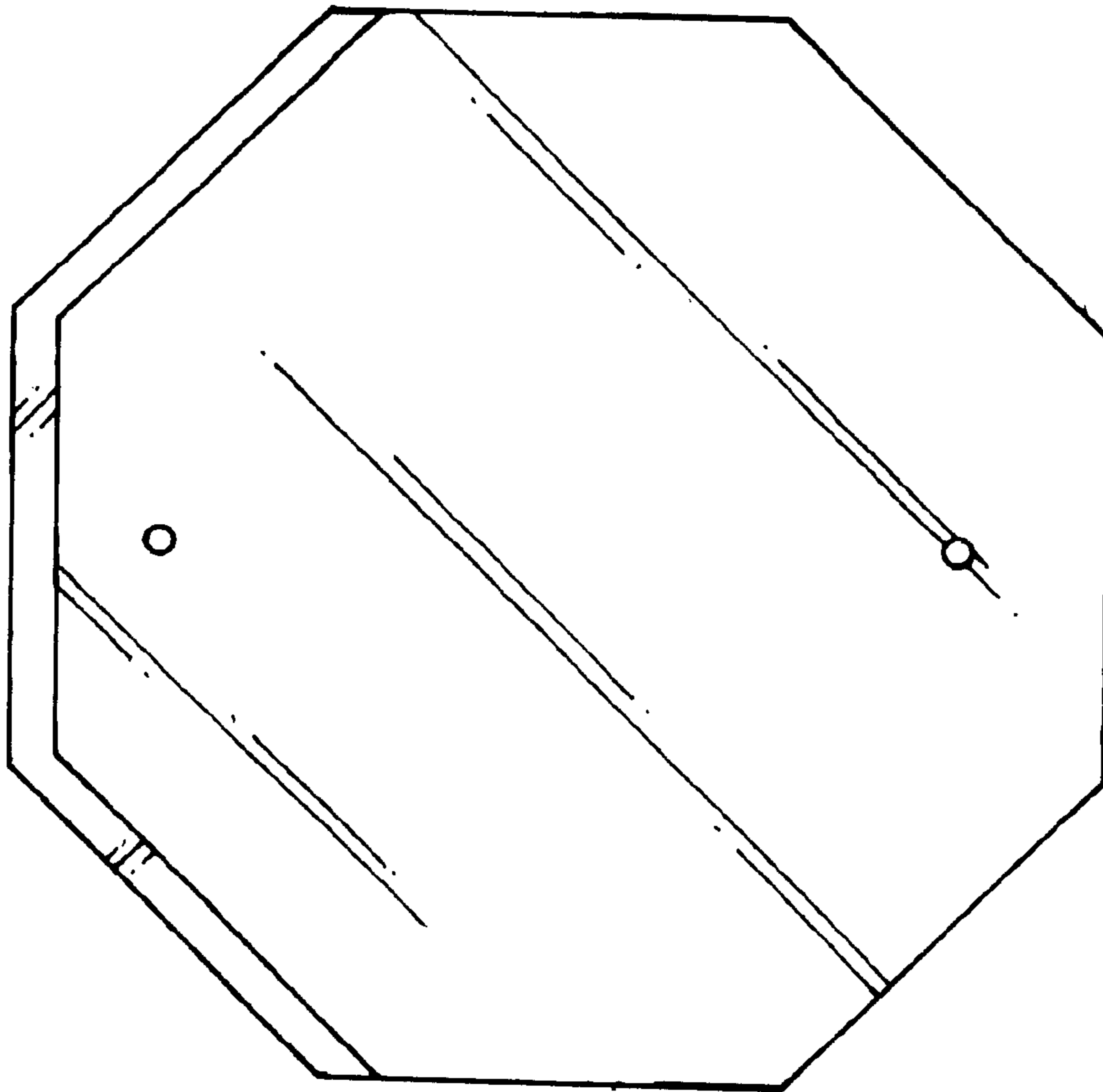


FIG. 3.



FIG. 6.