

US00D509543S

(12) **United States Design Patent** (10) **Patent No.:** **US D509,543 S**  
**Hillstrom et al.** (45) **Date of Patent:** **\*\* Sep. 13, 2005**

(54) **SIGN FRAME**

(75) Inventors: **Brian J. Hillstrom**, Milford, MI (US);  
**Yevgeniy M. Levin**, Livonia, MI (US);  
**Alfred J. Dobson**, Wethersfield (GB)

(73) Assignee: **Marketing Displays, Inc.**, Farmington Hills, MI (US)

(\*\*) Term: **14 Years**

(21) Appl. No.: **29/210,612**

(22) Filed: **Aug. 3, 2004**

(51) **LOC (8) Cl.** ..... **20-02**

(52) **U.S. Cl.** ..... **D20/41**

(58) **Field of Search** ..... D20/10, 17-21,  
D20/39, 42, 99; D19/52; D21/362, 374;  
40/1.5, 107; 273/243, 249; 283/36, 56,  
115, 117; 434/84, 96, 103, 104, 238

(56) **References Cited**

**U.S. PATENT DOCUMENTS**

1,887,894	A	*	11/1932	Schwab	.....	40/611.05
2,064,127	A		12/1936	Schneider		
D122,771	S		10/1940	Doner		
D138,526	S		8/1944	Spaldo		
2,388,180	A		10/1945	Pulver, Jr.		
D153,401	S		4/1949	Swibold		
4,280,294	A		7/1981	Eckberg, II		
D288,755	S	*	3/1987	Schoenig	.....	D6/462
4,866,866	A	*	9/1989	Rotter et al.	.....	40/610
D327,096	S	*	6/1992	Hobbs	.....	D20/10
D334,217	S	*	3/1993	Minehart	.....	D20/41
D339,379	S	*	9/1993	Persing	.....	D19/52
D351,863	S		10/1994	Sarkisian et al.		
5,419,134	A	*	5/1995	Gibson	.....	40/611.05
D360,078	S		7/1995	Sarkisian et al.		
D376,821	S	*	12/1996	Hathaway	.....	D20/41
D384,979	S	*	10/1997	Greene, Jr.	.....	D20/41

D390,610	S	*	2/1998	Wingerei	.....	D20/39
D392,686	S	*	3/1998	Sarkisian et al.	.....	D20/41
D396,065	S	*	7/1998	Johnson et al.	.....	D20/41
D433,713	S	*	11/2000	Olivetti	.....	D20/10
D463,493	S	*	9/2002	Beno	.....	D19/52
D475,407	S	*	6/2003	Beno	.....	D19/52
D480,428	S	*	10/2003	Robertson, Jr.	.....	D19/90

\* cited by examiner

*Primary Examiner*—Robert M. Spear

(74) *Attorney, Agent, or Firm*—Harness, Dickey & Pierce, P.L.C.

(57) **CLAIM**

The ornamental design for a sign frame, as shown and described.

**DESCRIPTION**

FIG. 1 is a front perspective view of a sign frame in accordance with the present invention;  
 FIG. 2 is a front elevational view of the sign frame shown in FIG. 1, the rear elevational view being a mirror image thereof;  
 FIG. 3 is a right side elevational view of the sign frame shown in FIG. 1, the left side elevational view being a mirror image thereof;  
 FIG. 4 is a top plan view of the of the sign frame shown in FIG. 1;  
 FIG. 5 is a bottom plan view of the of the sign frame shown in FIG. 1;  
 FIG. 6 is a cross sectional view taken through line 6—6 shown in FIG. 2; and,  
 FIG. 7 is a cross-sectional view taken through line 7—7 shown in FIG. 2.

It will be understood that the broken lines shown in the figures illustrate environmental structure associated with the present invention but also form no part of the claimed design.

**1 Claim, 3 Drawing Sheets**

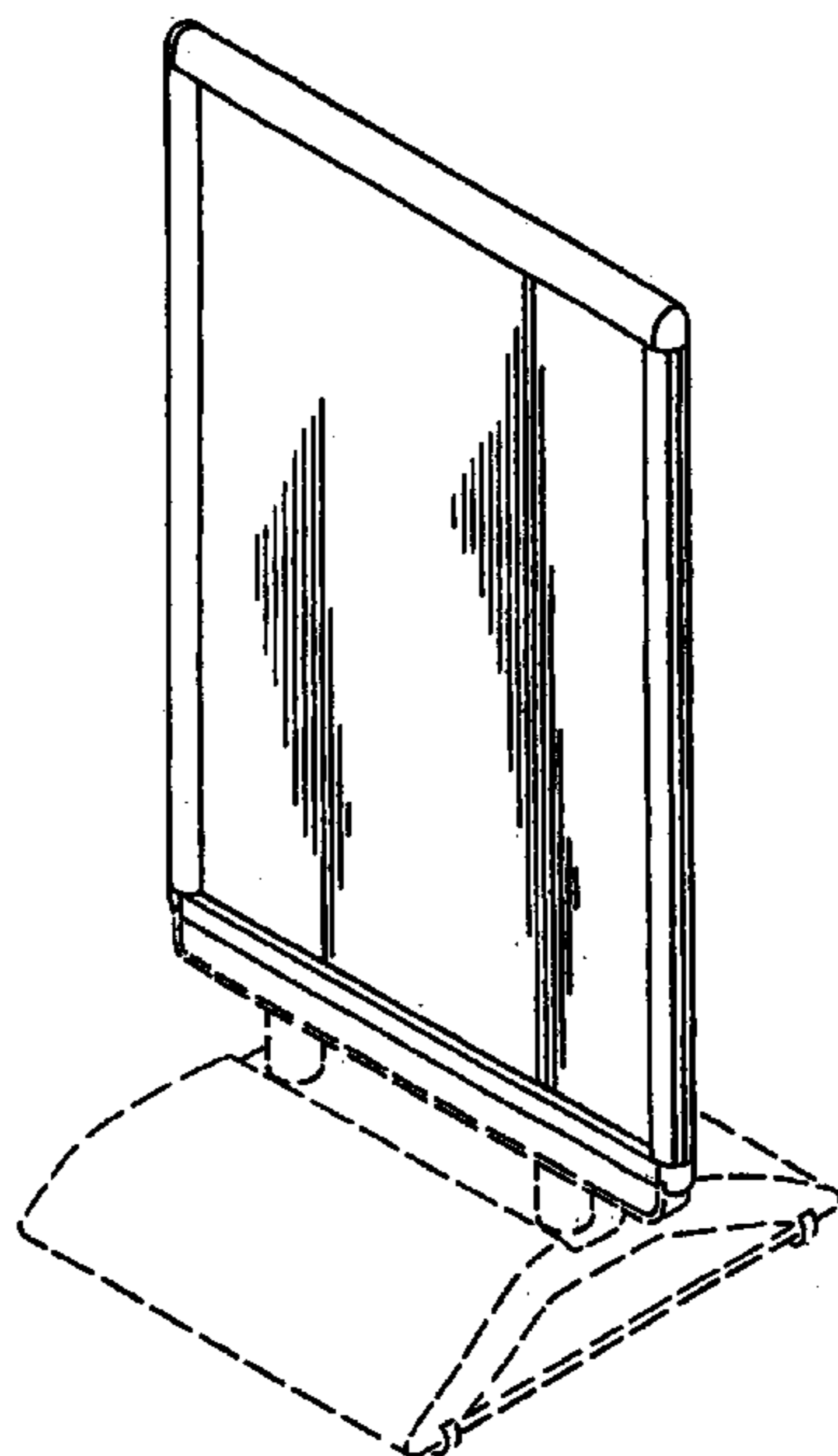


FIG 1

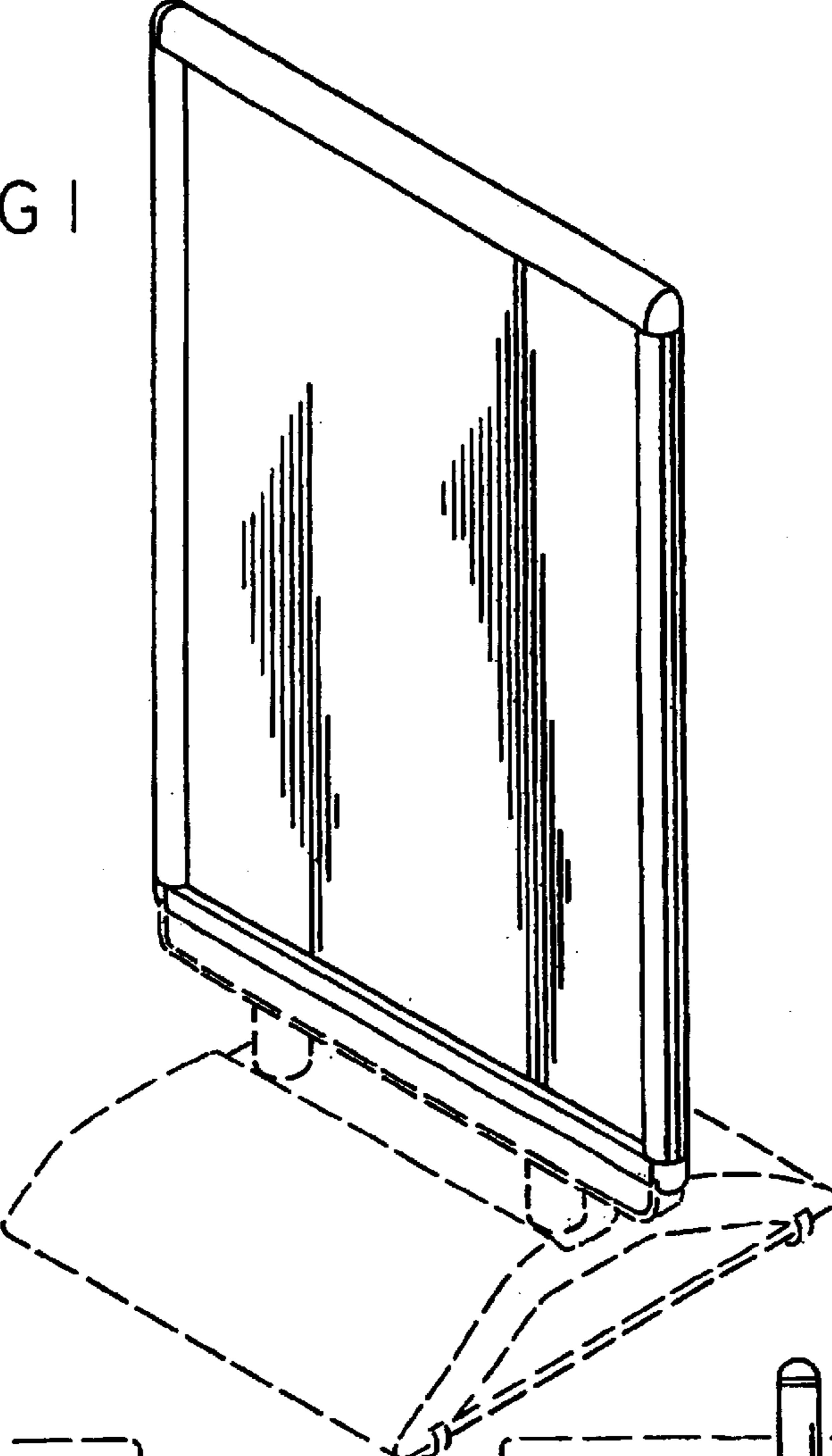


FIG 4

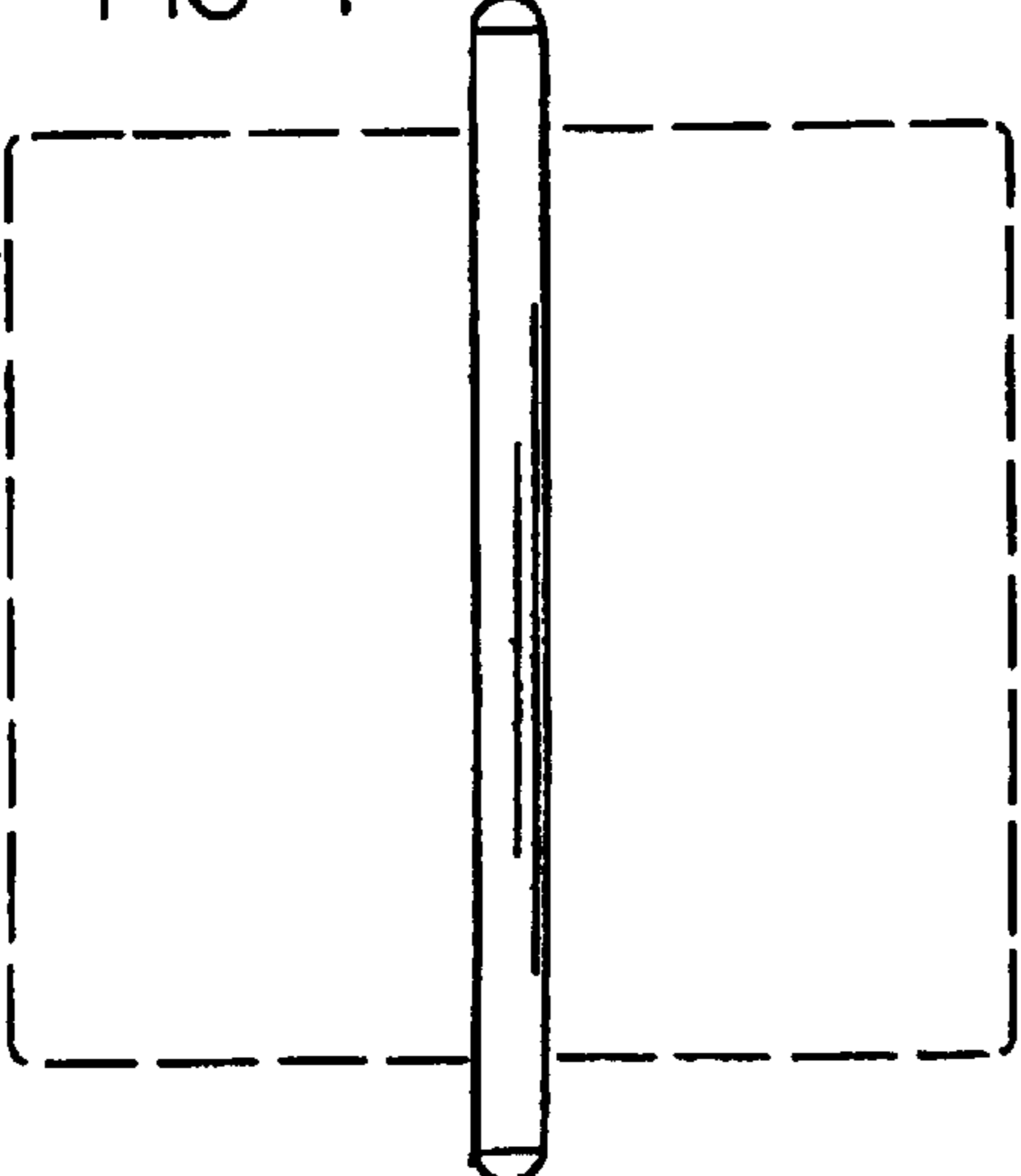
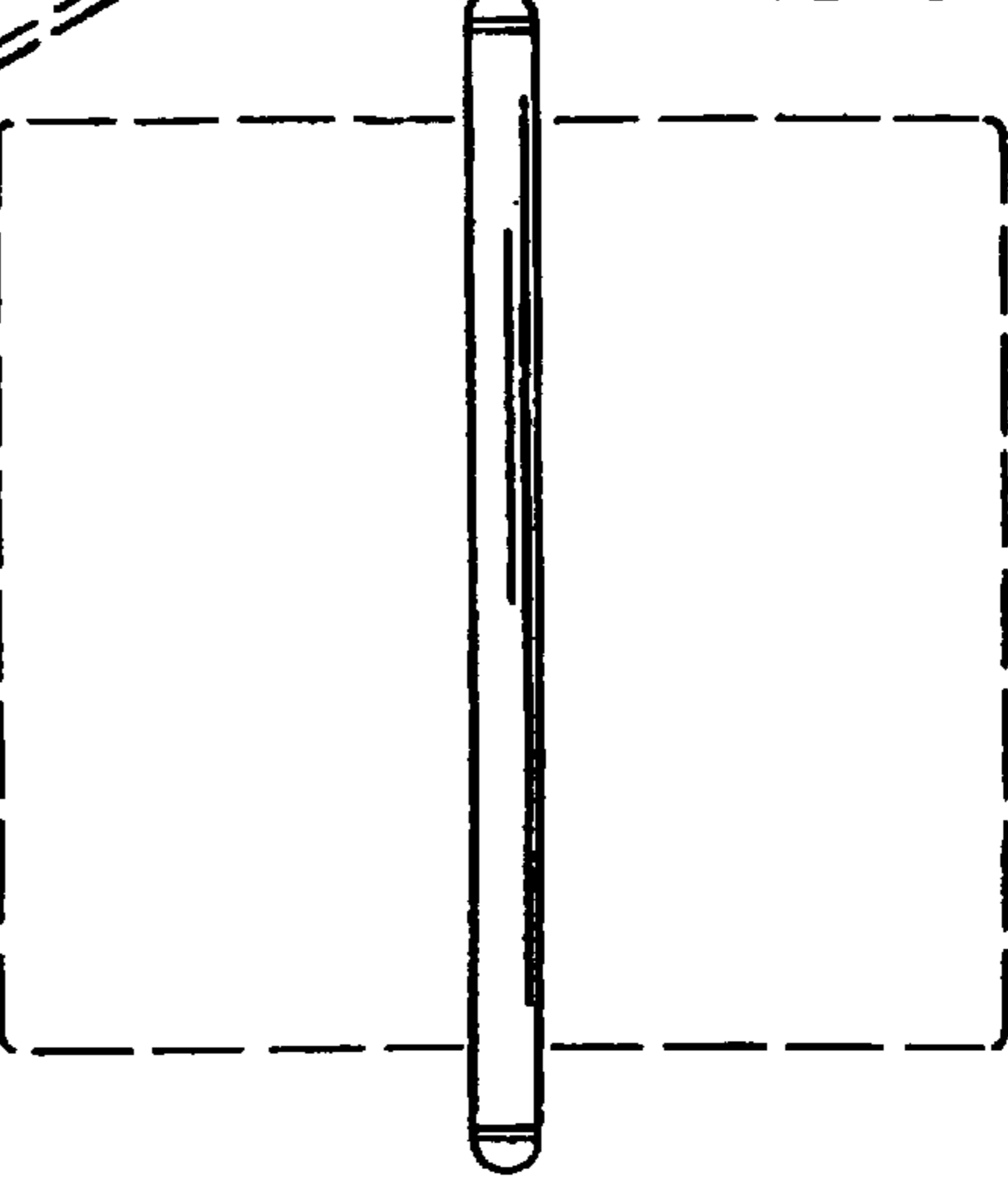


FIG 5



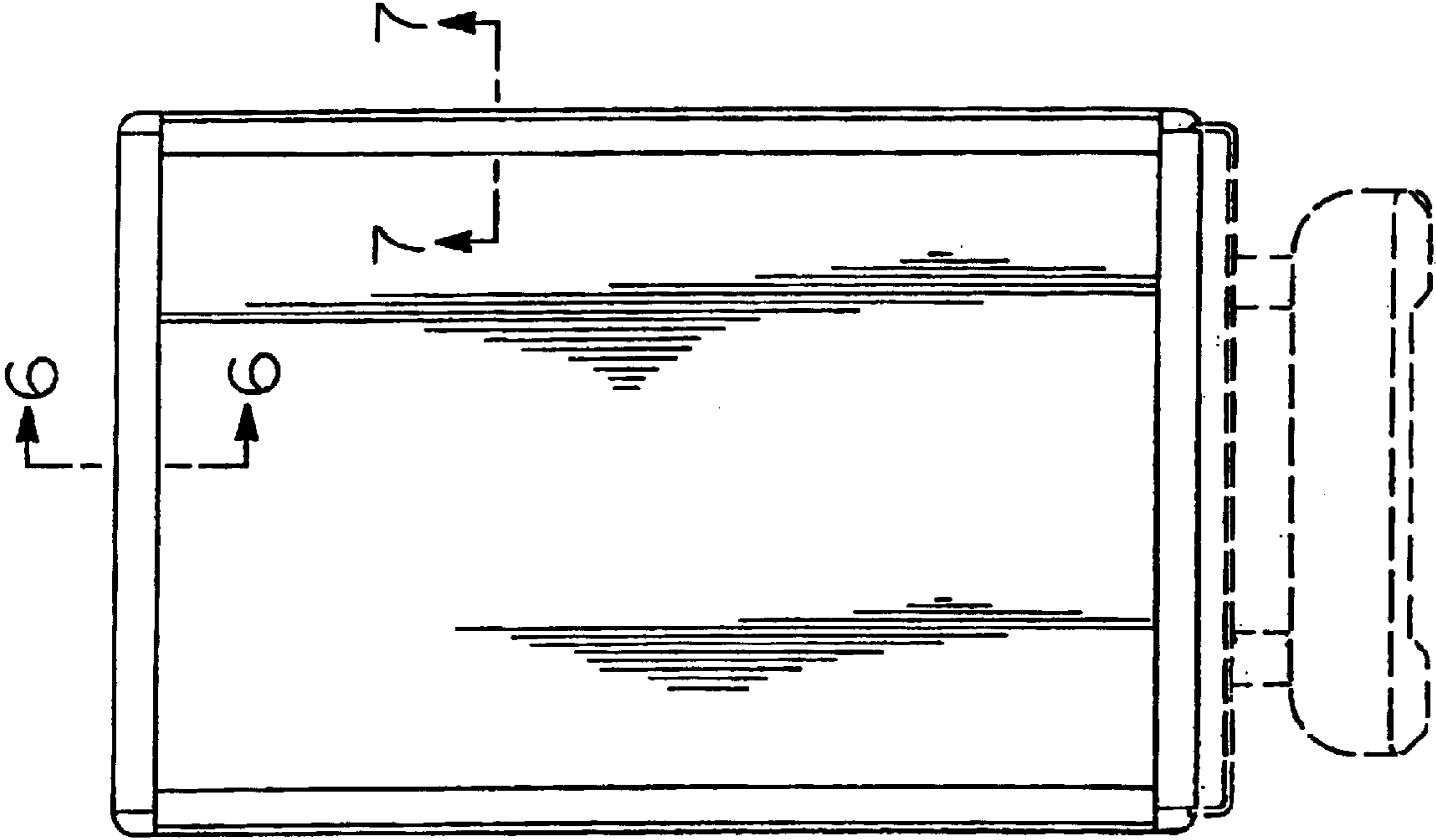


FIG 2

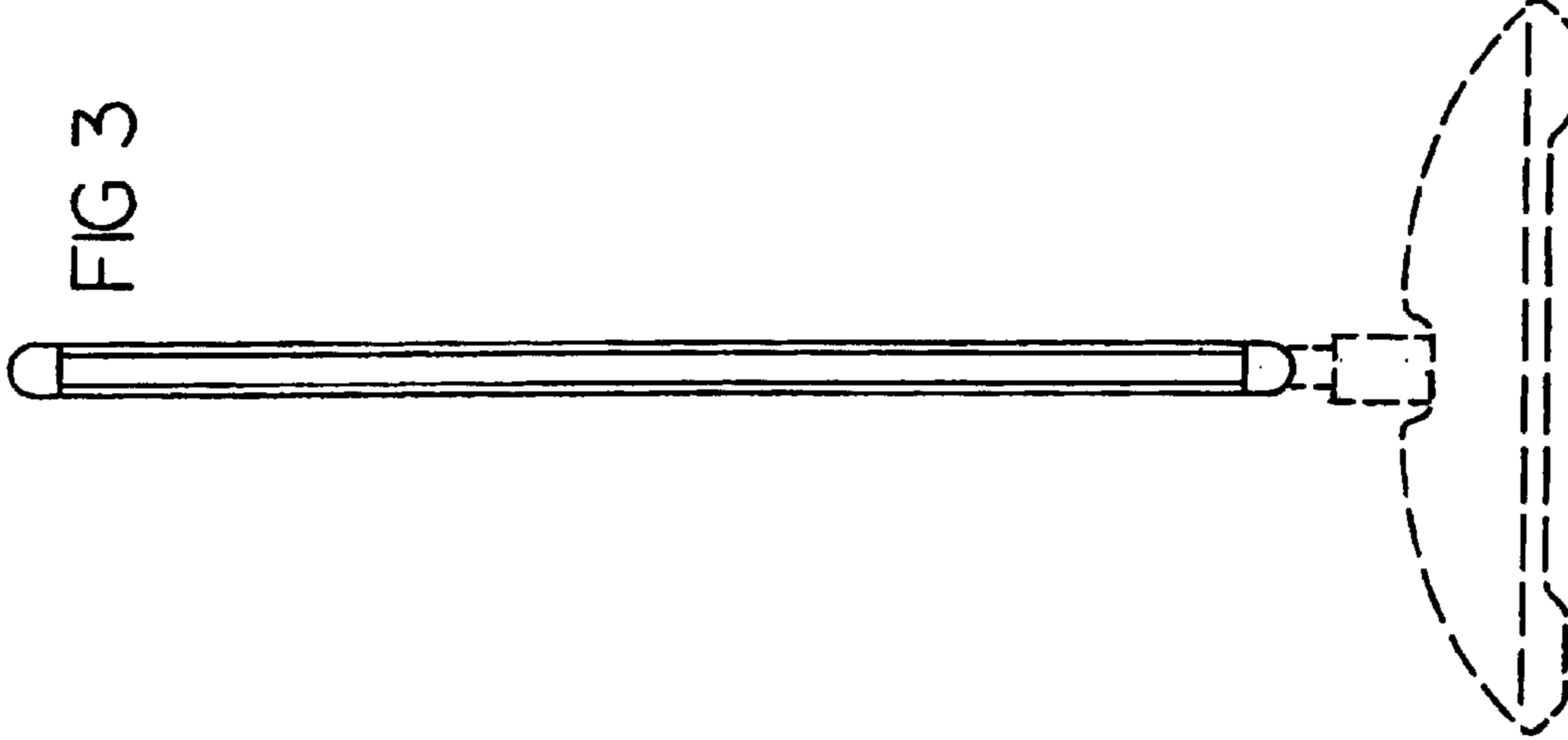


FIG 3

FIG 6

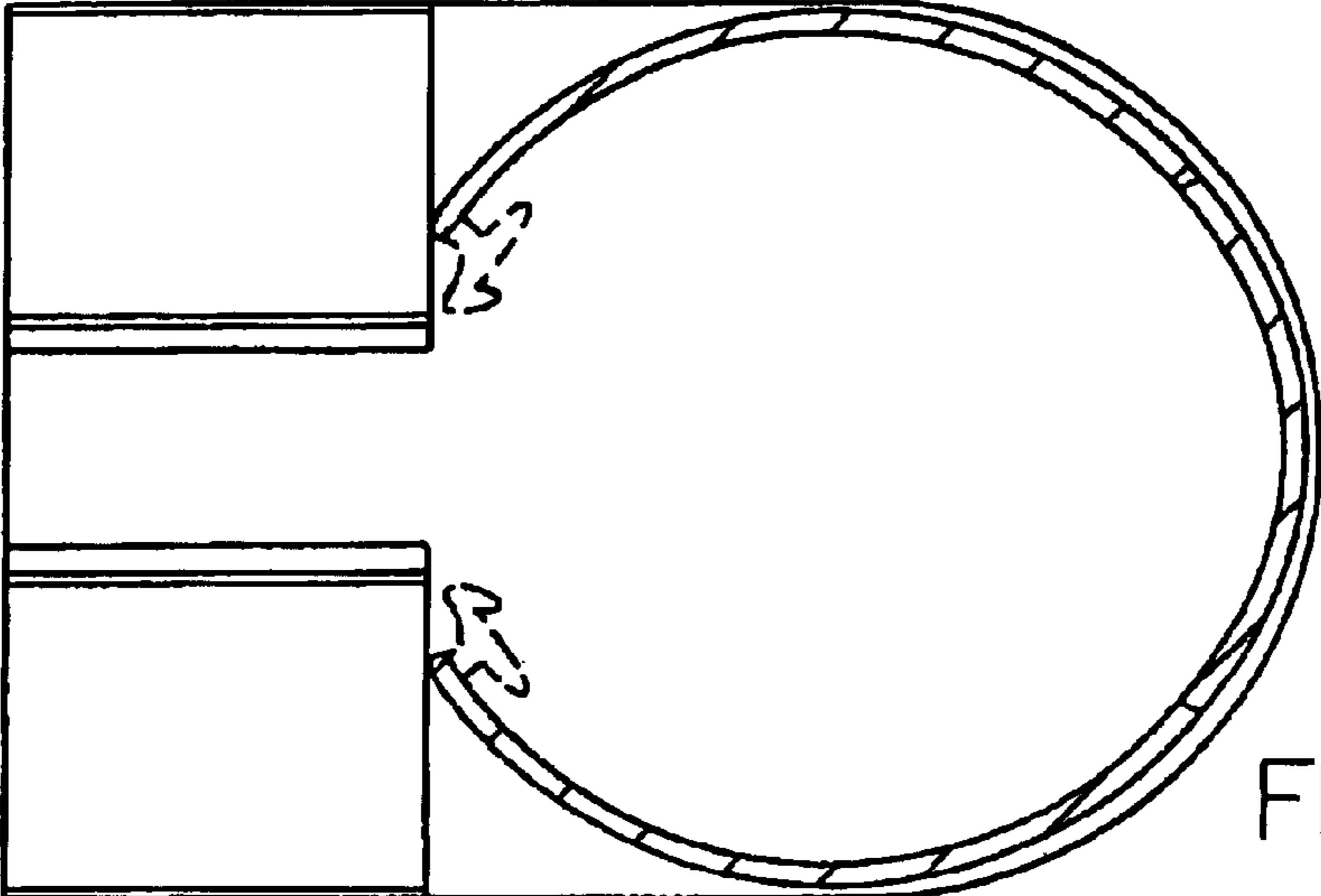
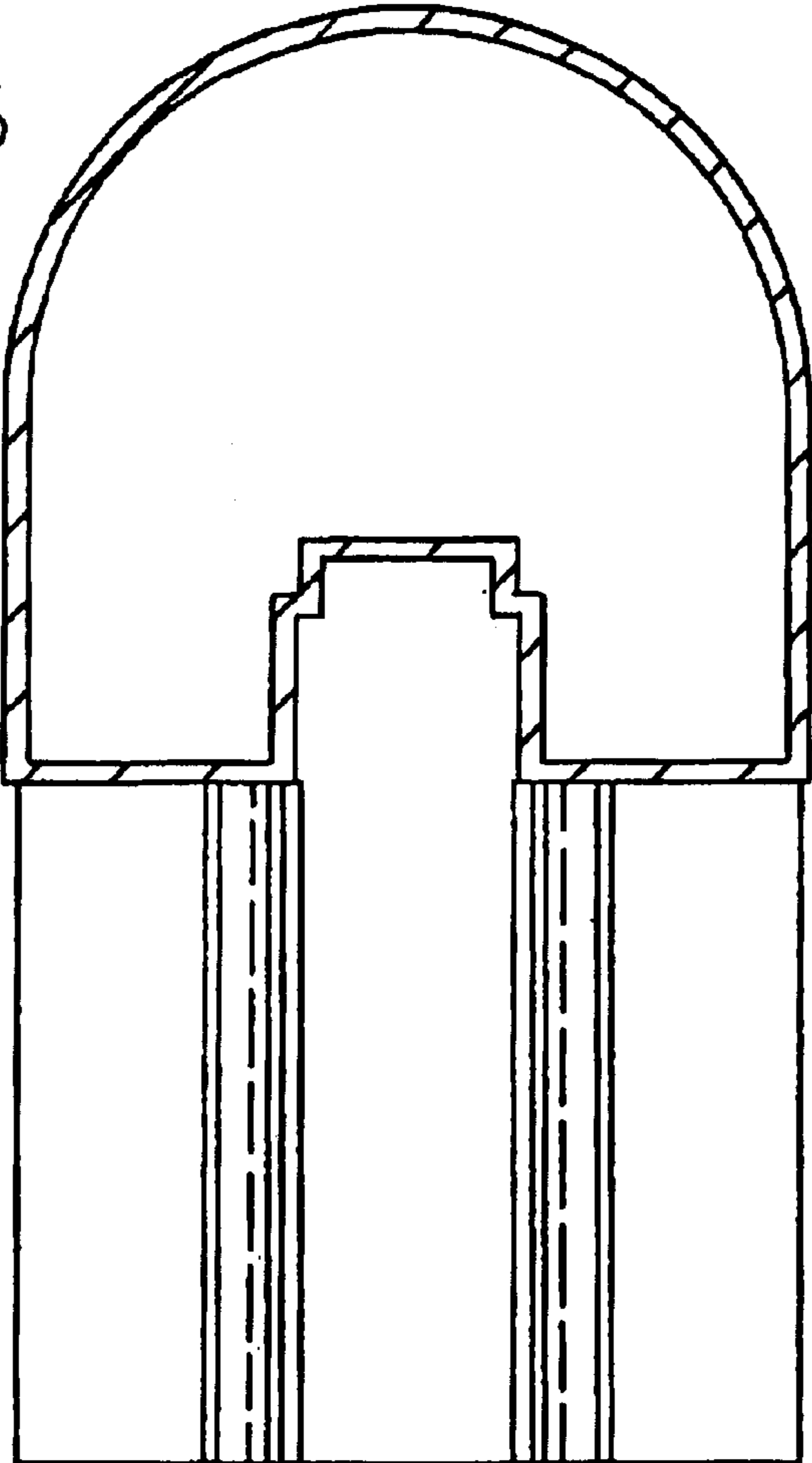


FIG 7