

US00D509542S

(12) **United States Design Patent**  
**Harrison**

(10) **Patent No.:** **US D509,542 S**  
(45) **Date of Patent:** **\*\* Sep. 13, 2005**

(54) **DISPLAY DEVICE**

(75) **Inventor:** **Adrian Harrison, Cotherstone (GB)**

(73) **Assignee:** **Glassfibre Flagpoles Limited,**  
**Darlington (GB)**

(\*\*) **Term:** **14 Years**

(21) **Appl. No.:** **29/188,775**

(22) **Filed:** **Aug. 22, 2003**

(30) **Foreign Application Priority Data**

Feb. 24, 2003 (GB) ..... 3011086

(51) **LOC (8) Cl.** ..... **20-03**

(52) **U.S. Cl.** ..... **D20/37**

(58) **Field of Search** ..... D20/10, 13, 15,  
D20/17, 22, 27-9, 37, 39-42, 99; D9/550;  
D14/900-902; 40/310, 330, 549, 606.04,  
606.07, 624, 642.01; 312/114, 116, 223.5

(56) **References Cited**

**U.S. PATENT DOCUMENTS**

D106,568 S \* 10/1937 Johns ..... D10/42  
2,477,086 A \* 7/1949 Riffert ..... 211/165  
D195,569 S \* 7/1963 Gleitsman et al. .... D6/414  
3,313,056 A \* 4/1967 Williams et al. .... 40/502  
3,538,882 A \* 11/1970 Price ..... 116/282

D259,081 S \* 5/1981 Sharpless et al. .... D99/28  
4,454,671 A \* 6/1984 Morgenstern ..... 40/606.12  
D274,629 S \* 7/1984 Plumettaz ..... D20/10  
D279,909 S \* 7/1985 Huston ..... D20/10  
5,116,204 A \* 5/1992 Power et al. .... 40/606.14  
D386,536 S \* 11/1997 Borgen ..... D20/43  
D417,894 S \* 12/1999 Herbst ..... D20/41  
D422,316 S \* 4/2000 Herbst ..... D20/19  
D474,245 S \* 5/2003 Abro ..... D20/41  
D483,411 S \* 12/2003 Herbst ..... D20/41

\* cited by examiner

*Primary Examiner*—Robert M. Spear

(74) *Attorney, Agent, or Firm*—Gardner Carton & Douglas  
LLP

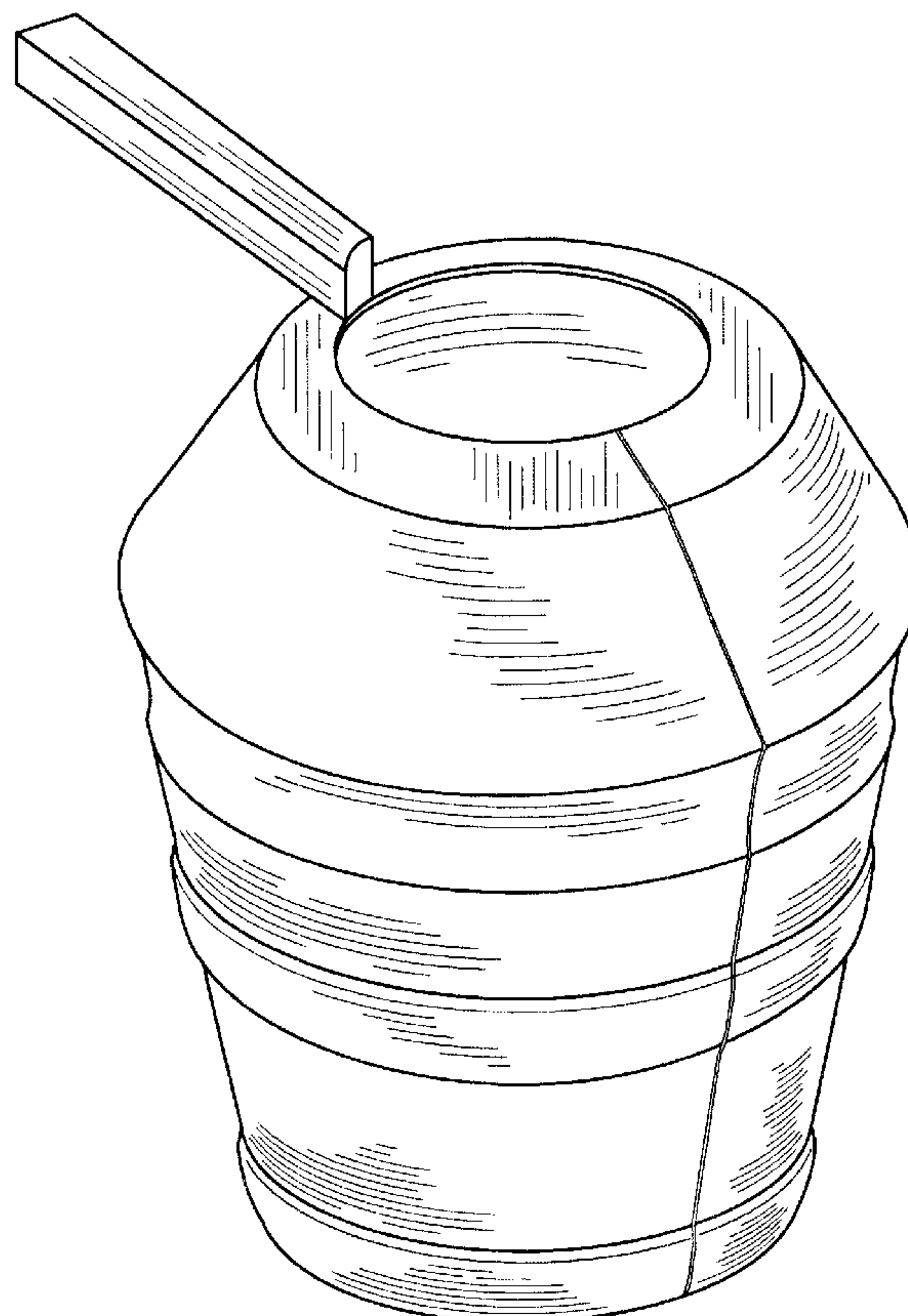
(57) **CLAIM**

The ornamental design for a display device, as shown.

**DESCRIPTION**

FIG. 1 is perspective view of the display device.  
FIG. 2 is a reduced scale top view of the display device.  
FIG. 3 is a side view of the display device.  
FIG. 4 is a view of the side of the display device opposite  
the side shown in FIG. 3.  
FIG. 5 is a bottom view of the display device; and,  
FIG. 6 is a fragmentary perspective sectional view of the  
display device.

**1 Claim, 4 Drawing Sheets**



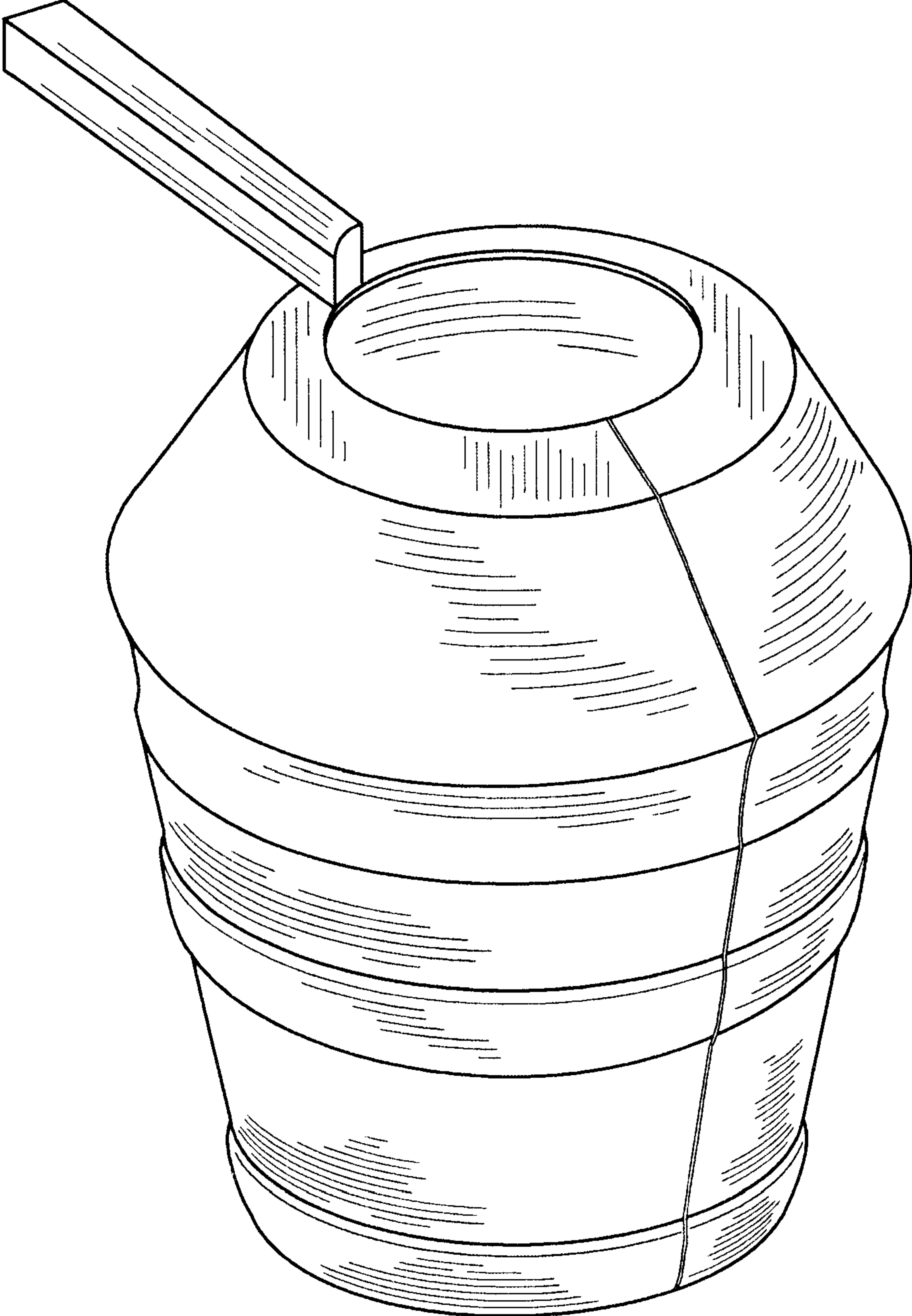


FIG. 1

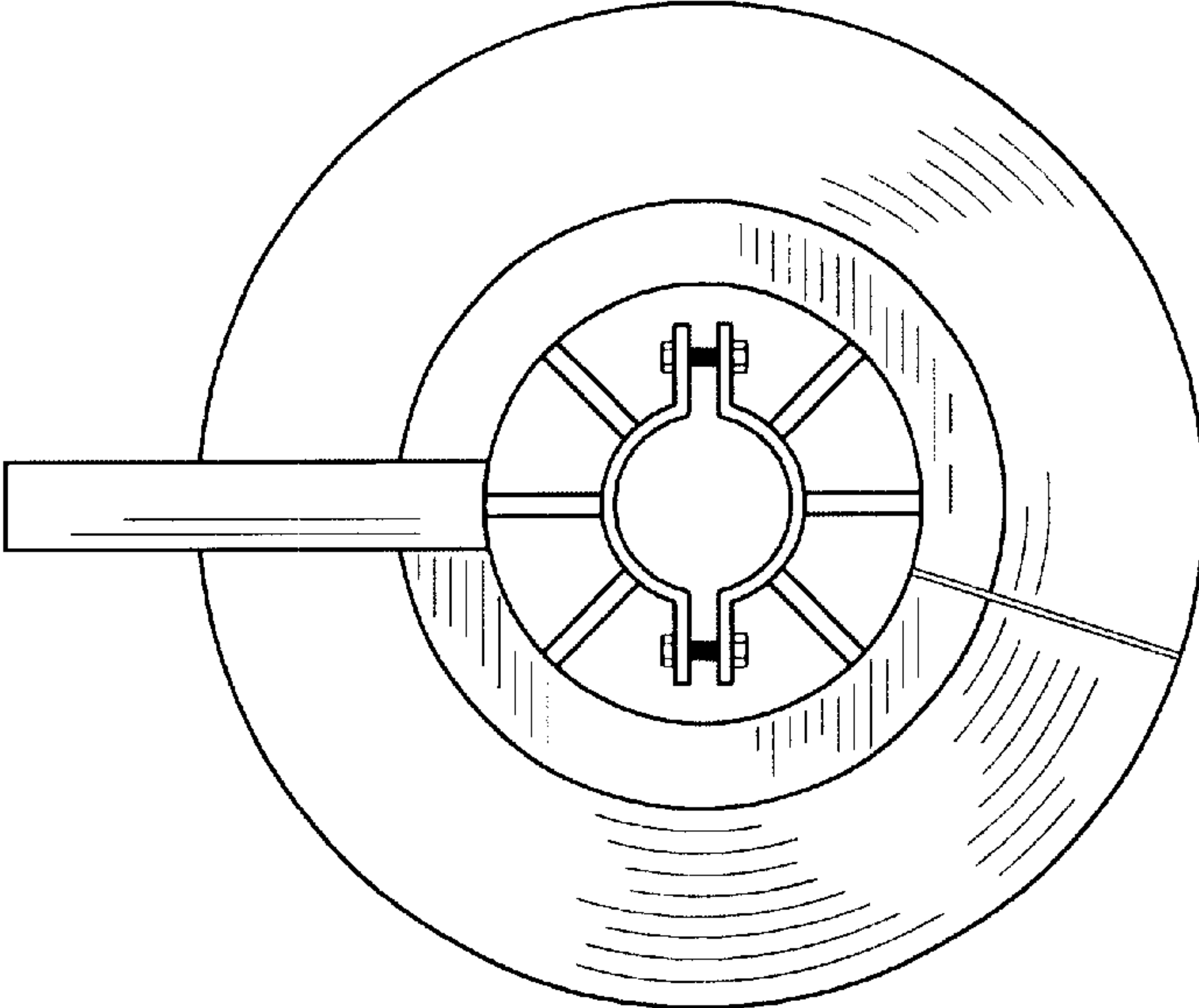


FIG. 2

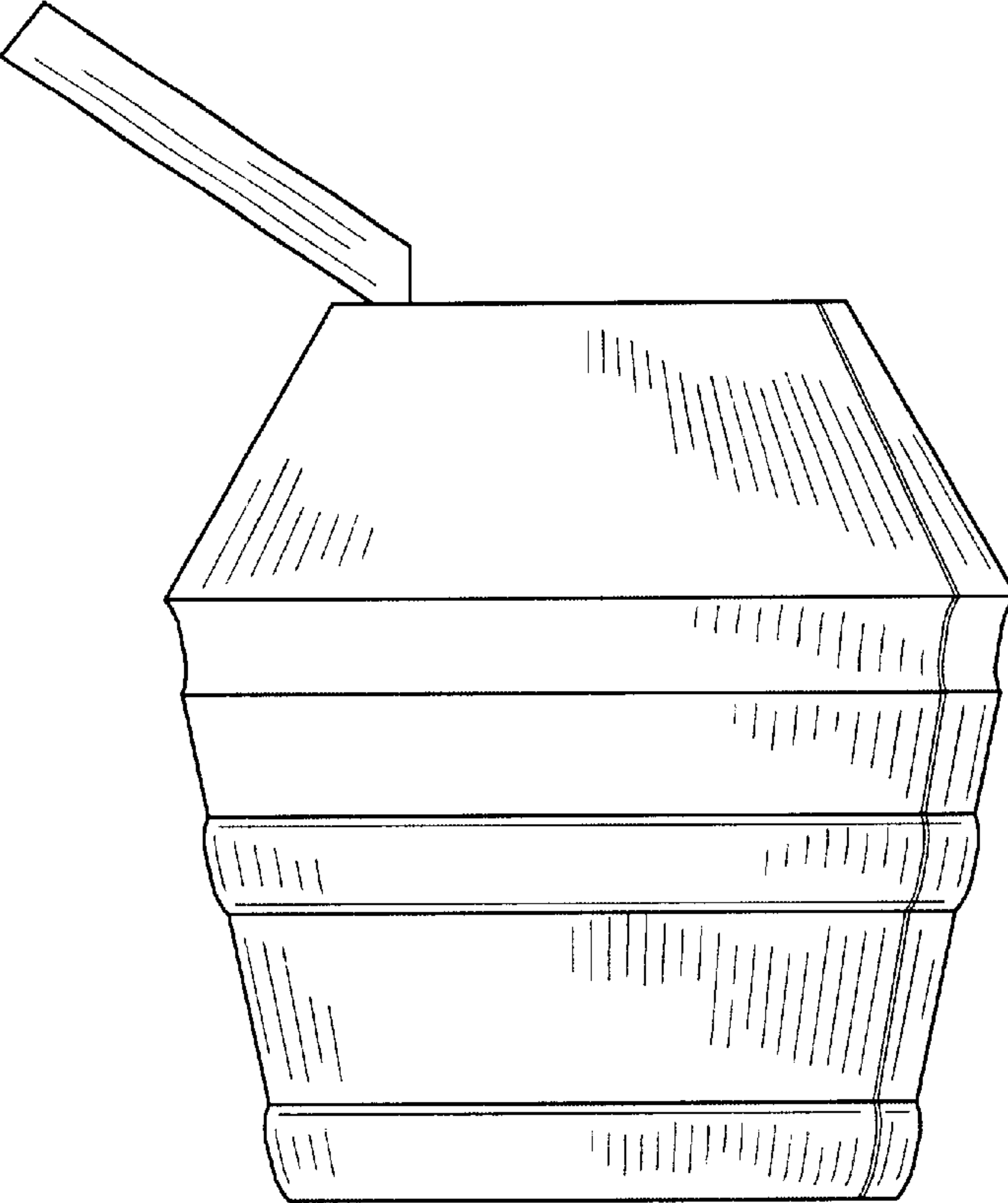


FIG. 3

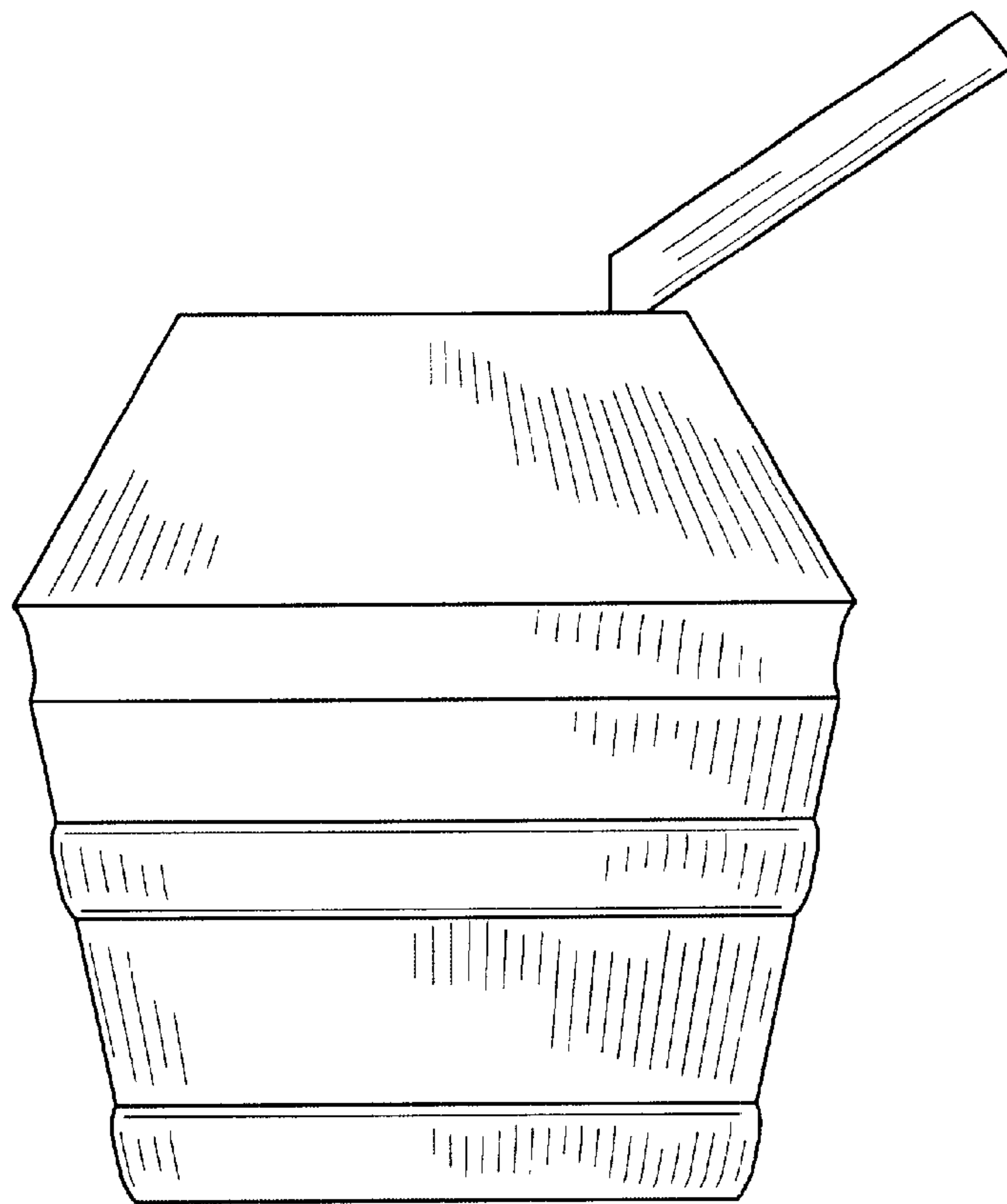


FIG. 4

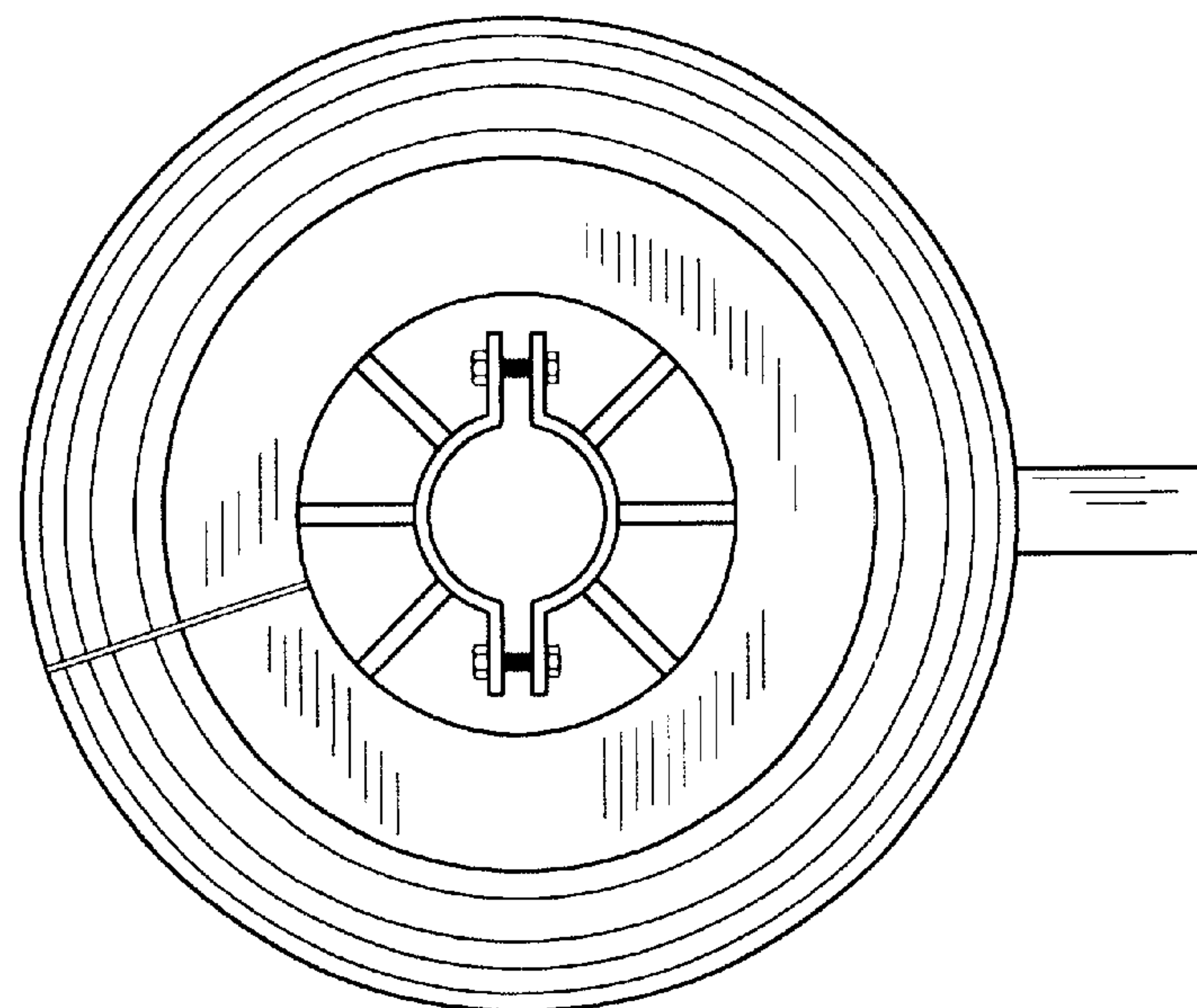


FIG. 5



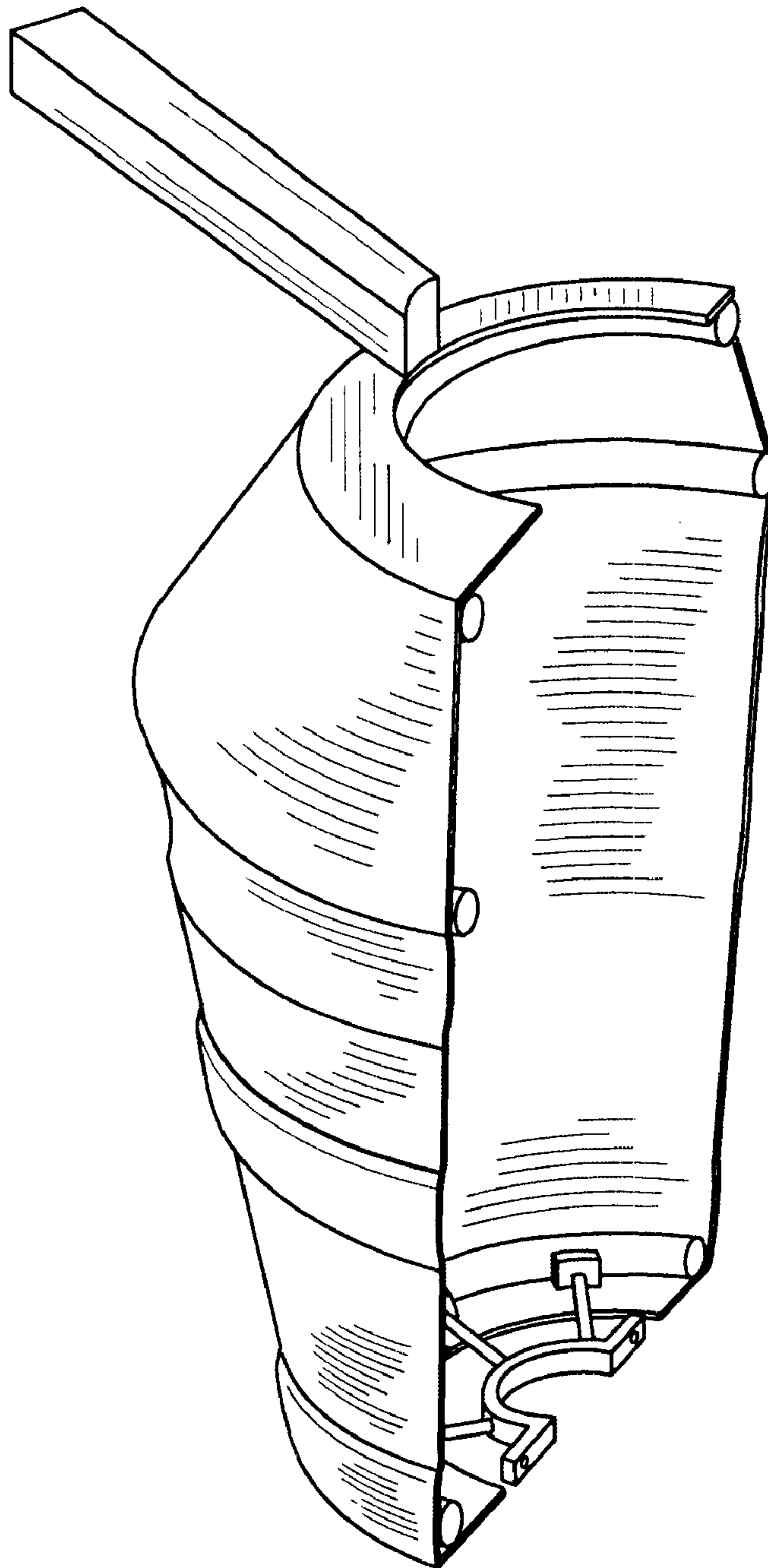


FIG. 6