

US00D509540S

(12) **United States Design Patent**
DeBruyne

(10) **Patent No.:** **US D509,540 S**

(45) **Date of Patent:** **** Sep. 13, 2005**

(54) **ENVELOPE MAIL SORTER**

(76) **Inventor:** **Kathleen Marguerite DeBruyne**, 3331
Spring Garden St., Apt. 2R,
Philadelphia, PA (US) 19104

(**) **Term:** **14 Years**

(21) **Appl. No.:** **29/188,106**

(22) **Filed:** **Aug. 14, 2003**

(51) **LOC (8) Cl.** **19-02**

(52) **U.S. Cl.** **D19/90; D19/97**

(58) **Field of Search** D19/75, 80, 86,
D19/90, 92, 97; D6/567; 211/11, 45, 50;
206/558, 561

(56) **References Cited**

U.S. PATENT DOCUMENTS

D142,493 S	*	10/1945	Owens	D19/92
4,438,852 A	*	3/1984	Evans	211/11
D296,162 S	*	6/1988	Allen et al.	D6/407
4,974,733 A	*	12/1990	Evans	211/11
D323,855 S	*	2/1992	Evenson	D19/92

D439,279 S	*	3/2001	McColskey et al.	D19/90
D489,096 S	*	4/2004	Chen	D19/90
D495,007 S	*	8/2004	Stravitz	D19/90

* cited by examiner

Primary Examiner—Caron D. Veynar

Assistant Examiner—Vy Nguyen

(74) *Attorney, Agent, or Firm*—John F. A. Earley; John F. A. Earley, III; Harding, Earley, Follmer & Frailey

(57) **CLAIM**

I claim the ornamental design for an envelope mail sorter, as shown and described.

DESCRIPTION

FIG. 1 is a front elevational view of the envelope mail sorter showing my design;

FIG. 2 is a rear elevational view thereof;

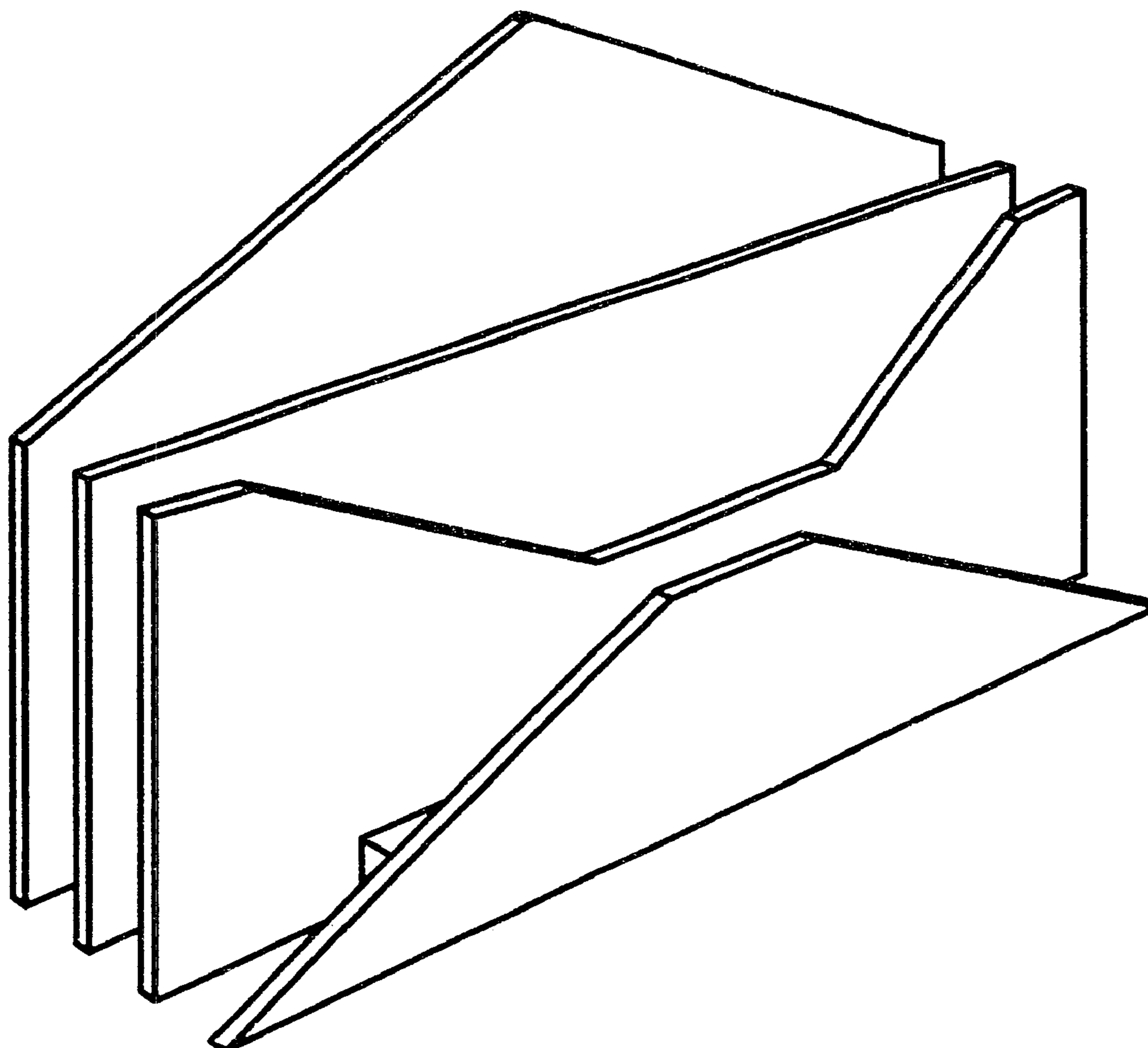
FIG. 3 is a top plan view thereof;

FIG. 4 is a bottom plan view thereof;

FIG. 5 is a left side elevational view thereof, the right side being a mirror thereof; and,

FIG. 6 is a front top left perspective view thereof.

1 Claim, 3 Drawing Sheets



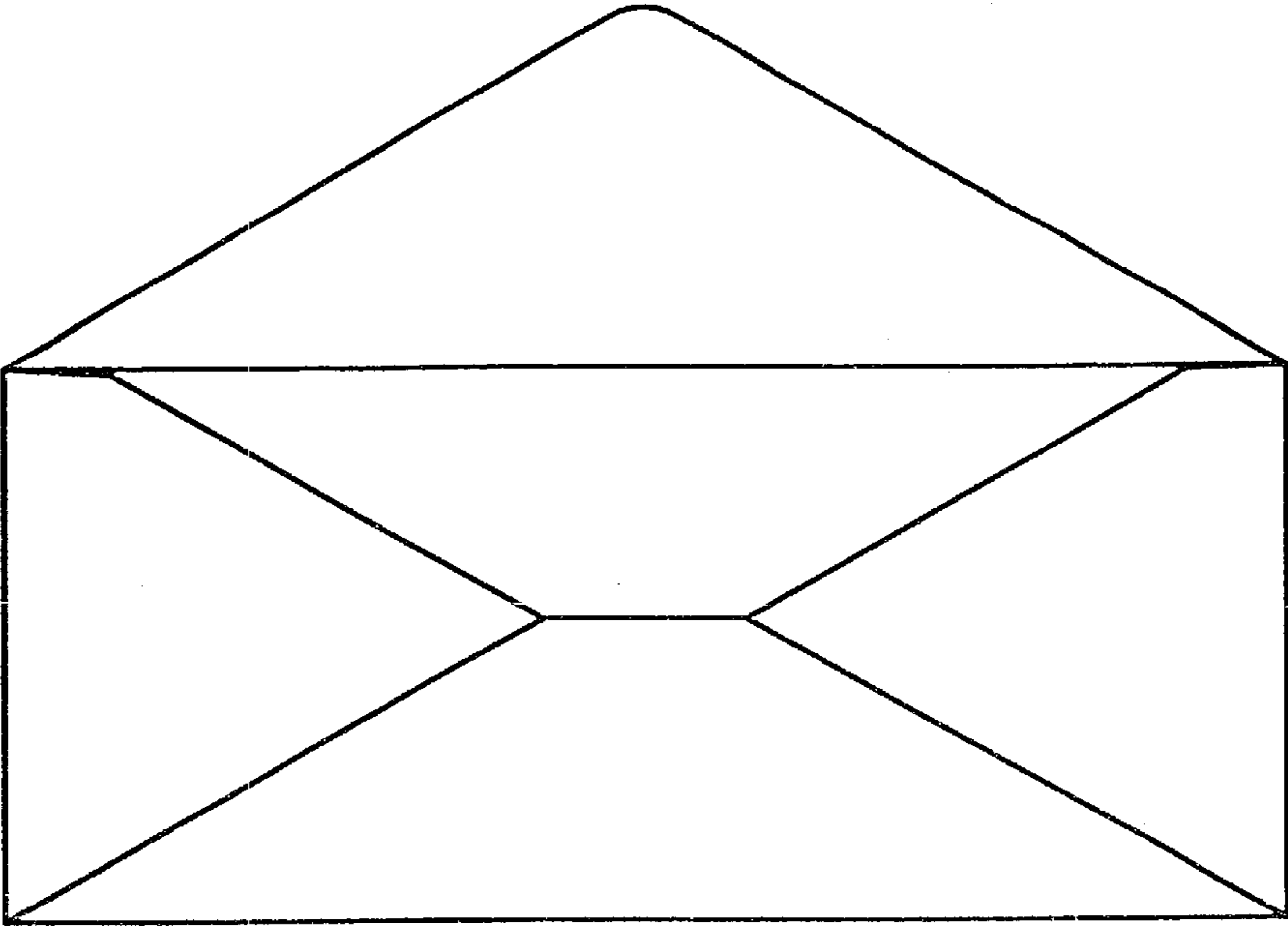


Fig.1.

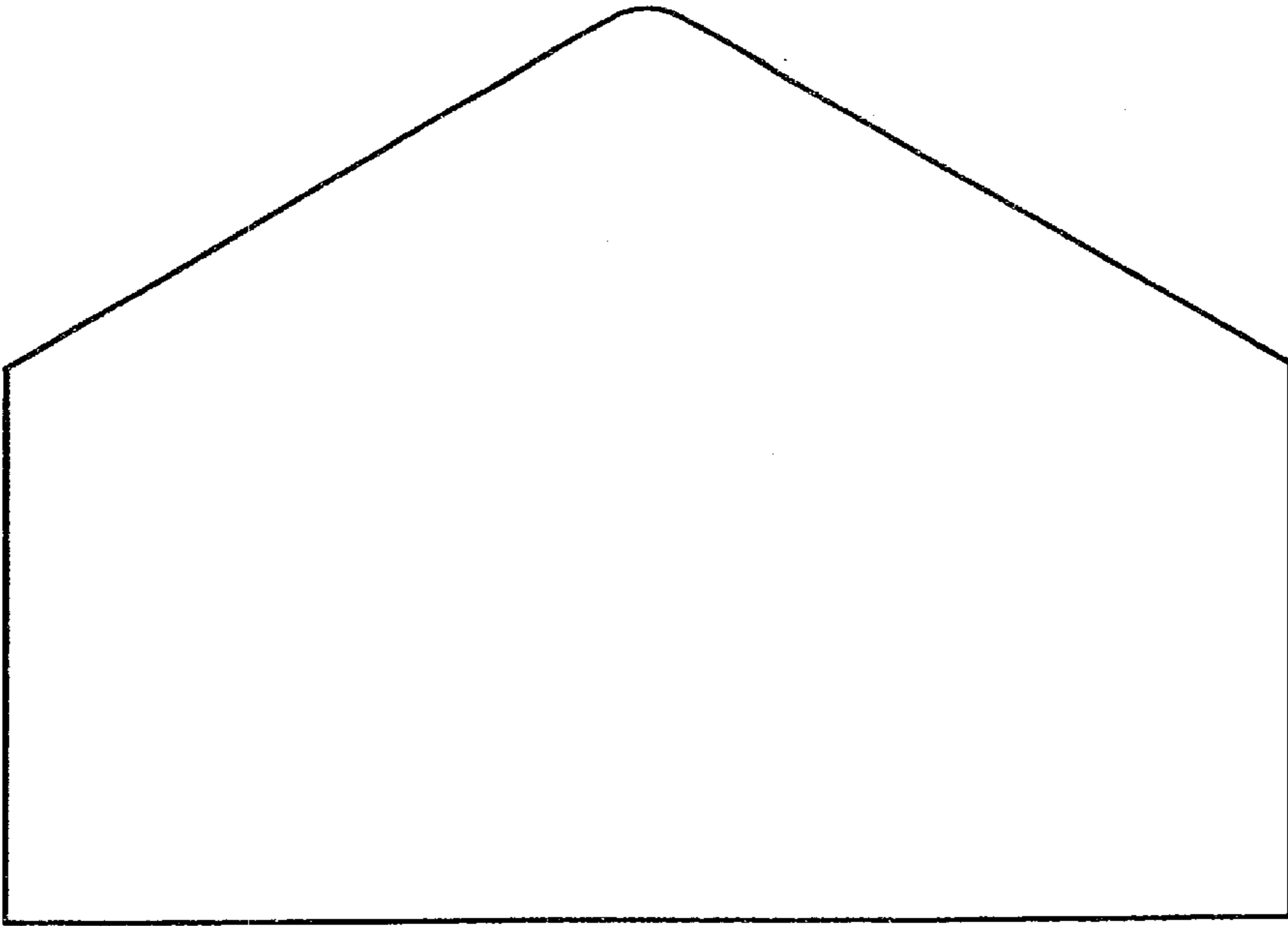


Fig.2.

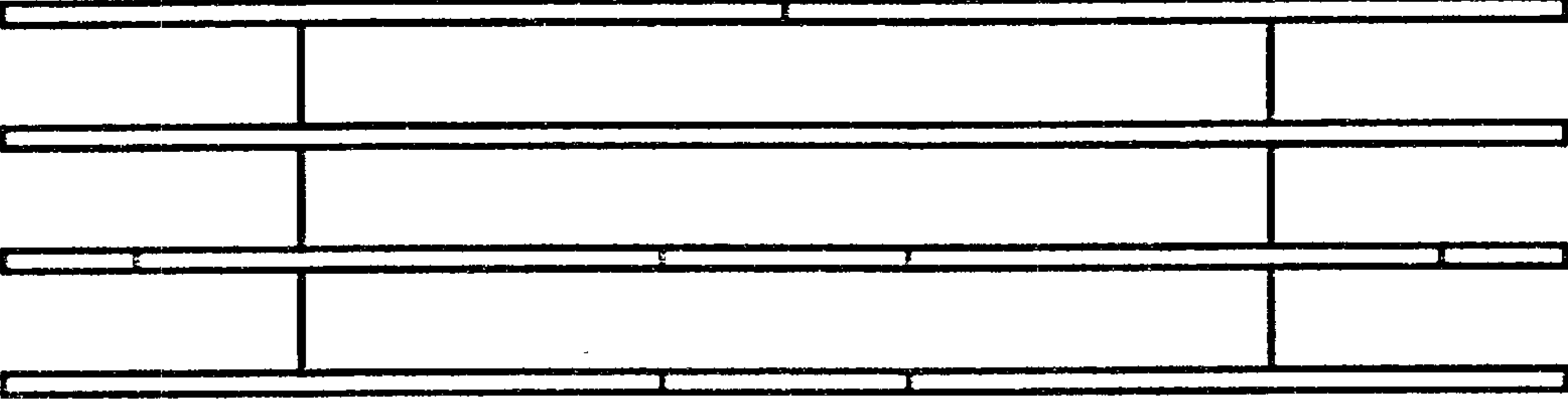


Fig. 3.

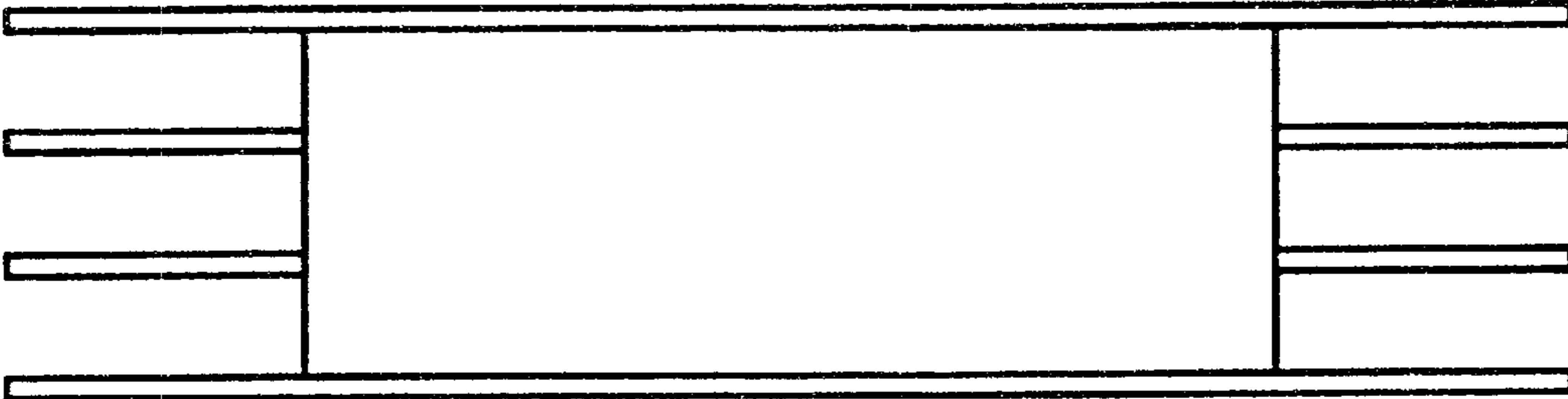


Fig. 4.

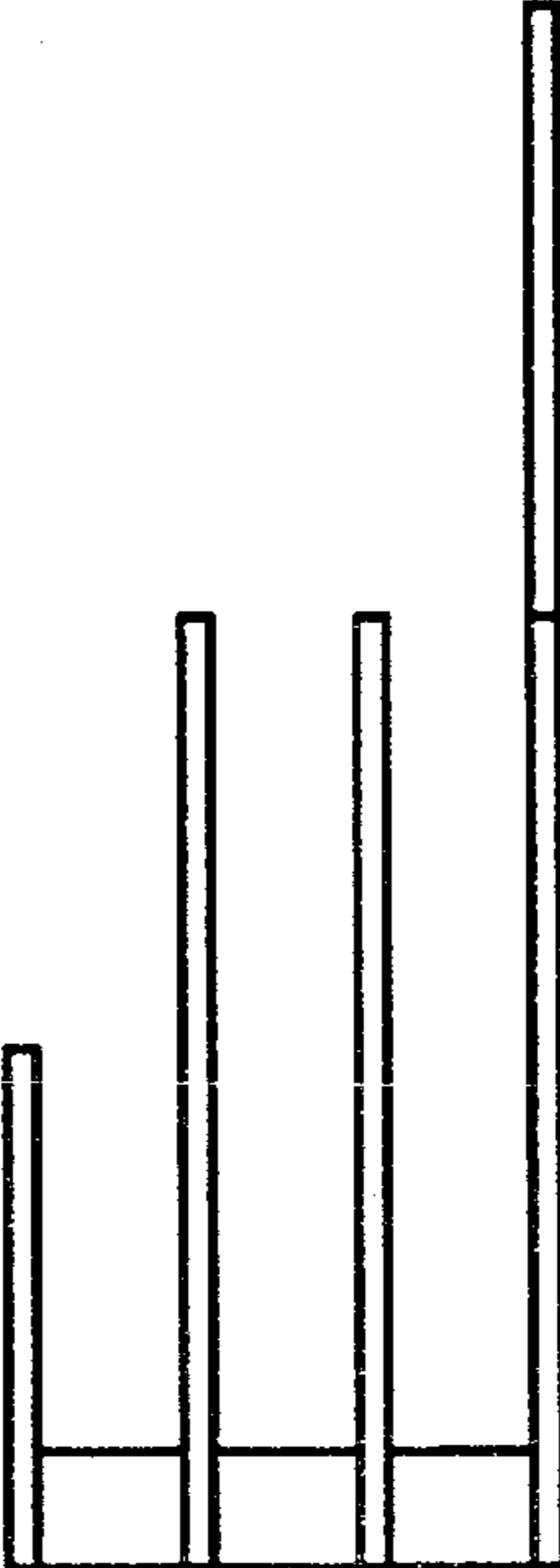


Fig. 5.

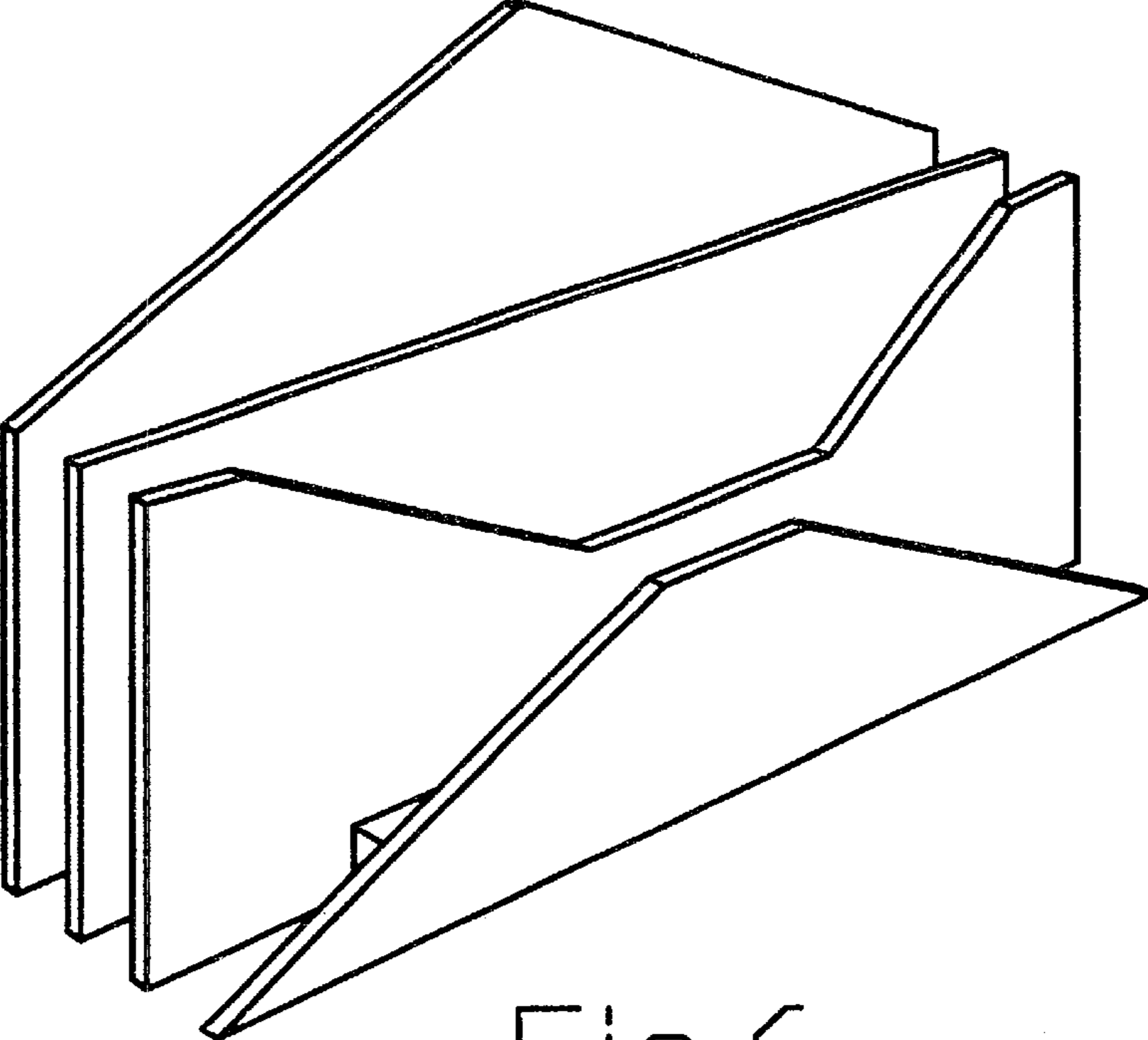


Fig. 6.