

US00D509535S

(12) **United States Design Patent**
Tsujino

(10) **Patent No.:** **US D509,535 S**

(45) **Date of Patent:** **** Sep. 13, 2005**

(54) **FASTENER FOR FILE**

(75) **Inventor:** **Nobuaki Tsujino, Osaka (JP)**

(73) **Assignee:** **Kokuyo Co. Ltd., Osaka (JP)**

(**) **Term:** **14 Years**

(21) **Appl. No.:** **29/198,918**

(22) **Filed:** **Feb. 9, 2004**

(30) **Foreign Application Priority Data**

Aug. 19, 2003 (JP) D2003-023943

(51) **LOC (8) Cl.** **19-04**

(52) **U.S. Cl.** **D19/32**

(58) **Field of Search** D19/26, 27, 28,
D19/29, 30, 31, 32, 33; 281/27.1, 27.2,
27.3; 402/1, 3, 4, 31, 32, 33, 34, 35, 36,
37, 38, 39, 40, 41, 43

(56) **References Cited**

U.S. PATENT DOCUMENTS

435,412 A *	9/1890	Fish	402/1
485,102 A *	10/1892	Grantland	402/1
531,887 A *	1/1895	Wilkes	402/1
878,320 A *	2/1908	Spiro	402/1
1,507,547 A *	9/1924	Grunewald	402/24
1,623,824 A *	4/1927	Bondeson et al.	402/1
2,519,932 A *	8/1950	Rostoker et al.	402/34
3,083,713 A *	4/1963	Meurer	402/35
4,830,528 A *	5/1989	Handler	402/34
4,832,521 A *	5/1989	Handler	402/34
D346,403 S *	4/1994	Ros	D19/75

5,618,121 A *	4/1997	Hsu	402/1
5,697,722 A *	12/1997	Hladik et al.	402/35
6,637,968 B2 *	10/2003	Ko	402/41
6,659,676 B2 *	12/2003	Zheng	402/60
2003/0044221 A1 *	3/2003	To et al.	402/41

* cited by examiner

Primary Examiner—Joel A. Sincavage

Assistant Examiner—Elizabeth Albert

(74) *Attorney, Agent, or Firm*—Banner & Witcoff, Ltd.

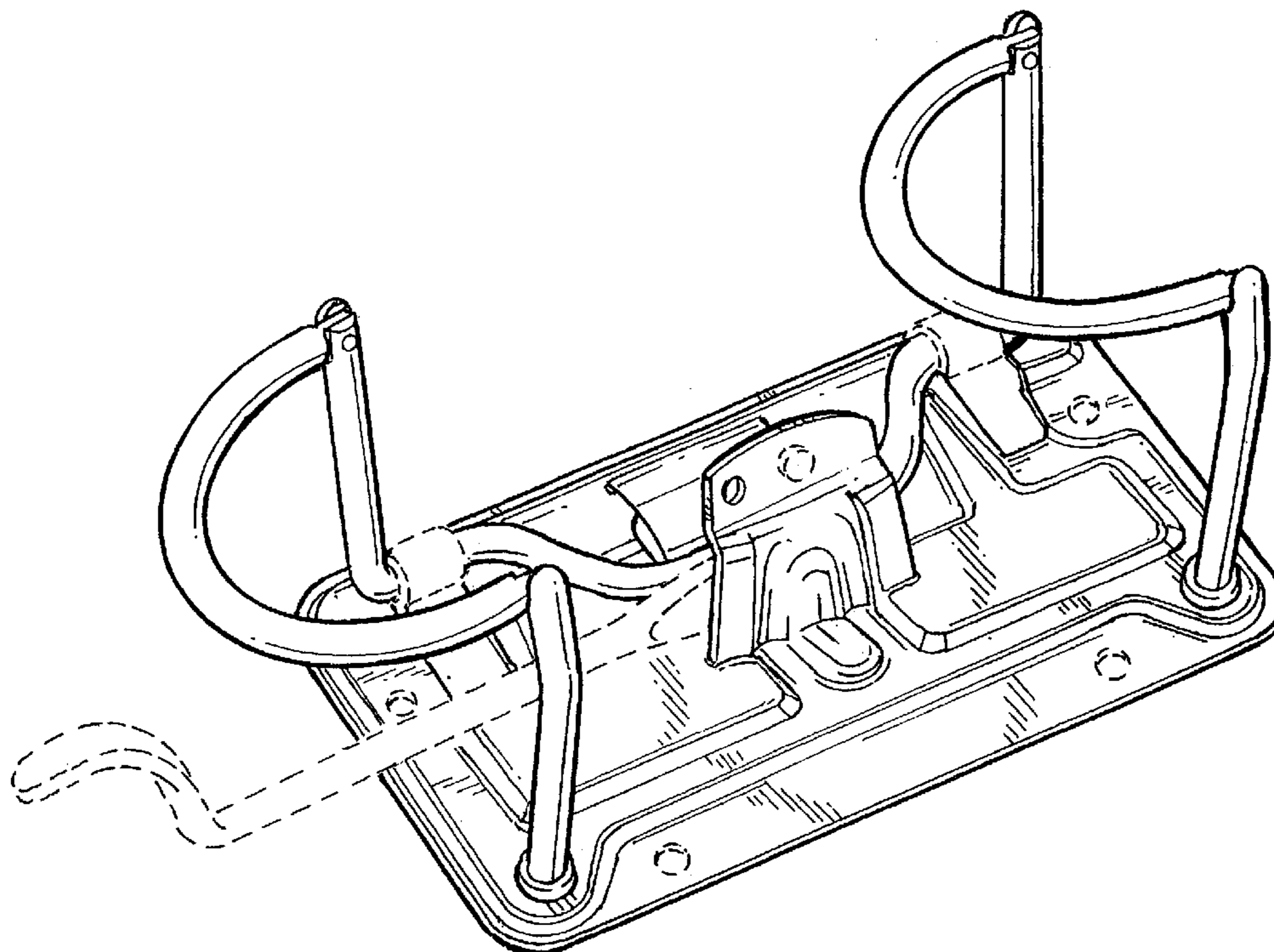
(57) **CLAIM**

The ornamental design for a fastener for file, as shown and described.

DESCRIPTION

FIG. 1 is a front elevational view of a fastener for file showing my new design;
 FIG. 2 is a rear elevational view thereof;
 FIG. 3 is a top plan view thereof;
 FIG. 4 is a bottom plan view thereof;
 FIG. 5 is a right side elevational view thereof;
 FIG. 6 is a left side view thereof;
 FIG. 7 is a perspective view thereof;
 FIG. 8 is a perspective view with arch portions in an upright position thereof; and,
 FIG. 9 is a perspective view of the fastener for file on a reduced scale shown in position of use on a disclaimed file. The remainder of the fastener for file shown in broken lines and the file shown in broken lines in FIG. 9 are for illustration purposes only and form no part of the claimed design.

1 Claim, 5 Drawing Sheets



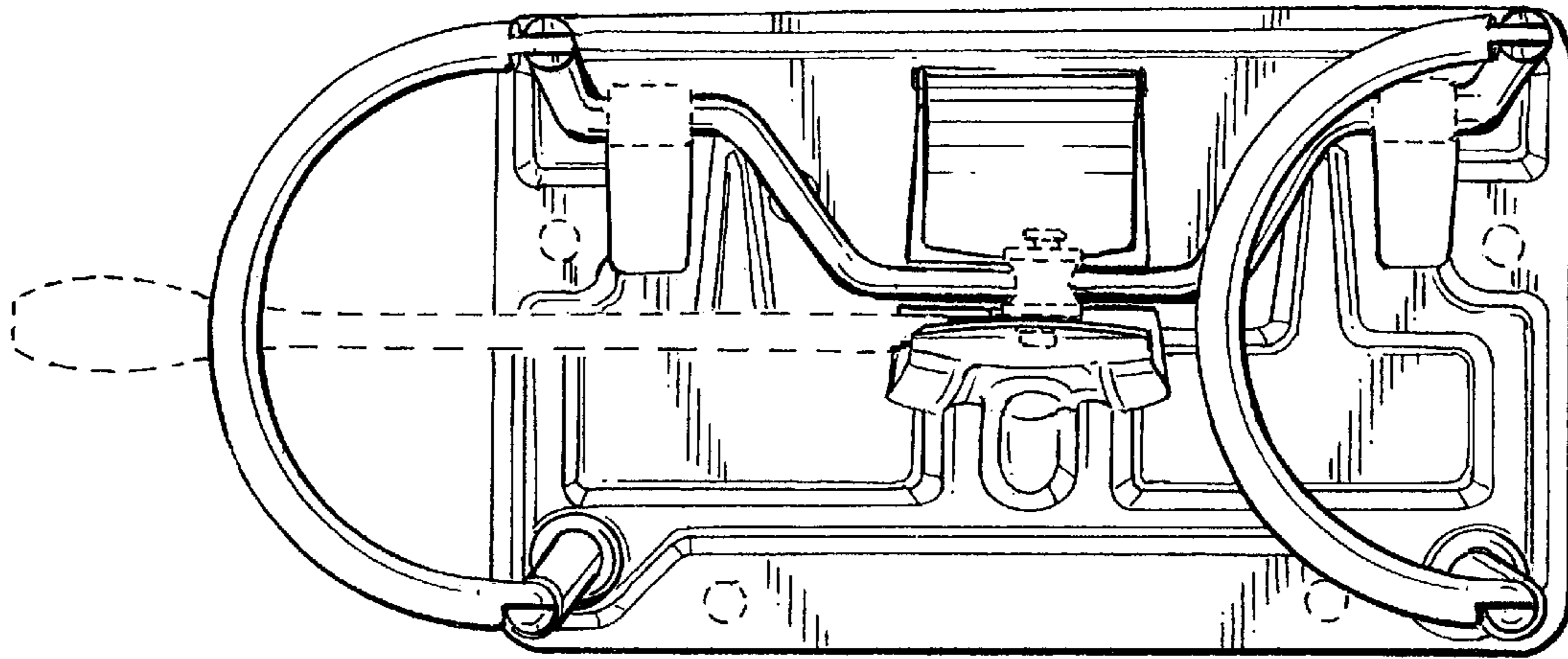


FIG. 1

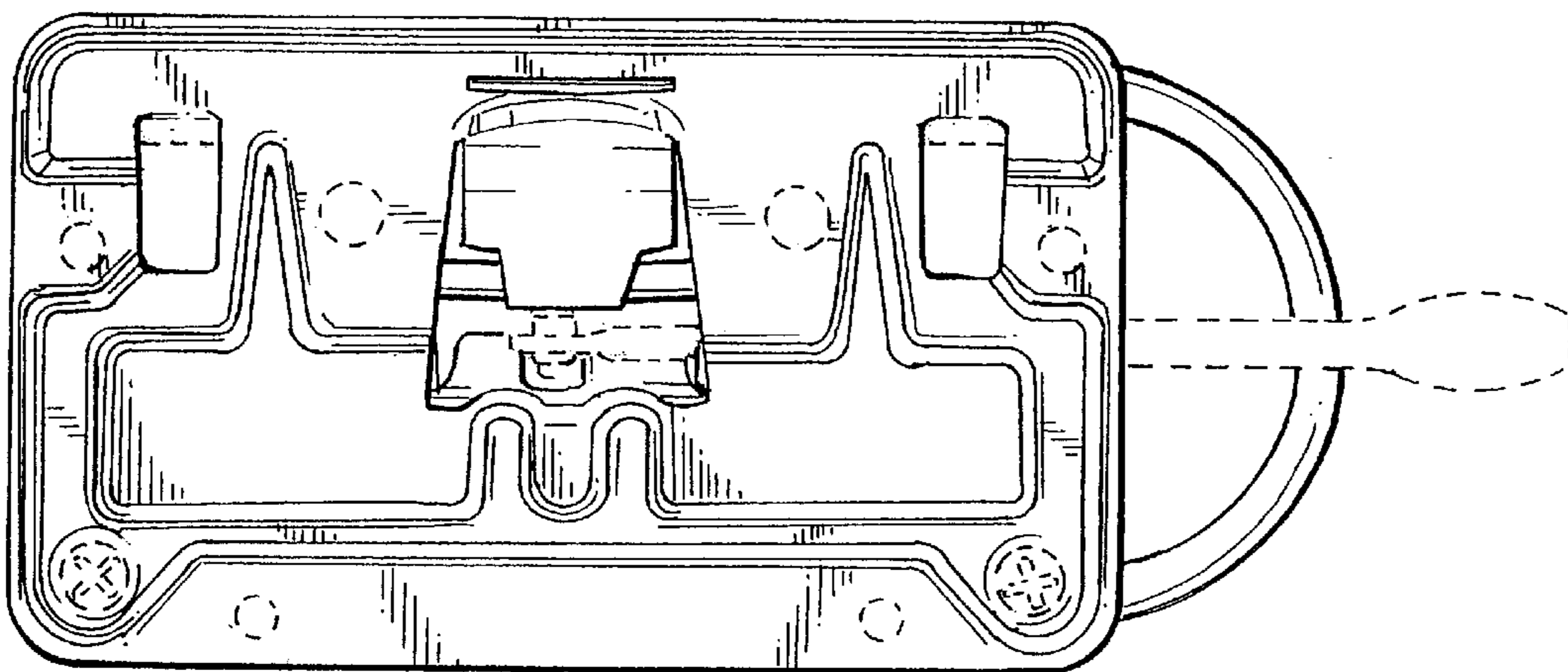


FIG. 2

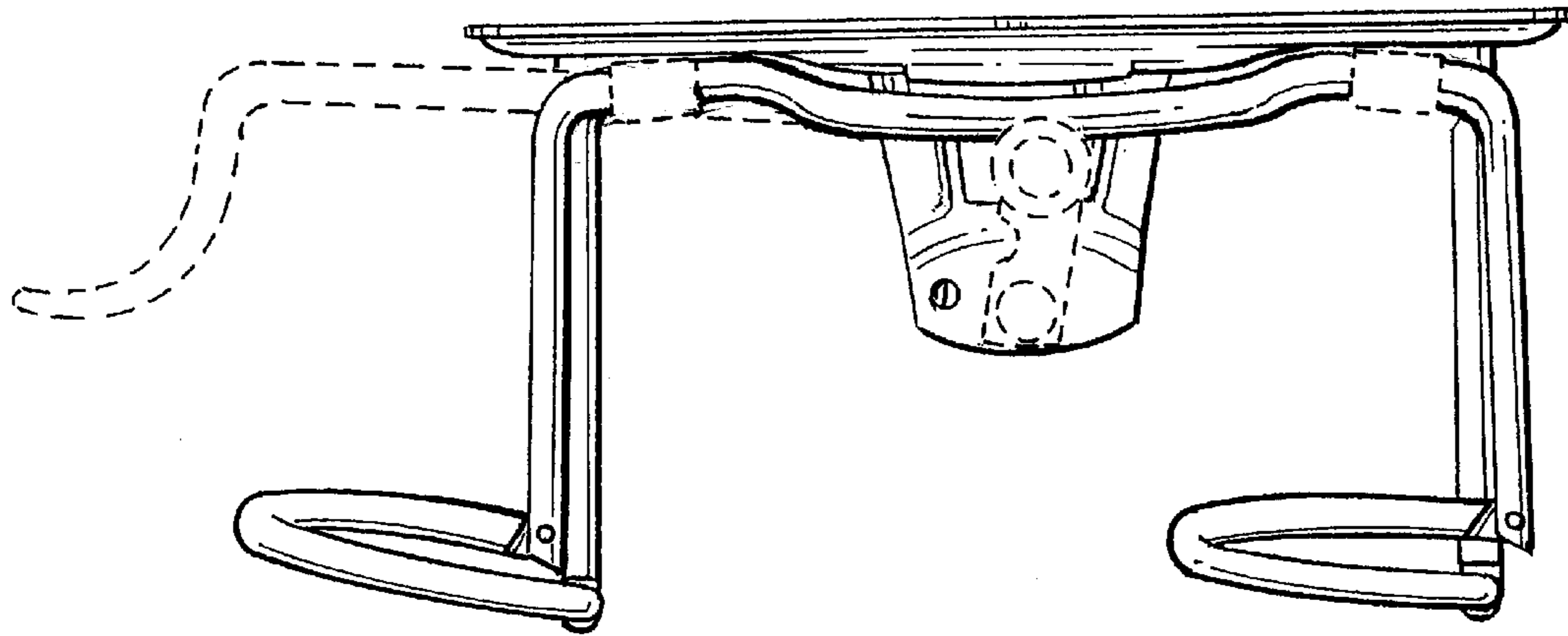


FIG. 3

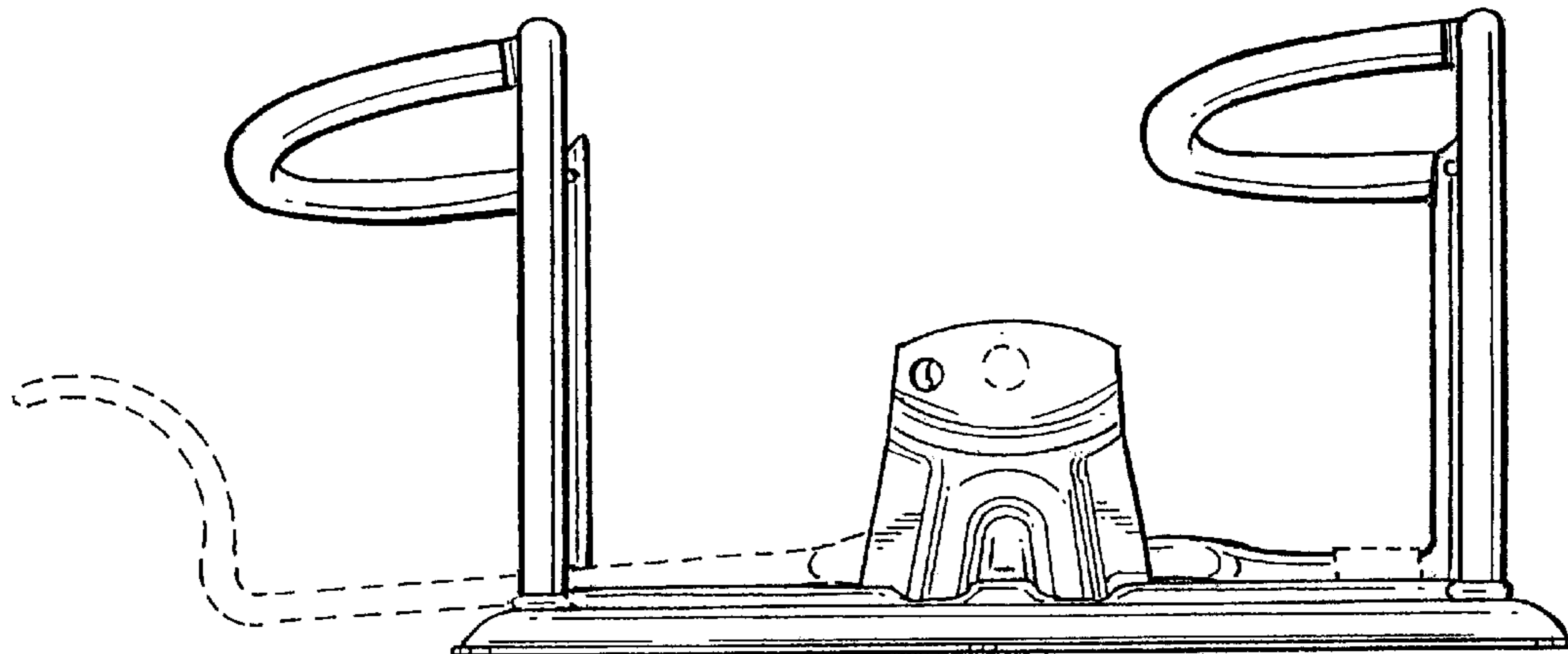


FIG. 4

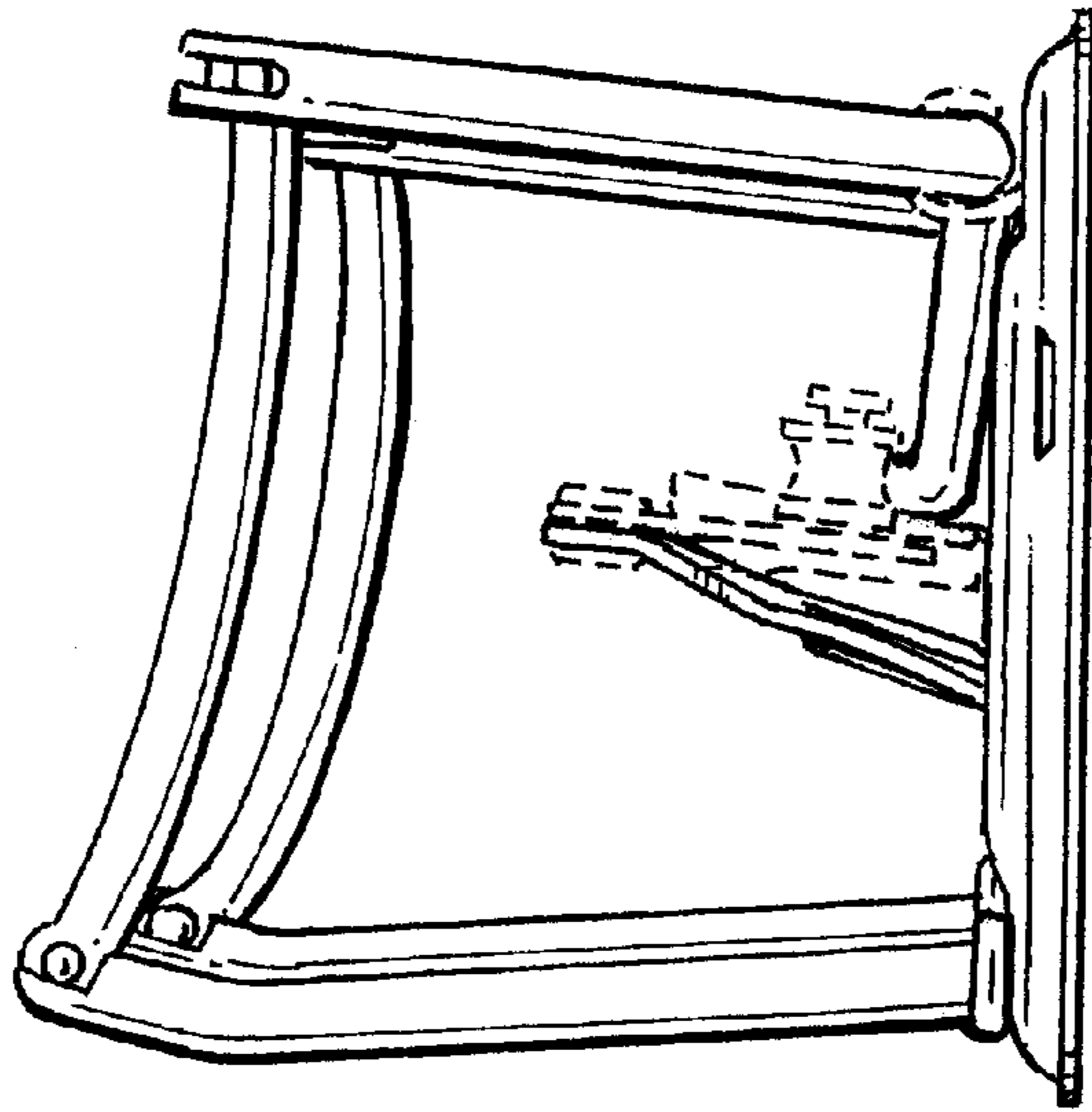


FIG. 5

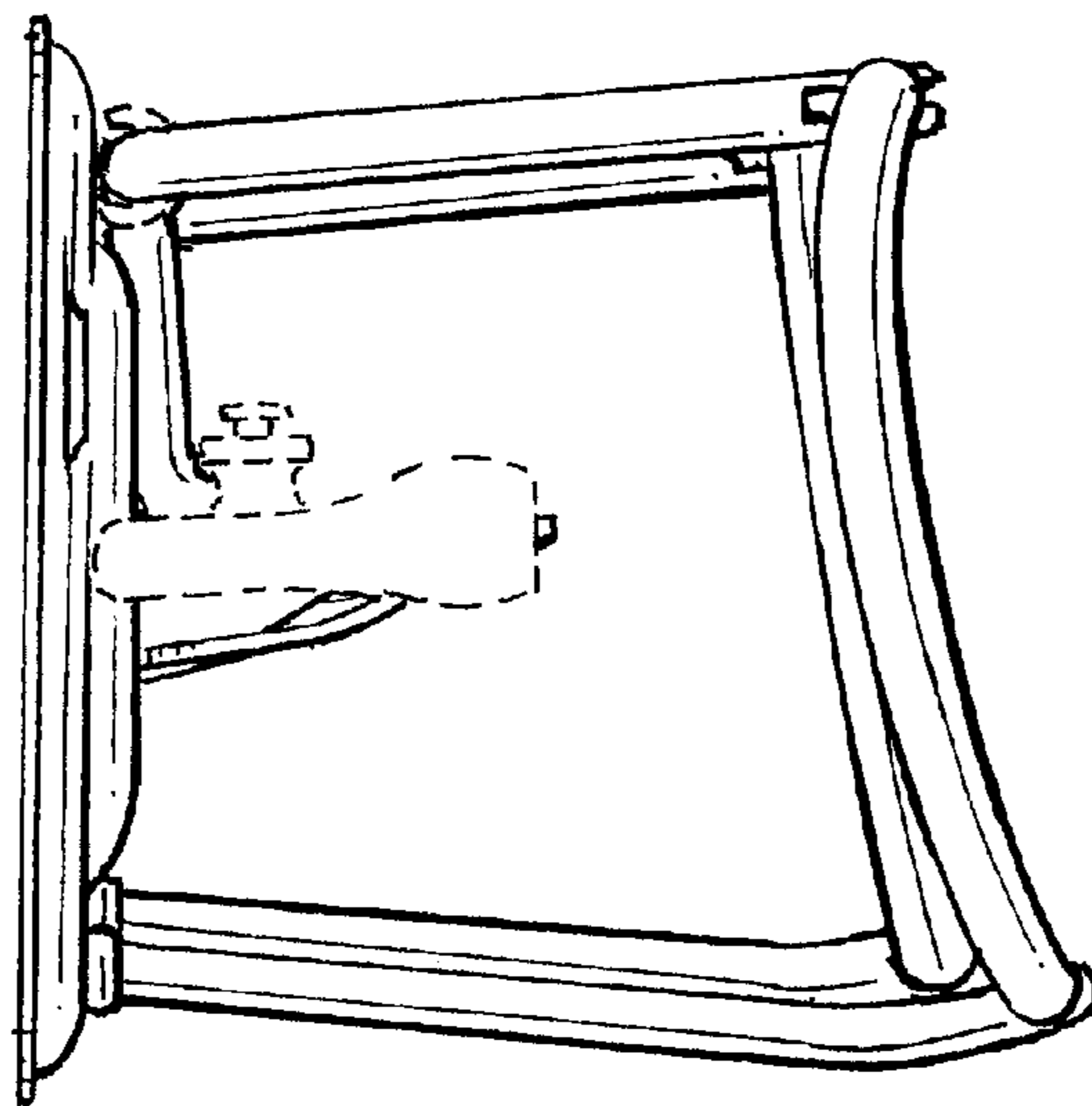


FIG. 6

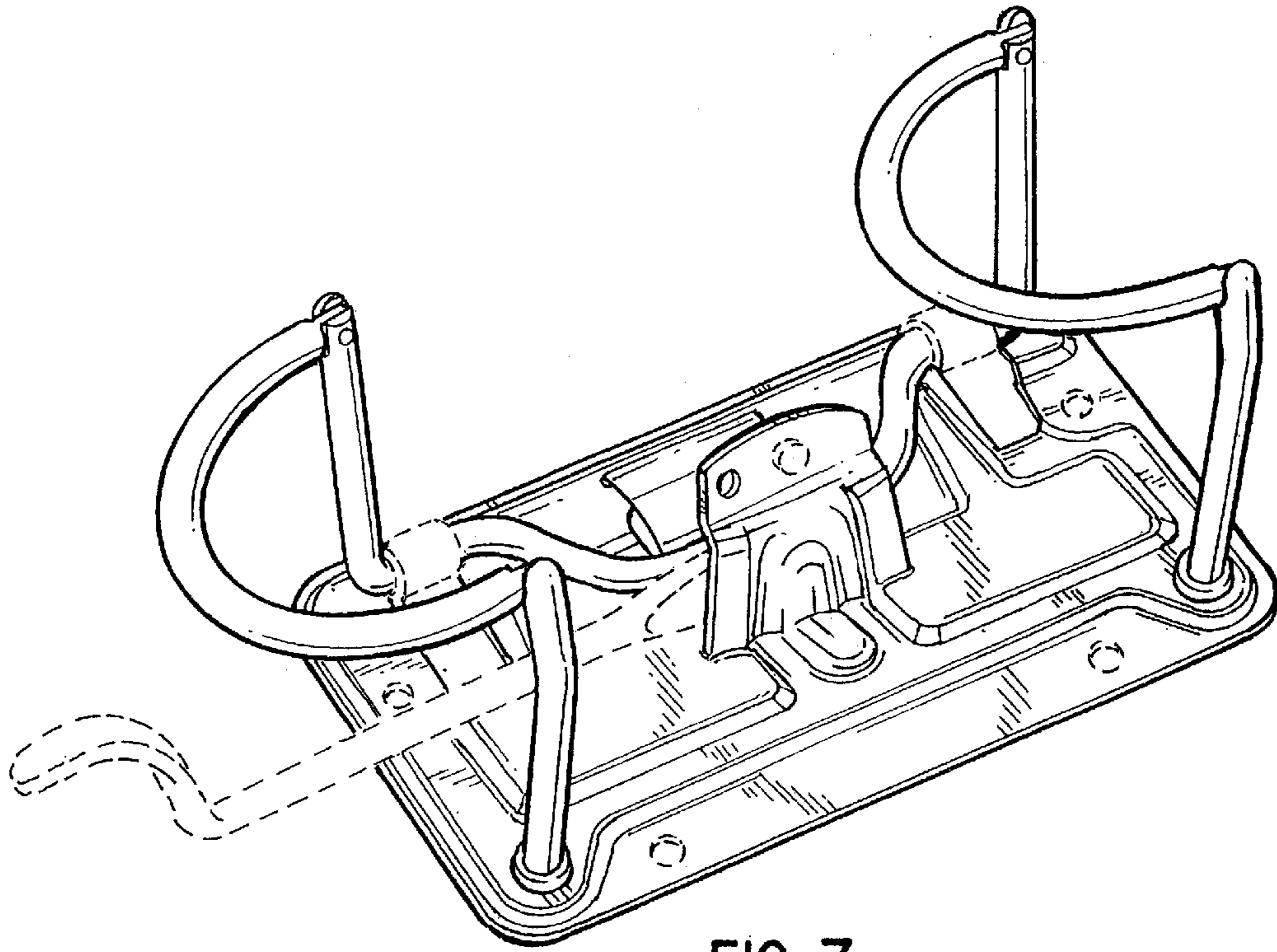


FIG. 7

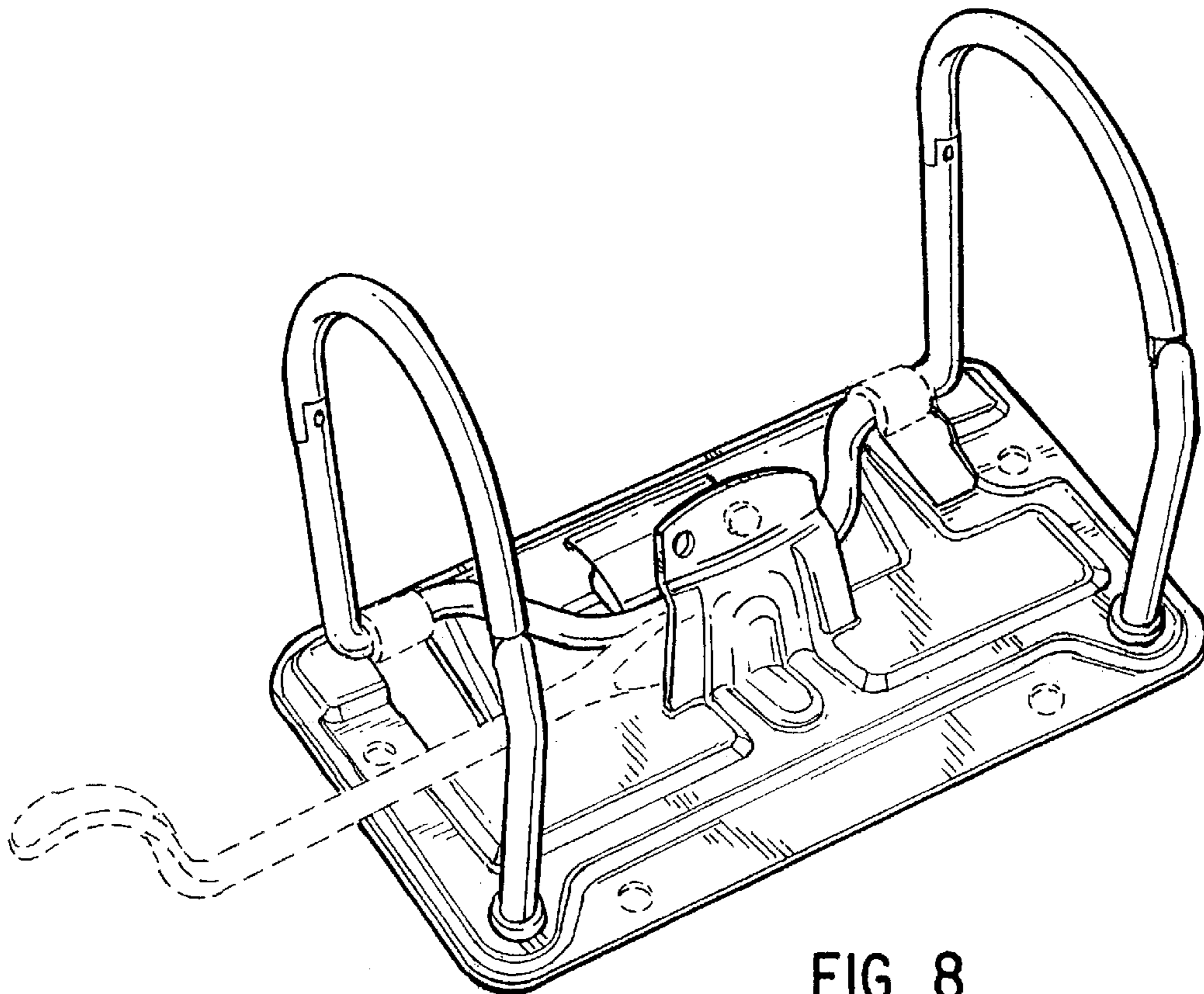


FIG. 8

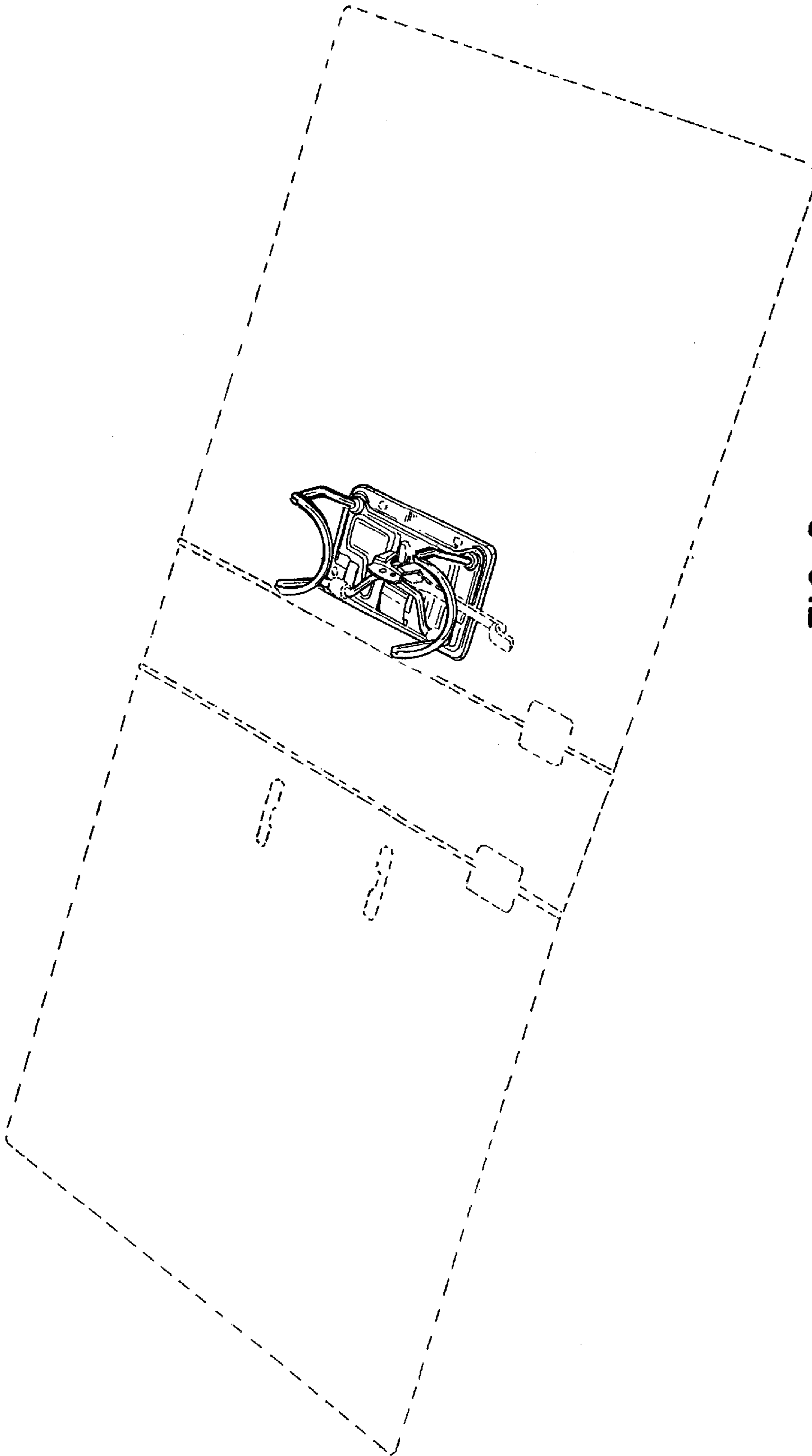


FIG. 9