

US00D509534S

(12) **United States Design Patent**
Suzuki

(10) **Patent No.:** **US D509,534 S**
(45) **Date of Patent:** **** Sep. 13, 2005**

(54) **PUSHBUTTON FOR PRINTER WITH
COPYING AND FACSIMILE FUNCTIONS**

(75) Inventor: **Yuto Suzuki, Anjyo (JP)**

(73) Assignee: **Brother Industries, Ltd., Nagoya (JP)**

(**) Term: **14 Years**

(21) Appl. No.: **29/178,323**

(22) Filed: **Mar. 26, 2003**

(30) **Foreign Application Priority Data**

Dec. 13, 2002 (JP) 2002-034769

(51) **LOC (8) Cl.** **14-02**

(52) **U.S. Cl.** **D18/50; D14/248; D14/471;**
D18/41

(58) **Field of Search** D18/36-41, 50-56,
D18/7; D14/191, 218, 247, 248, 388, 399-401,
414, 415, 454-456, 462-471; D13/163;
D10/104, 106; 399/81, 1-7, 75, 130, 151;
D19/59, 60

(56) **References Cited**

U.S. PATENT DOCUMENTS

- D218,242 S * 8/1970 Gompes et al. D21/479
- D219,917 S * 2/1971 Skinner D21/500
- D239,383 S * 3/1976 Satten D19/59
- D319,158 S * 8/1991 Jones et al. D6/491

- D339,560 S * 9/1993 Byrd D12/203
- D339,996 S * 10/1993 Rattley D10/104
- D354,490 S * 1/1995 Darbee et al. D14/218
- D359,526 S * 6/1995 Keung D21/324
- D379,469 S * 5/1997 Nobata D18/50
- D382,321 S * 8/1997 Anderson et al. D21/791
- D407,748 S * 4/1999 Tsang et al. D19/60
- D423,509 S * 4/2000 Park D14/218
- D423,969 S * 5/2000 Springer et al. D10/104
- D428,412 S * 7/2000 Davis D14/341
- D433,675 S * 11/2000 Carranco et al. D14/218
- D437,879 S * 2/2001 Weinandt D18/50

* cited by examiner

Primary Examiner—Caron D. Veynar

(74) *Attorney, Agent, or Firm*—Oliff & Berridge, PLC

(57) **CLAIM**

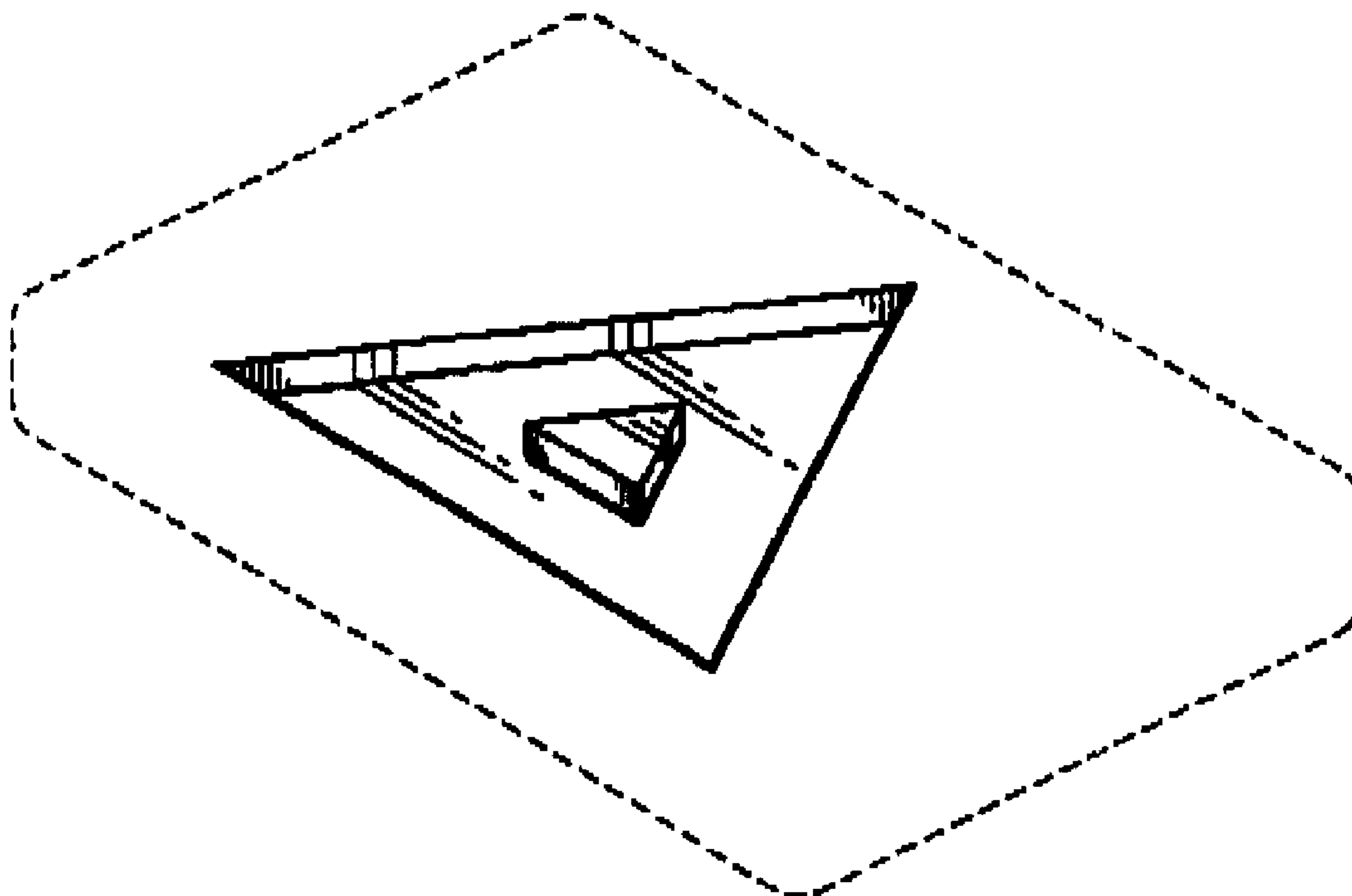
The ornamental design for a pushbutton for printer with copying and facsimile functions, as shown and described.

DESCRIPTION

FIG. 1 is a perspective view of pushbutton for printer with copying and facsimile functions;
FIG. 2 is a top view thereof; and,
FIG. 3 is a cross-sectional view thereof taken along the line 3—3 of FIG. 2.

The broken line showing of the perimeter of the push button is for illustrative purposes only and forms no part of the claimed design.

1 Claim, 1 Drawing Sheet



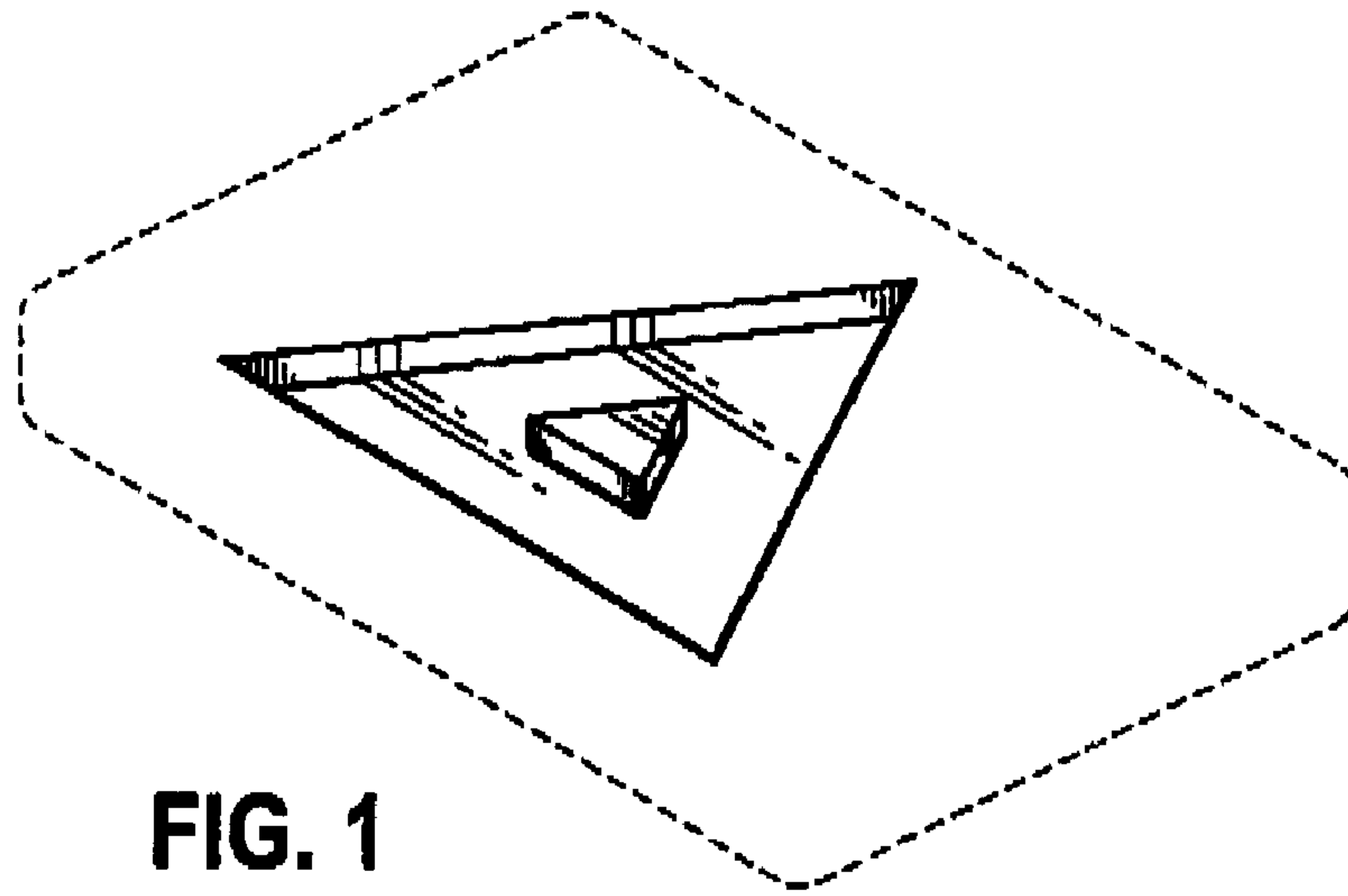


FIG. 1

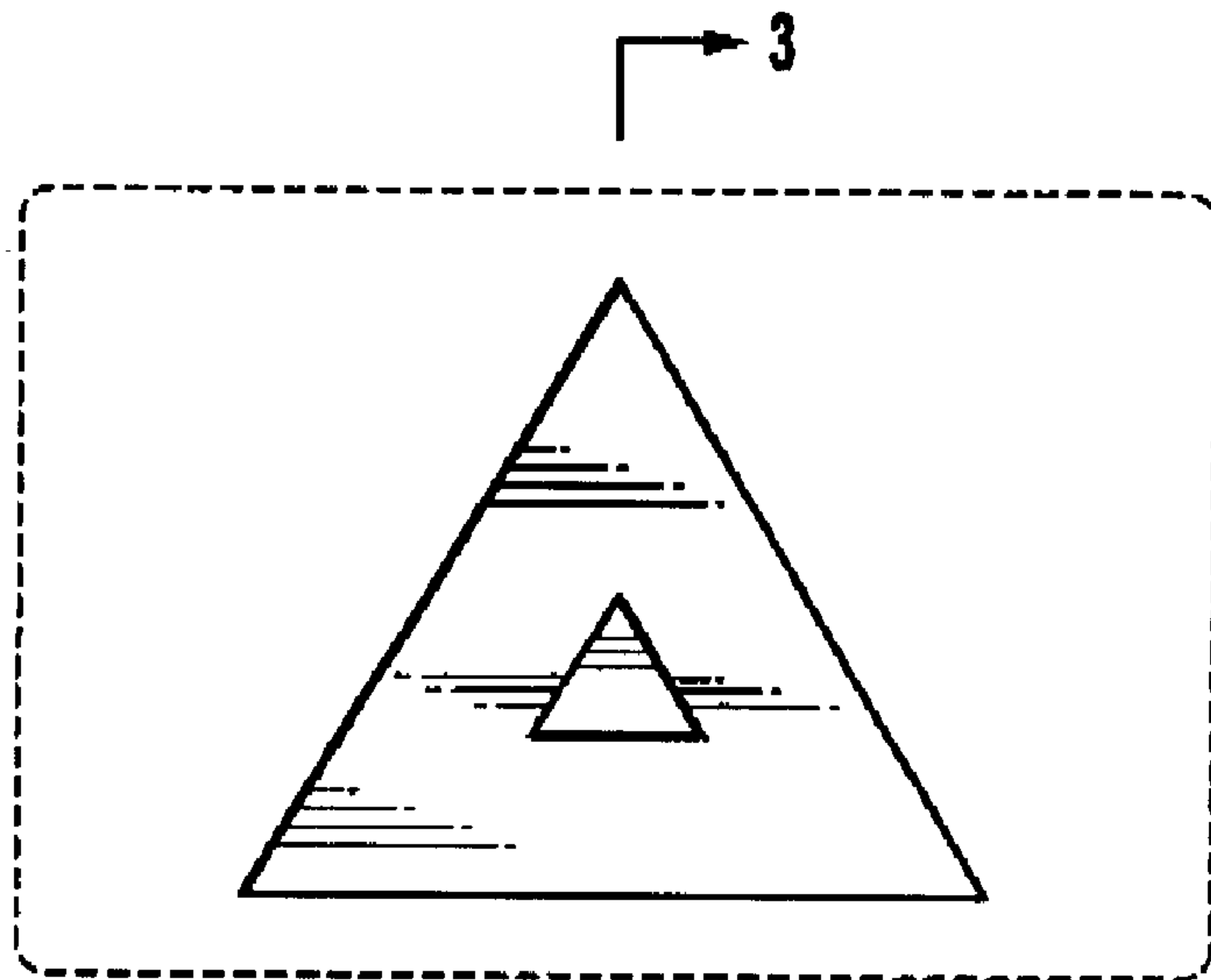


FIG. 2



FIG. 3