

US00D509532S

(12) **United States Design Patent**
Geserich

(10) **Patent No.:** **US D509,532 S**

(45) **Date of Patent:** **** Sep. 13, 2005**

(54) **PRINTER RIBBON CASSETTE**

(75) **Inventor:** **Frank Geserich, Friedrichstahl (DE)**

(73) **Assignee:** **Francotyp Postalia Beteiligungs AG, Birkenwerder (DE)**

(**) **Term:** **14 Years**

(21) **Appl. No.:** **29/204,071**

(22) **Filed:** **Apr. 23, 2004**

(30) **Foreign Application Priority Data**

Dec. 15, 2003 (EM) 115035

(51) **LOC (8) Cl.** **18-01**

(52) **U.S. Cl.** **D18/12**

(58) **Field of Search** D18/12, 40, 43,
D18/51, 56; D14/474-476, 483, 484; 347/49,
86, 87; 400/207, 208, 208.1, 624

(56) **References Cited**

U.S. PATENT DOCUMENTS

D344,755 S * 3/1994 Yamazaki D18/56

D357,696 S * 4/1995 Lucas et al. D18/12
D359,303 S * 6/1995 Gray et al. D18/12

* cited by examiner

Primary Examiner—Caron D. Veynar

(74) *Attorney, Agent, or Firm*—Laurence A. Greenberg;
Werner H. Stemer; Ralph E. Locher

(57) **CLAIM**

The ornamental design for a printer ribbon cassette, as shown and described.

DESCRIPTION

FIG. 1 is a front, left, top perspective view of a printer ribbon cassette;

FIG. 2 is a rear, top, right perspective view thereof;

FIG. 3 is a top side view thereof;

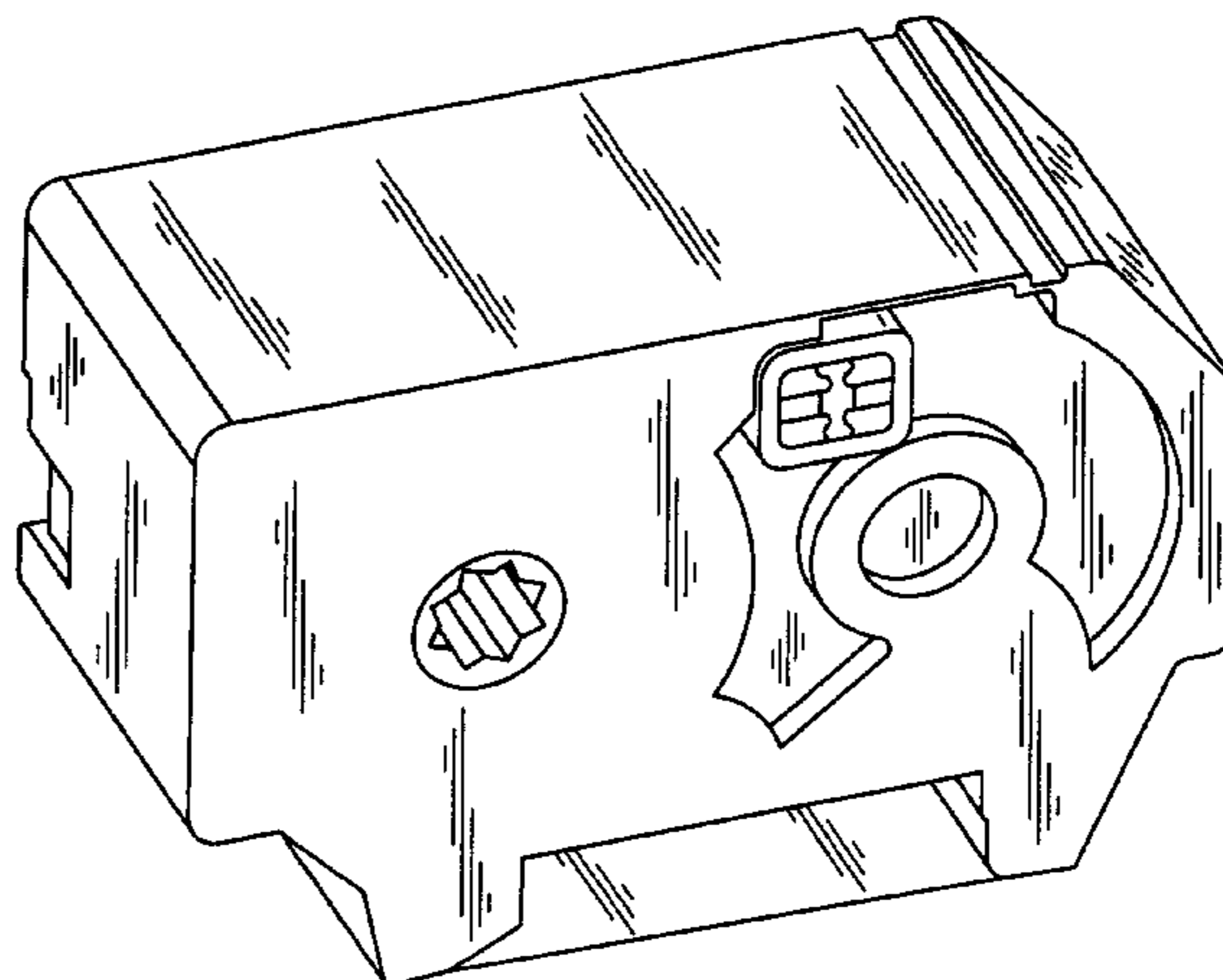
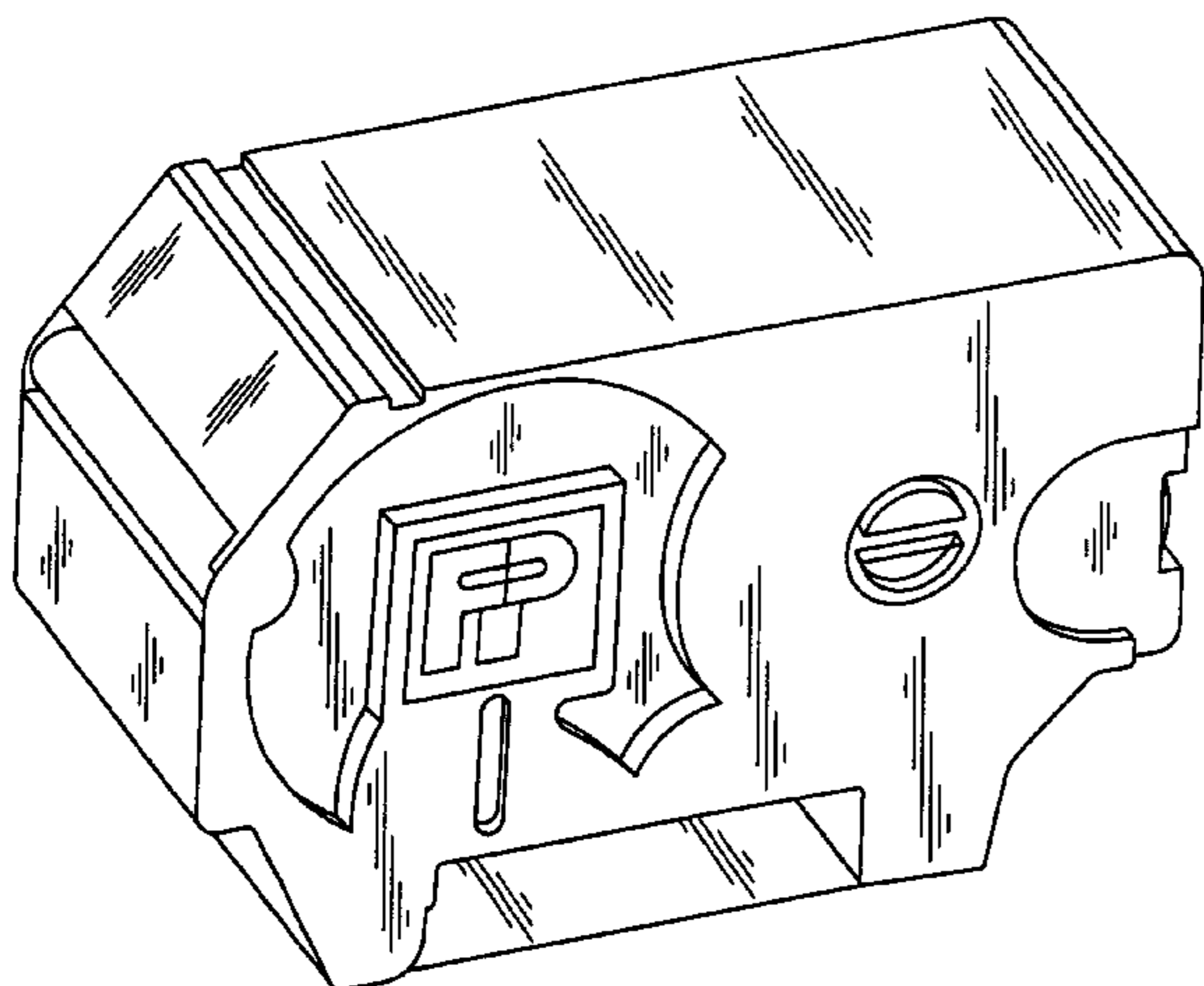
FIG. 4 is a rear side view thereof;

FIG. 5 is a bottom side view thereof;

FIG. 6 is a right side view thereof; and,

FIG. 7 is a left side view thereof.

1 Claim, 3 Drawing Sheets



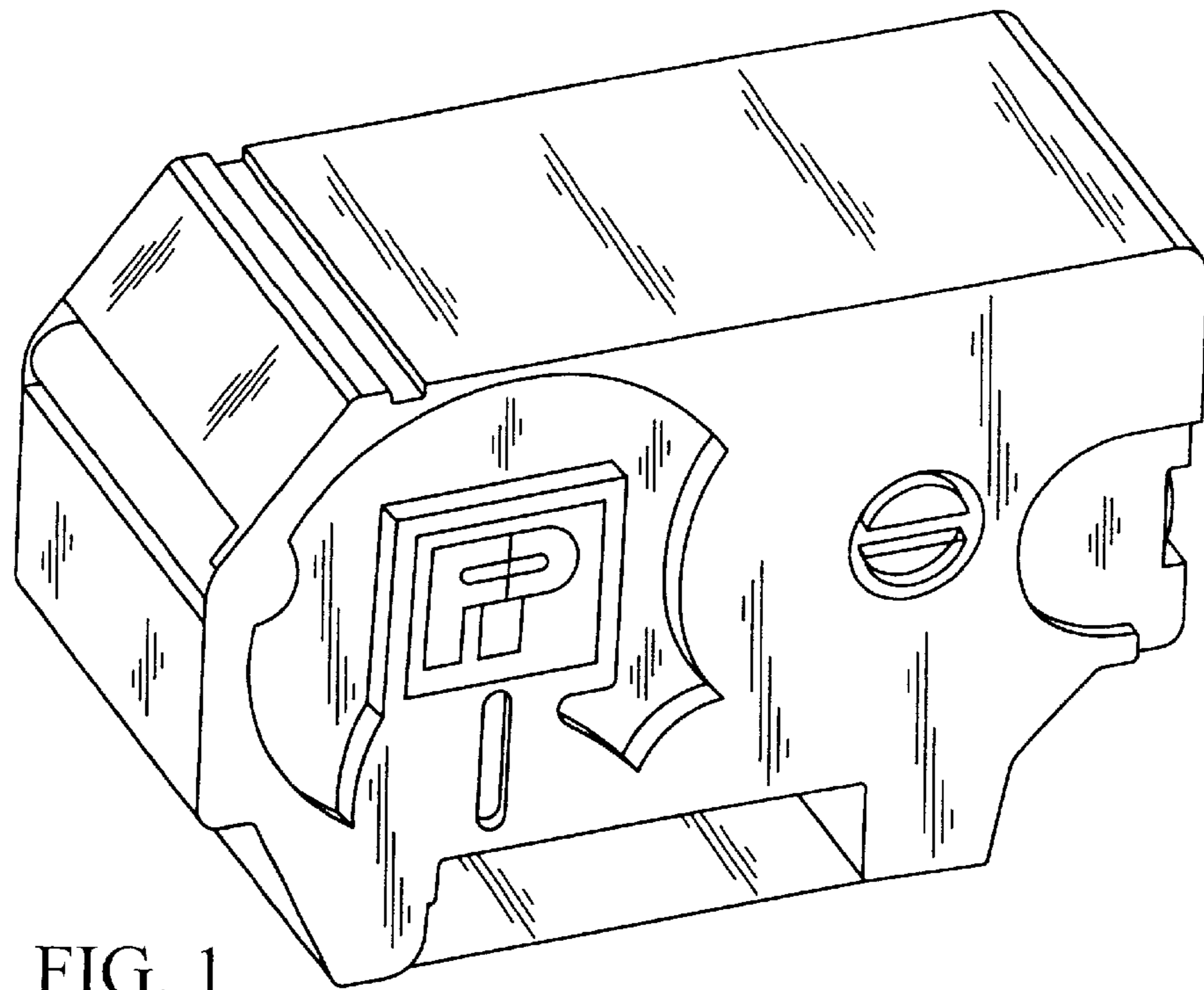


FIG. 1

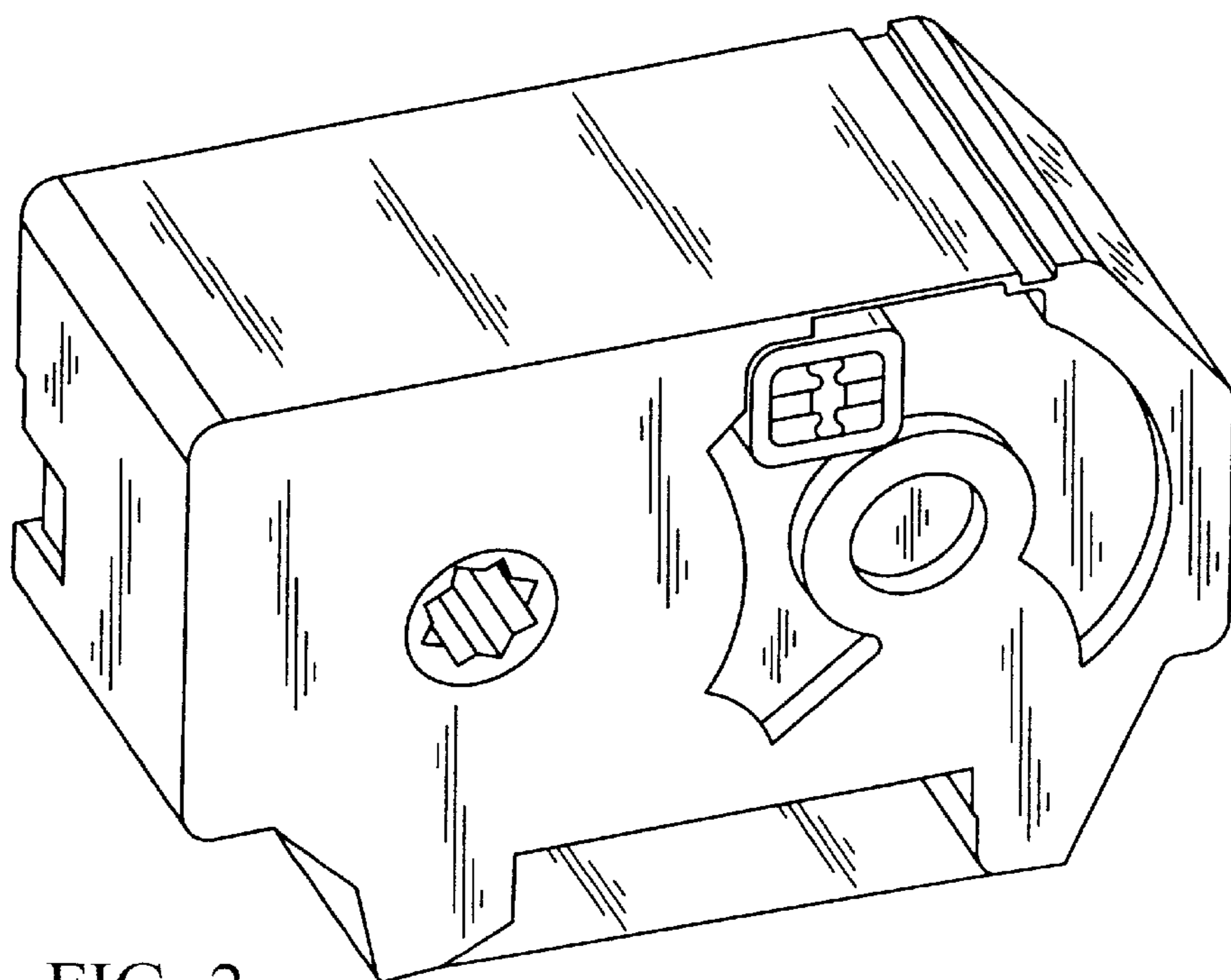


FIG. 2

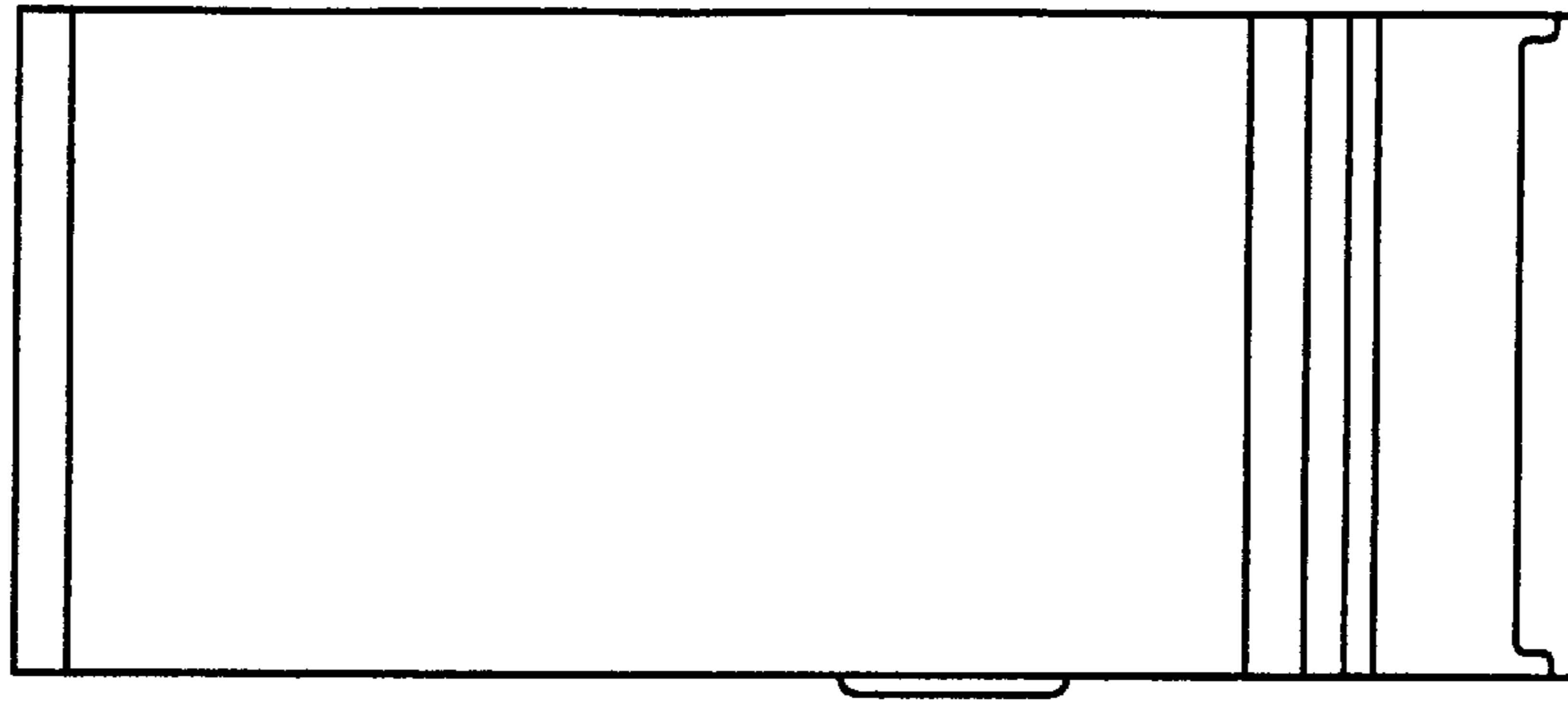


FIG. 3

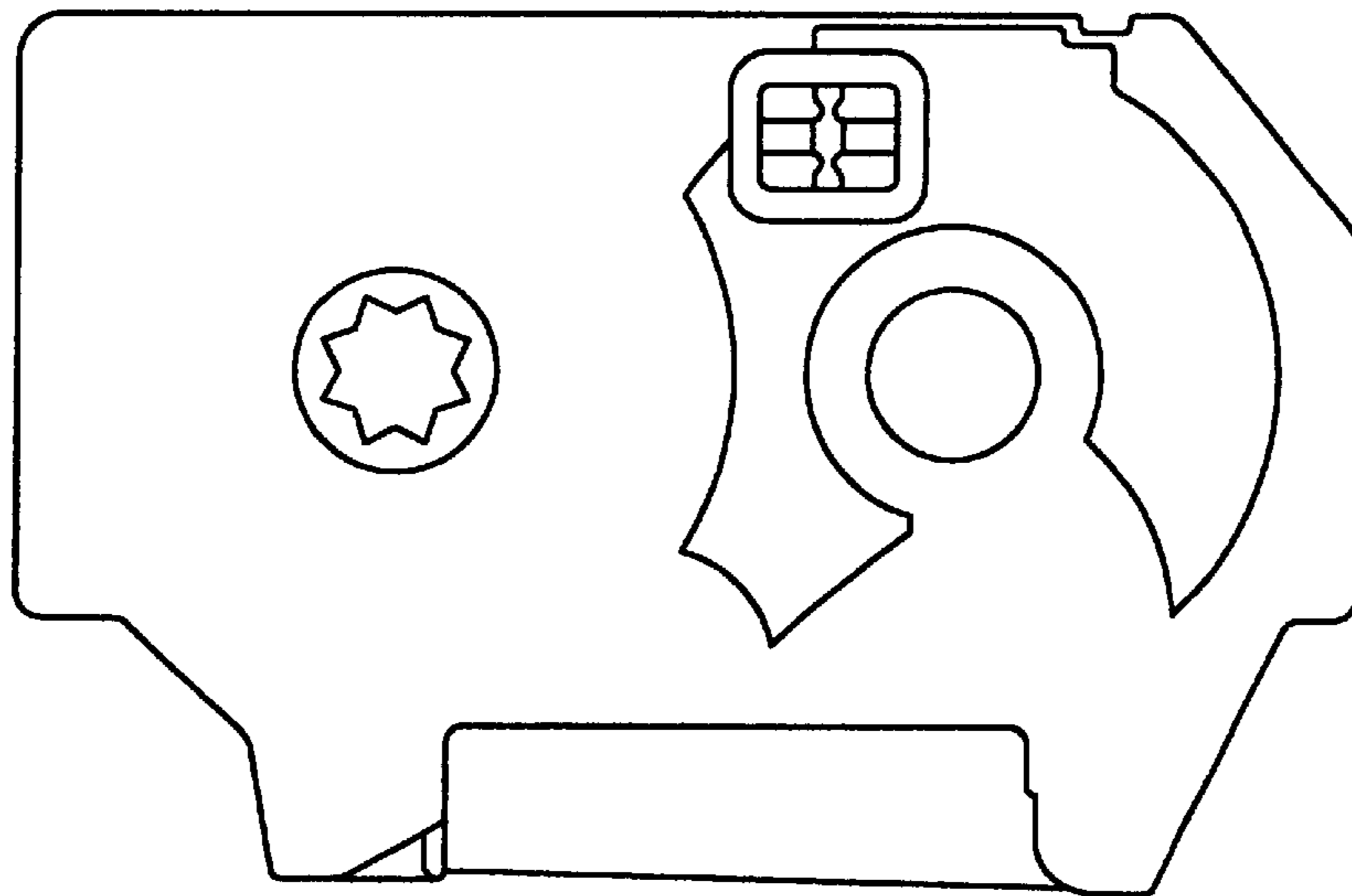


FIG. 4

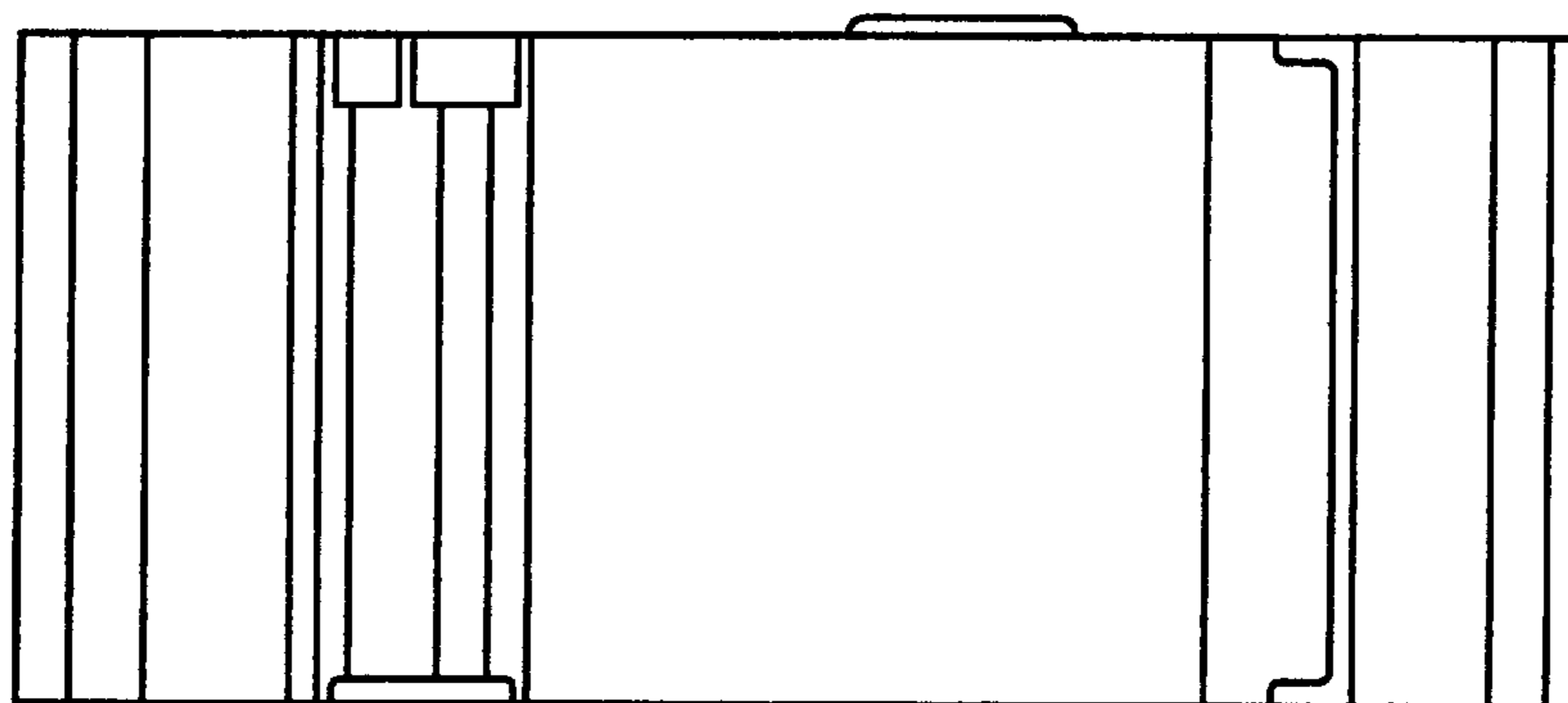


FIG. 5

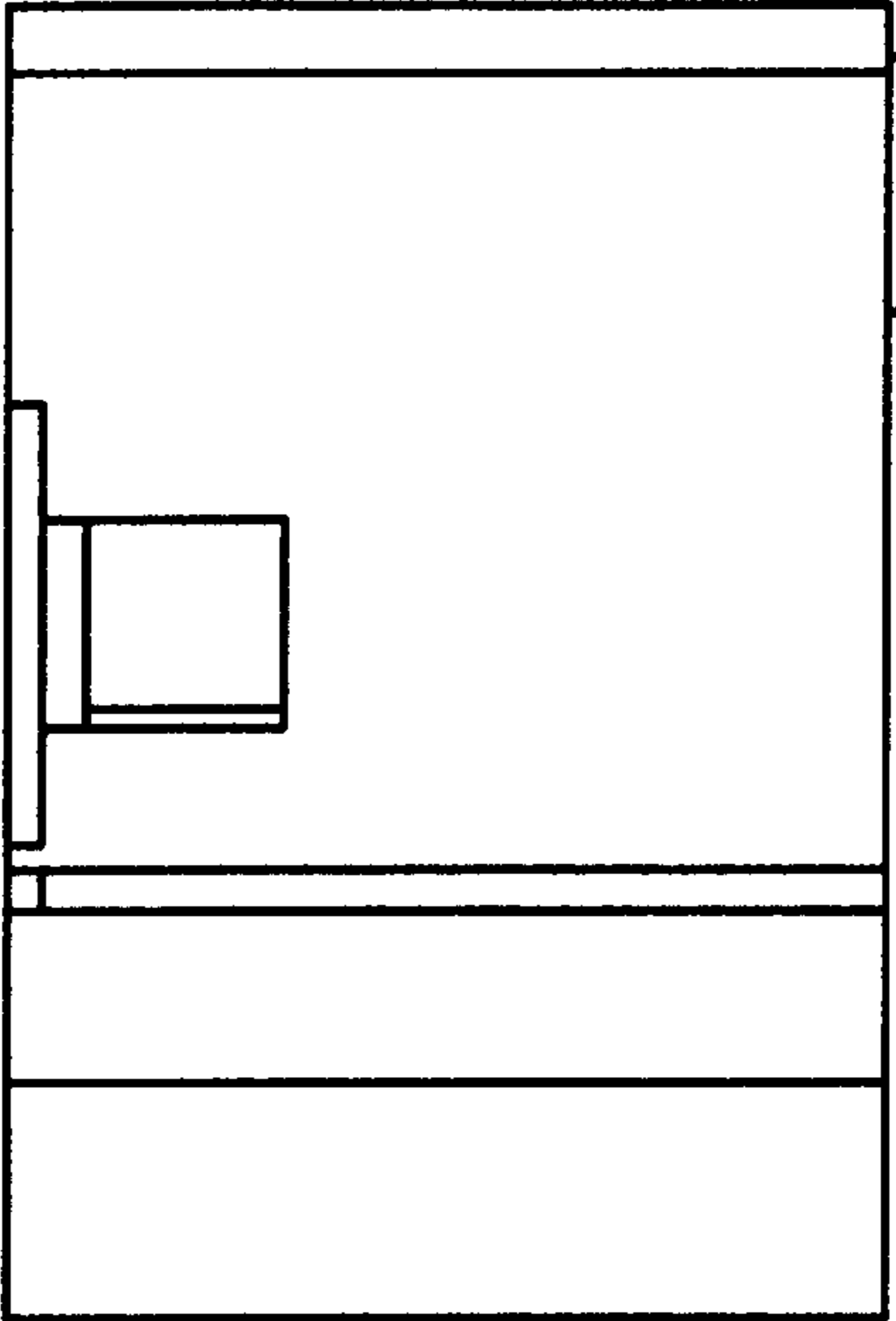


FIG. 6

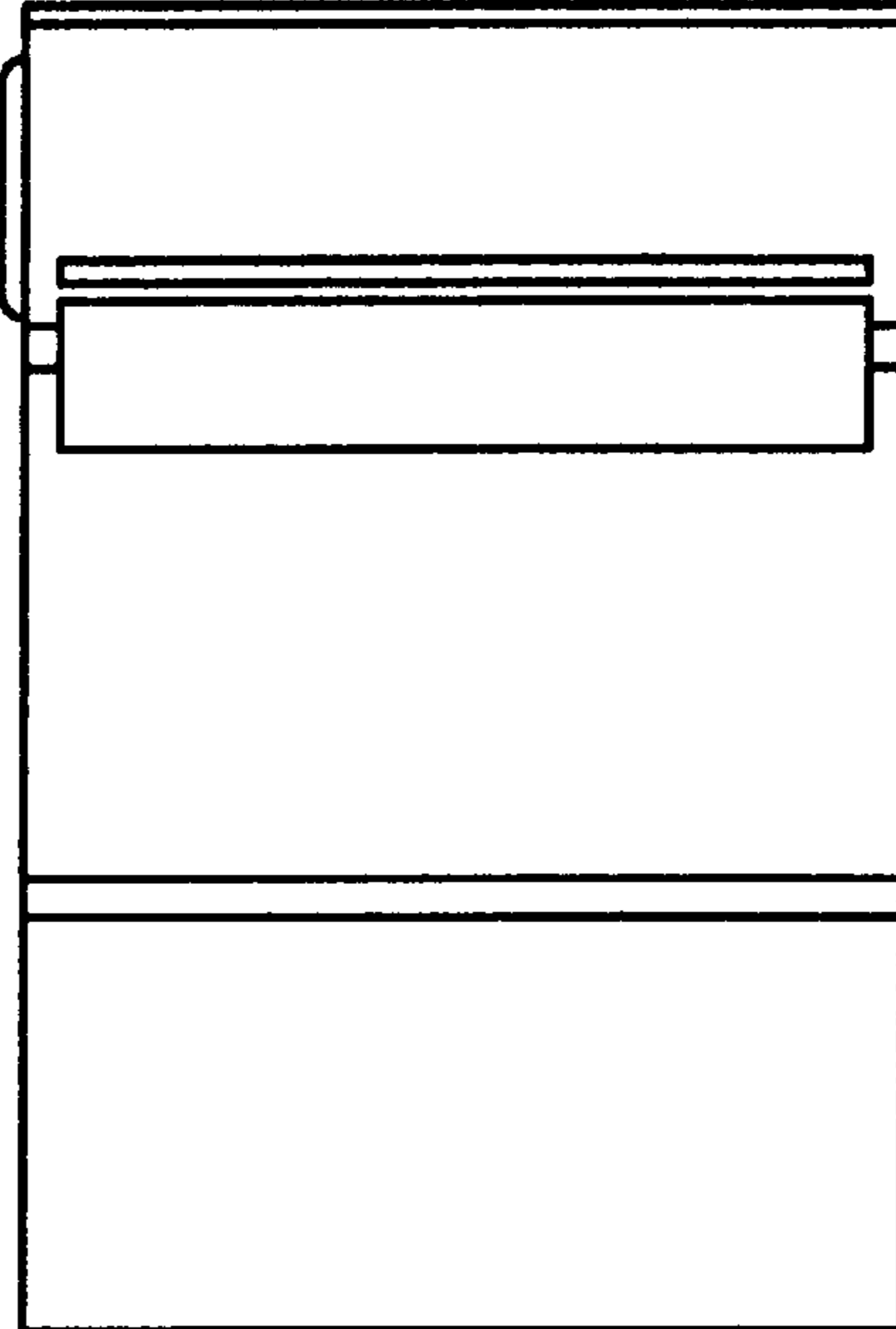


FIG. 7