



US00D509530S

(12) **United States Design Patent**  
**Hall**

(10) **Patent No.:** **US D509,530 S**

(45) **Date of Patent:** **\*\* Sep. 13, 2005**

(54) **RATTLESNAKE MARACA**

D442,845 S \* 5/2001 Iacovelli ..... D21/657  
D492,717 S \* 7/2004 Cohen ..... D17/22

(76) **Inventor:** **Karani Hall**, 19100 E. St. Andrews Dr.,  
Miami, FL (US) 33015

\* cited by examiner

(\*\*) **Term:** **14 Years**

*Primary Examiner*—Adir Aronovich  
(74) *Attorney, Agent, or Firm*—Gold & Rizvi, P.A.; H. John  
Rizvi; Glenn E. Gold

(21) **Appl. No.:** **29/196,146**

(22) **Filed:** **Dec. 22, 2003**

(57) **CLAIM**

(51) **LOC (8) Cl.** ..... **17-04**

I claim the ornamental design for a rattlesnake maraca, as  
shown and described.

(52) **U.S. Cl.** ..... **D17/22; D21/406; D21/657**

(58) **Field of Search** ..... **D17/22, 99; D21/405,**  
**D21/406, 657; 84/402, 404; 446/418, 419**

**DESCRIPTION**

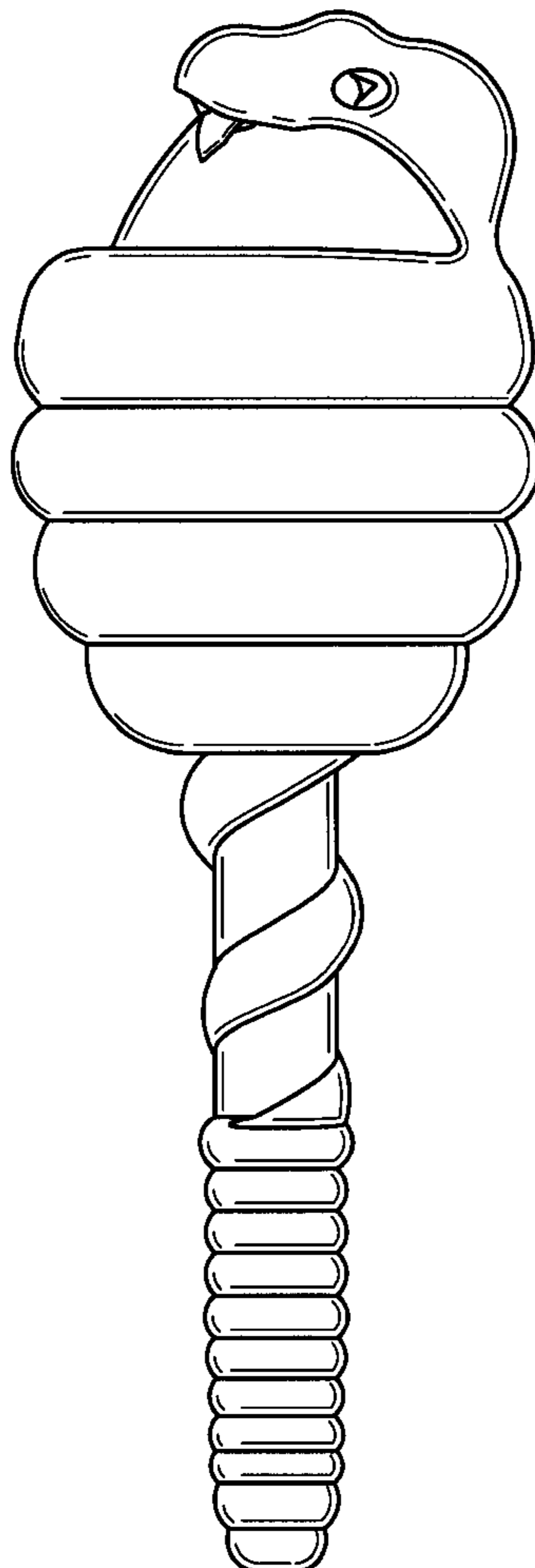
(56) **References Cited**

FIG. 1 is a front view of the rattlesnake maraca showing my  
new design;  
FIG. 2 is a left side view thereof;  
FIG. 3 is a rear view thereof;  
FIG. 4 is a right side view thereof;  
FIG. 5 is a top plan view thereof; and,  
FIG. 6 is a bottom view thereof.

**U.S. PATENT DOCUMENTS**

- D73,752 S \* 11/1927 Marks ..... D21/406
- 3,499,361 A \* 3/1970 Harleman ..... 84/402
- D364,430 S \* 11/1995 Kino ..... D21/406
- D375,328 S \* 11/1996 Gilbert et al. .... D21/405
- D405,844 S \* 2/1999 Palardis ..... D21/406

**1 Claim, 3 Drawing Sheets**



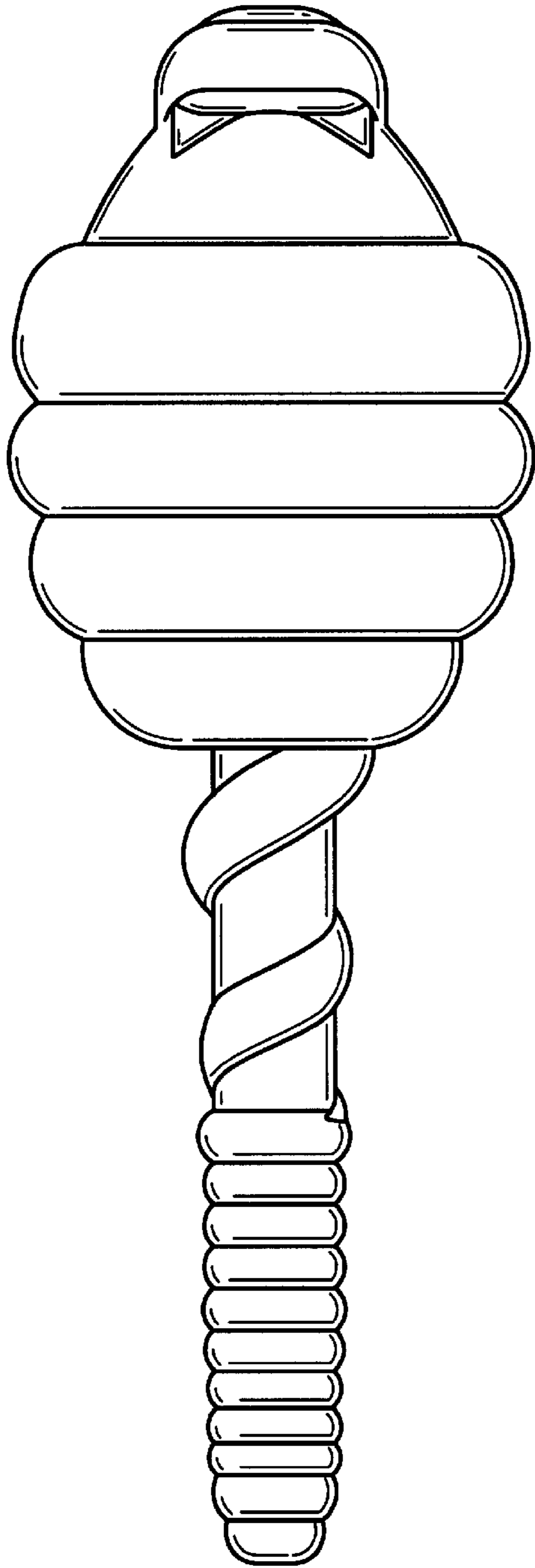


FIG. 1

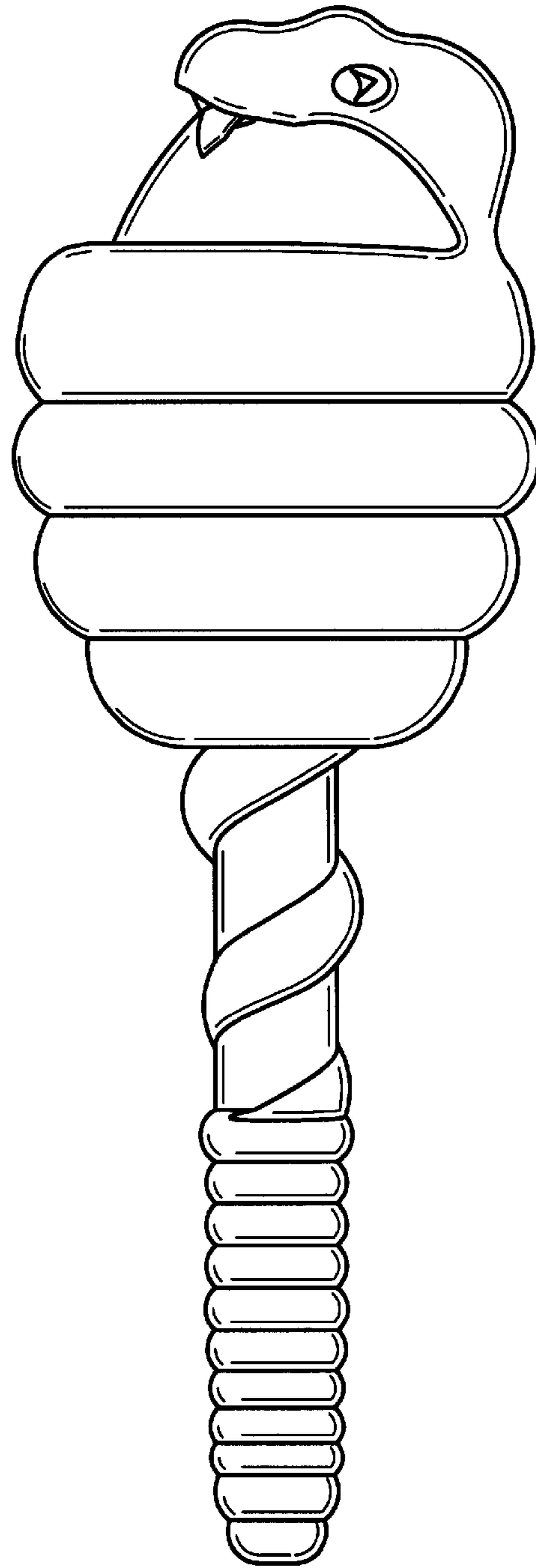


FIG. 2

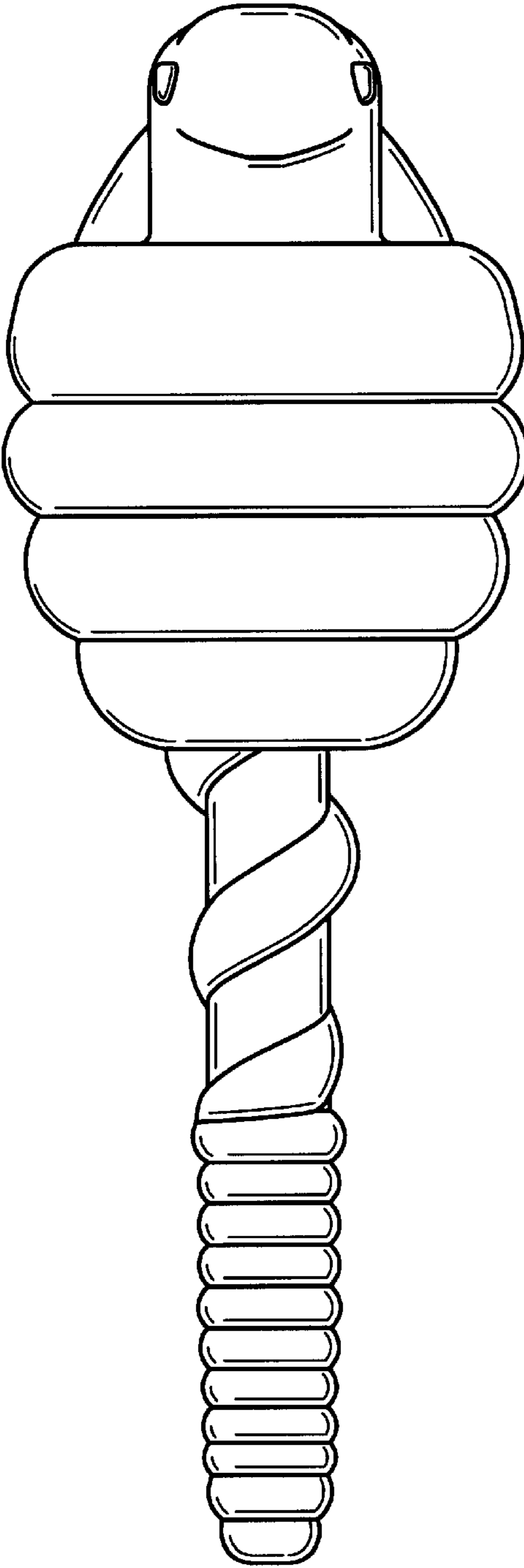


FIG. 3

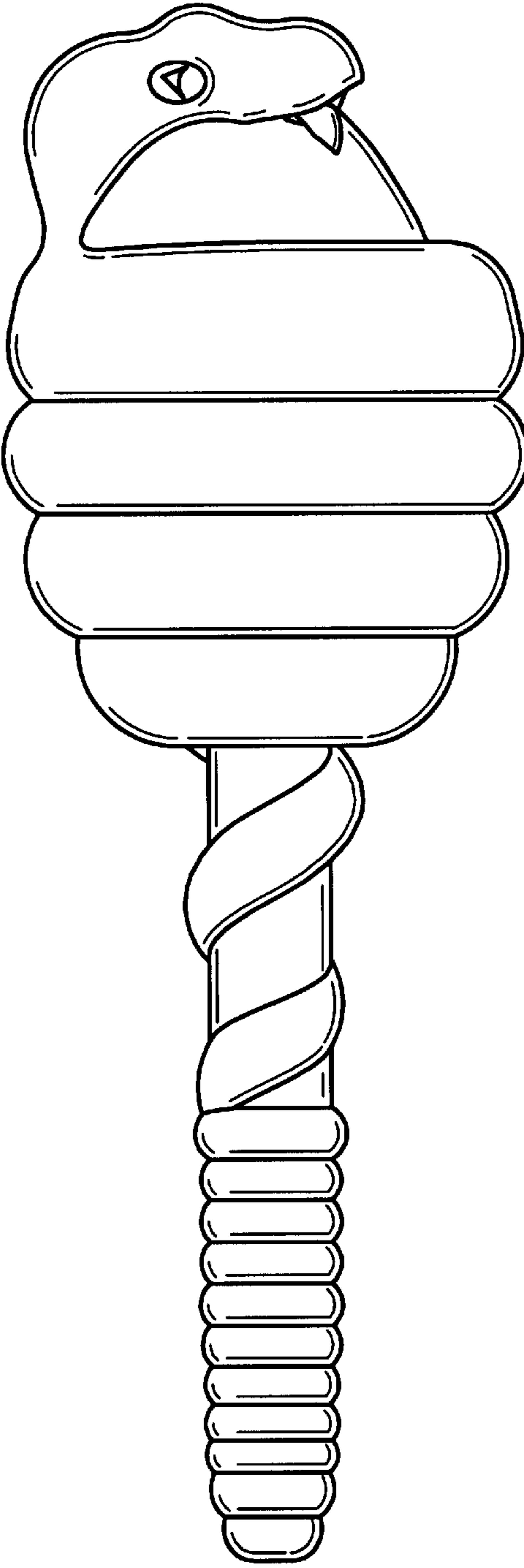


FIG. 4

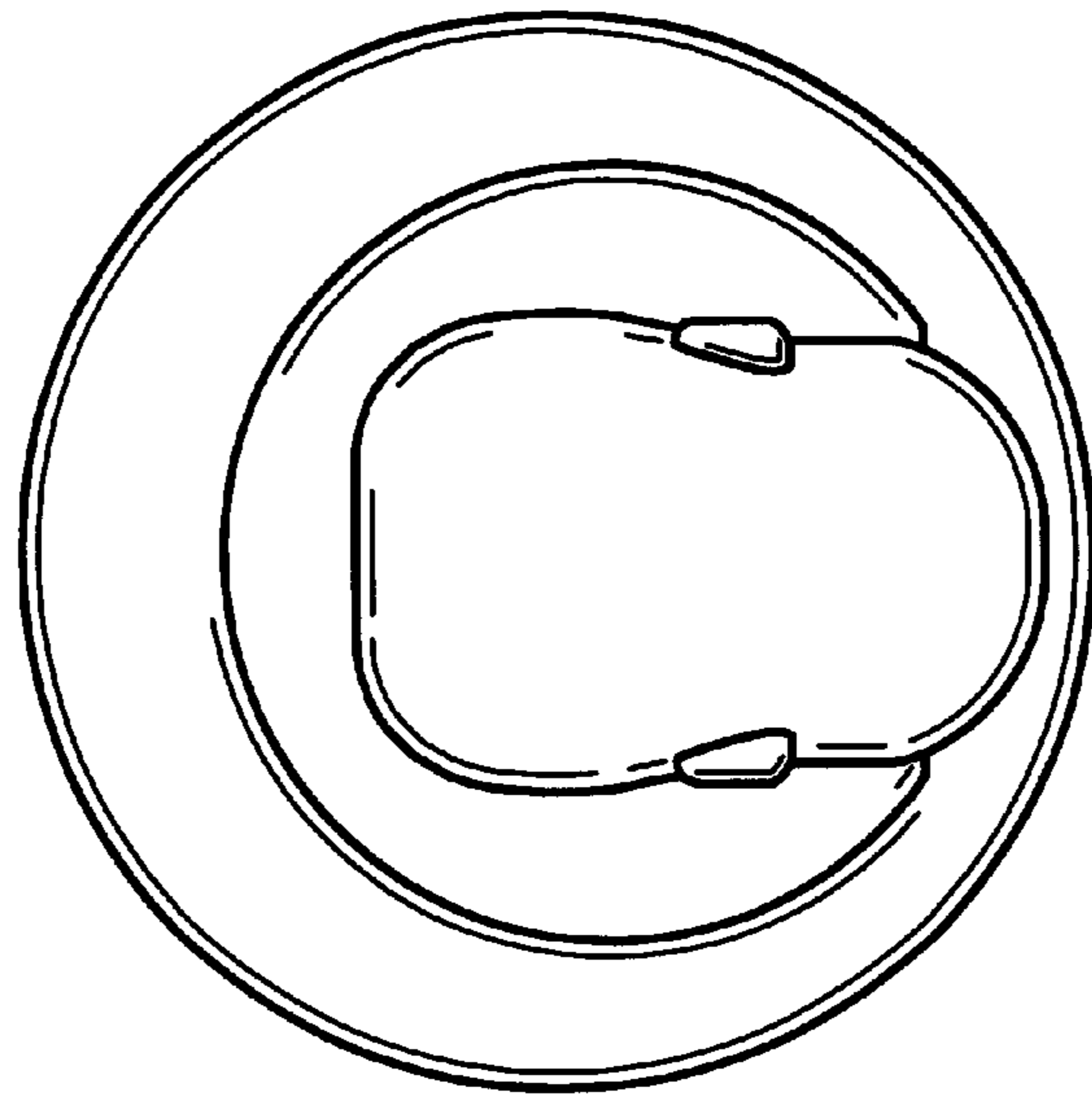


FIG. 5

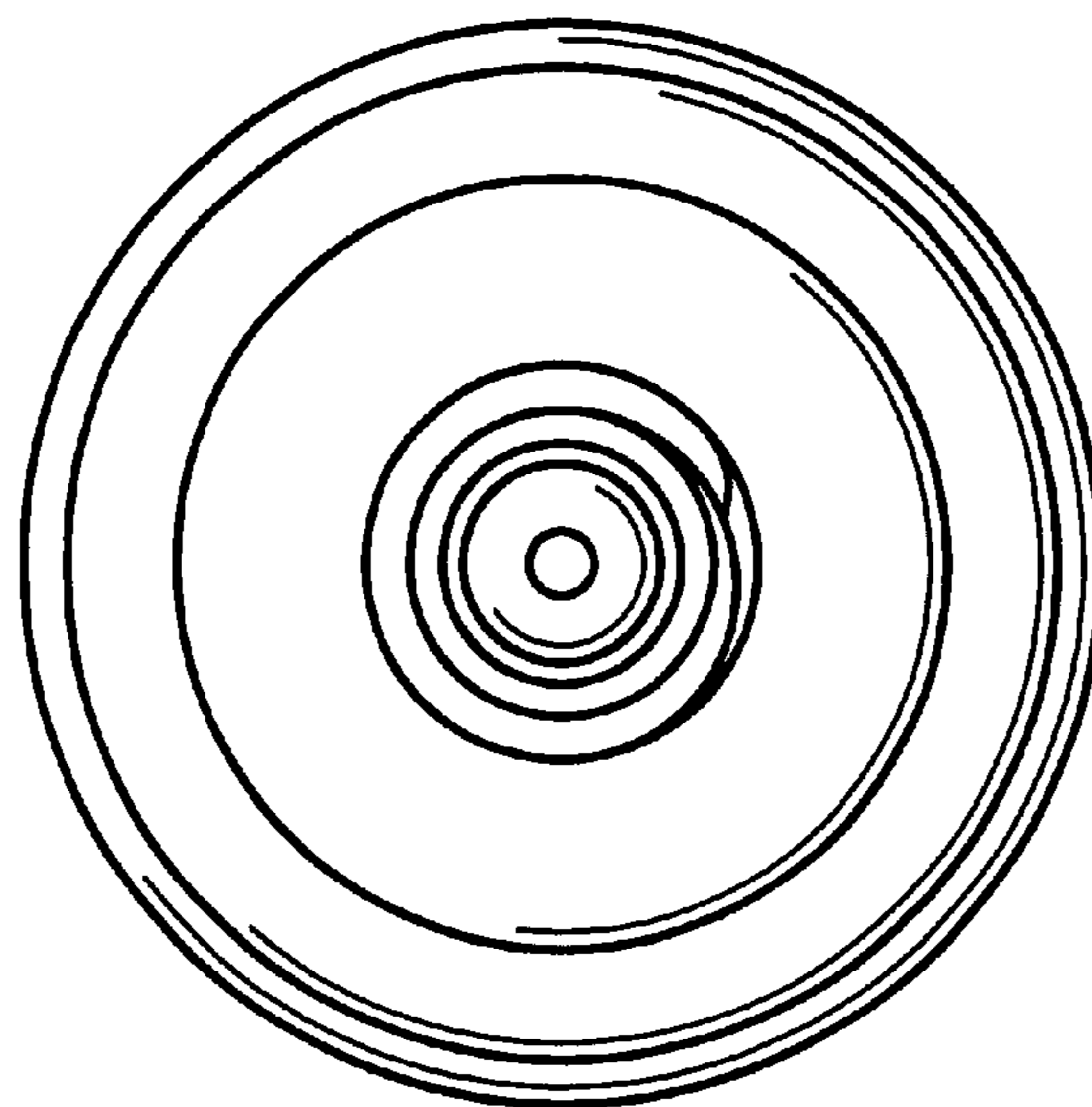


FIG. 6