

US00D509529S

(12) **United States Design Patent**  
**Cole**

(10) **Patent No.:** **US D509,529 S**

(45) **Date of Patent:** **\*\* Sep. 13, 2005**

(54) **EYEWEAR MOUNT WITH SQUARE BRIDGE RECESS**

(76) **Inventor:** **Anthony John Cole**, 16 Trevalsa Place, Burraneer New South Wales 2230 (AU)

(\*\*) **Term:** **14 Years**

(21) **Appl. No.:** **29/190,936**

(22) **Filed:** **Sep. 29, 2003**

(51) **LOC (8) Cl.** ..... **16-06**

(52) **U.S. Cl.** ..... **D16/330; D16/309; D16/310**

(58) **Field of Search** ..... **D16/300-330, D16/334, 340, 900; D2/866; D29/103-104, 109-110; D24/110.2; 351/41, 44, 47-48, 51-52, 57-59, 155, 157-158, 114; 2/10, 12-13; 248/902, 474**

(56) **References Cited**

**U.S. PATENT DOCUMENTS**

673,786	A	*	5/1901	Ricketts	.....	2/13
2,758,506	A	*	8/1956	McNeill	.....	351/57
3,428,286	A	*	2/1969	Pesco	.....	248/474
3,787,113	A	*	1/1974	Shedrow	.....	351/158
4,387,471	A	*	6/1983	Hsu et al.	.....	2/10
4,810,081	A	*	3/1989	Mapelli et al.	.....	351/57

5,261,124	A	*	11/1993	Day	.....	2/10
5,412,812	A	*	5/1995	Gatchalian	.....	2/10
D377,364	S	*	1/1997	Dinges	.....	D16/304
5,987,640	A	*	11/1999	Ryder	.....	2/10
6,206,519	B1	*	3/2001	Lin	.....	351/57
6,502,937	B2	*	1/2003	Yang	.....	351/57

\* cited by examiner

*Primary Examiner*—Raphael Barkai

(74) *Attorney, Agent, or Firm*—Jacobson and Johnson

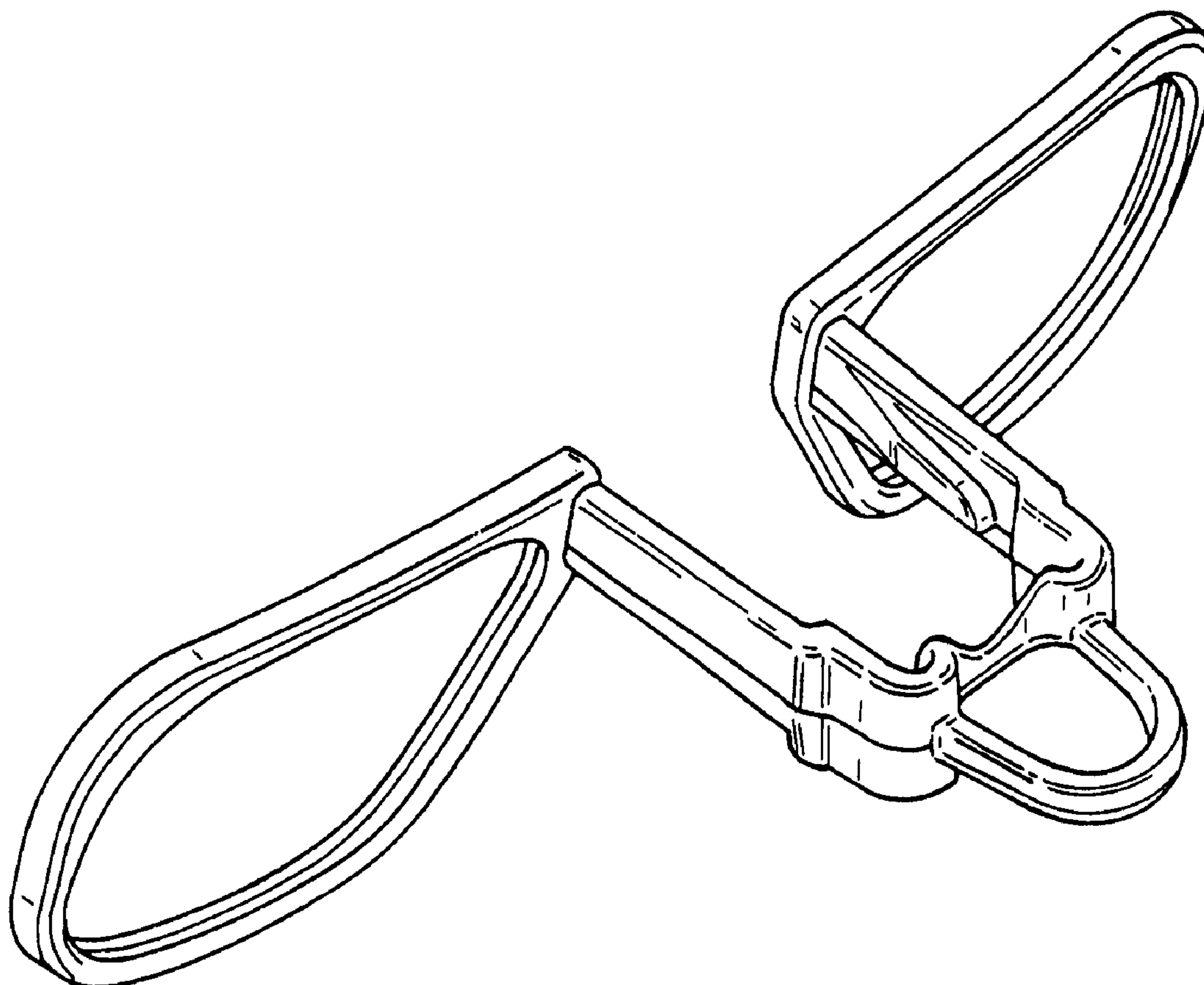
(57) **CLAIM**

The ornamental design for an eyewear mount with square bridge recess, as shown and described.

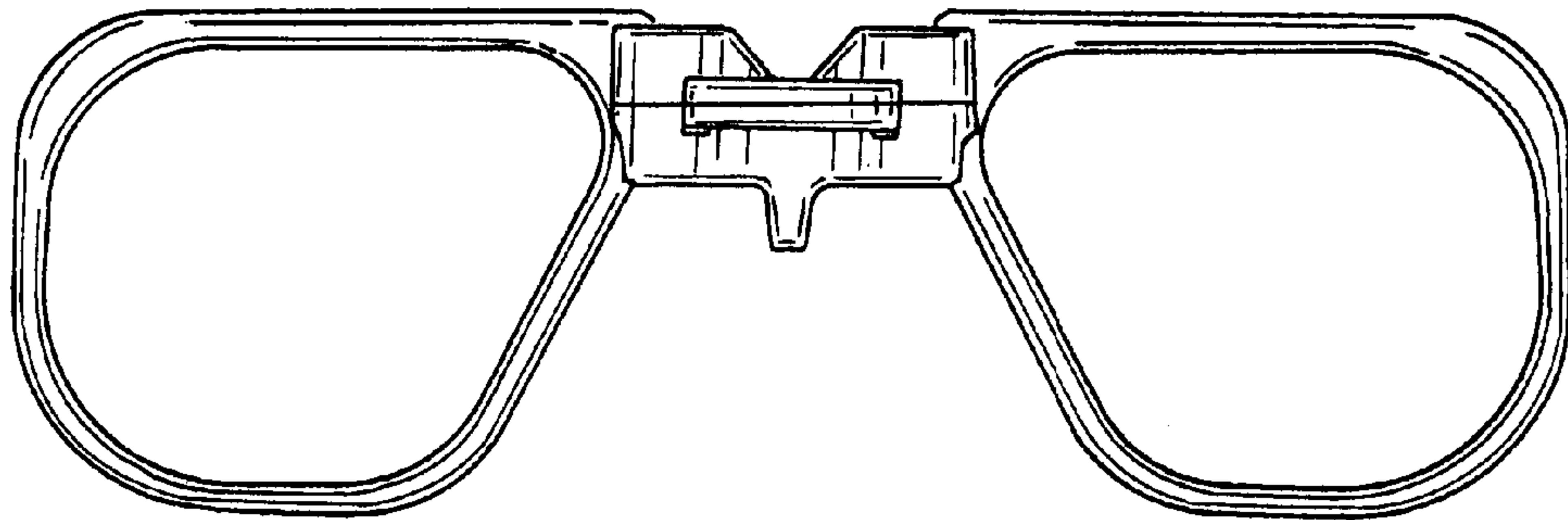
**DESCRIPTION**

FIG. 1 is a front elevation view of an eyewear mount with square bridge recess showing my new design;  
 FIG. 2 is a rear elevation view thereof;  
 FIG. 3 is a top plan view thereof;  
 FIG. 4 is a bottom plan view thereof;  
 FIG. 5 is a side elevation view thereof, the other side being the same;  
 FIG. 6 is a top front perspective view thereof; and,  
 FIG. 7 is a bottom front perspective view thereof.

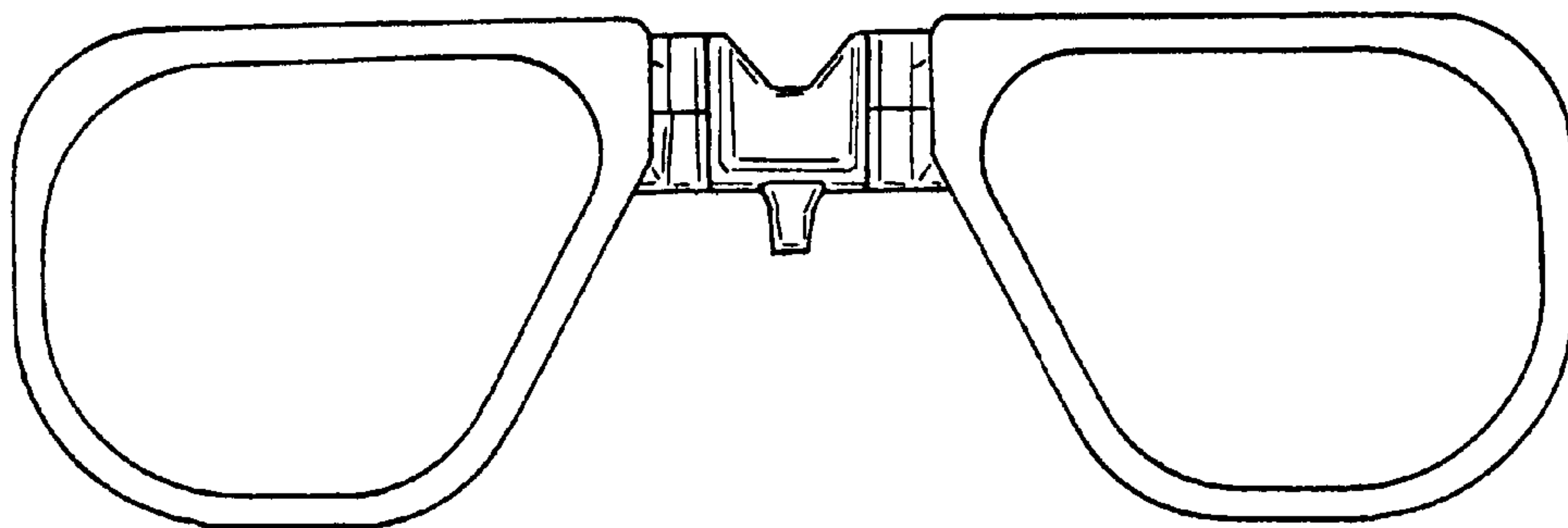
**1 Claim, 3 Drawing Sheets**



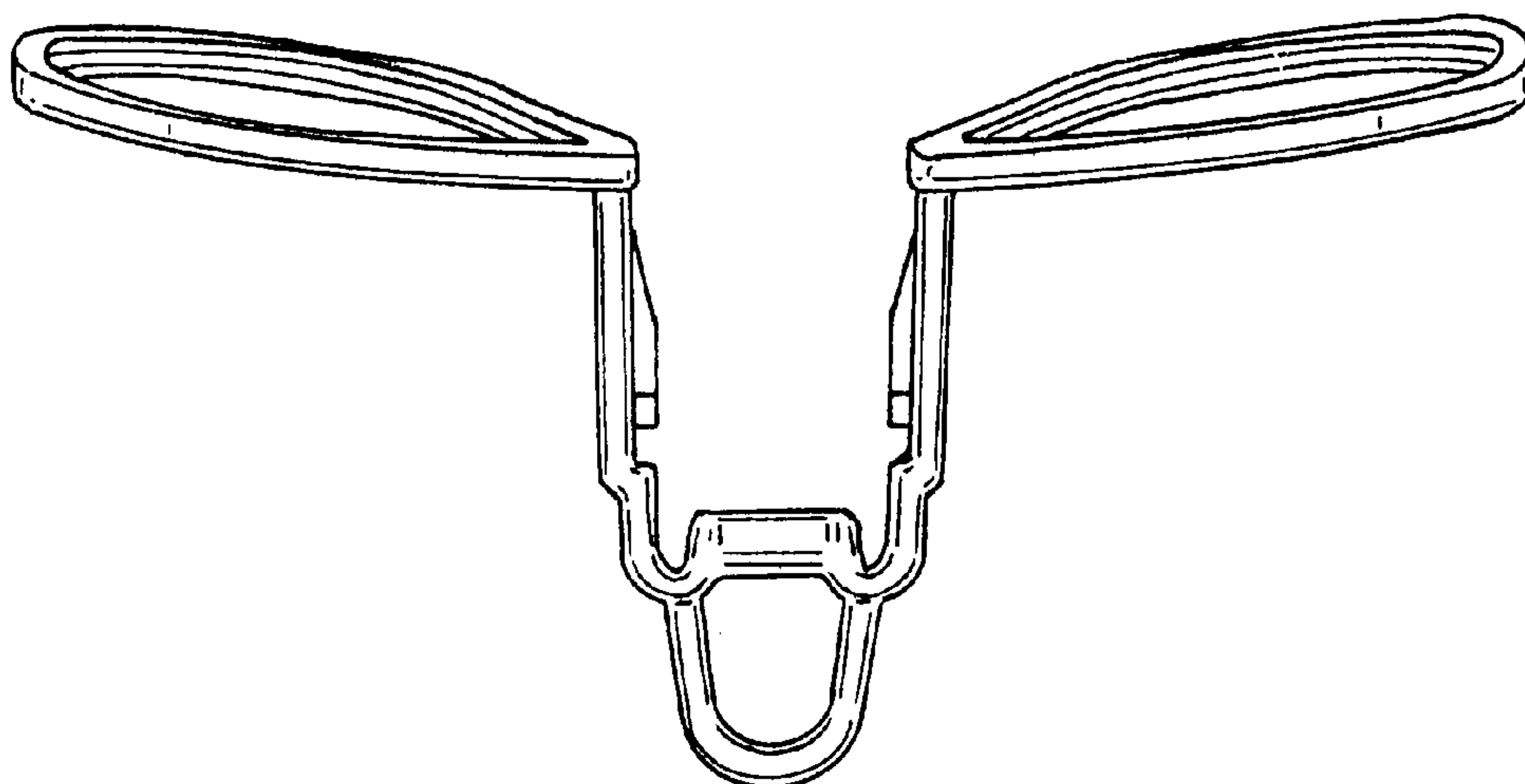
*FIG. 1*



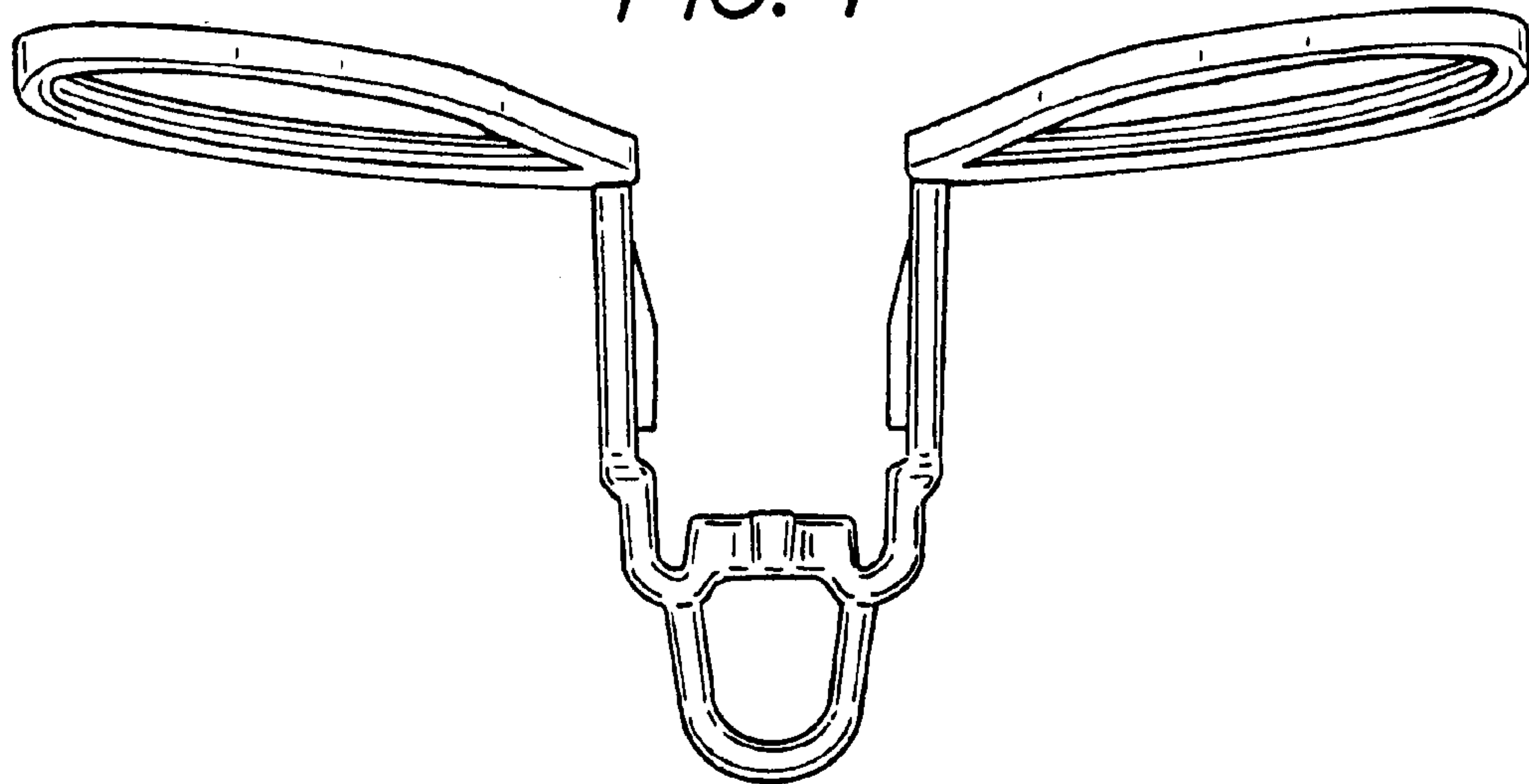
*FIG. 2*



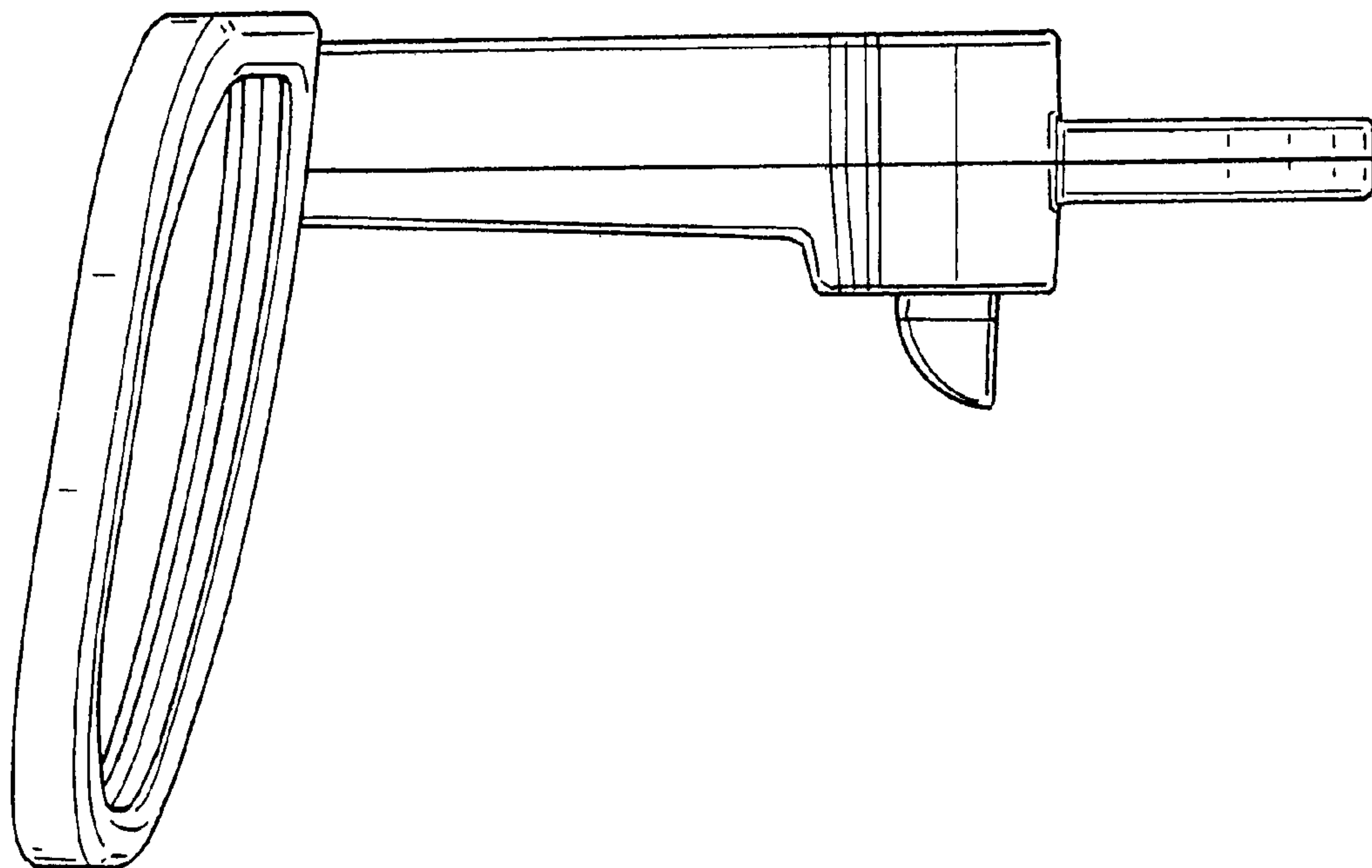
*FIG. 3*



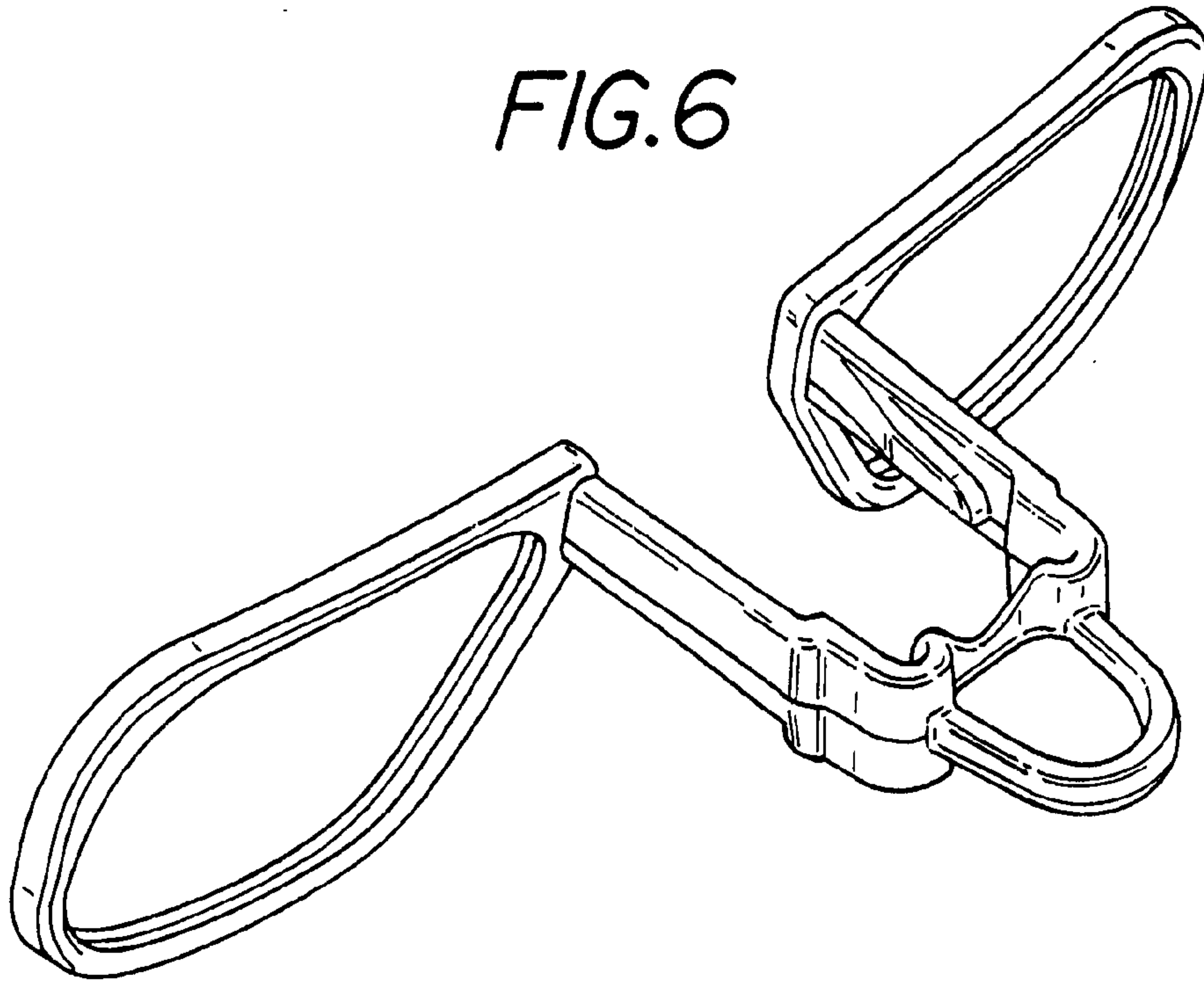
*FIG. 4*



*FIG. 5*



*FIG. 6*



*FIG. 7*

