



US00D509527S

(12) **United States Design Patent**
Murray et al.

(10) **Patent No.:** **US D509,527 S**
(45) **Date of Patent:** **** Sep. 13, 2005**

(54) **STORED TRIPOD**

6,546,636 B2 4/2003 Tamamura

(75) **Inventors:** **Christopher J. Murray**, Baltimore, MD (US); **Aldo Balatti**, Greely (CA); **Robert D. Watters**, Ottawa (CA)

FOREIGN PATENT DOCUMENTS

(73) **Assignee:** **Black & Decker Inc.**, Newark, DE (US)

DE	4033630	10/1992
DE	29720919	6/1998
DE	20215235	2/2003
EP	0729053	8/1996
EP	0602131	12/1997
EP	1026476	8/2000
EP	0873222	2/2002
EP	0819911	6/2002
EP	1248137	10/2002
GB	1379078	2/1975
WO	WO 93/22619	11/1993

(**) **Term:** **14 Years**

(21) **Appl. No.:** **29/193,392**

(22) **Filed:** **Nov. 7, 2003**

(51) **LOC (8) Cl.** **16-05**

(52) **U.S. Cl.** **D16/244**

(58) **Field of Search** D16/242, 244, D16/245; 248/168, 169, 188.5, 188.6, 188.7; 396/419, 428

* cited by examiner

Primary Examiner—Adir Aronovich

(74) *Attorney, Agent, or Firm*—Harness, Dickey & Pierce, P.L.C.

(56) **References Cited**

U.S. PATENT DOCUMENTS

2,425,196	A	*	8/1947	Lopes	248/188.6
3,341,161	A	*	9/1967	Leonardo	248/168
D222,118	S	*	9/1971	Nakatani	D16/244
4,025,200	A		5/1977	Zeineh		
4,671,479	A	*	6/1987	Johnson et al.	248/188.5
5,212,889	A		5/1993	Lysen		
D368,731	S	*	4/1996	Shen	D16/244
5,539,990	A		7/1996	Le		
5,967,645	A		10/1999	Anderson		
6,539,638	B1		4/2003	Pelletier		

(57) **CLAIM**

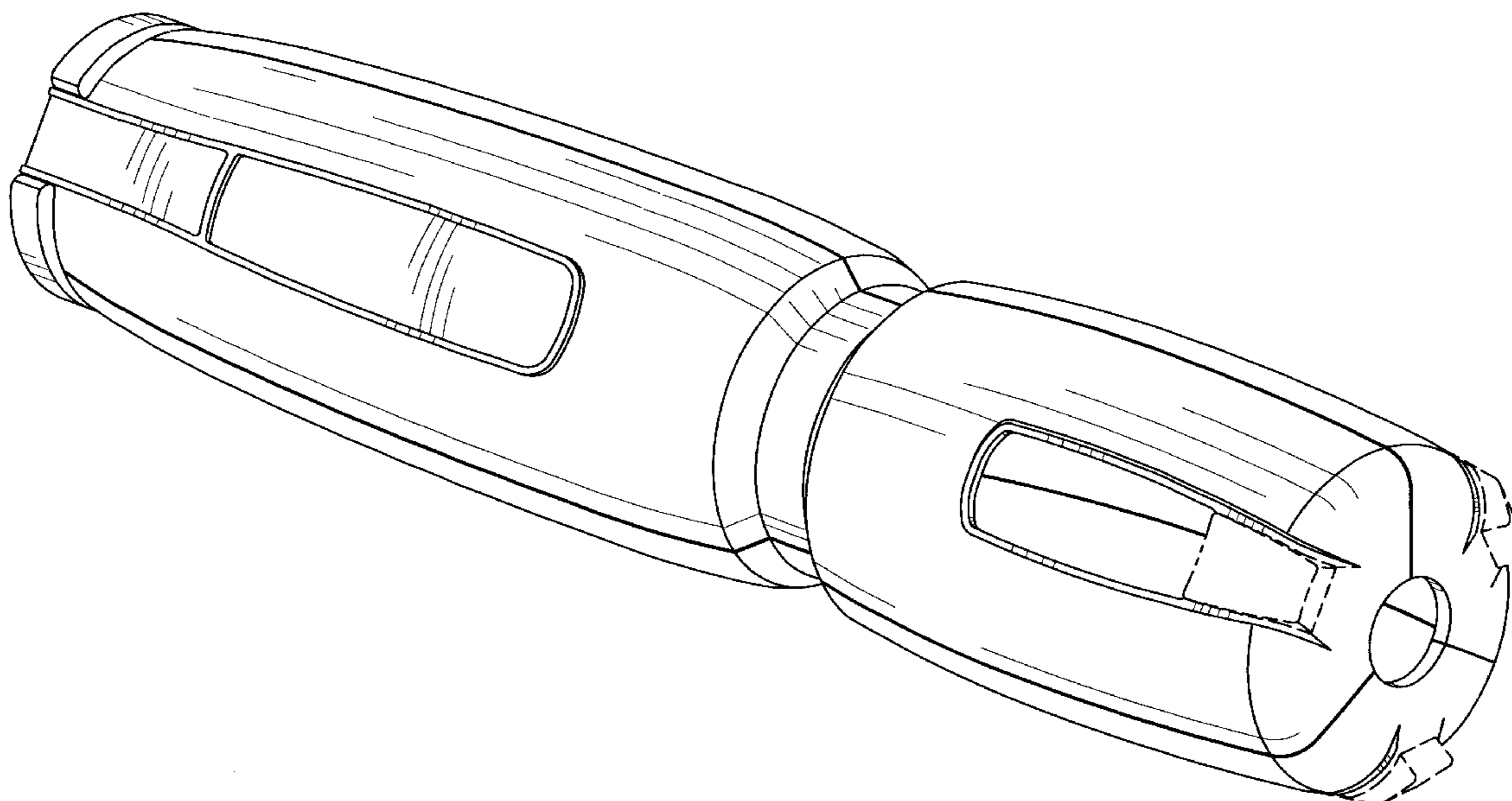
The ornamental design for a stored tripod, as shown and described.

DESCRIPTION

FIG. 1 is a front perspective view of a stored tripod showing our new design; and,

FIG. 2 is a rear perspective view of the stored tripod. The portions of the stored tripod in broken lines are shown for illustrative purposes only and form no part of the claimed design.

1 Claim, 2 Drawing Sheets



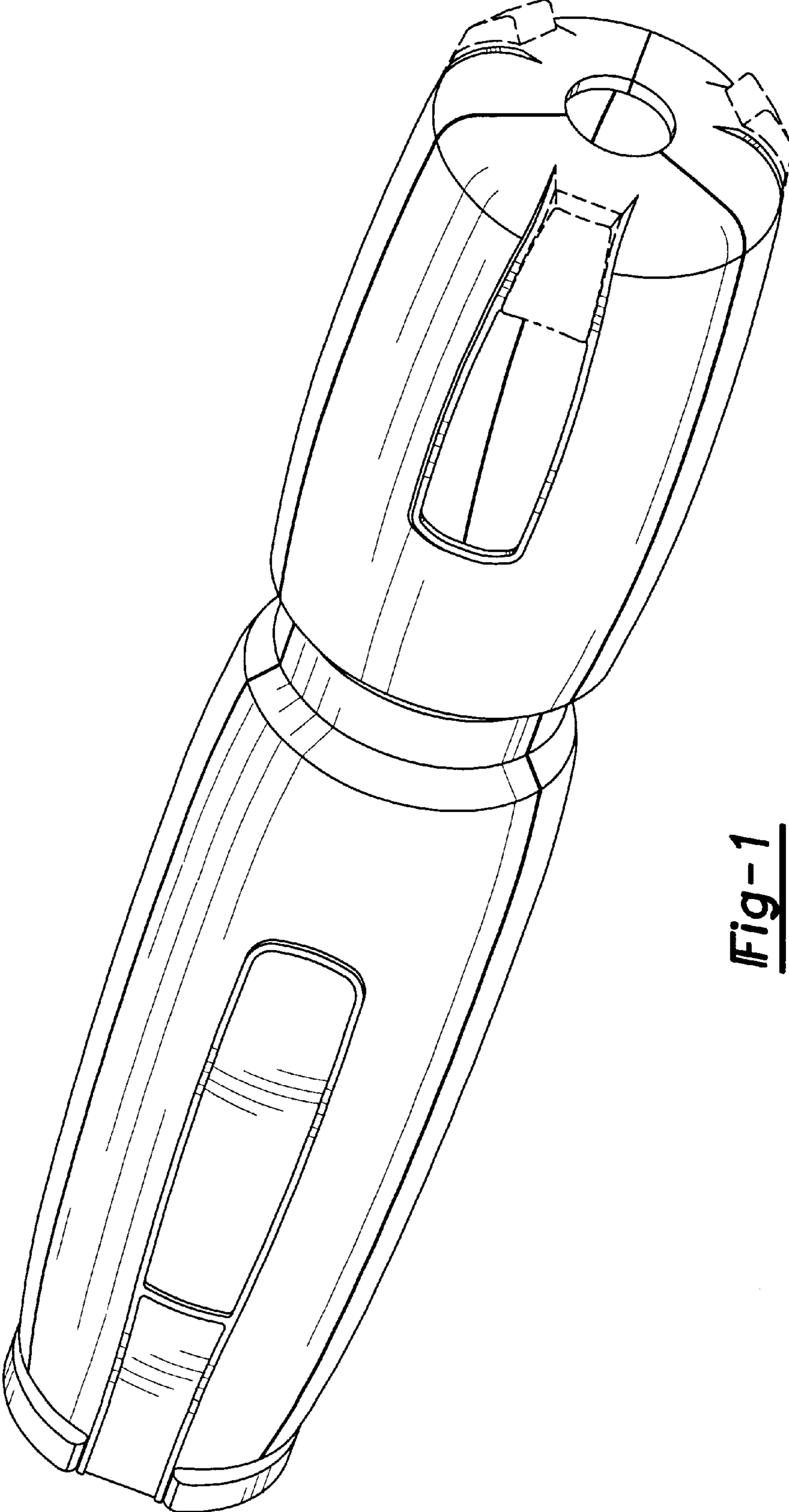


Fig-1

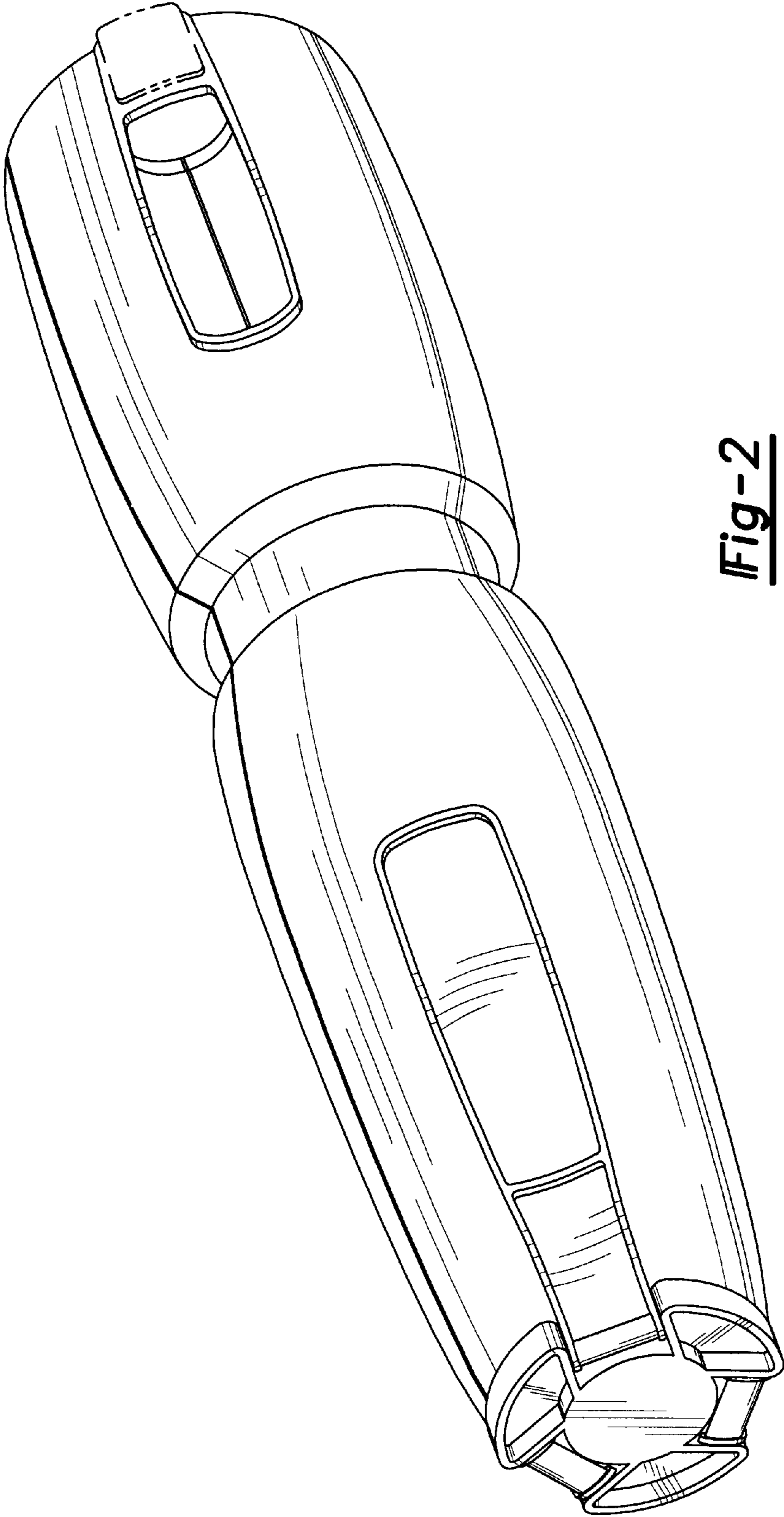


Fig-2