



US00D509525S

(12) **United States Design Patent**  
**Yatabe**

(10) **Patent No.:** **US D509,525 S**

(45) **Date of Patent:** **\*\* Sep. 13, 2005**

(54) **DIGITAL CAMERA**

D502,722 S \* 3/2005 Horikiri ..... D16/219

(75) Inventor: **Takashi Yatabe**, Higashimurayama (JP)

\* cited by examiner

(73) Assignee: **Casio Keisanki Kabushiki Kaisha**,  
Tokyo (JP)

*Primary Examiner*—Adir Aronovich  
(74) *Attorney, Agent, or Firm*—Frishauf, Holtz, Goodman  
& Chick, P.C.

(\*\*) Term: **14 Years**

(57) **CLAIM**

(21) Appl. No.: **29/210,240**

The ornamental design for a digital camera, as shown and described.

(22) Filed: **Jul. 28, 2004**

(51) **LOC (8) Cl.** ..... **16-05**

(52) **U.S. Cl.** ..... **D16/219; D16/202**

(58) **Field of Search** ..... D16/200–206,  
D16/208, 217, 218, 219; 348/373–376;  
358/906, 909.1; 396/6, 7, 429, 535–541

**DESCRIPTION**

(56) **References Cited**

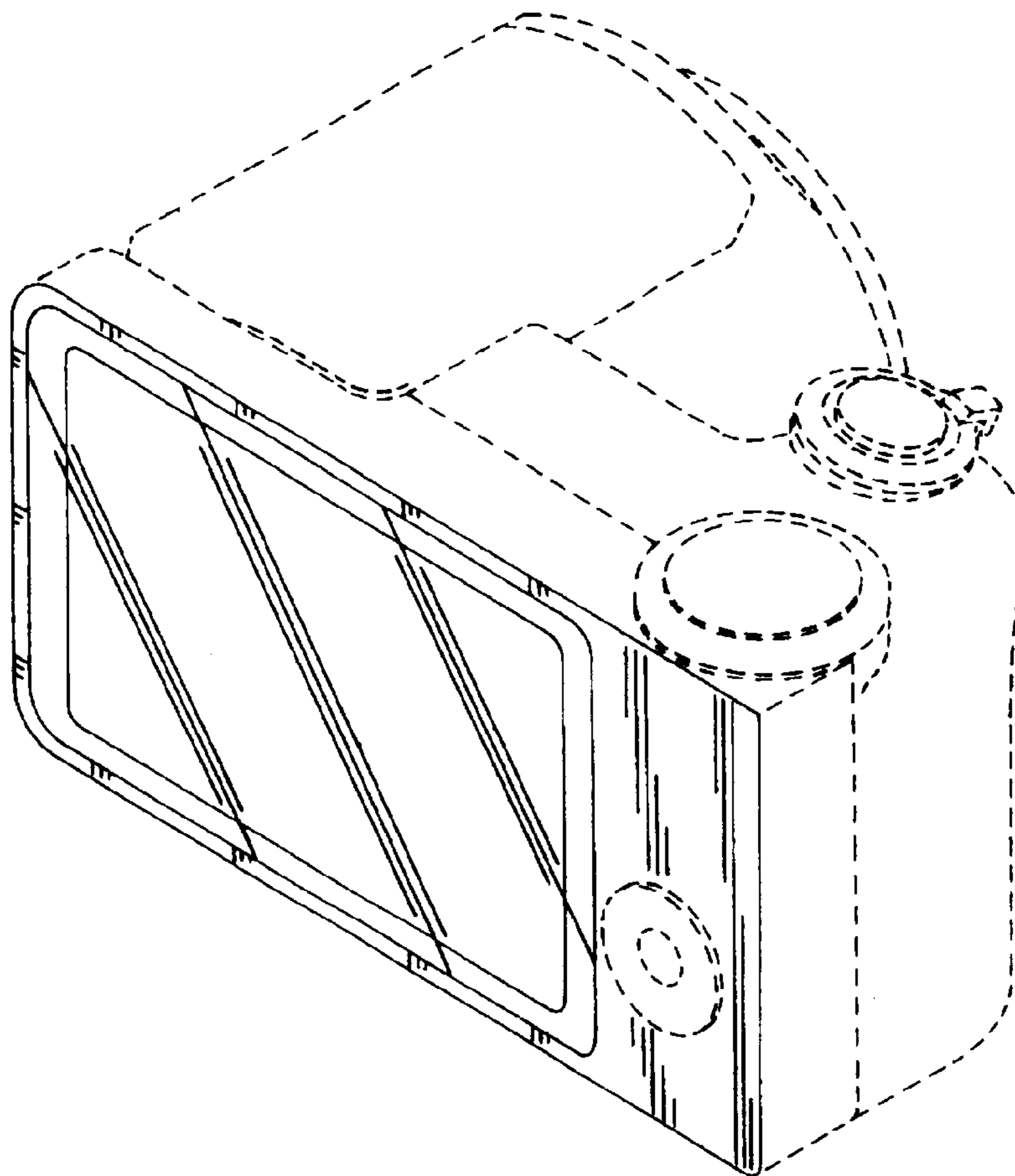
**U.S. PATENT DOCUMENTS**

- D387,078 S \* 12/1997 Akita ..... D16/202
- D426,253 S \* 6/2000 Nakanishi ..... D16/219
- D484,167 S \* 12/2003 Naito ..... D16/219
- 6,747,808 B2 \* 6/2004 Voss et al. .... 348/45
- 6,788,894 B2 \* 9/2004 Suzuki et al. .... 396/535
- D500,779 S \* 1/2005 Shimobayashi ..... D16/219

FIG. 1 is a reduced scale rear, left side, top perspective view of a digital camera showing my new design;  
FIG. 2 is rear elevational view thereof;  
FIG. 3 is a front elevational view thereof;  
FIG. 4 is a right side view thereof;  
FIG. 5 is a left side view thereof;  
FIG. 6 is a top plan view thereof; and,  
FIG. 7 is a bottom plan view thereof.

The broken line showing of portions of the digital camera are for illustrative purposes only and form no part of the claimed design.

**1 Claim, 4 Drawing Sheets**



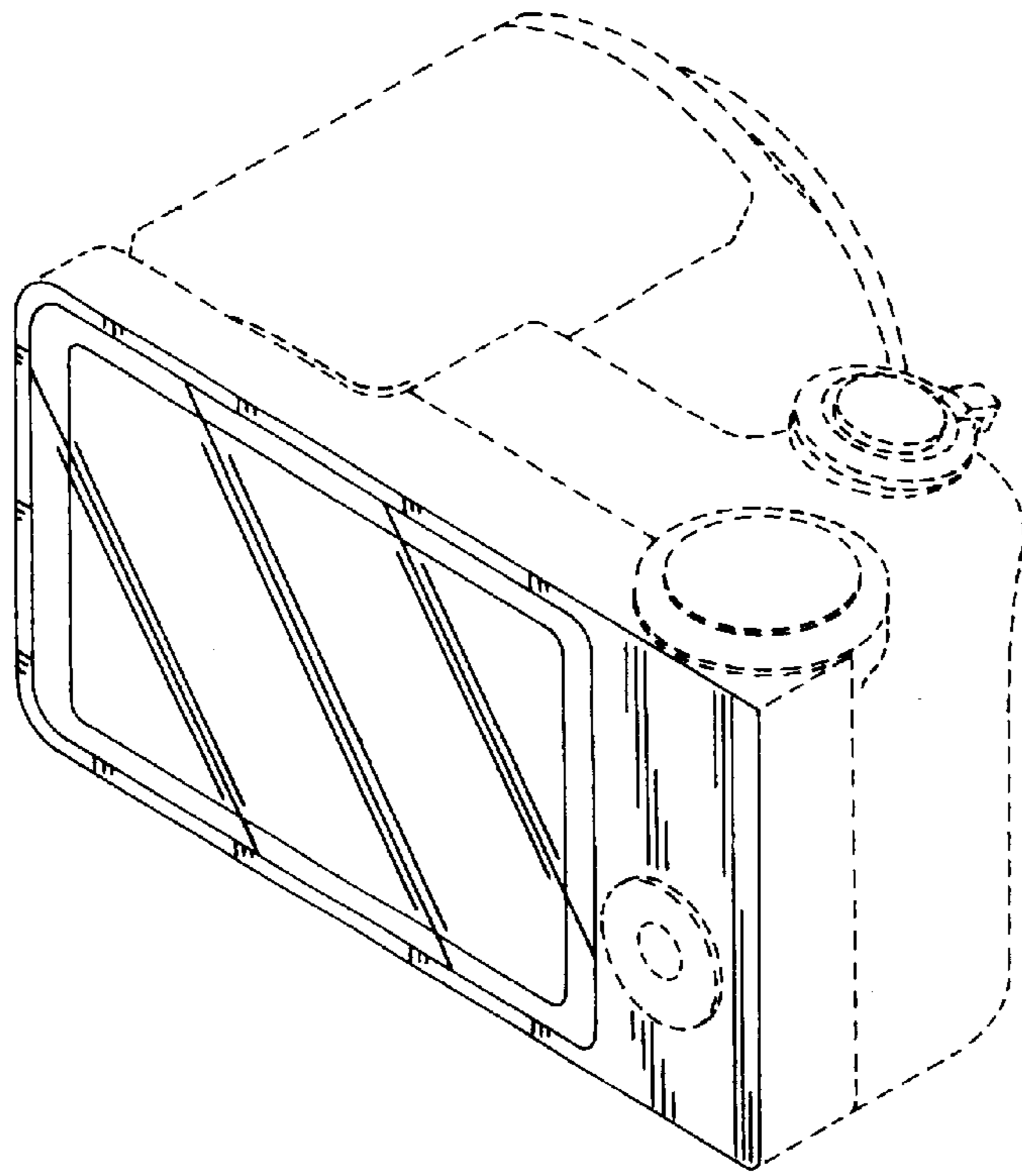


FIG. 1

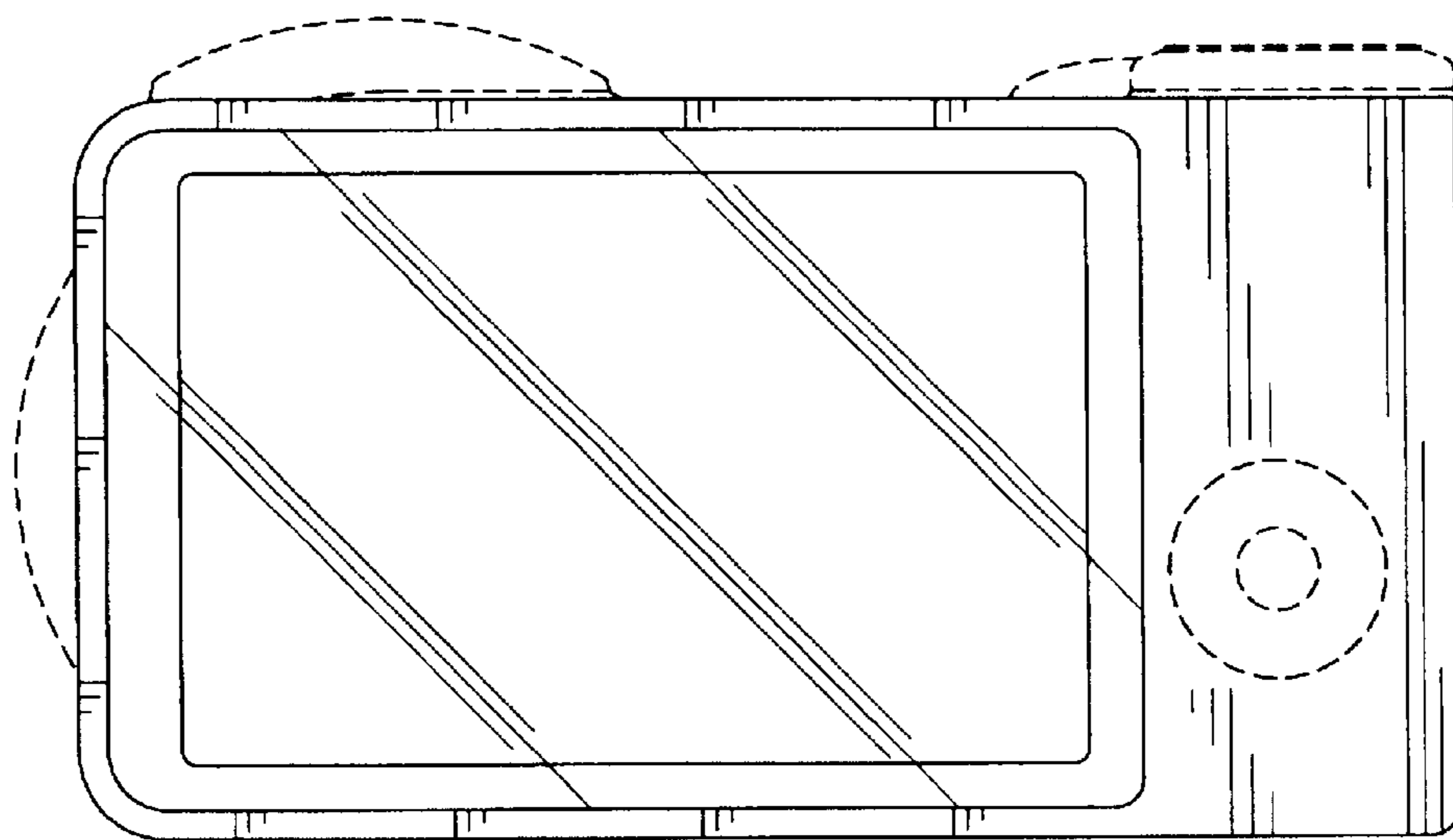
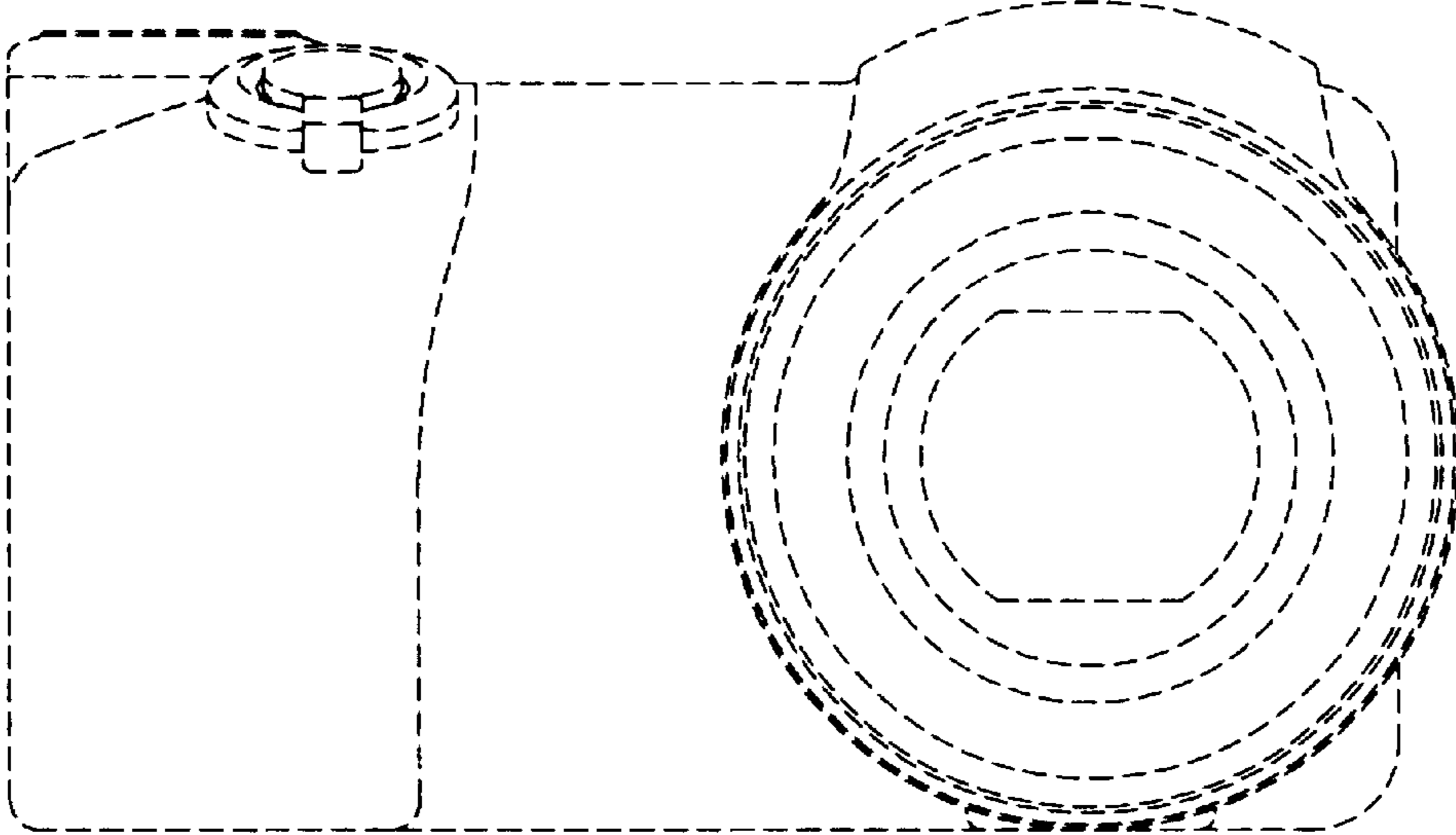
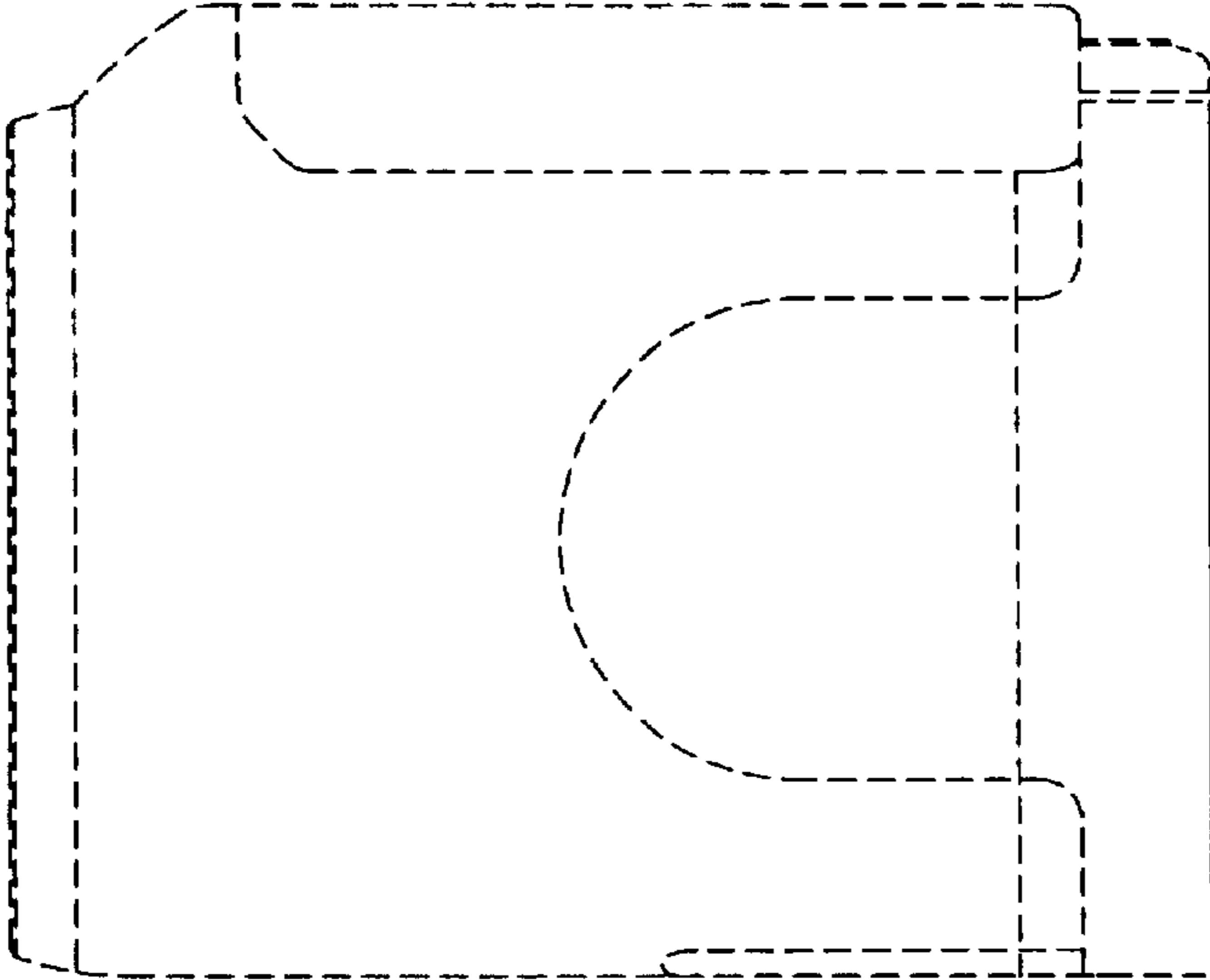


FIG. 2



**FIG. 3**



**FIG. 4**

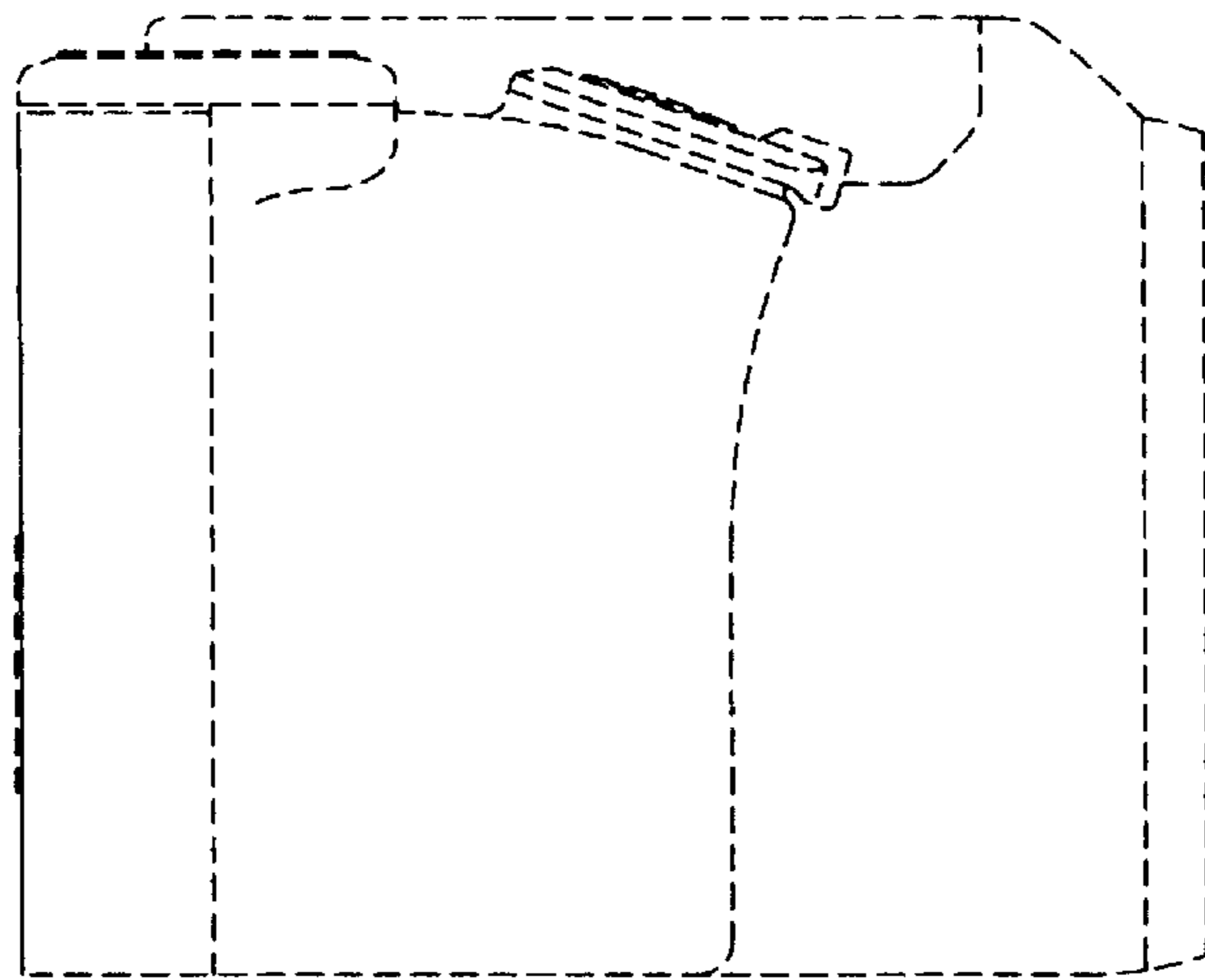


FIG. 5

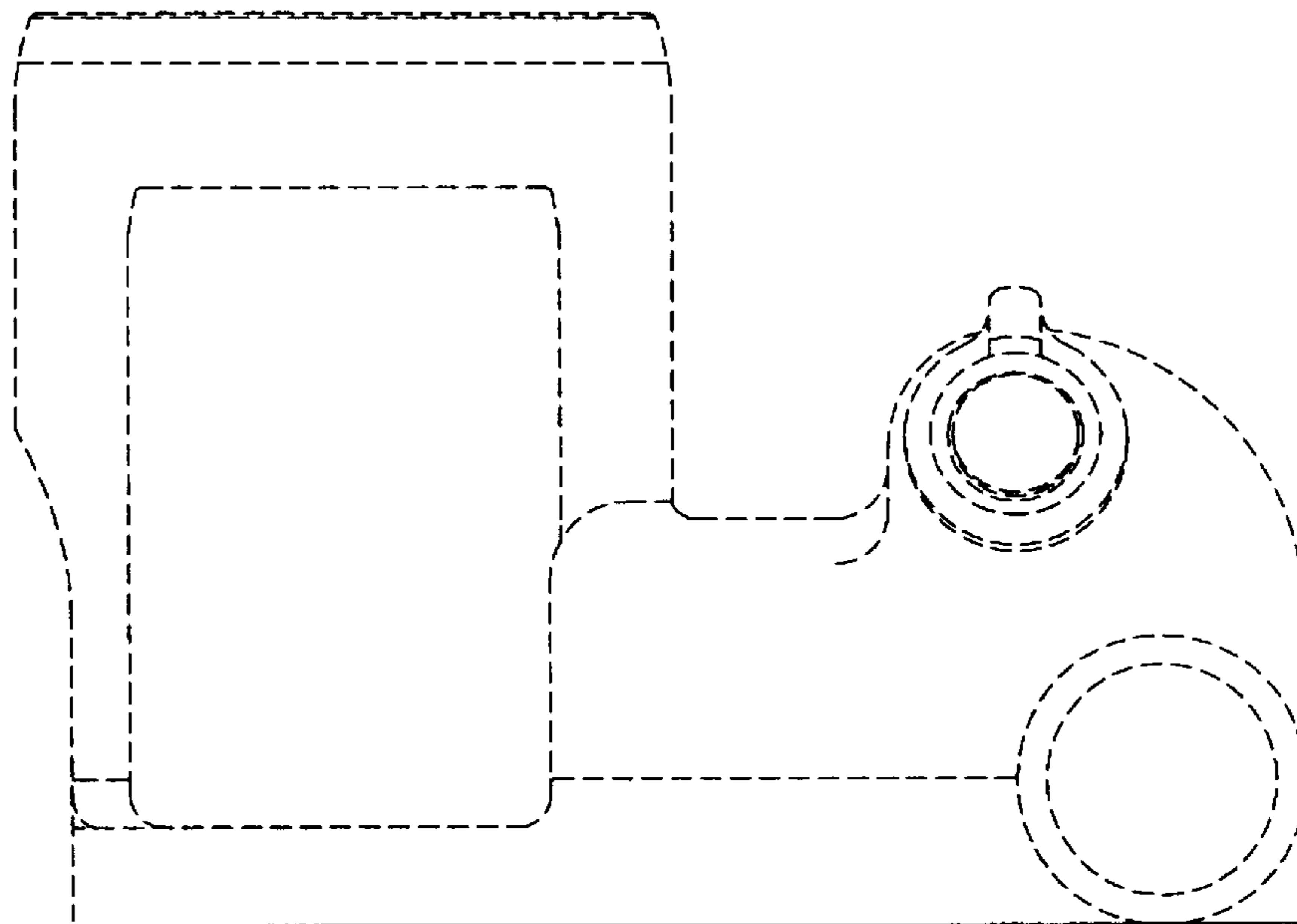


FIG. 6

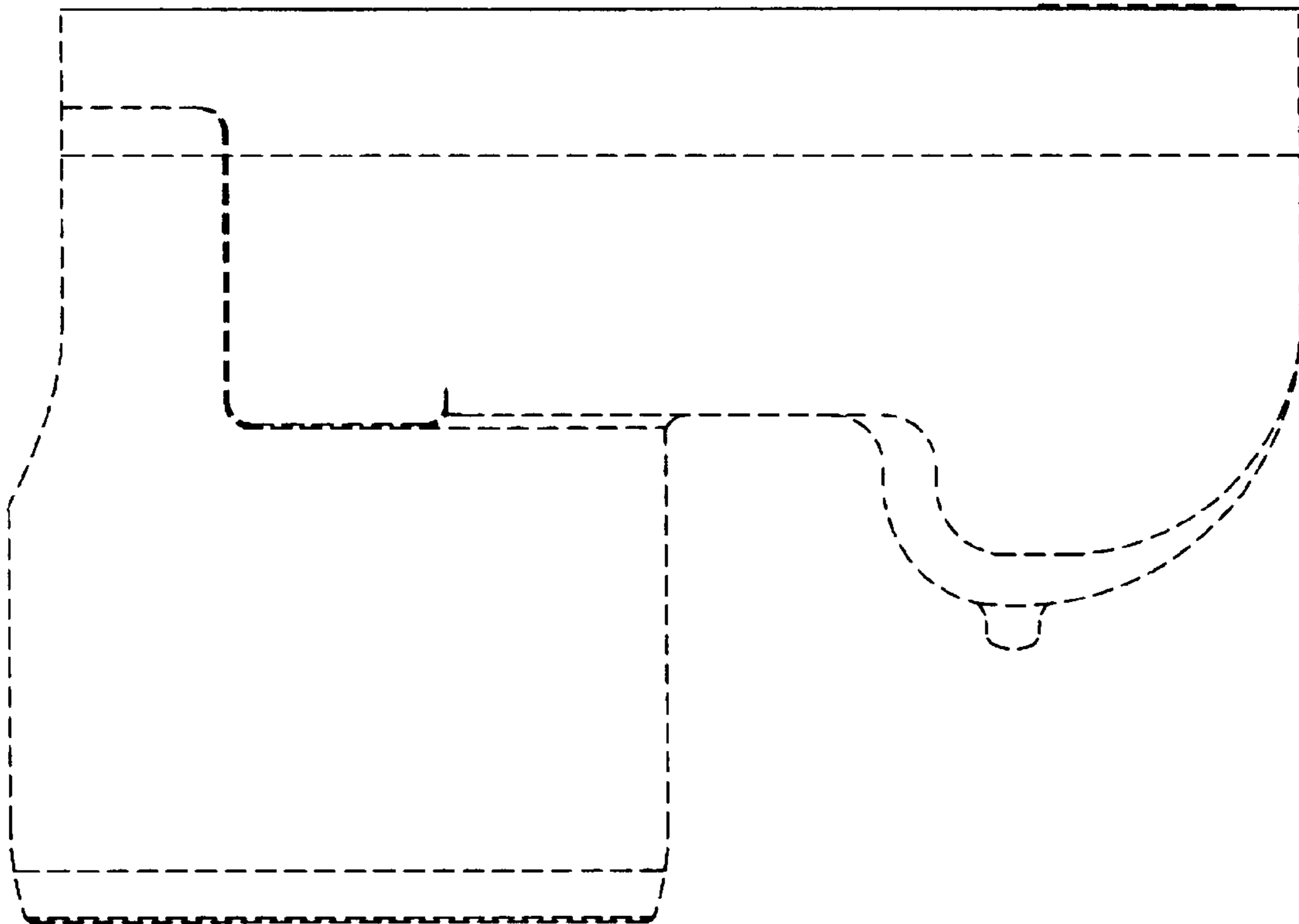


FIG. 7