

US00D509524S

(12) **United States Design Patent**
Watanabe

(10) **Patent No.:** **US D509,524 S**

(45) **Date of Patent:** **** Sep. 13, 2005**

(54) **DIGITAL CAMERA**

(75) **Inventor:** **Akira Watanabe, Tokyo (JP)**

(73) **Assignee:** **PENTAX Corporation, Tokyo (JP)**

(**) **Term:** **14 Years**

(21) **Appl. No.:** **29/209,879**

(22) **Filed:** **Jul. 23, 2004**

(30) **Foreign Application Priority Data**

Feb. 3, 2004 (JP) 2004-002634

(51) **LOC (8) Cl.** **16-05**

(52) **U.S. Cl.** **D16/219; D16/202**

(58) **Field of Search** **D16/200-206,**
D16/208, 218, 219; 348/373-376; 358/909.1;
396/535-541

(56) **References Cited**

U.S. PATENT DOCUMENTS

D457,903 S * 5/2002 Nasu D16/202
D475,383 S * 6/2003 Omino D16/202
D480,742 S * 10/2003 Chin D16/202
D484,167 S * 12/2003 Naito D16/219

D496,380 S * 9/2004 Isomoto D16/202
D496,675 S * 9/2004 Fujii D16/202
6,788,894 B2 * 9/2004 Suzuki et al. 348/373

* cited by examiner

Primary Examiner—Adir Aronovich

(74) *Attorney, Agent, or Firm*—Sughrue Mion, PLLC

(57) **CLAIM**

The ornamental design for a digital camera, as shown and described.

DESCRIPTION

FIG. 1 is a perspective view of the top, front and right side of a digital camera showing in my new design;

FIG. 2 is a perspective view of the top, rear and left side view thereof;

FIG. 3 is a top plan view thereof;

FIG. 4 is a front elevational view thereof;

FIG. 5 is a left side elevational view thereof;

FIG. 6 is a right side elevational view thereof;

FIG. 7 is a rear elevatioanl view thereof; and,

FIG. 8 is a bottom plan view thereof.

The elements shown in broken lines are for illustrative purposes only and form no part of the claimed design.

1 Claim, 5 Drawing Sheets

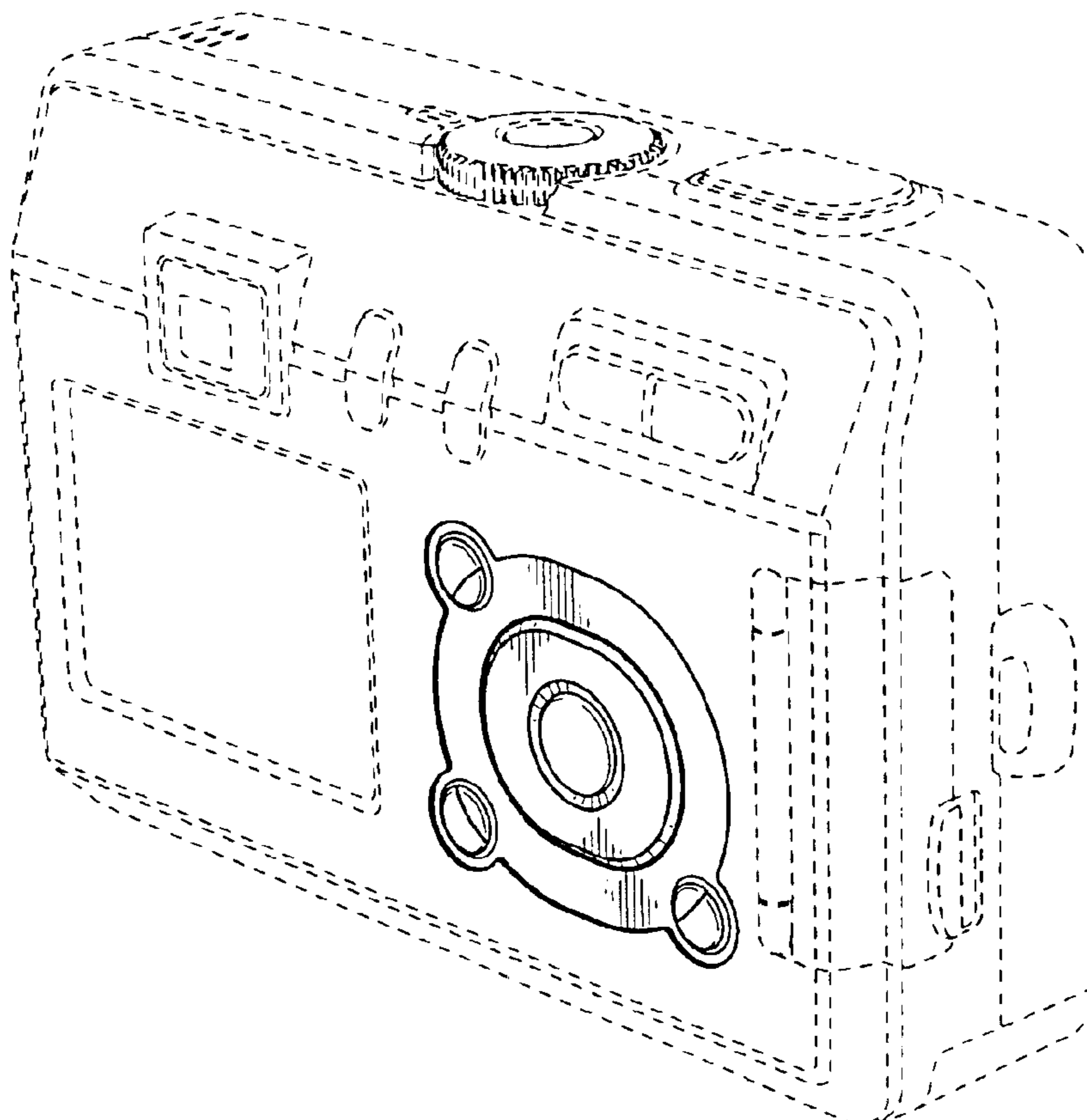


FIG. 1

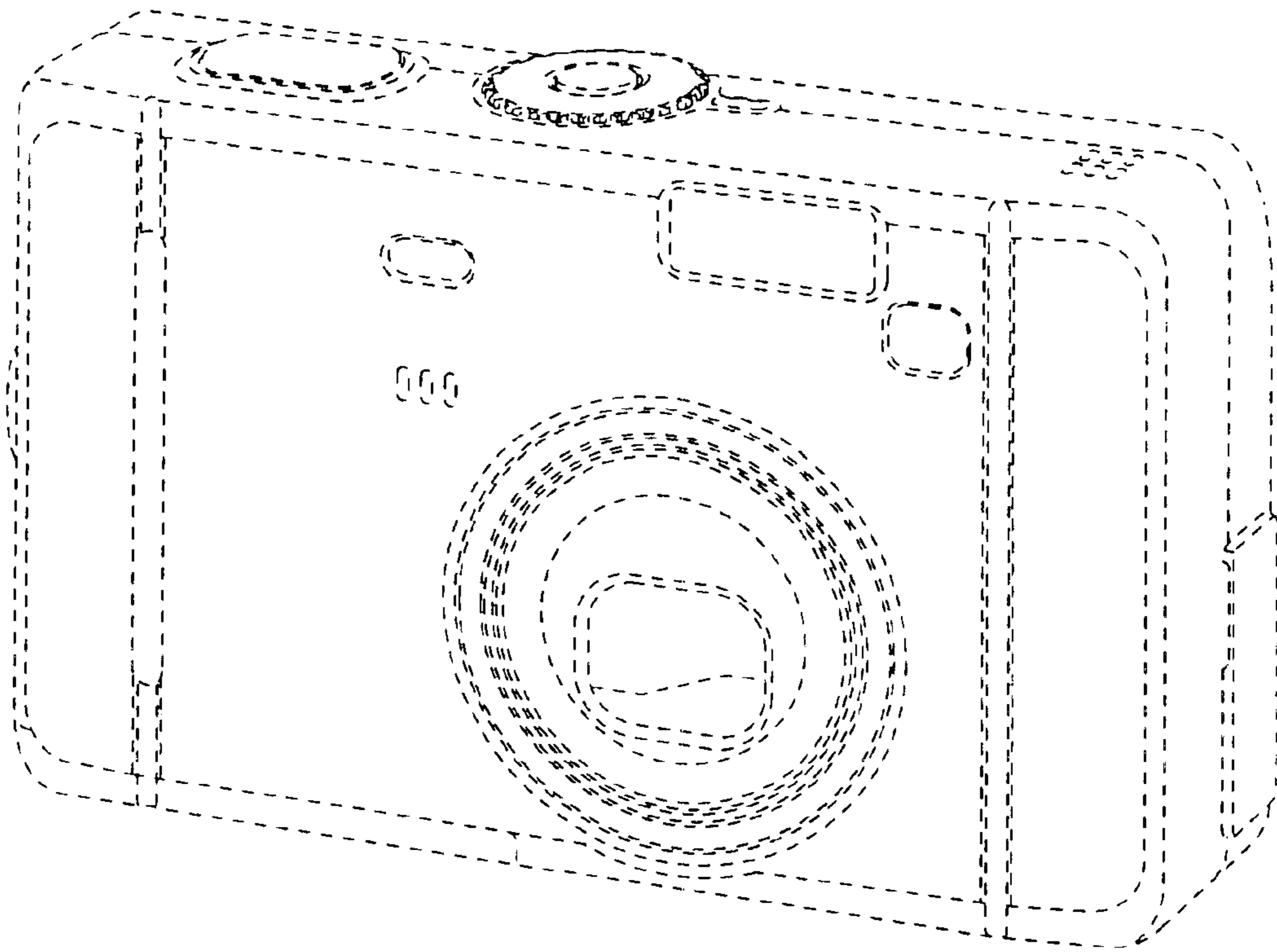


FIG. 2

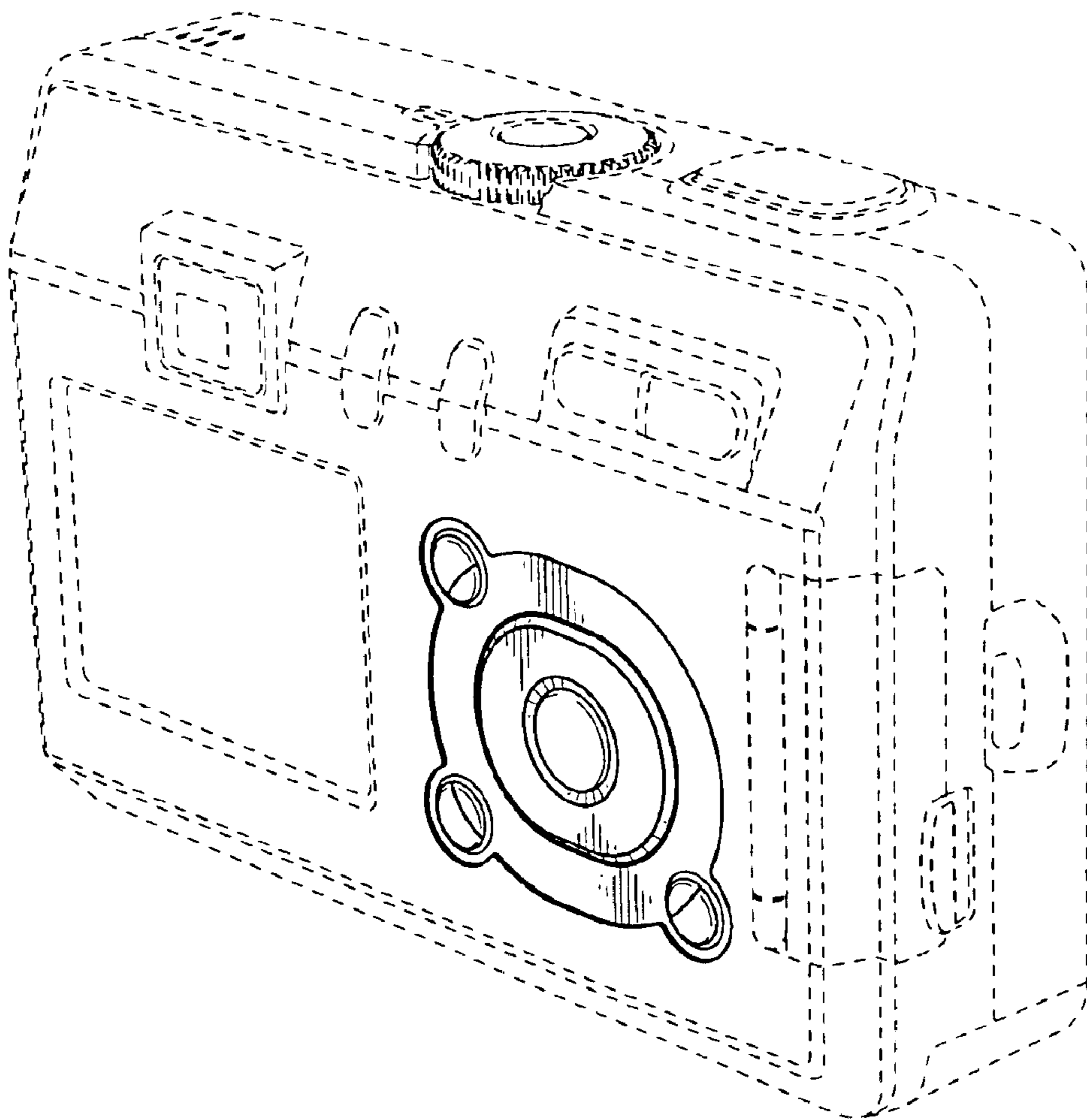


FIG. 3

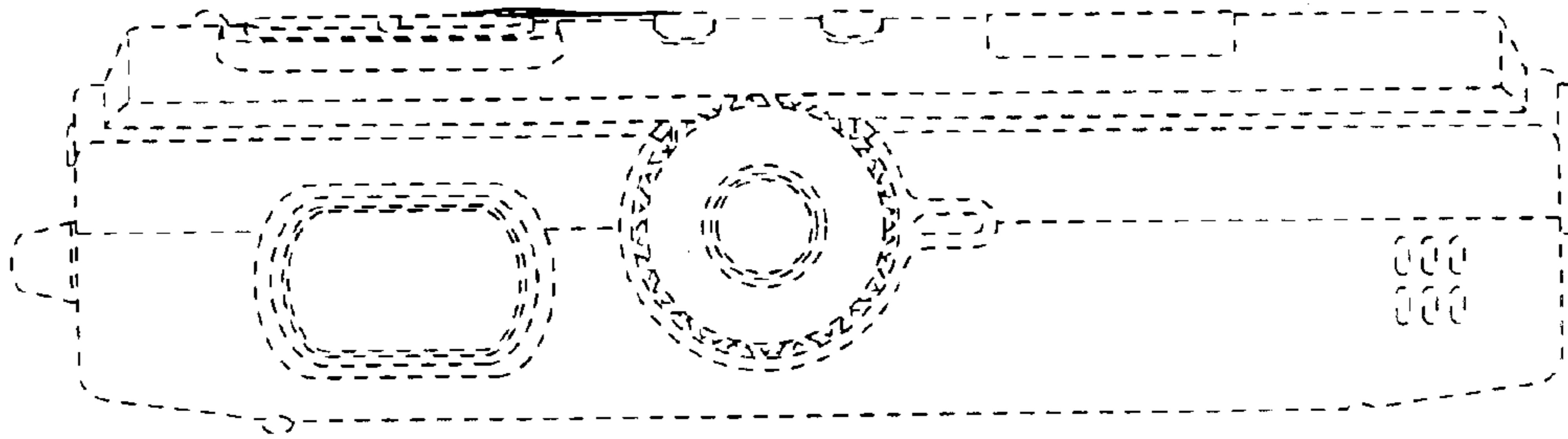


FIG. 4

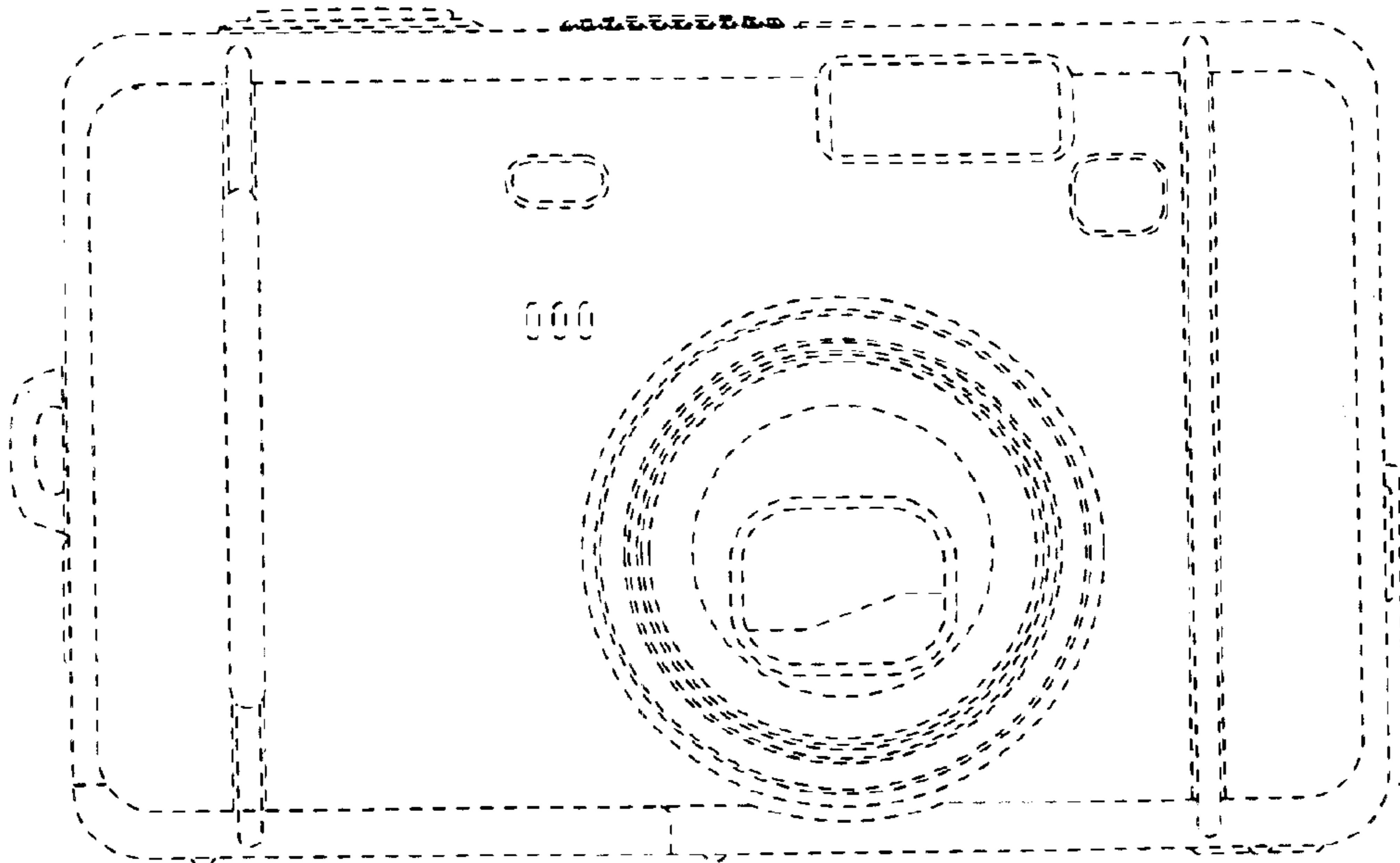


FIG. 5

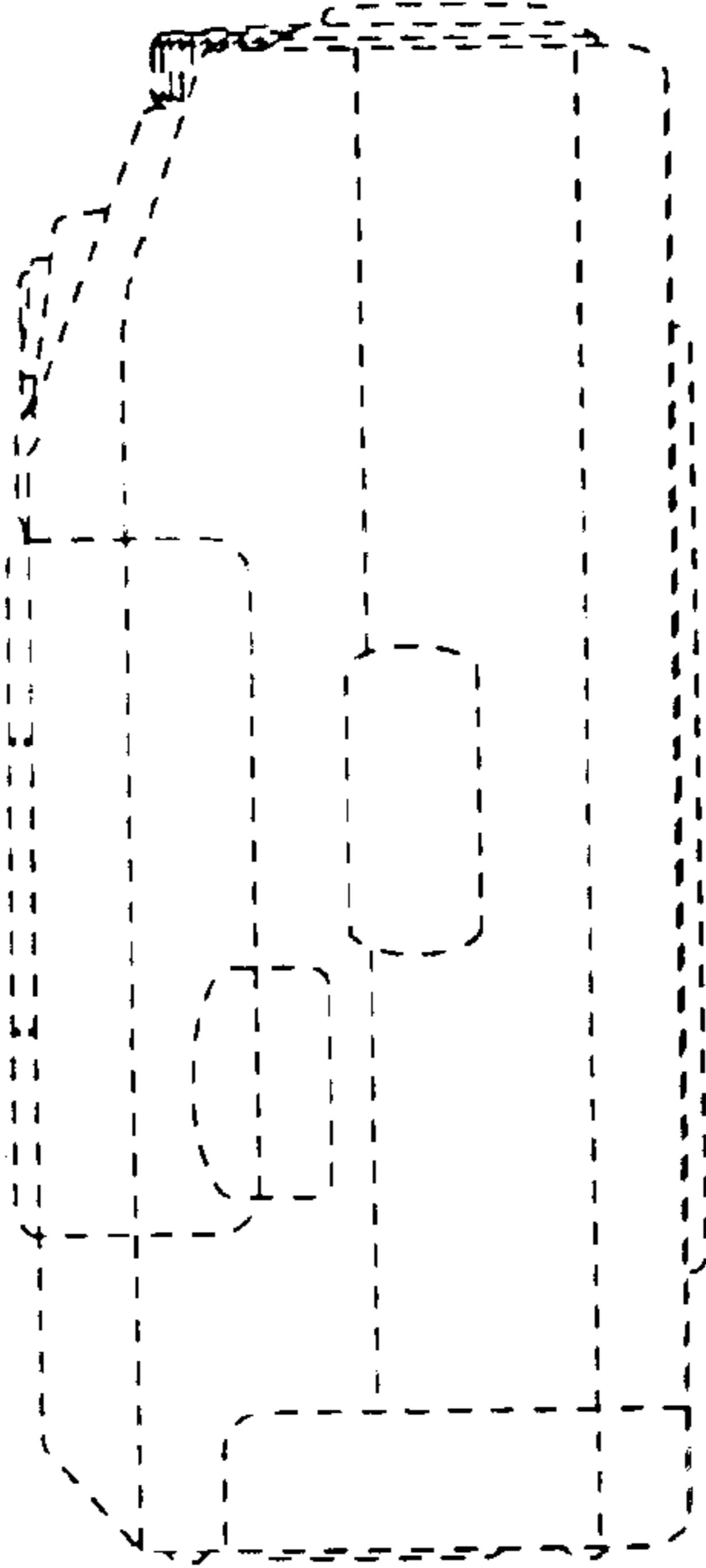


FIG. 6

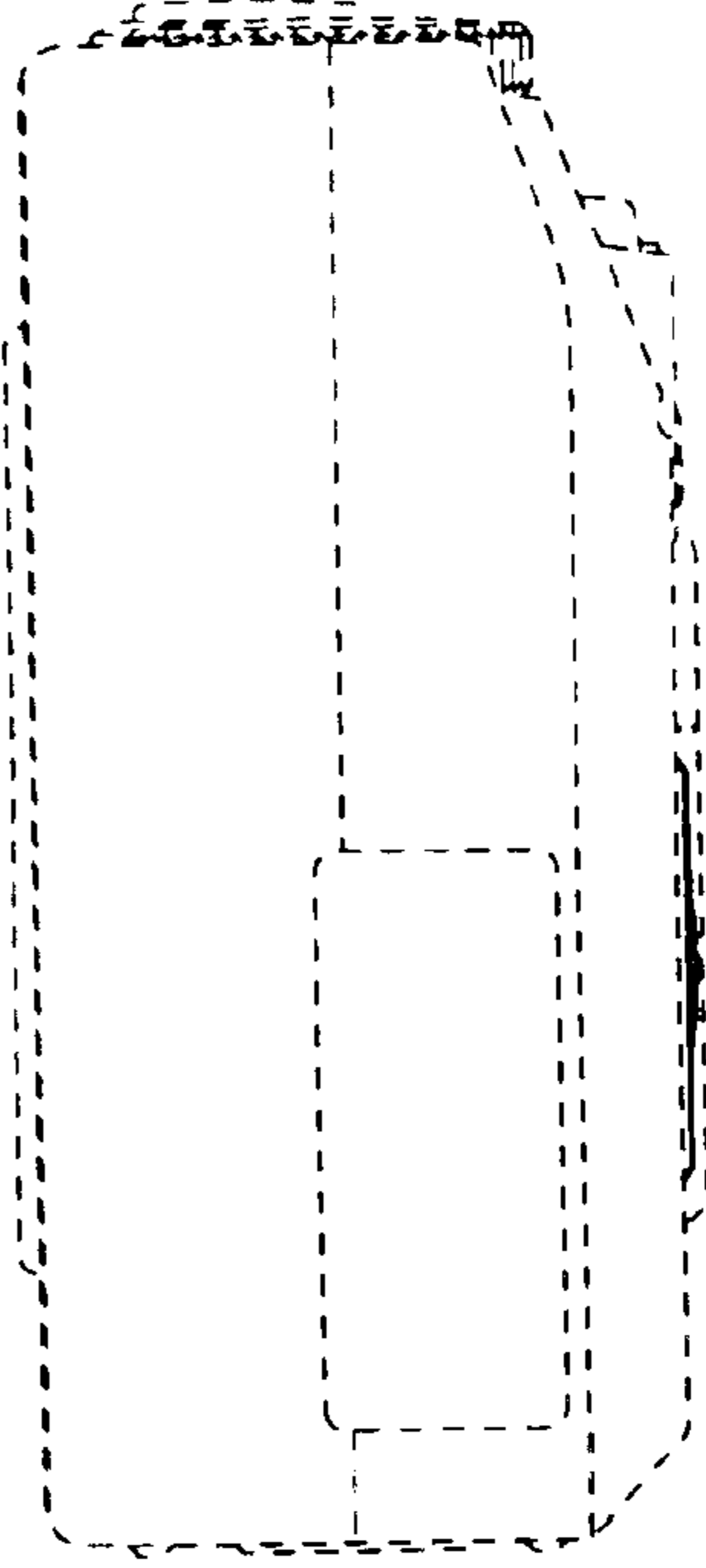


FIG. 7

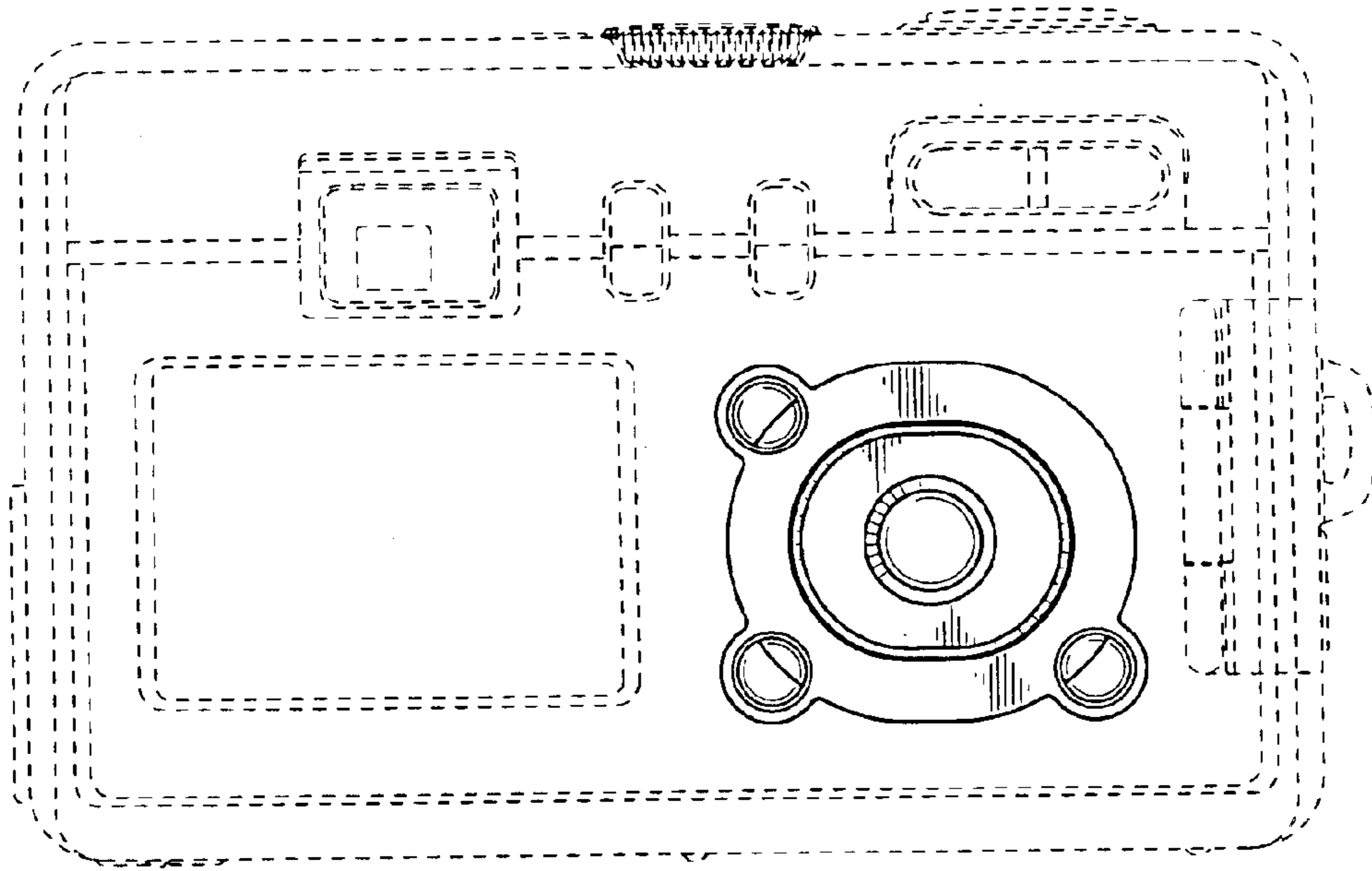


FIG. 8

