

US00D509521S

(12) **United States Design Patent** (10) **Patent No.:** **US D509,521 S**
Swift et al. (45) **Date of Patent:** **** Sep. 13, 2005**

- (54) **MICROSCOPE WITH TRIPOD BASE**
- (75) Inventors: **Alison C. Swift**, San Jose, CA (US); **David John Copeland**, Milton, MA (US); **Daniel J. Nelsen**, Providence, RI (US); **Aidan John Petrie**, Jamestown, RI (US); **Ryan Patrick White**, Georgetown, MA (US); **Robert J. Garay**, San Jose, CA (US); **Jacques Valiquette**, San Jose, CA (US)
- (73) Assignee: **Swift Instruments, Inc.**, San Jose, CA (US)
- (**) Term: **14 Years**
- (21) Appl. No.: **29/202,629**
- (22) Filed: **Mar. 31, 2004**
- (51) **LOC (8) Cl.** **16-06**
- (52) **U.S. Cl.** **D16/131**
- (58) **Field of Search** D16/130, 131, D16/136, 214, 219, 242, 244; 359/368, 376, 377, 378, 385, 390, 393, 381, 388, 801; 248/169

(56) **References Cited**

U.S. PATENT DOCUMENTS

D221,900 S	*	9/1971	Wylie et al.	D16/242
3,830,560 A		8/1974	Onanian		
3,921,947 A	*	11/1975	Adam	248/169
5,930,034 A	*	7/1999	Fukumoto	359/381
D423,029 S	*	4/2000	Kawahata	D16/131
D423,536 S	*	4/2000	Hashimoto	D16/131
6,204,695 B1		3/2001	Alfke et al.		
6,400,395 B1		6/2002	Hoover et al.		
D459,744 S	*	7/2002	Apotheloz	D16/131

OTHER PUBLICATIONS

Microscope-Depot.com on-line catalog for cordless microscope "L-series", <http://www.microscope-depot.com/seriesL.asp>, 3 pp.

Omni Optical.com on-line product information sheet for Konus microscope sets, <http://www.omni-optical.com/micro/sm210.htm>.

Ken-a-vision on-line product information sheet for cordless lighted microscopes, <http://www.ken-a-vision.com/cordlescope.htm>, 4 pp.

Fisher Scientific on-line catalog for Fisher Micromaster* Digital and Video Microscopes, <https://www1.fishersci.com/Coupon?gid=2436392&cid=1328>, 4 pp.

Product information sheet for Swift M2250 Series Intermediate Compound Microscope, Swift Instruments, Inc., Scientific Instrument Division, San Jose, CA.

Product information sheet for Swift M2251C Cordless compound Microscope, Swift Instruments, Inc., Scientific Instrument Division, San Jose, CA.

MicroscopesRus on-line product information sheet for compound microscope <http://www.microscopesrus.com/microscopebasics.htm>, 2 pp.

* cited by examiner

Primary Examiner—Paula A. Greene
(74) *Attorney, Agent, or Firm*—Fish & Richardson P.C.

(57) **CLAIM**

The ornamental design for a microscope with tripod base, as shown and described.

DESCRIPTION

FIG. 1 is a perspective view of a microscope with tripod base from the front.

FIG. 2 is a perspective view of a microscope with tripod base from the rear.

FIG. 3 is a front view thereof.

FIG. 4 is a rear view thereof.

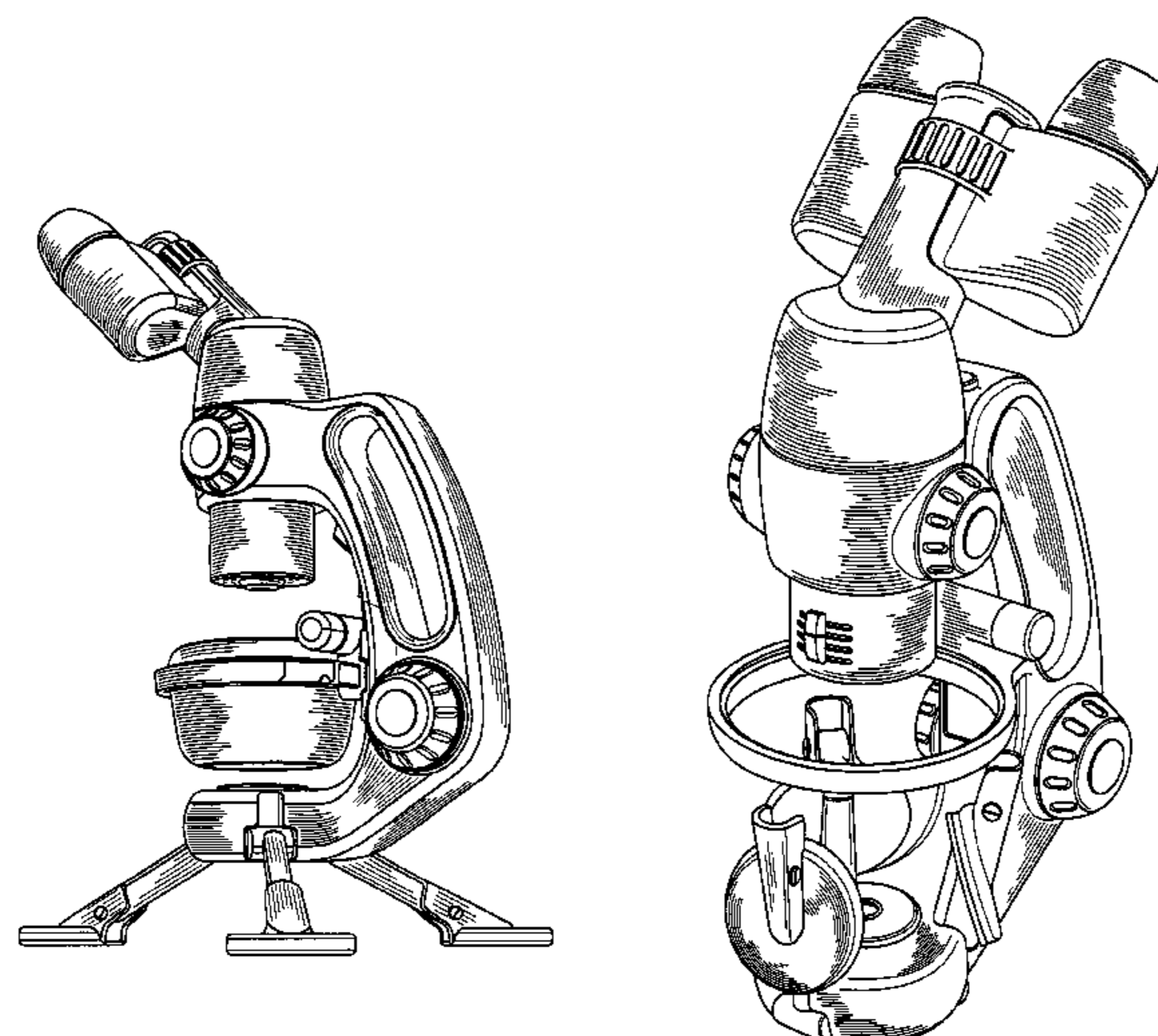
FIG. 5 is a side view thereof.

FIG. 6 is a top view thereof.

FIG. 7 is a perspective view of a microscope with tripod base from the front with the legs extended; and,

FIG. 8 is a perspective view of a microscope with tripod base from the front with the legs retracted.

1 Claim, 8 Drawing Sheets



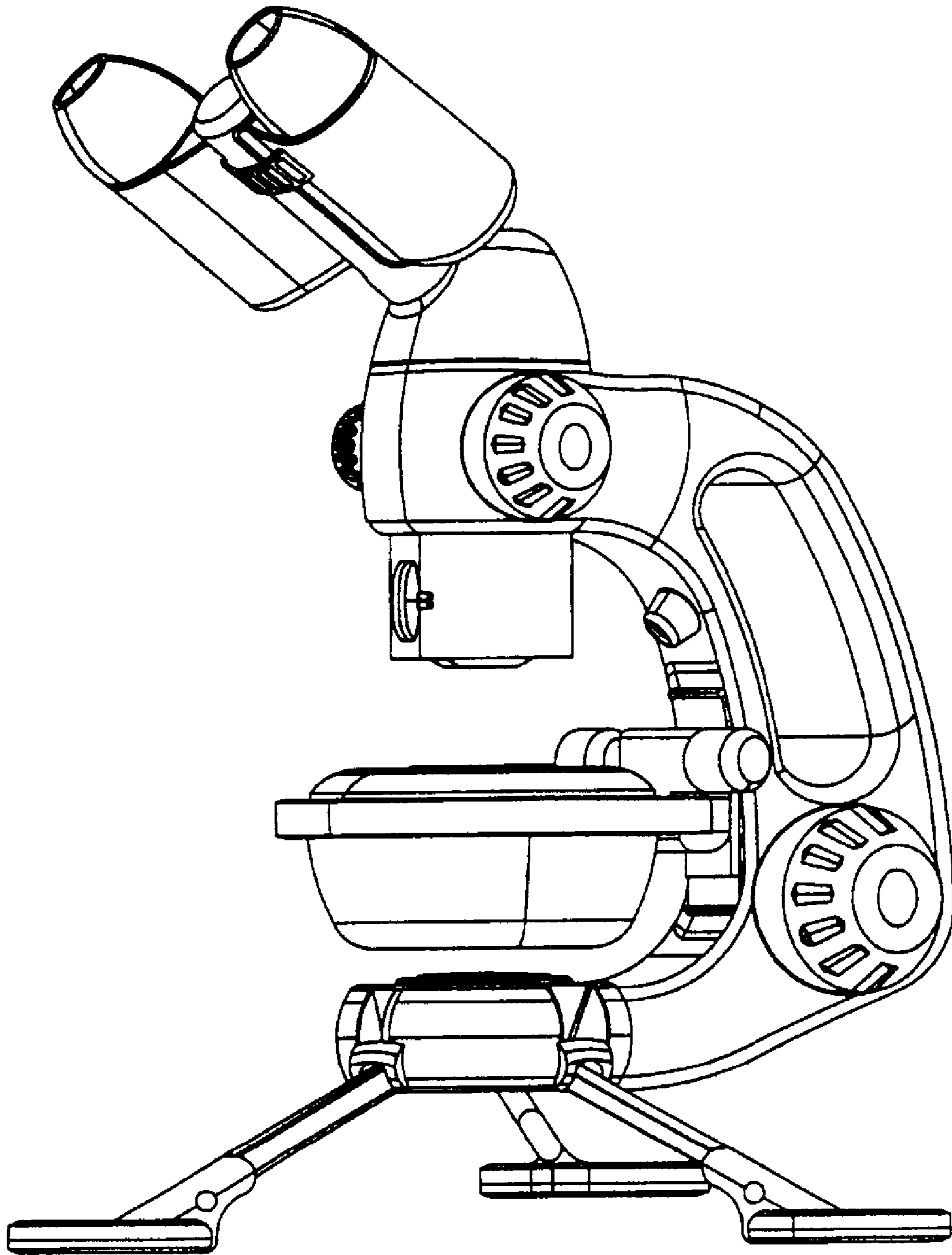


FIG. 1

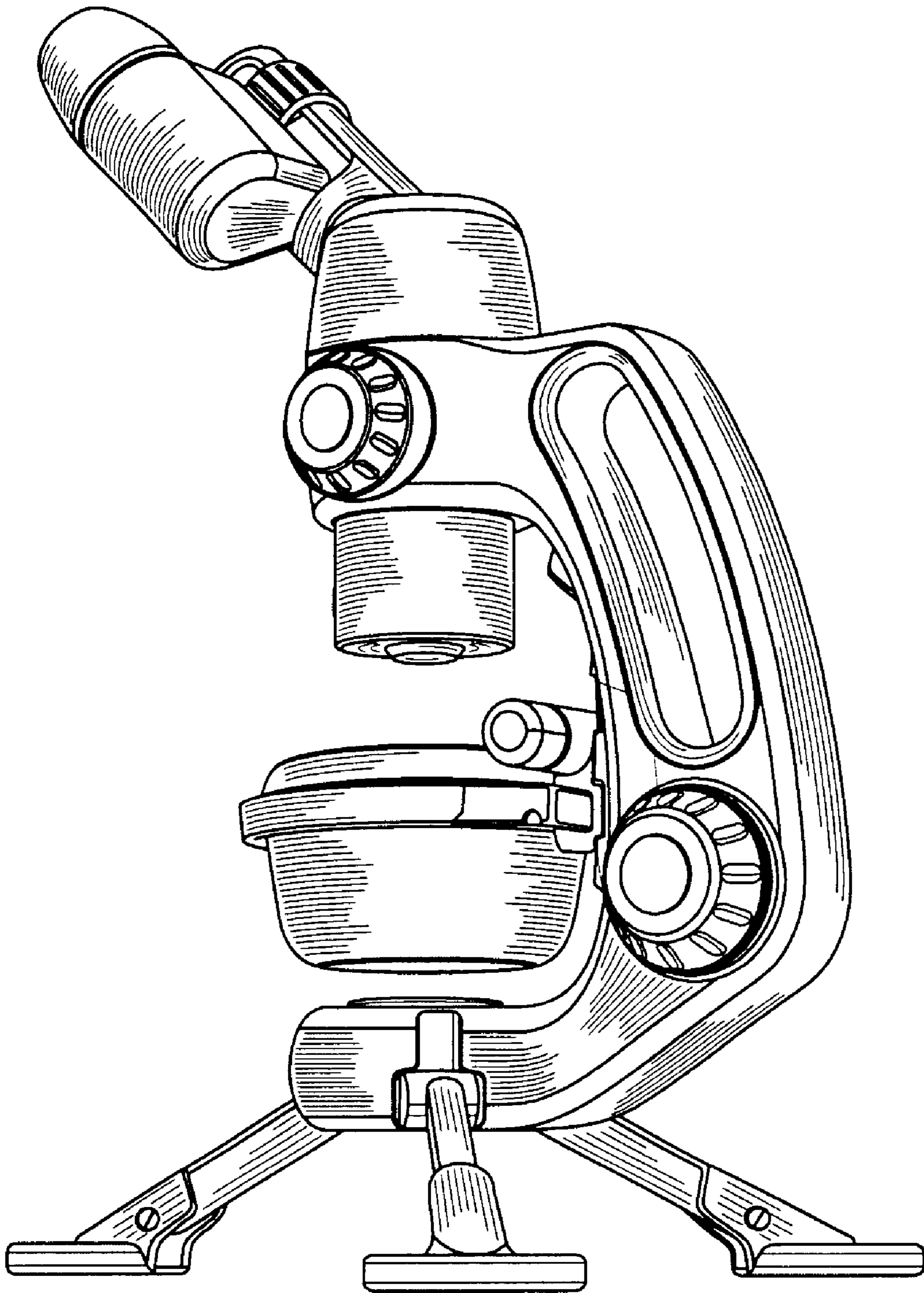


FIG. 2

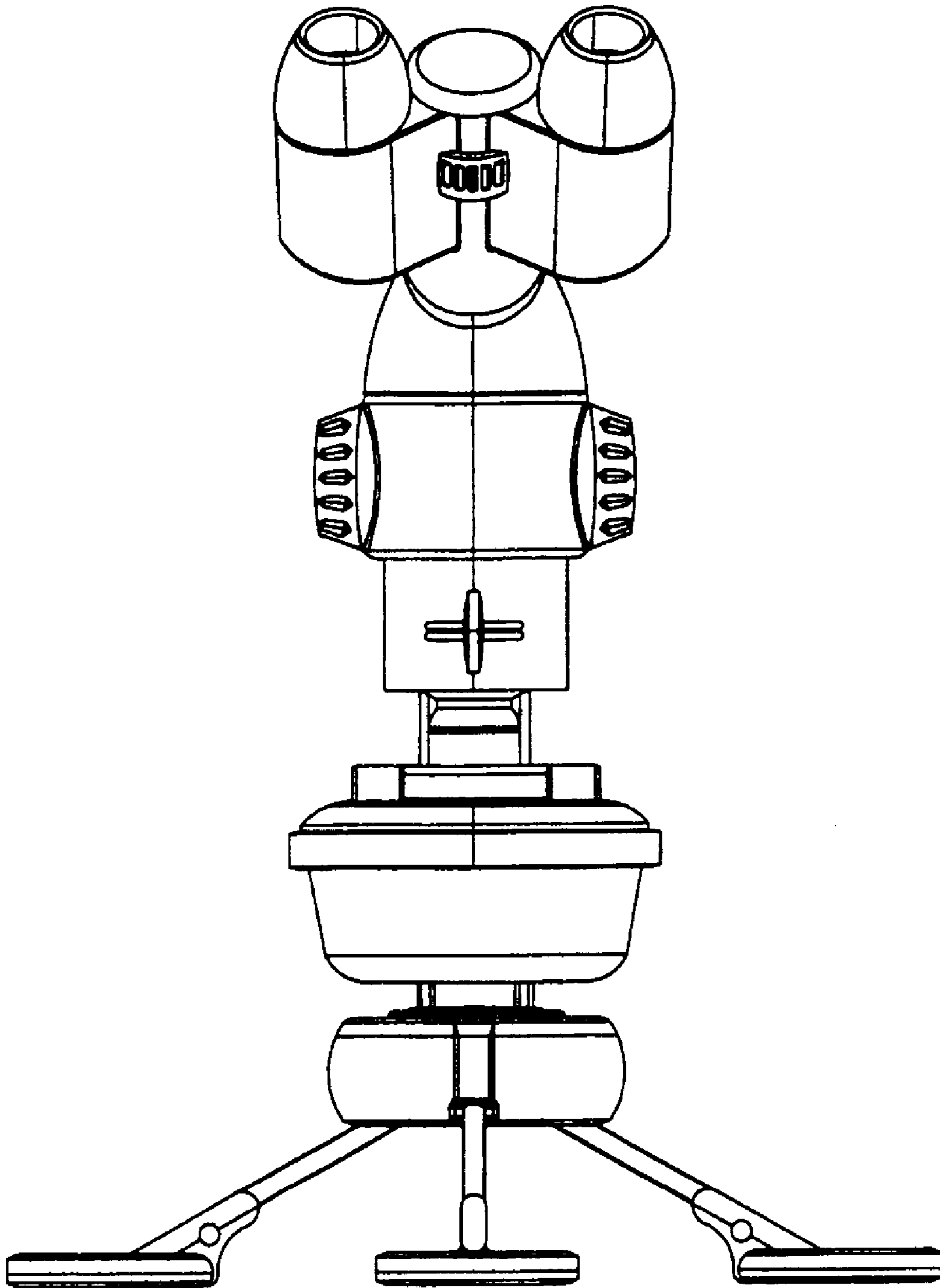


FIG. 3

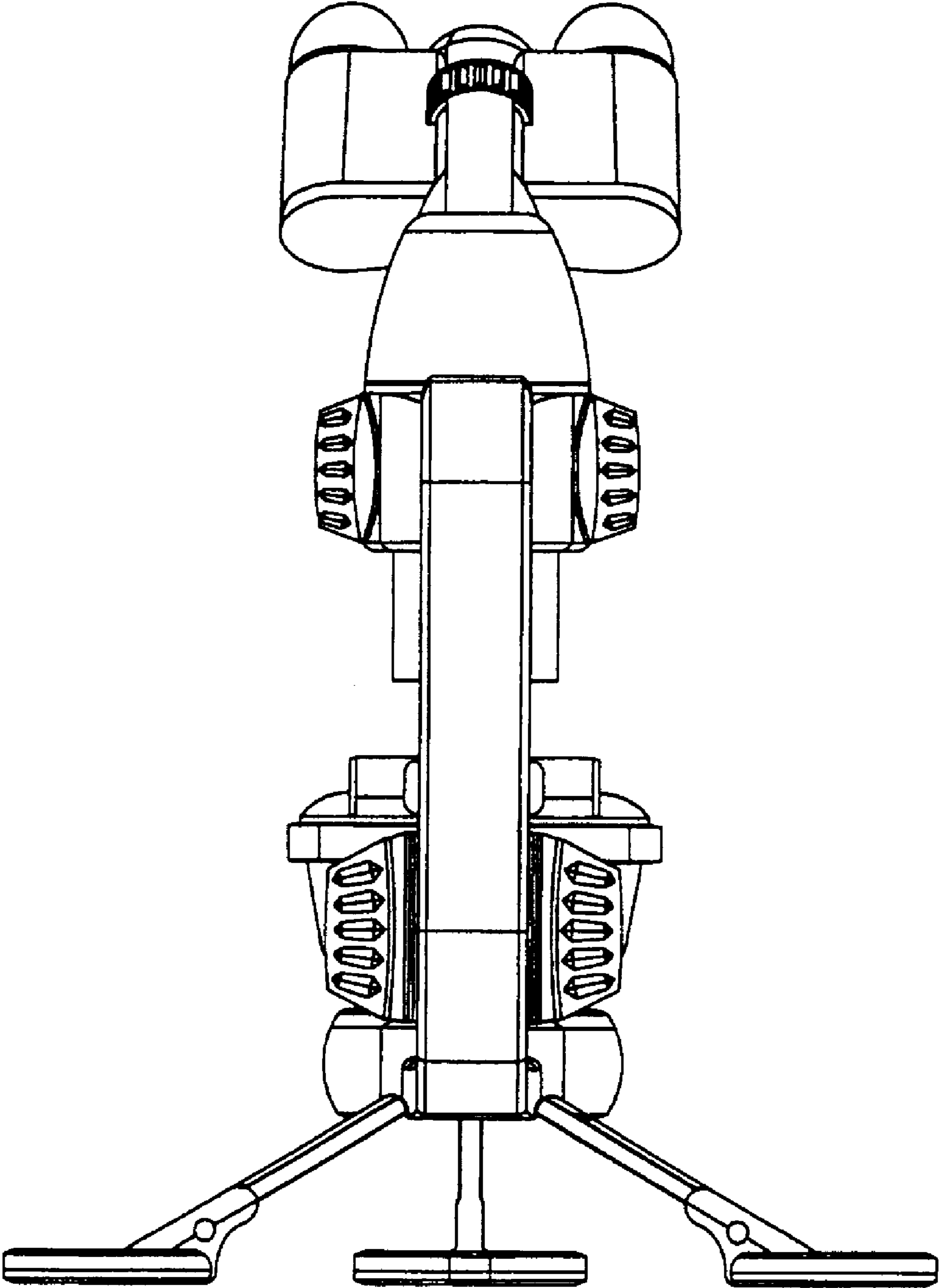


FIG. 4

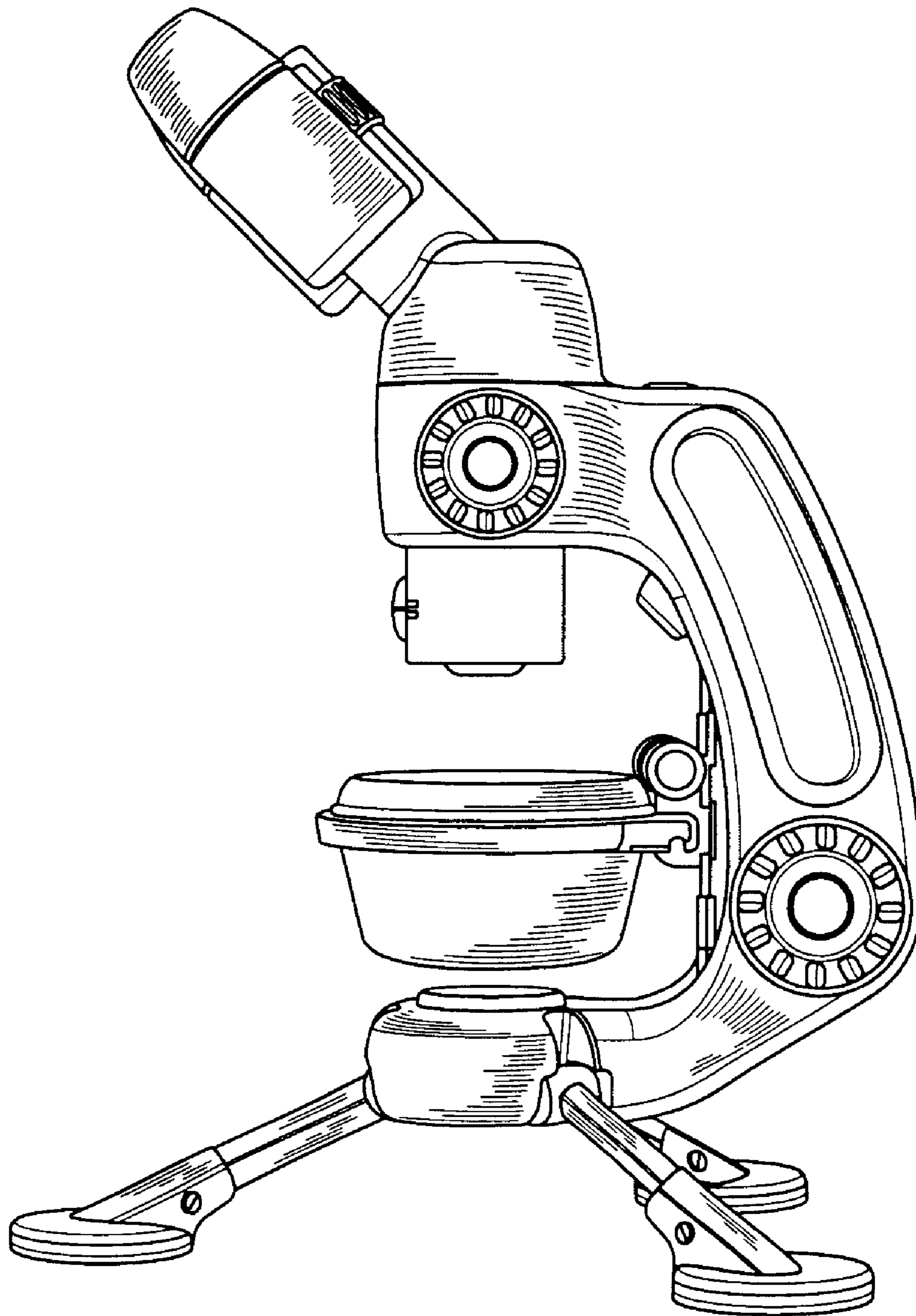


FIG. 5

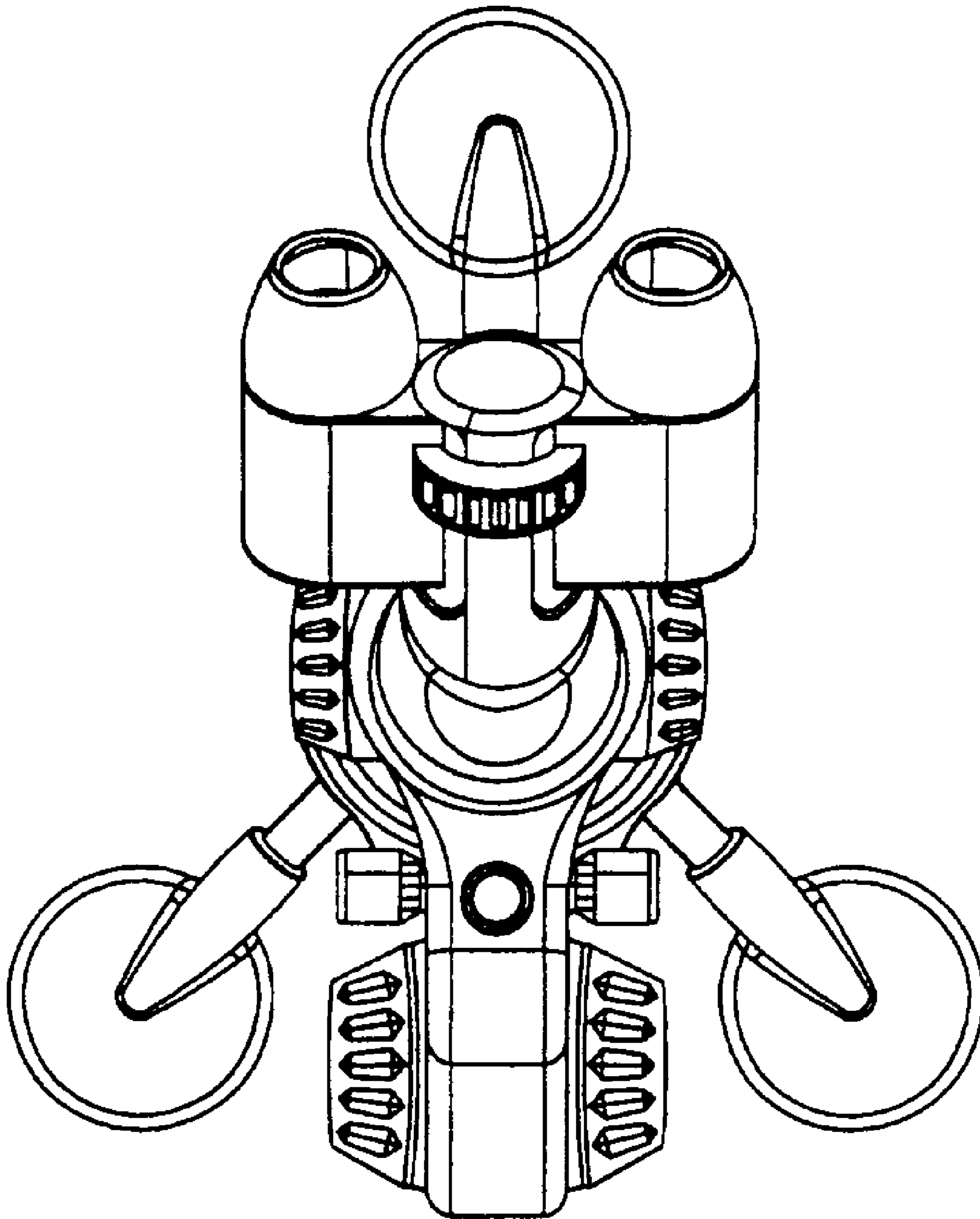


FIG. 6

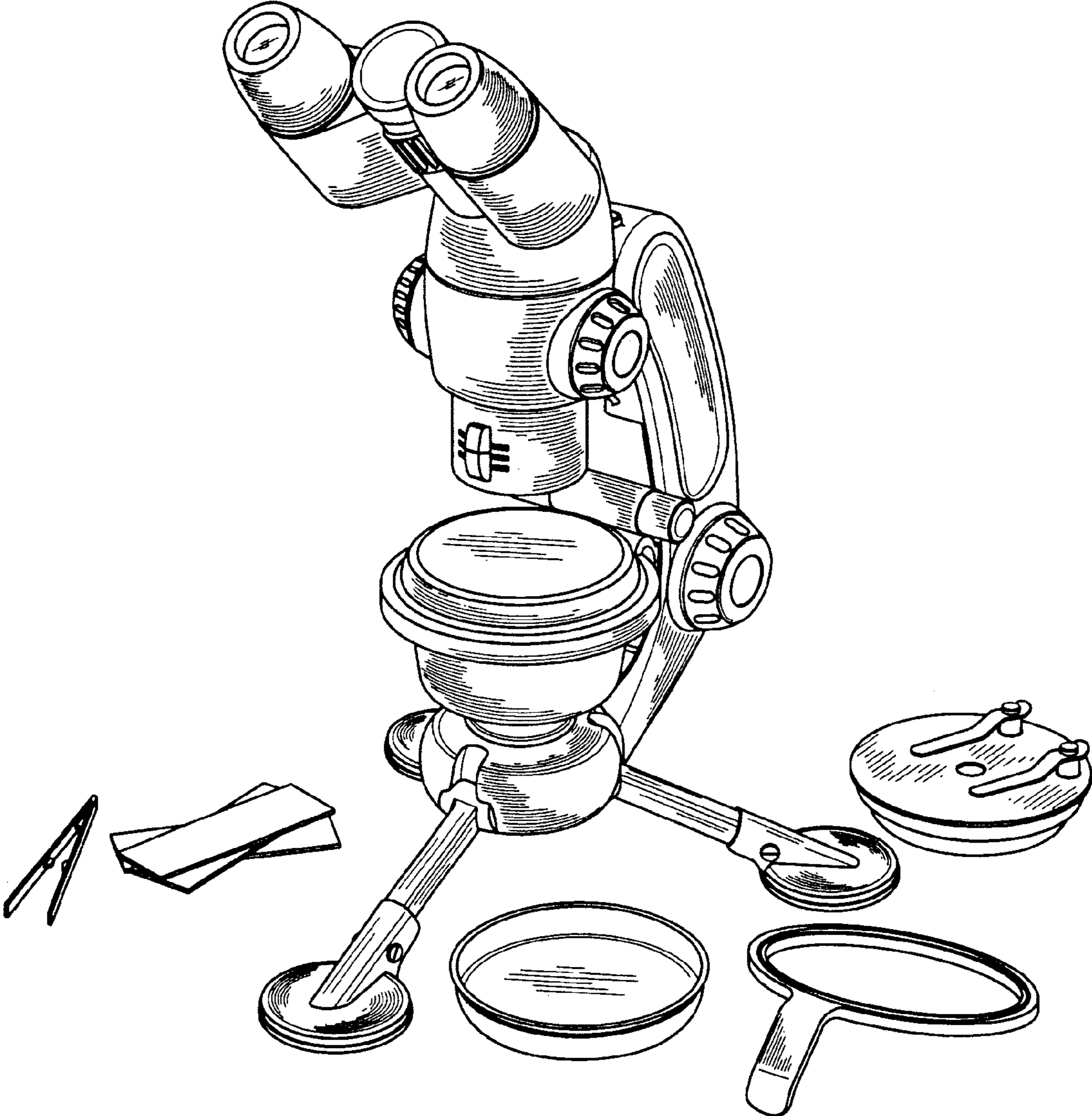


FIG. 7

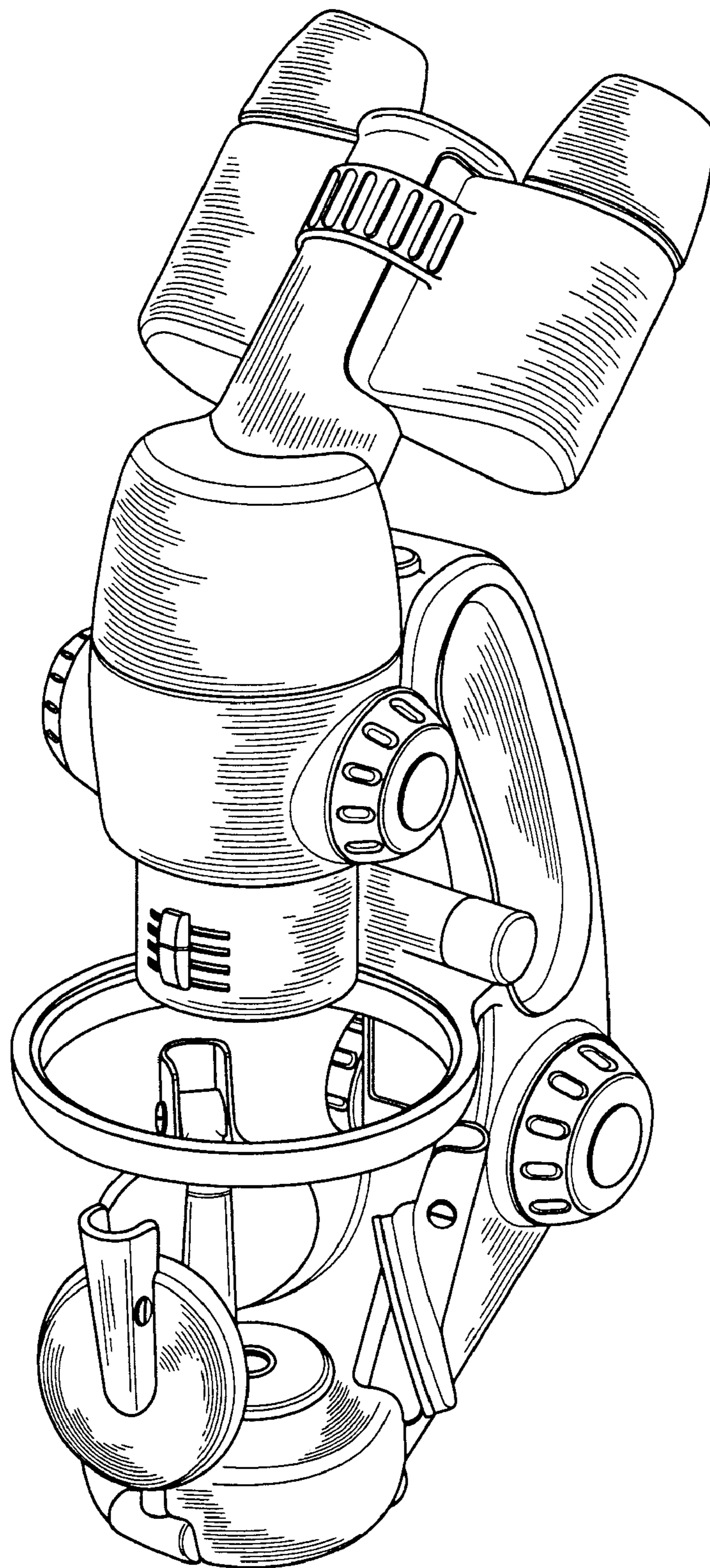


FIG. 8