

US00D509518S

(12) **United States Design Patent**  
**Radermacher**

(10) **Patent No.:** **US D509,518 S**

(45) **Date of Patent:** **\*\* Sep. 13, 2005**

(54) **ROUTER TABLE**

6,360,798 B1 \* 3/2002 Apolinski ..... 144/286.5  
D487,474 S \* 3/2004 Hon ..... D15/127

(75) Inventor: **Uwe Radermacher**, Weibern (DE)

\* cited by examiner

(73) Assignee: **wolcraft GmbH**, Kempenich (DE)

*Primary Examiner*—Antoine D. Davis

(\*\*) Term: **14 Years**

(74) *Attorney, Agent, or Firm*—Michael S. Leonard;  
Everest Intellectual Property Law Group

(21) Appl. No.: **29/211,592**

(57) **CLAIM**

(22) Filed: **Aug. 17, 2004**

The ornamental design for a router table, as shown and described.

(30) **Foreign Application Priority Data**

Feb. 25, 2004 (DE) ..... 4 04 01 211

**DESCRIPTION**

(51) **LOC (8) Cl.** ..... **15-09**

FIG. 1 is a front view of a router table of the claimed design.

(52) **U.S. Cl.** ..... **D15/127**

FIG. 2 is a left side view of the router table of FIG. 1.

(58) **Field of Search** ..... D15/127; 144/134.1,  
144/135.2, 136.1, 204.2, 253.2, 286.1, 286.5

FIG. 3 is a back side view of the router table of FIG. 1.

FIG. 4 is a right side view of the router table of FIG. 1.

FIG. 5 is a top view of the router table of FIG. 1.

FIG. 6 is a bottom view of the router table of FIG. 1.

FIG. 7 is a perspective view of the router table of FIG. 1 from above; and,

FIG. 8 is a perspective view of the router table of FIG. 1 from below.

(56) **References Cited**

**U.S. PATENT DOCUMENTS**

5,042,542 A \* 8/1991 Purviance ..... 144/135.2  
D343,846 S \* 2/1994 Balolia et al. .... D15/127  
D443,882 S \* 6/2001 Daniels et al. .... D15/127

**1 Claim, 4 Drawing Sheets**

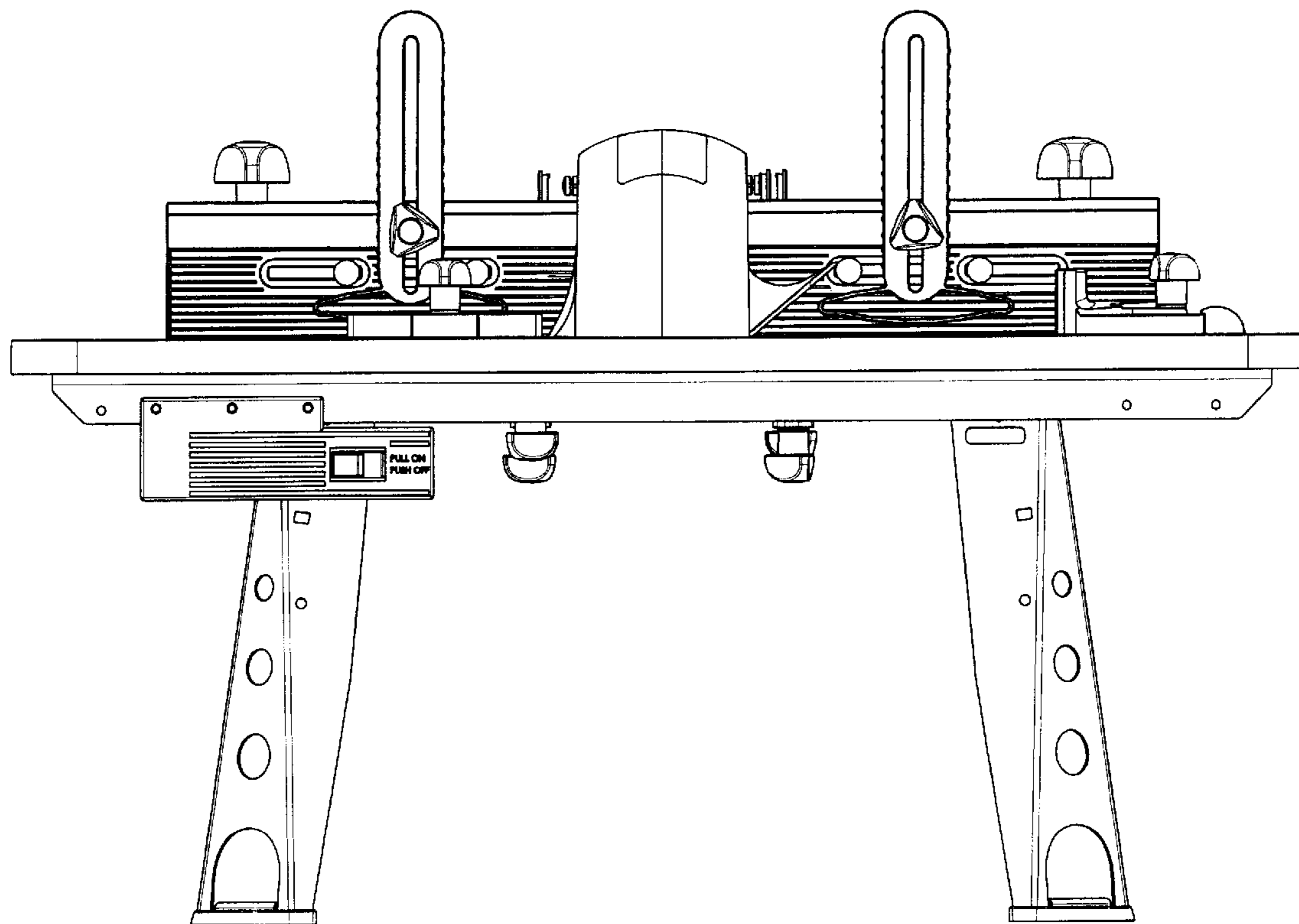


FIG. 1

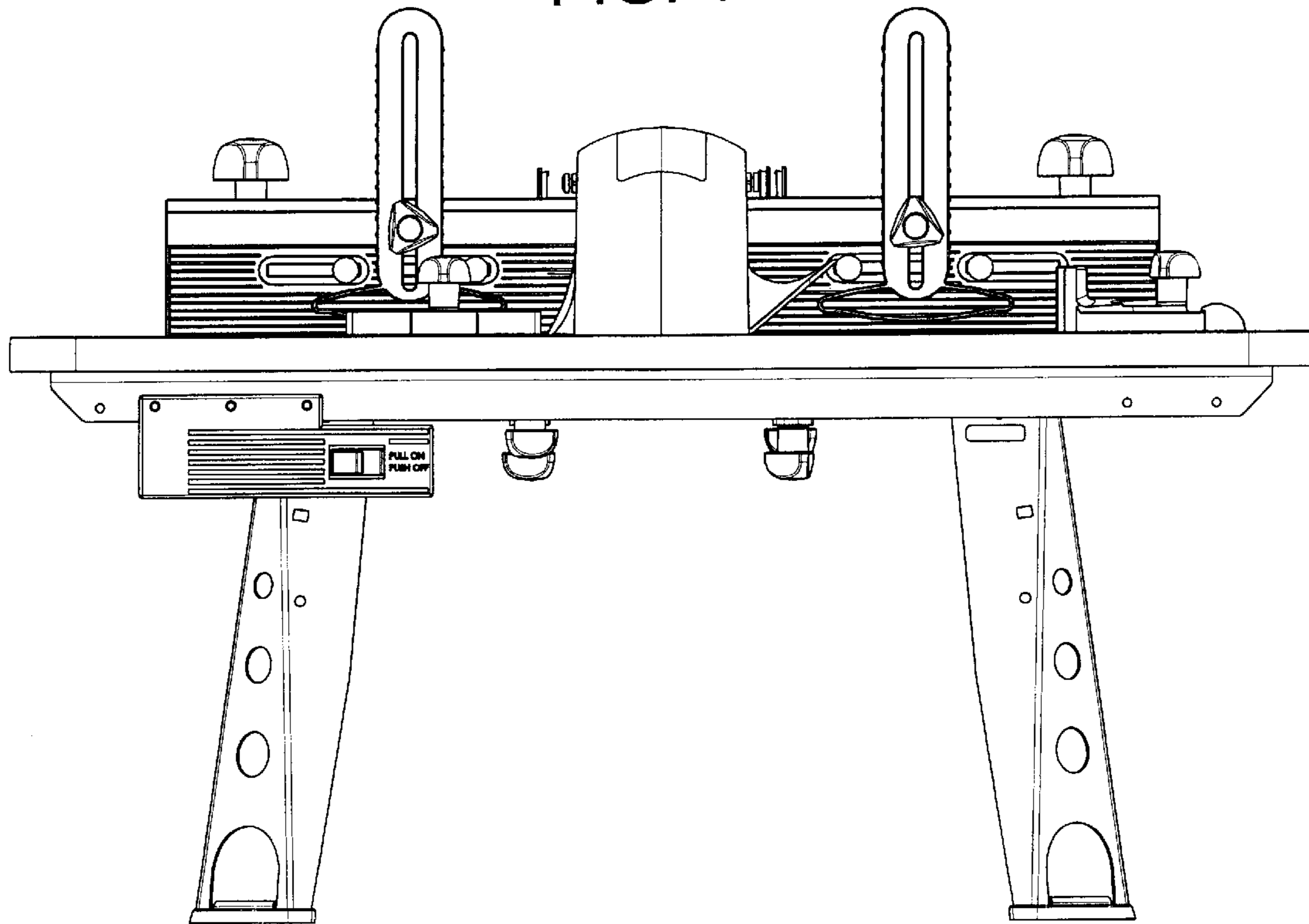


FIG. 2

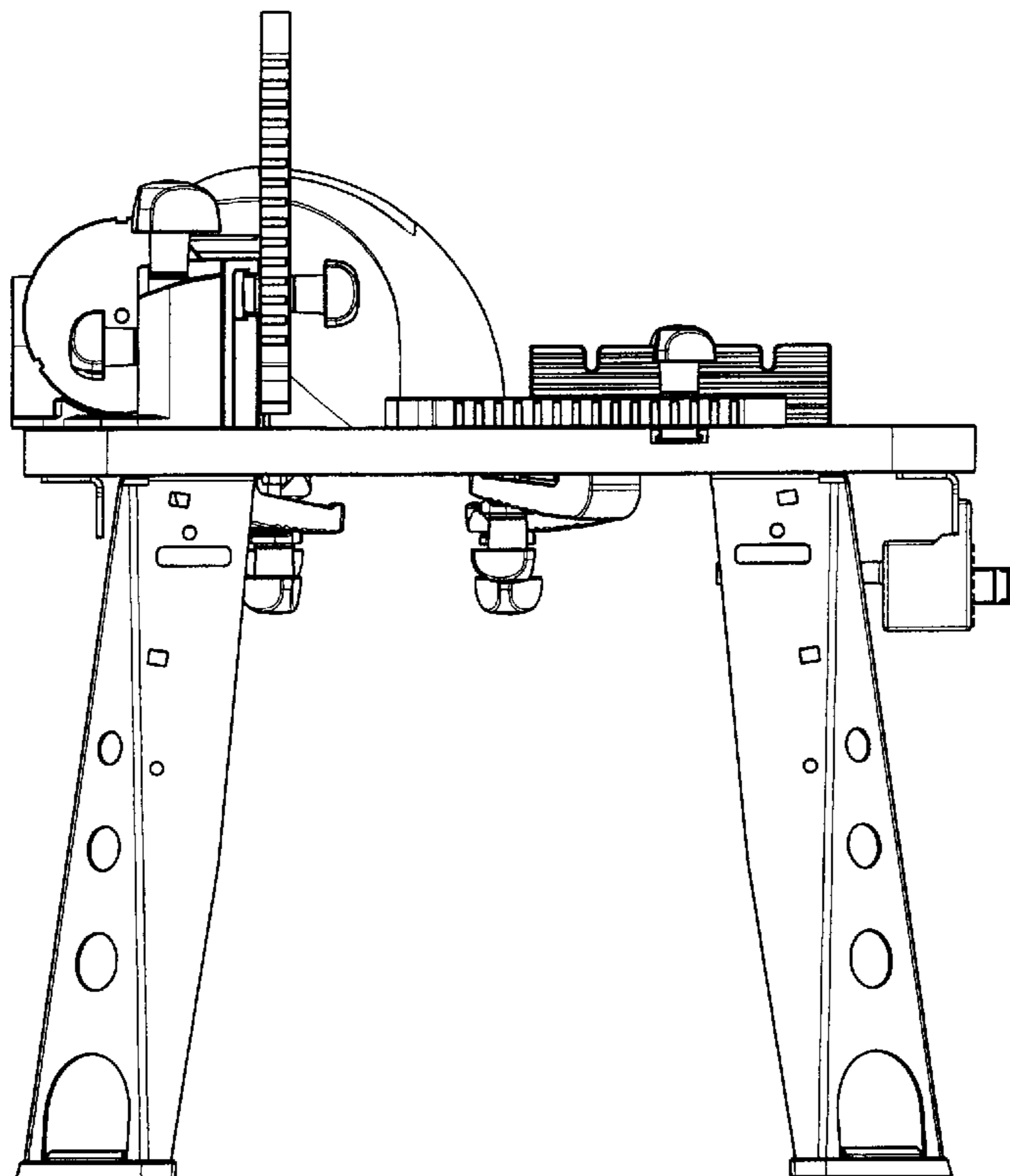


FIG. 3

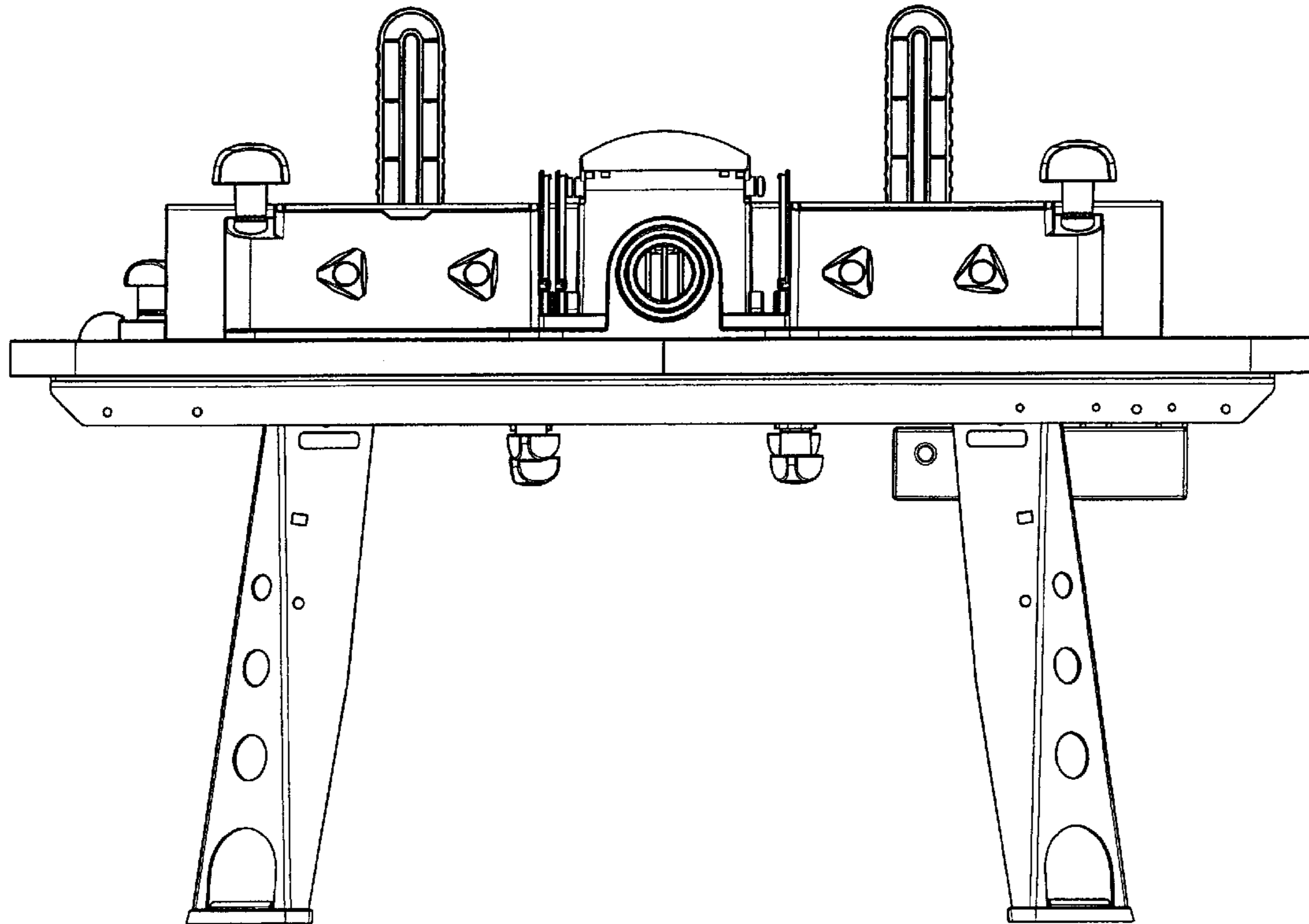


FIG. 4

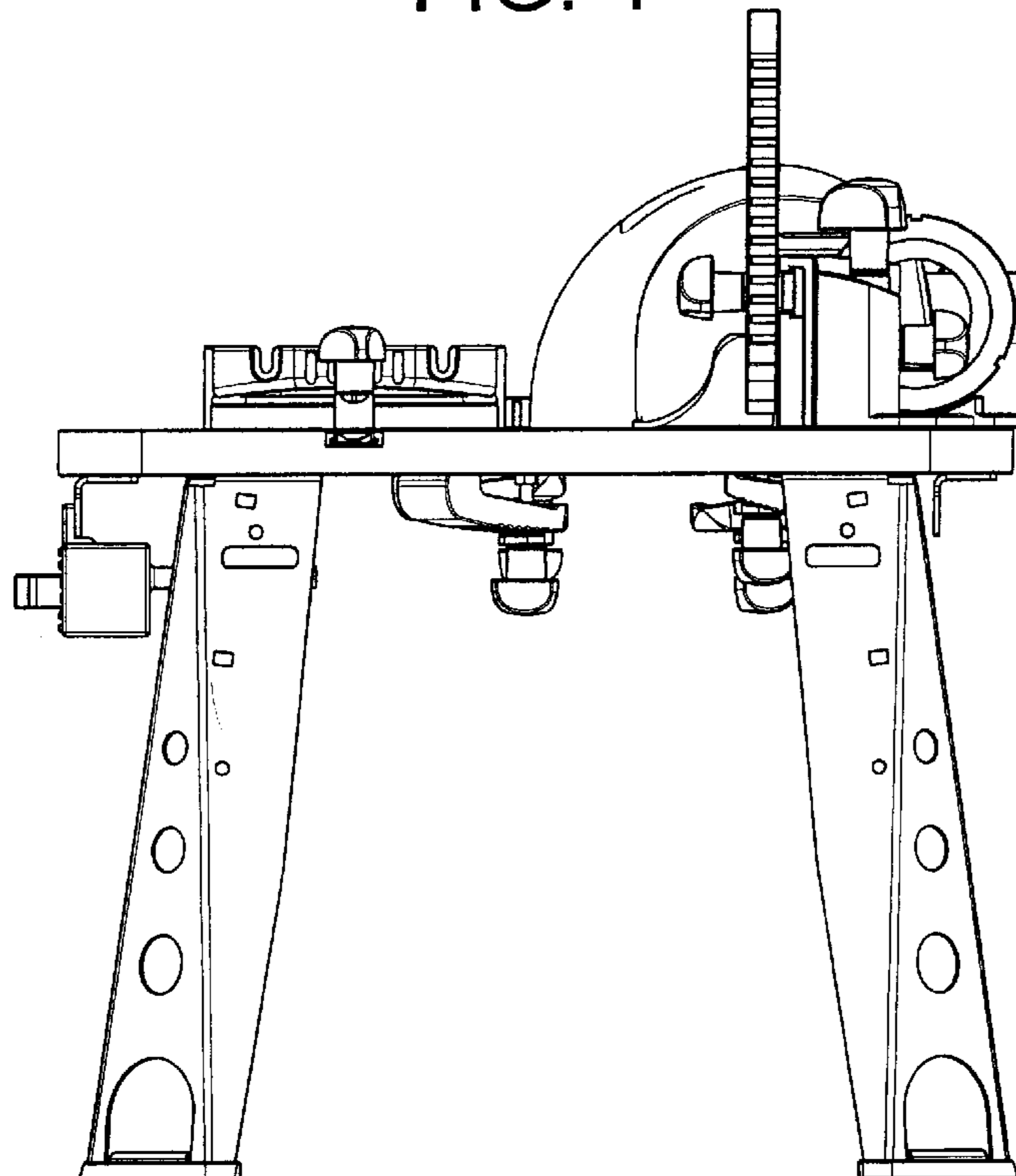


FIG. 5

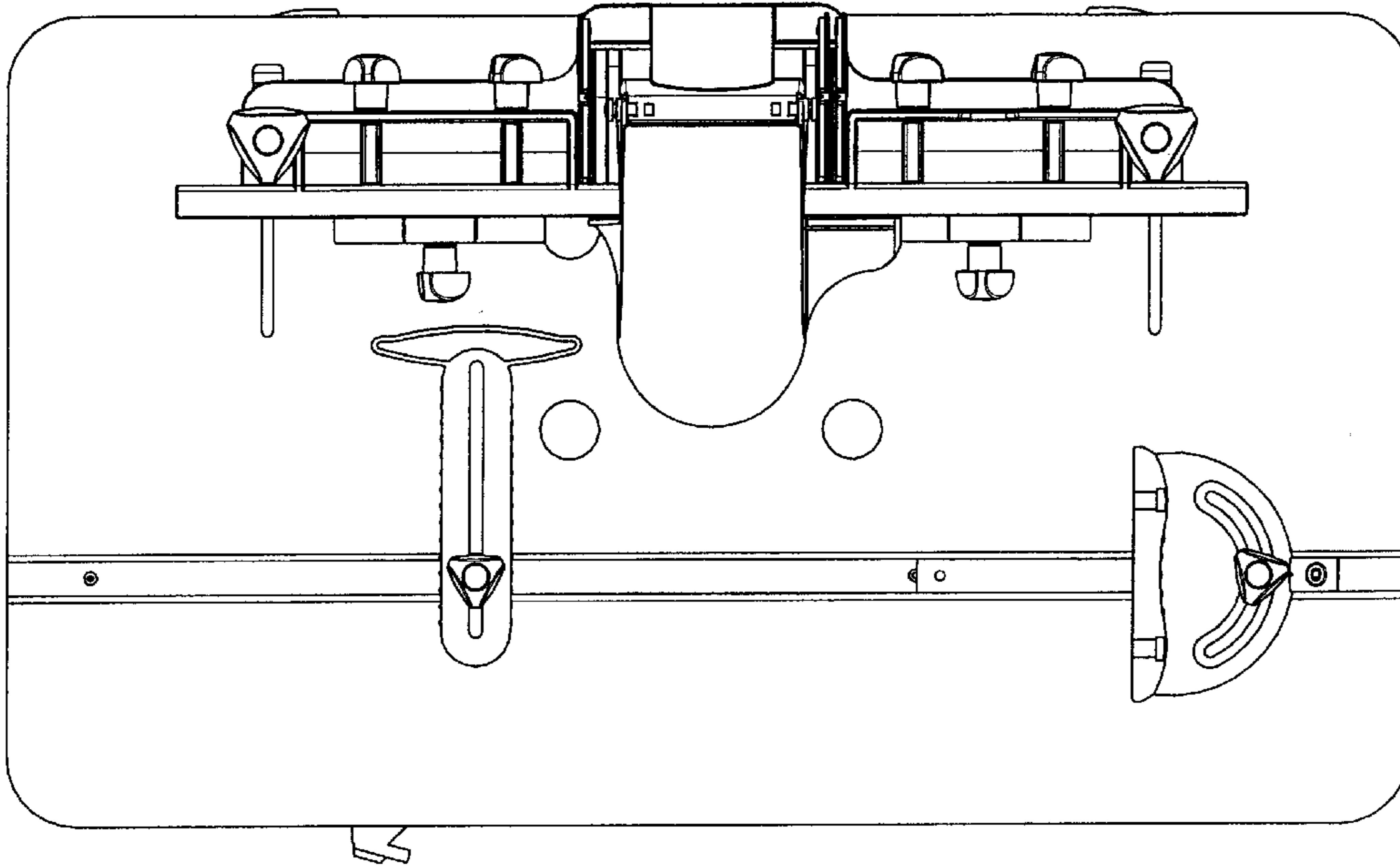


FIG. 6

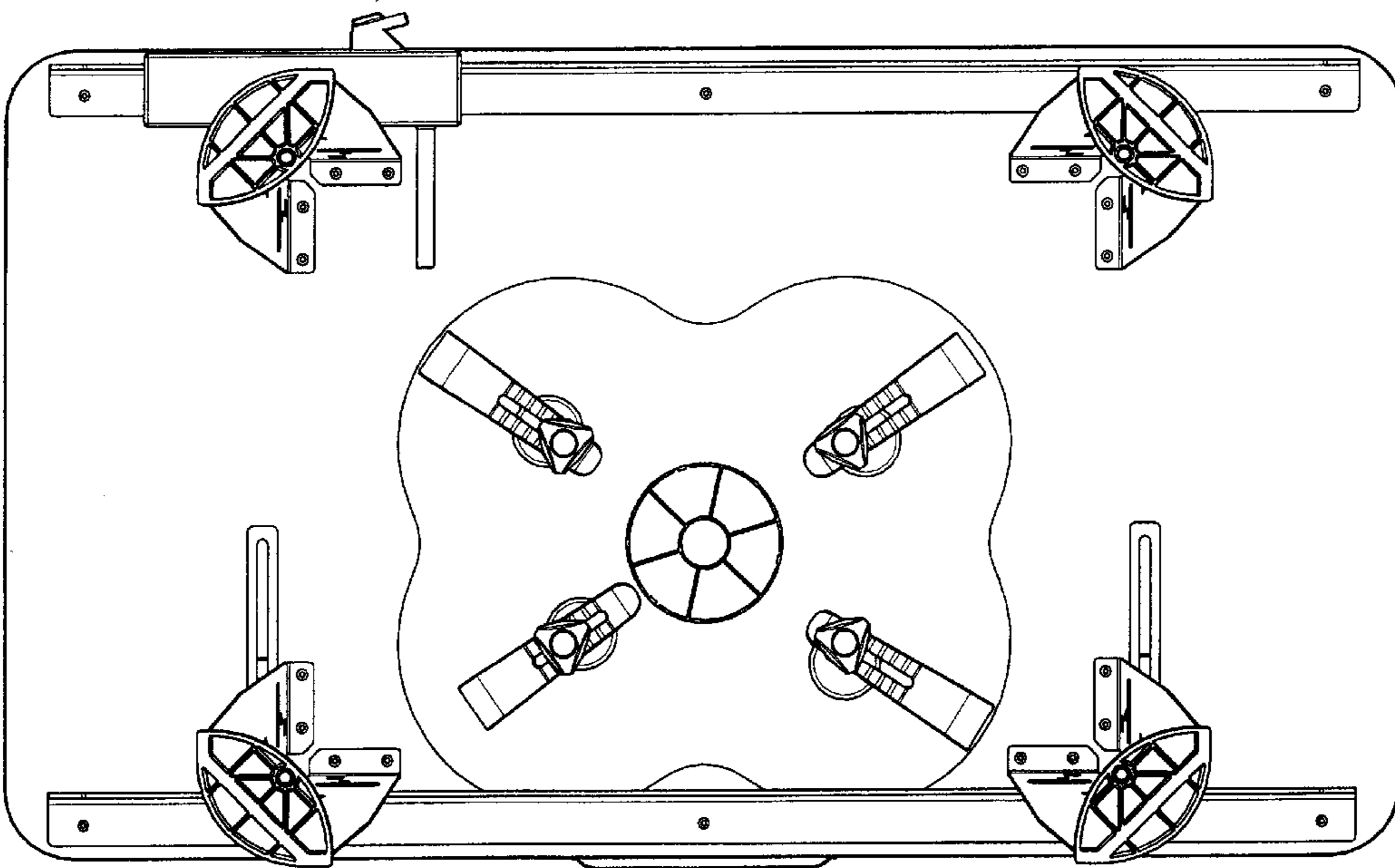


FIG. 7

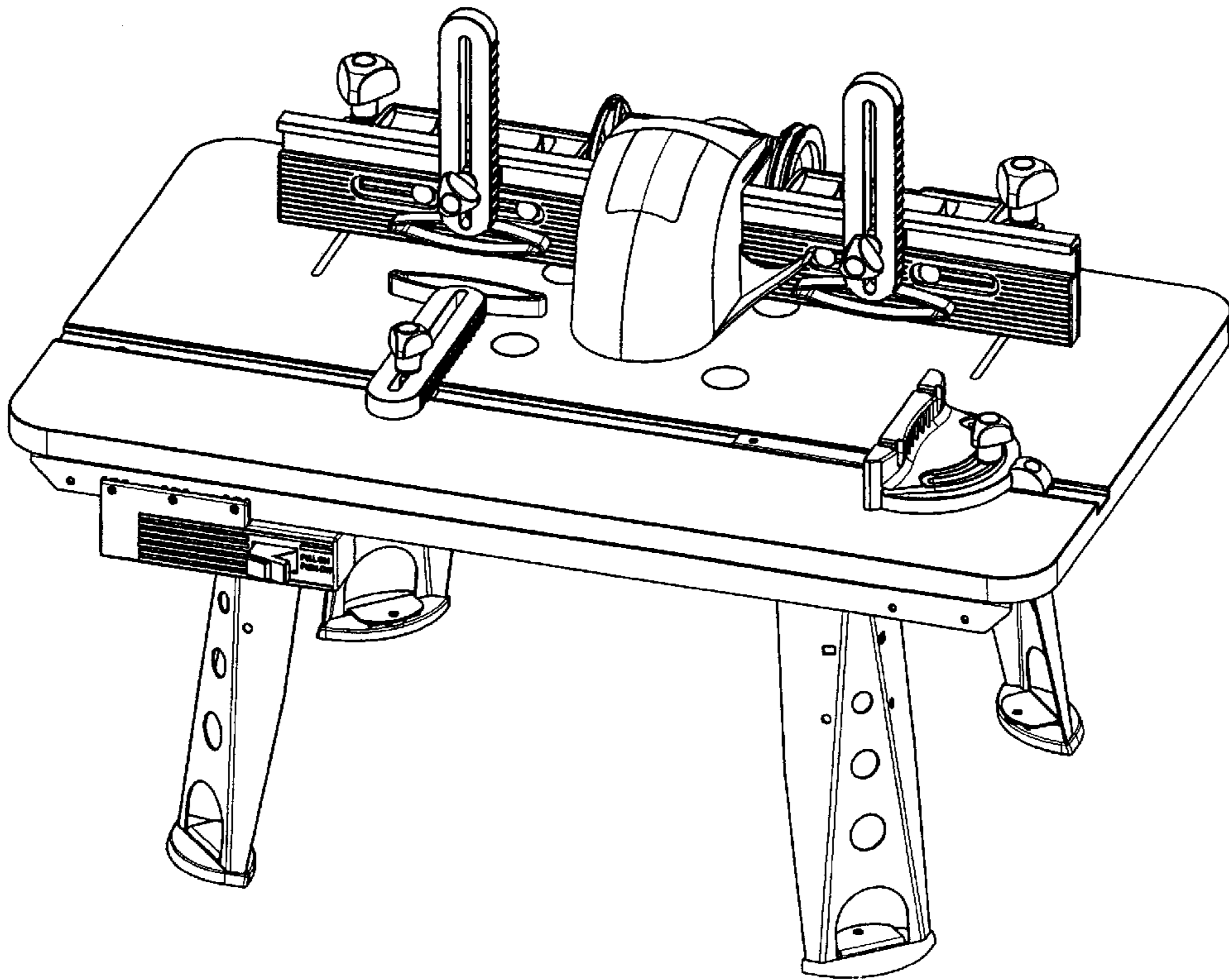


FIG. 8

