

(12) **United States Design Patent** (10) **Patent No.:** **US D509,517 S**  
**Quantz et al.** (45) **Date of Patent:** **\*\* Sep. 13, 2005**

(54) **HOUSING FOR A HIGH SPEED NUTCRACKING APPARATUS HAVING IMPROVED ACCESSIBILITY**

(75) Inventors: **James B. Quantz**, Lexington, SC (US); **Pascal W. Pitts**, Cayce, SC (US); **John L. Feaster**, Columbia, SC (US)

(73) Assignee: **Machine Design Incorporated**, West Columbia, SC (US)

(\*\*) Term: **14 Years**

(21) Appl. No.: **29/204,001**

(22) Filed: **Apr. 22, 2004**

(51) **LOC (8) Cl.** ..... **15-09**

(52) **U.S. Cl.** ..... **D15/123**

(58) **Field of Search** ..... D15/123; 99/568-583; 198/622; 30/120.1-120.5; 426/481-482

(56) **References Cited**

**U.S. PATENT DOCUMENTS**

3,662,799 A	*	5/1972	Shaw	99/574
5,623,867 A		4/1997	Quantz	
6,270,824 B1		8/2001	Quantz	

\* cited by examiner

*Primary Examiner*—Antoine D. Davis

(74) *Attorney, Agent, or Firm*—Alston & Bird LLP

(57) **CLAIM**

The ornamental design for a housing for a high speed nutcracking apparatus having improved accessibility, as shown and described.

**DESCRIPTION**

FIG. 1 is a perspective view of a first embodiment of a housing for a high speed nutcracking apparatus which embodies the present invention;

FIG. 2 is a side elevational view of the opposite side of the housing shown in FIG. 1;

FIG. 3 is a top plan view of the housing shown in FIG. 1;

FIG. 4 is a front elevation view of the housing shown in FIG. 1;

FIG. 5 is a rear elevation view of the housing shown in FIG. 1;

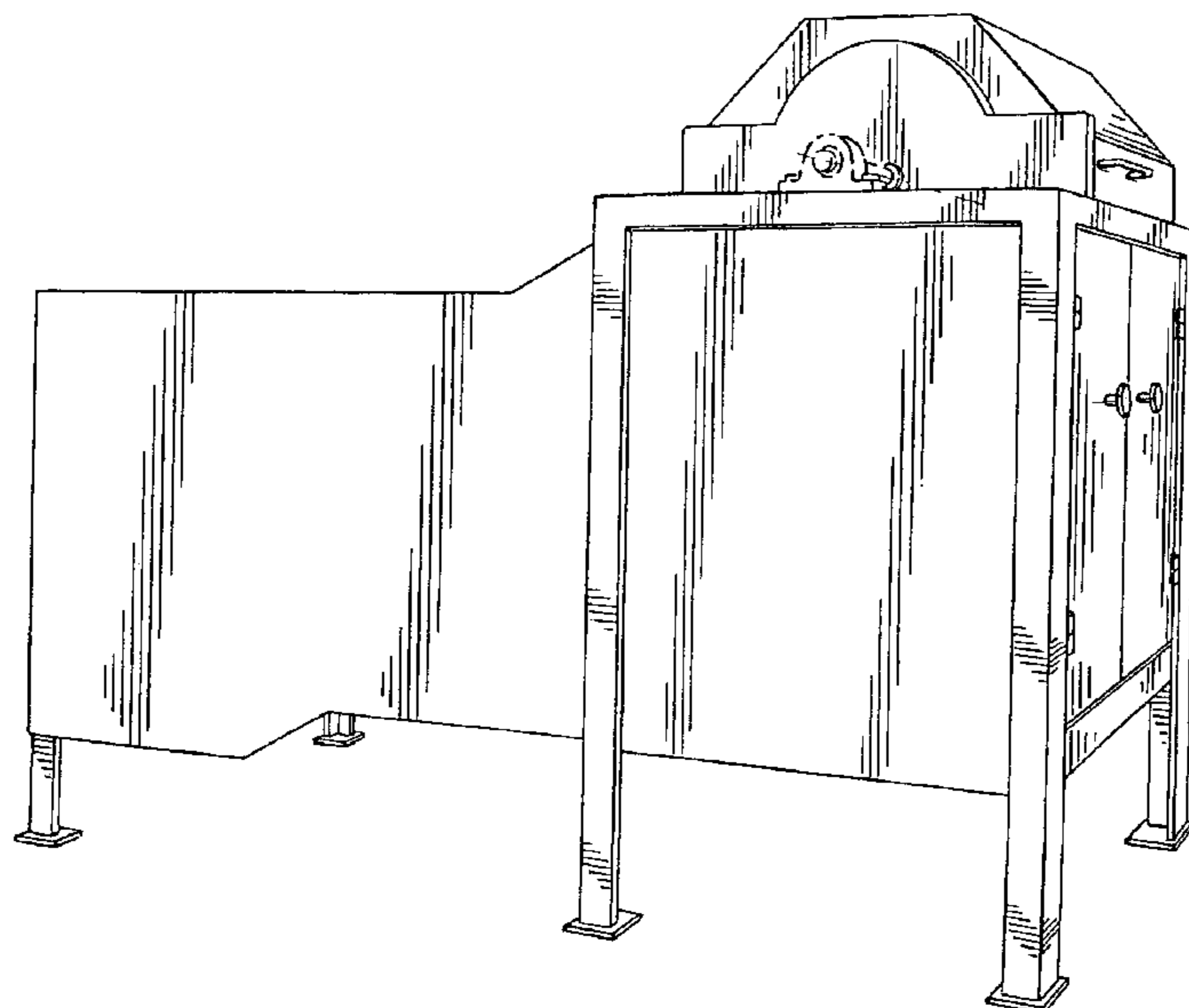
FIGS. 6 and 7 are each front perspective views of the housing shown in FIGS. 1-5, with the top cover and front doors in opened positions;

FIG. 8 is a front perspective view of a second embodiment of a housing for a high speed nutcracking apparatus which embodies the present invention, the only difference from the embodiment of FIGS. 1-7 being the configuration of the surface of the illustrated side of the apparatus, it being understood that all other surfaces are the same as those of the first embodiment; and,

FIG. 9 is a front perspective view of a third embodiment of a housing for a high speed nutcracking apparatus which embodies the present invention, the only difference from the embodiments of FIGS. 1-7 and FIG. 8 being the configuration of the surface of the illustrated side of the apparatus, it being understood that all other surfaces are the same as those of the first and second embodiments.

The broken lines shown in the drawings are for illustrative purposes only and form no part of the claimed design.

**1 Claim, 6 Drawing Sheets**



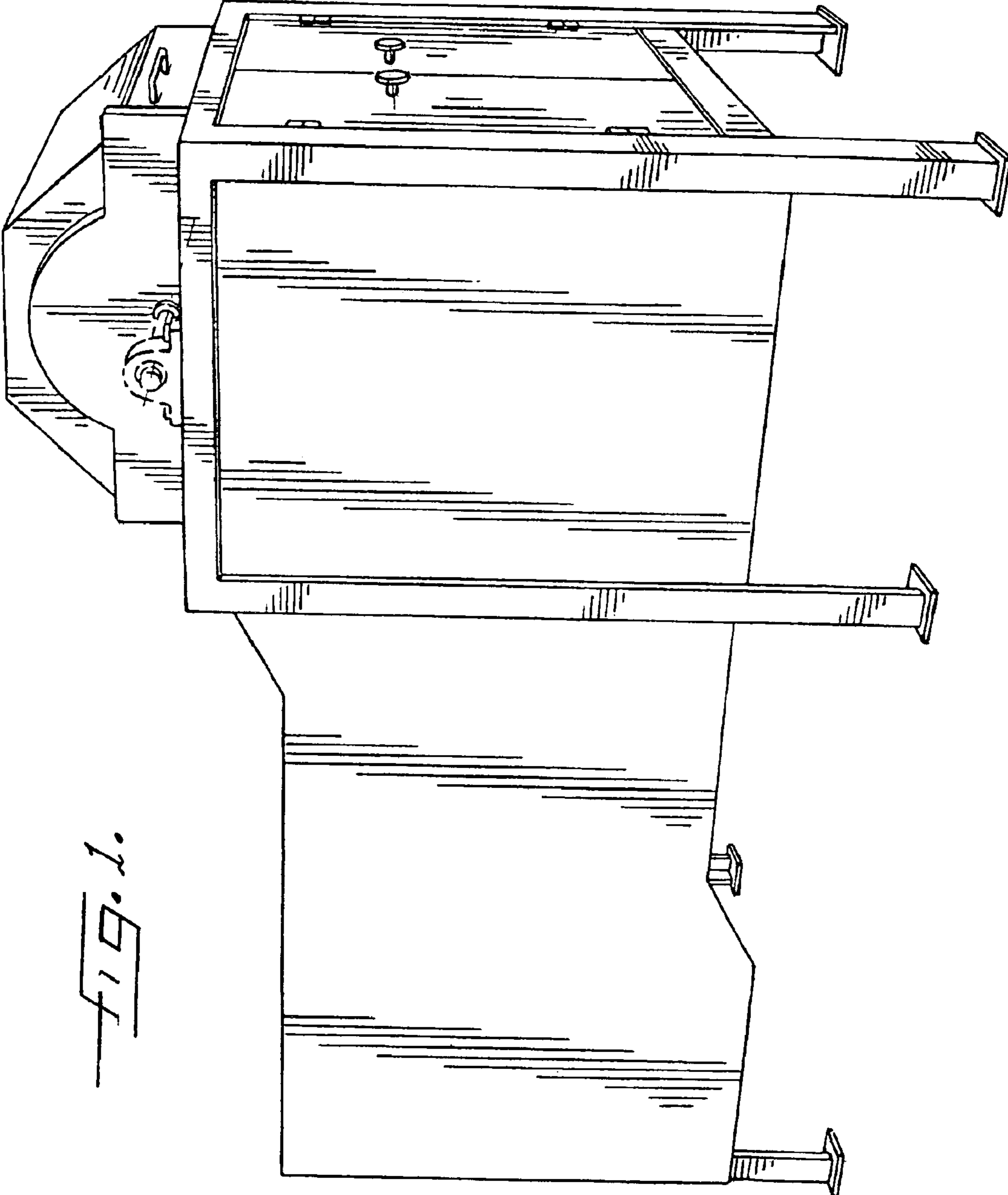


FIG. 1

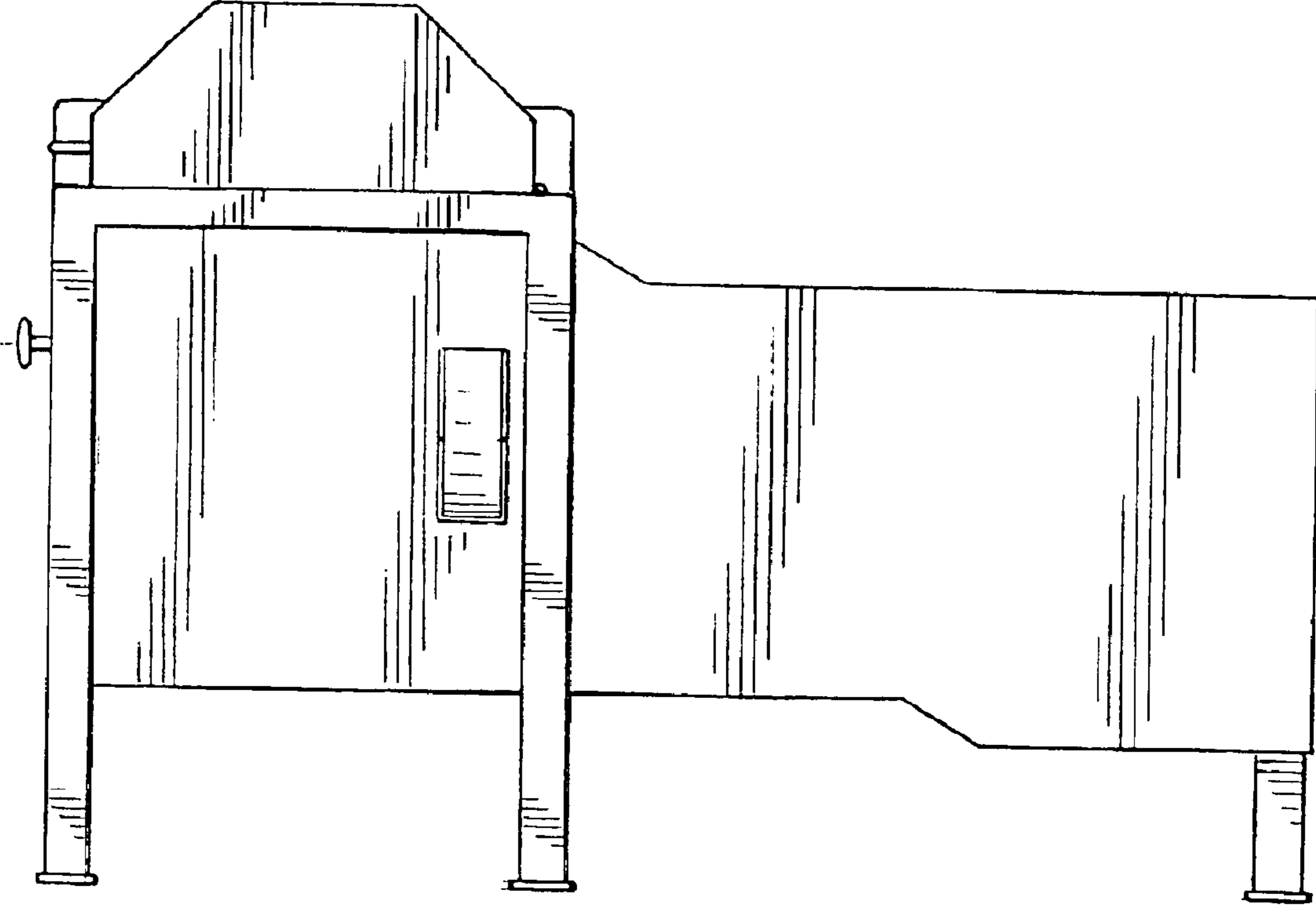


FIG. 2.

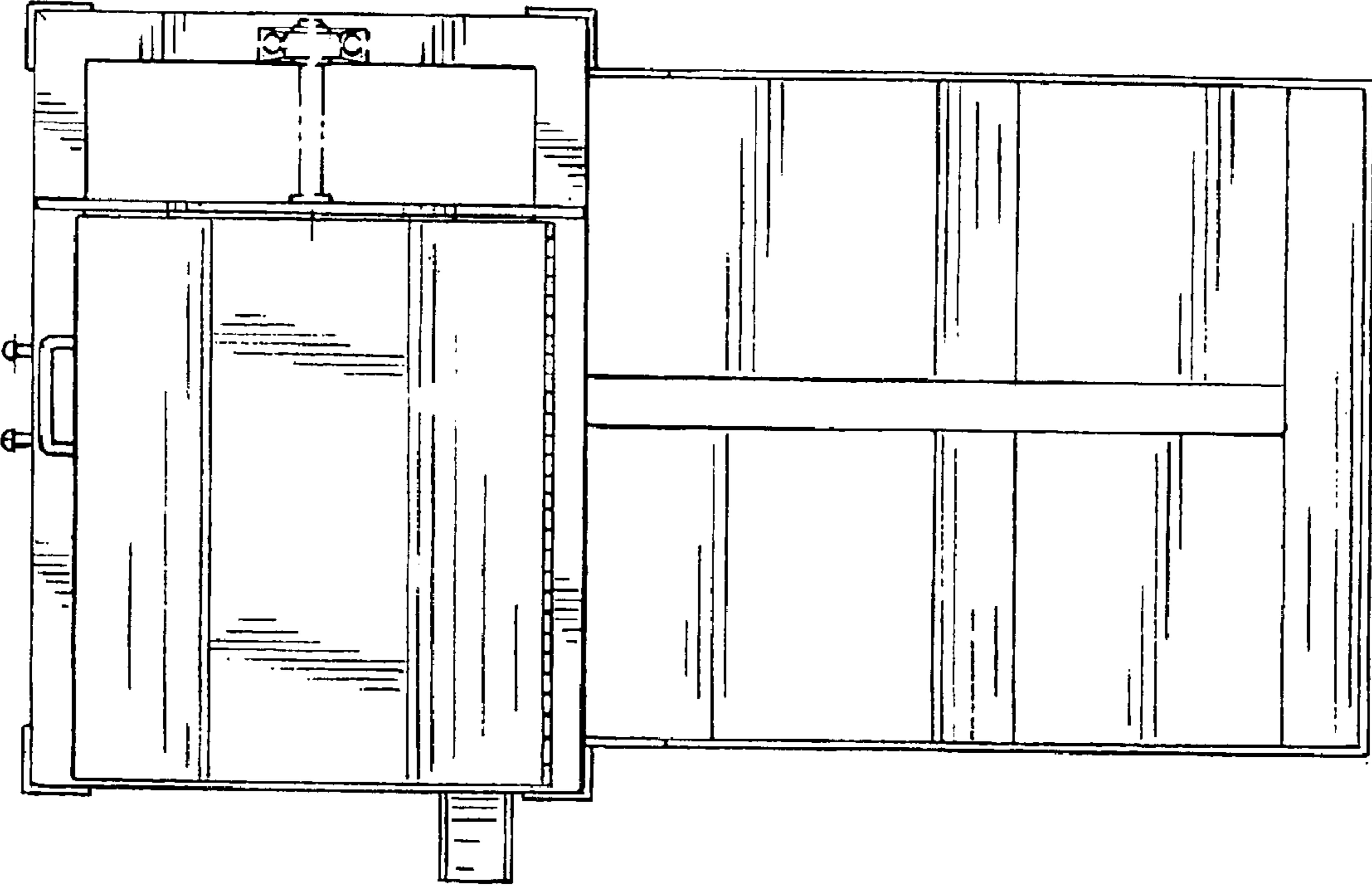


FIG. 3.

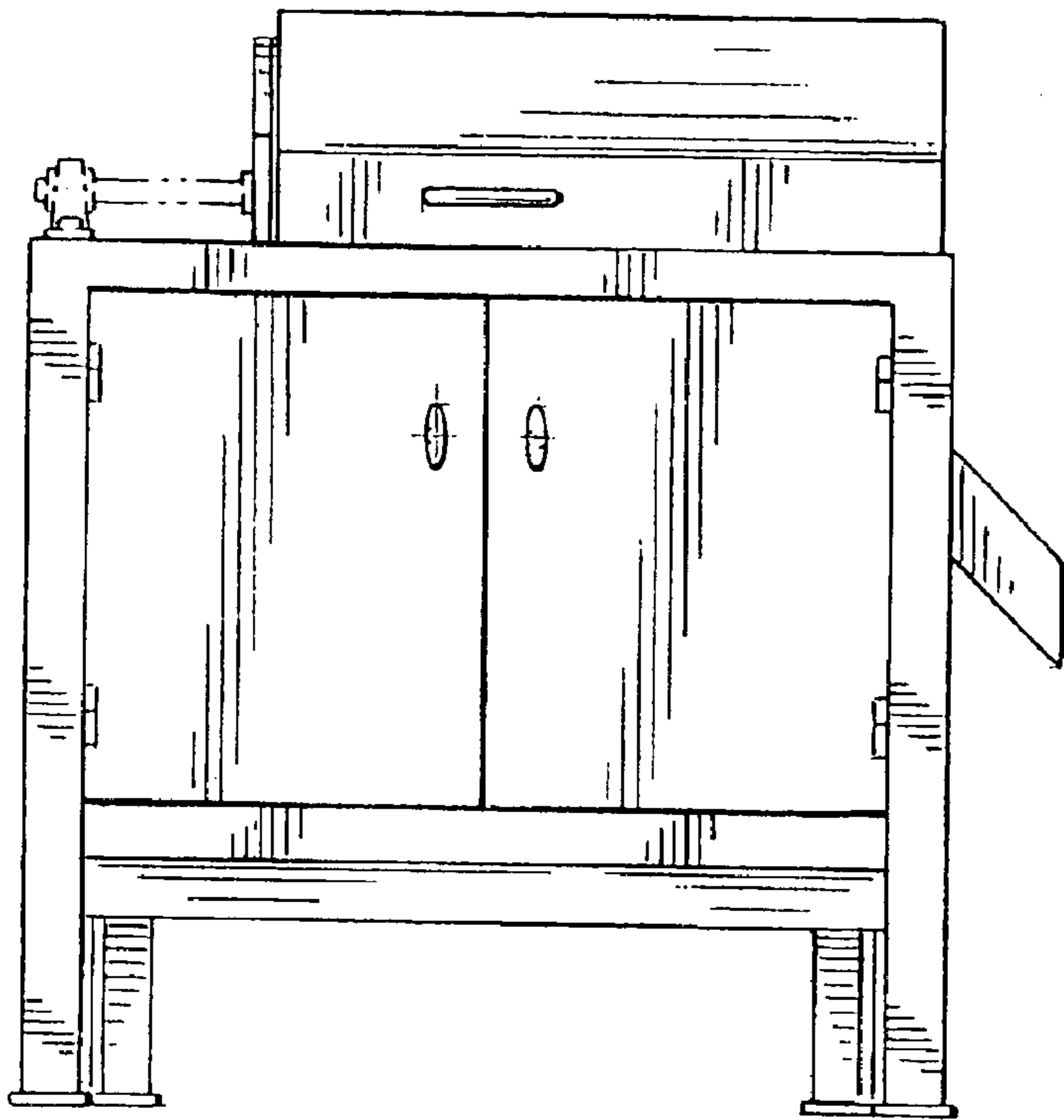


FIG. 4.

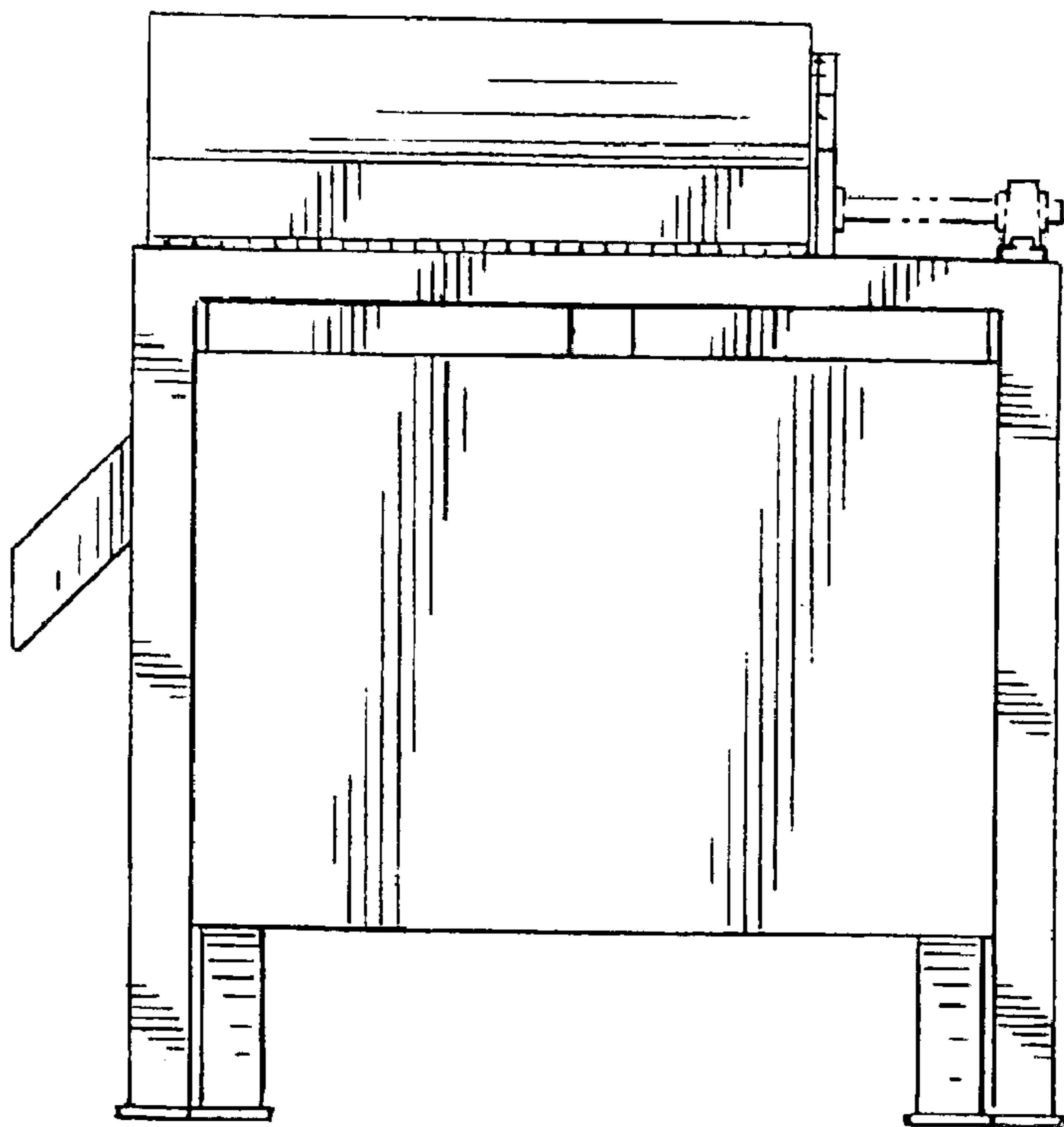
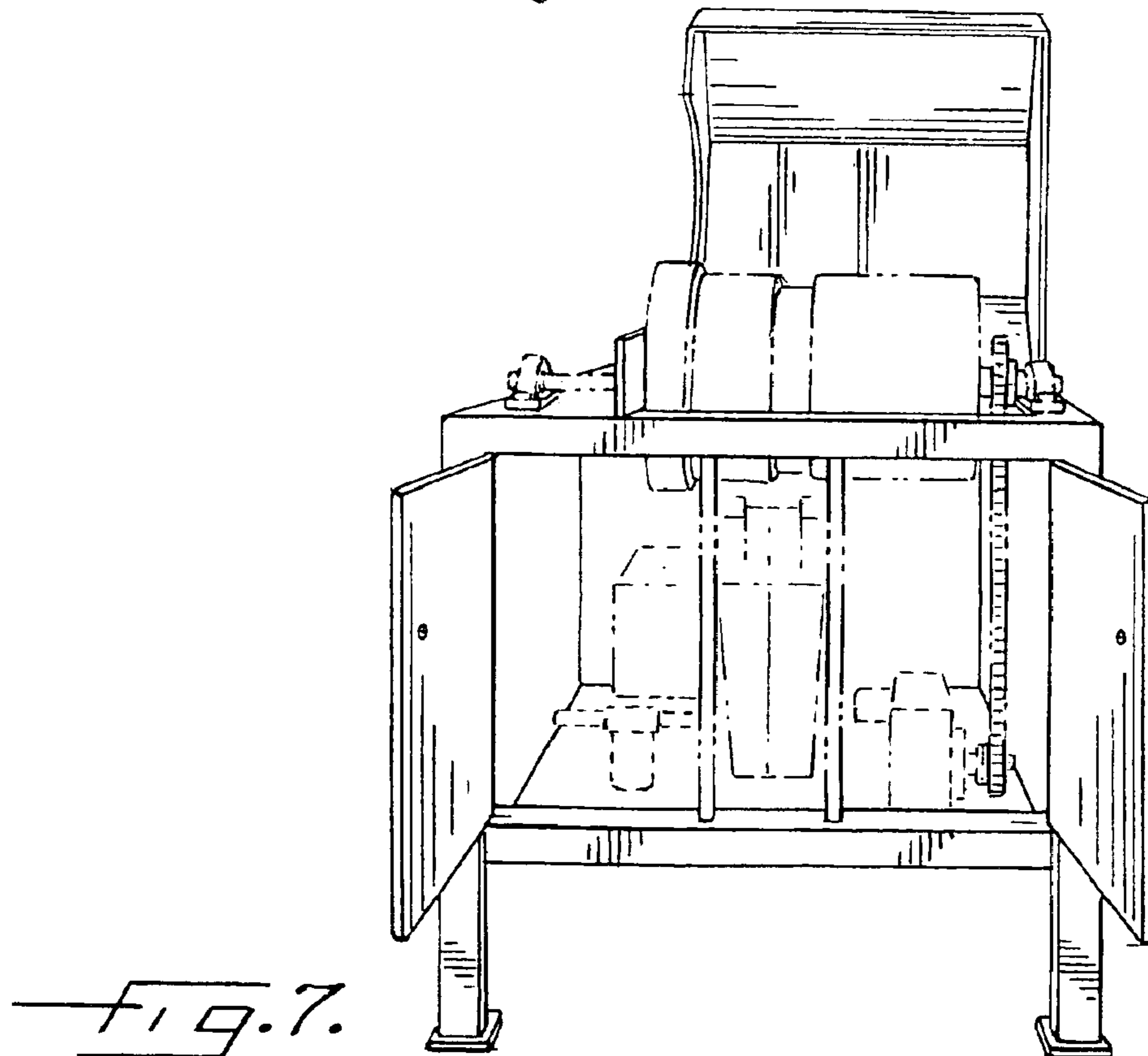
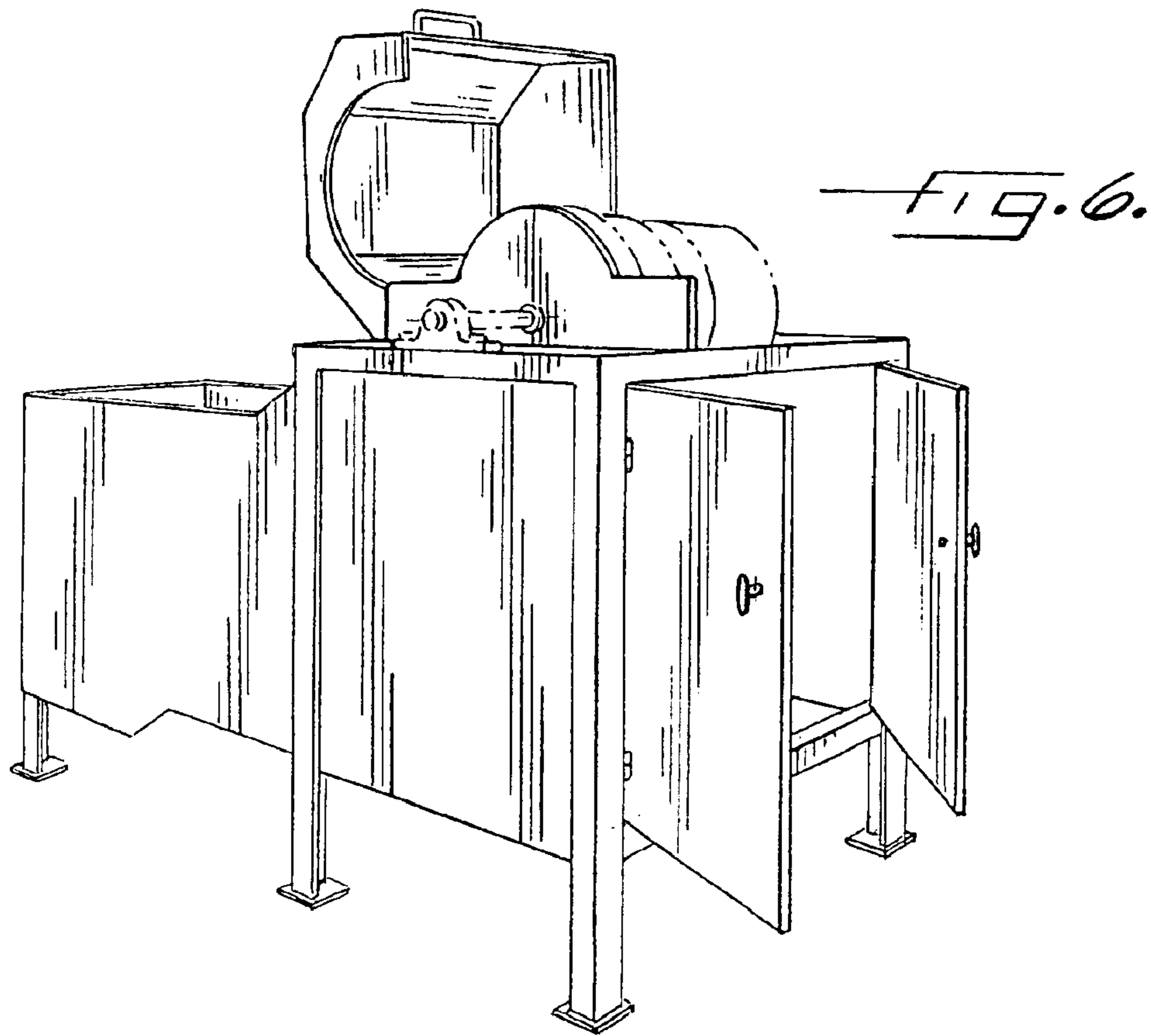


FIG. 5.



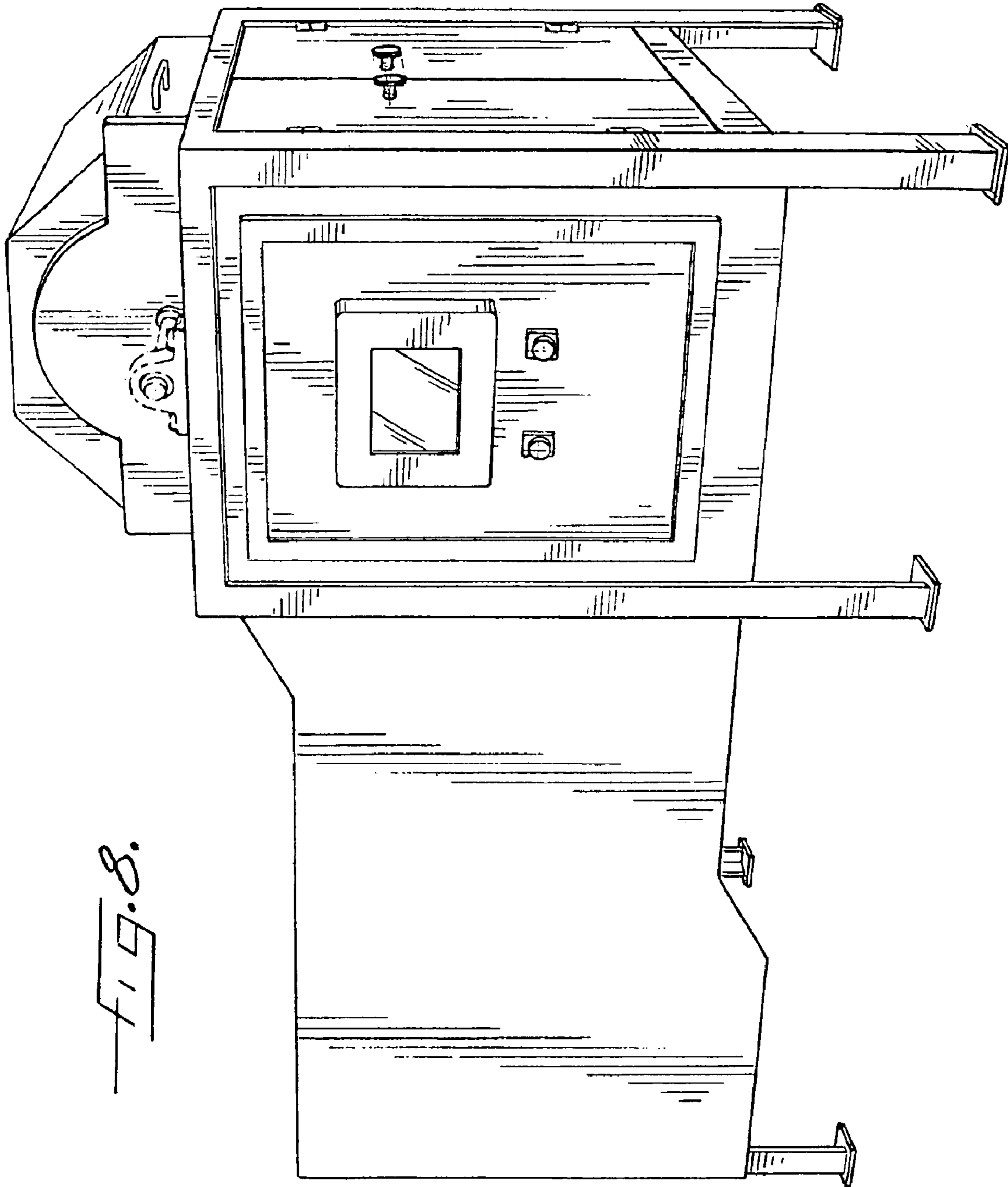


FIG. 8.

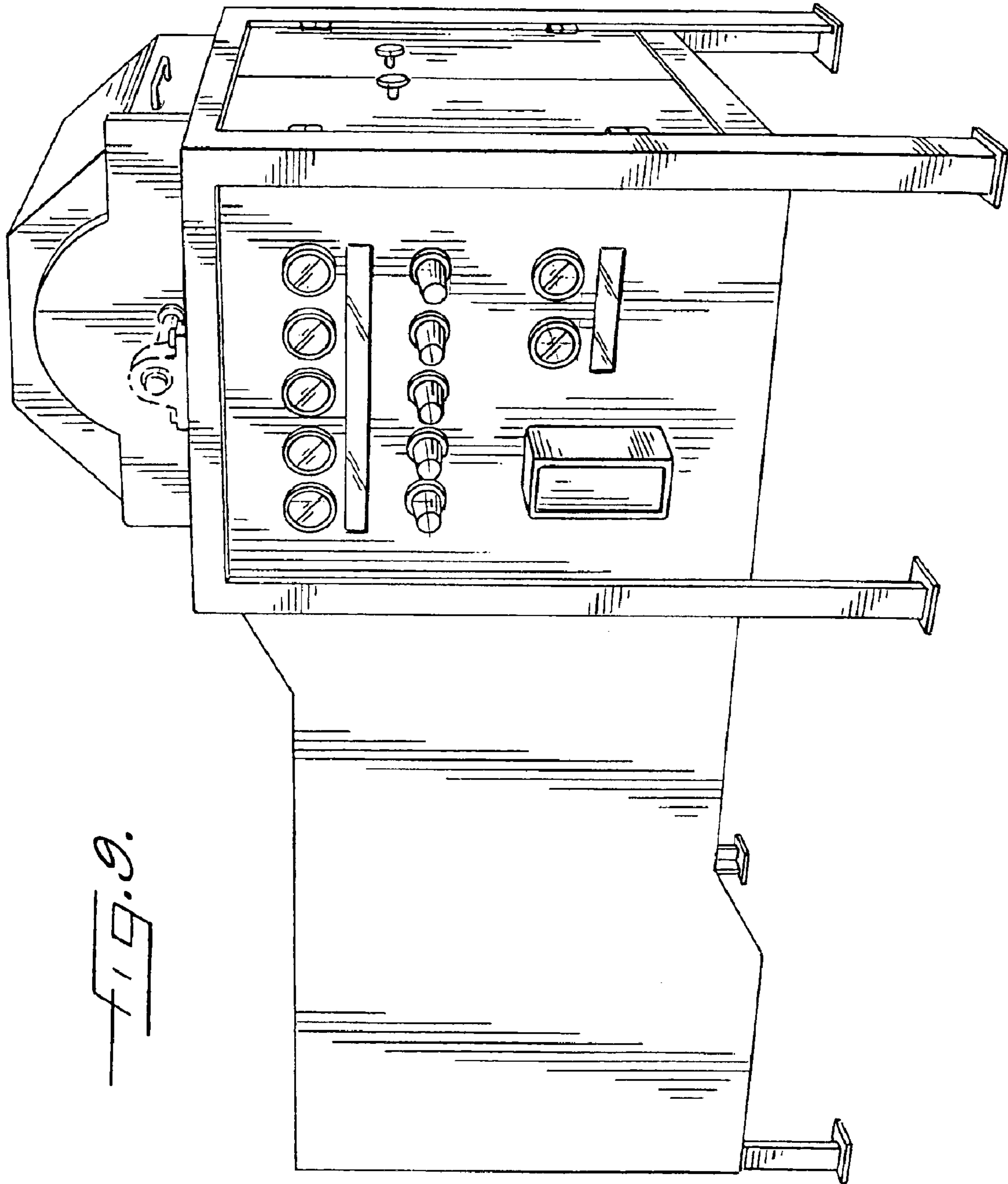


FIG. 9.