

US00D509516S

(12) **United States Design Patent**
Kuroki

(10) **Patent No.:** **US D509,516 S**

(45) **Date of Patent:** **** Sep. 13, 2005**

(54) **SEWING MACHINE**

(75) **Inventor:** **Nobufusa Kuroki, Tokyo (JP)**

(73) **Assignee:** **Janome Sewing Machine Company Limited, Tokyo (JP)**

(**) **Term:** **14 Years**

(21) **Appl. No.:** **29/210,740**

(22) **Filed:** **Aug. 6, 2004**

(30) **Foreign Application Priority Data**

Apr. 23, 2004 (JP) 2004-012381

(51) **LOC (8) Cl.** **15-07**

(52) **U.S. Cl.** **D15/70; D15/69**

(58) **Field of Search** **D15/66, 69, 70; 112/154, 444, 217.1, 217.2, 217.3, 217.4, 258-260; D21/527**

(56) **References Cited**

U.S. PATENT DOCUMENTS

- D291,999 S * 9/1987 Yoneda D15/69
- D359,964 S * 7/1995 Nakajima et al. D15/69
- D433,690 S * 11/2000 Kuroki D15/70
- D434,781 S * 12/2000 Kawaguchi D15/69

- D437,329 S * 2/2001 Kuroki D15/69
- D450,719 S * 11/2001 Kuroki et al. D15/69
- D450,720 S * 11/2001 Kuroki D15/69
- D460,765 S * 7/2002 Kuroki D15/69
- D474,208 S * 5/2003 Kawaguchi D15/69
- D481,739 S * 11/2003 Iwai D15/69
- D483,774 S * 12/2003 Kuroki D15/69

* cited by examiner

Primary Examiner—Stella Reid
Assistant Examiner—Shanda C. Hill
(74) *Attorney, Agent, or Firm*—Jacobson Holman PLLC

(57) **CLAIM**

The ornamental design for a sewing machine, as shown and described.

DESCRIPTION

FIG. 1 is a front perspective view showing my new design for a sewing machine,
FIG. 2 is a top view thereof;
FIG. 3 is a bottom view thereof;
FIG. 4 is a front view thereof;
FIG. 5 is a rear view thereof;
FIG. 6 is a left side view thereof; and,
FIG. 7 is a right side view thereof.

1 Claim, 4 Drawing Sheets

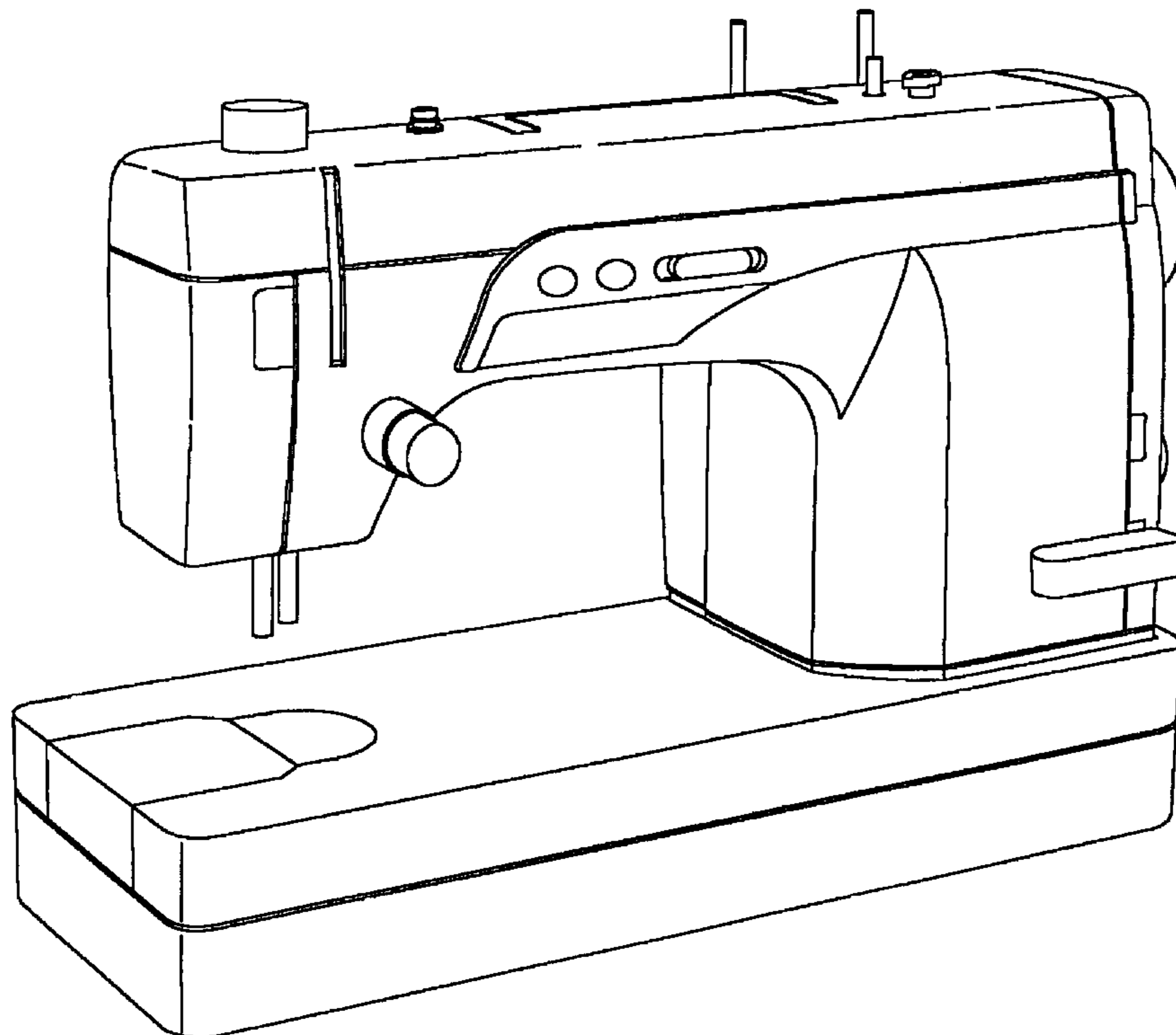


FIG. 1

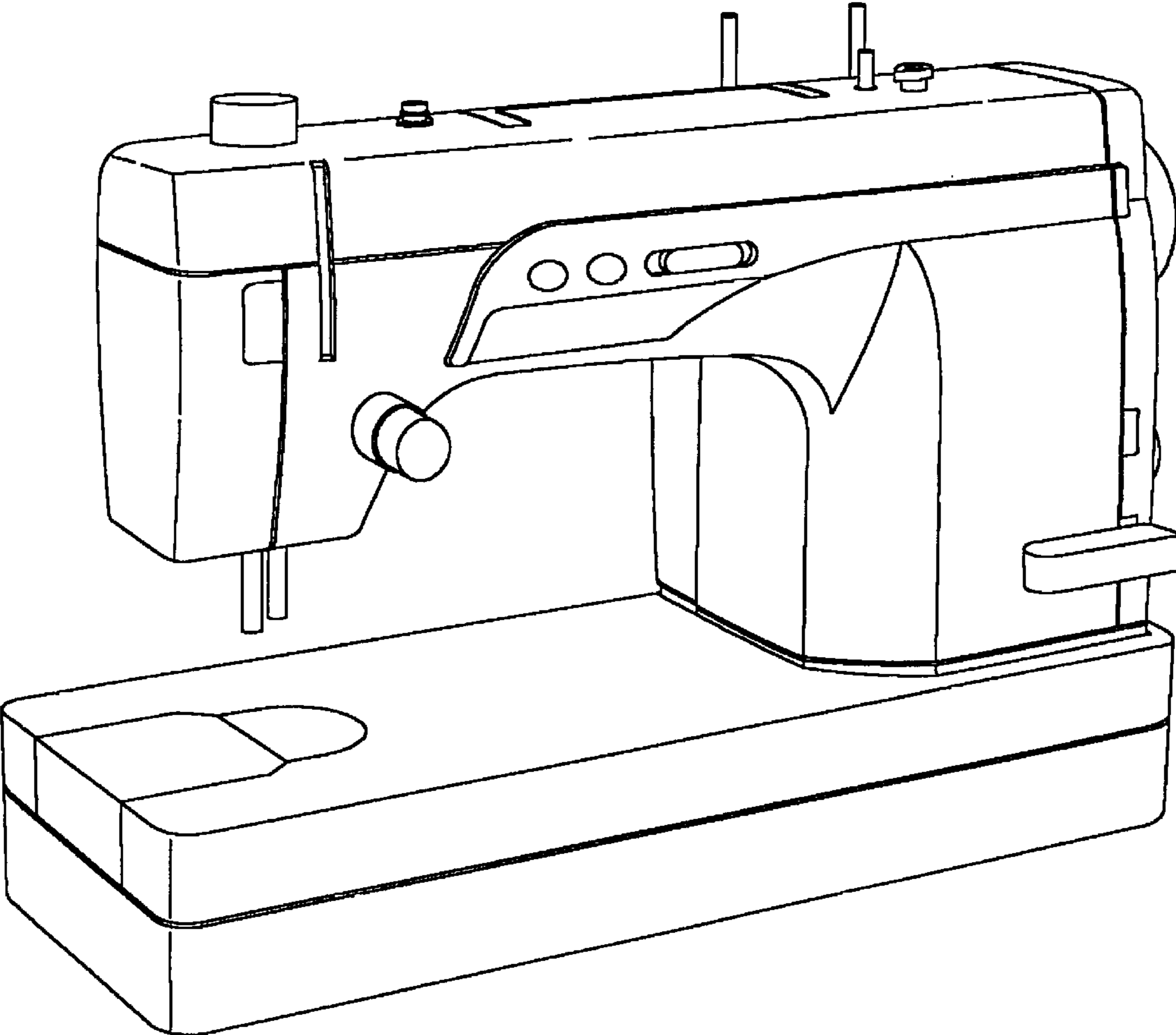


FIG. 2

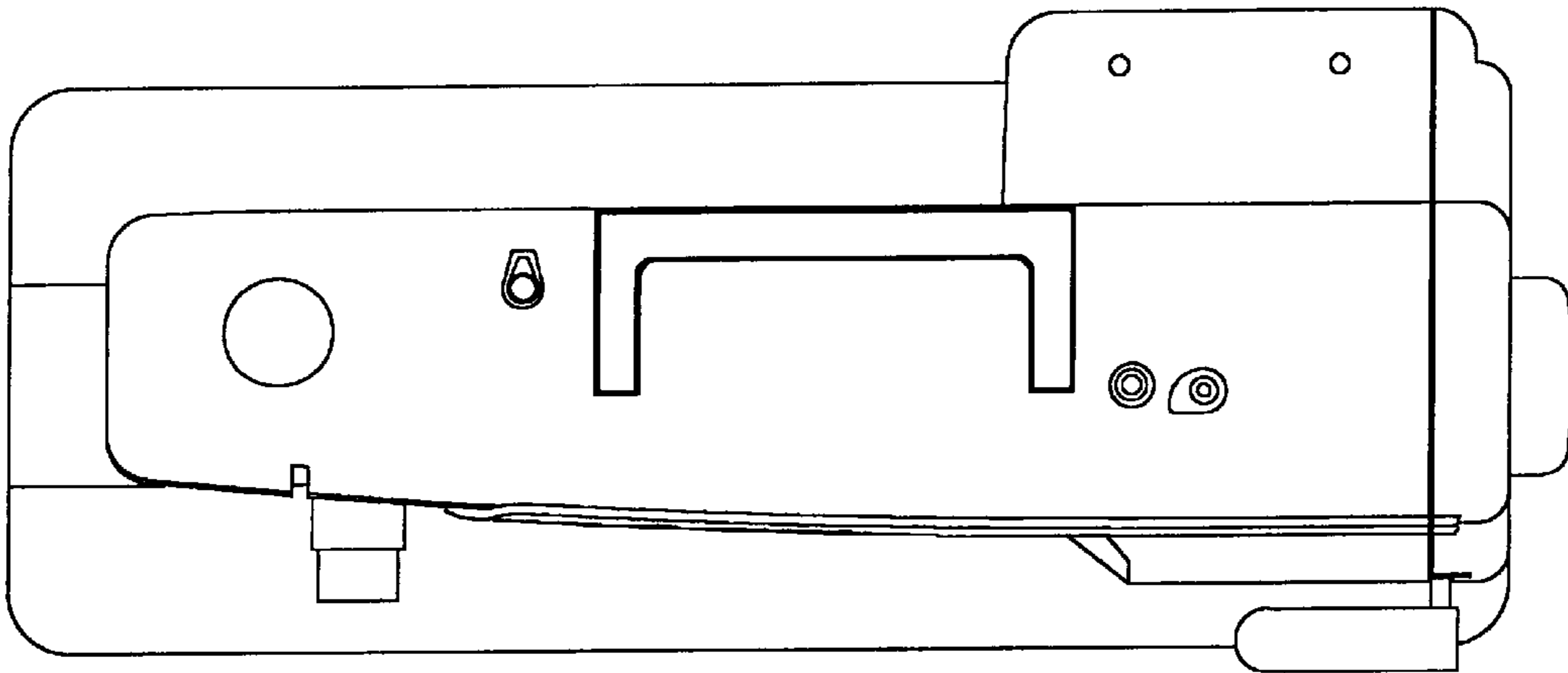


FIG. 3

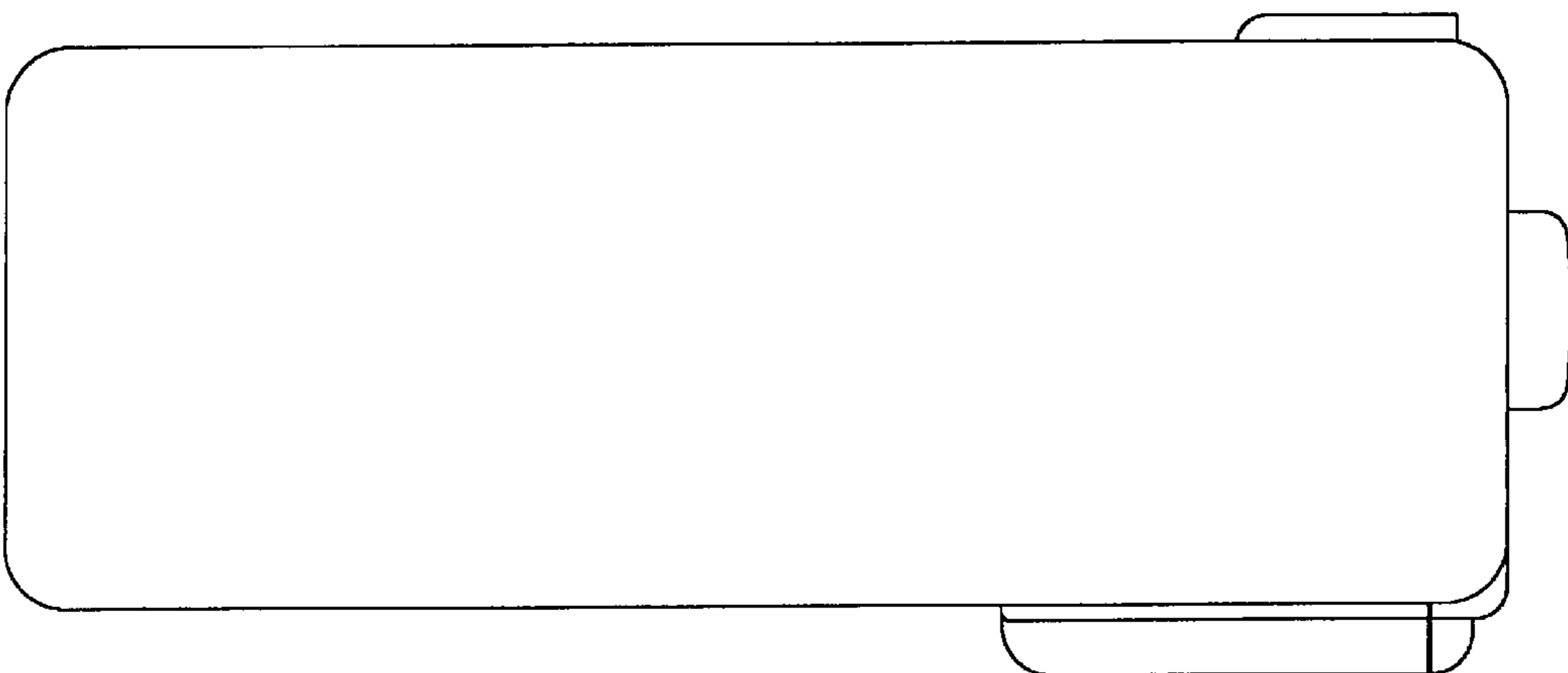


FIG. 4

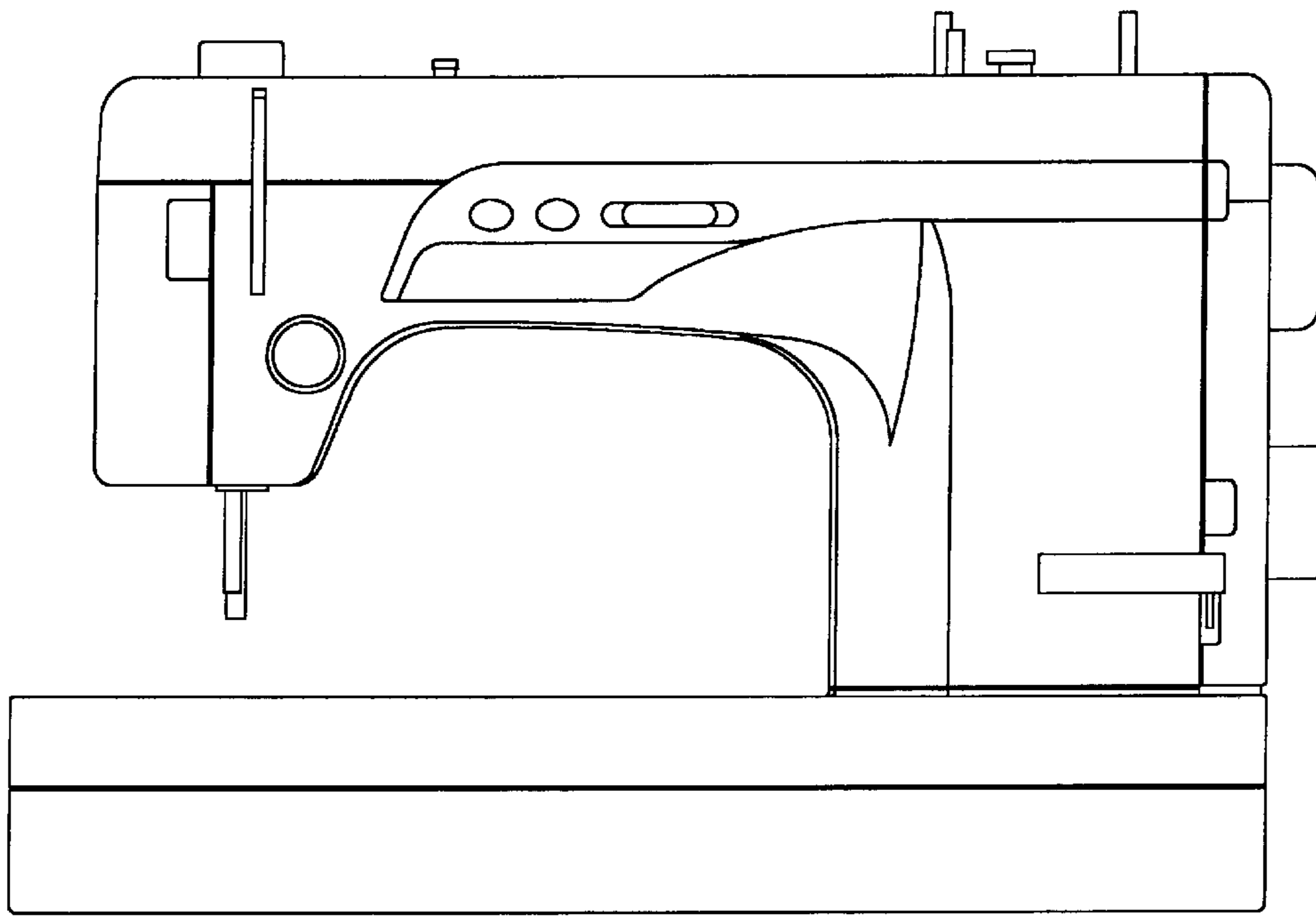


FIG. 5

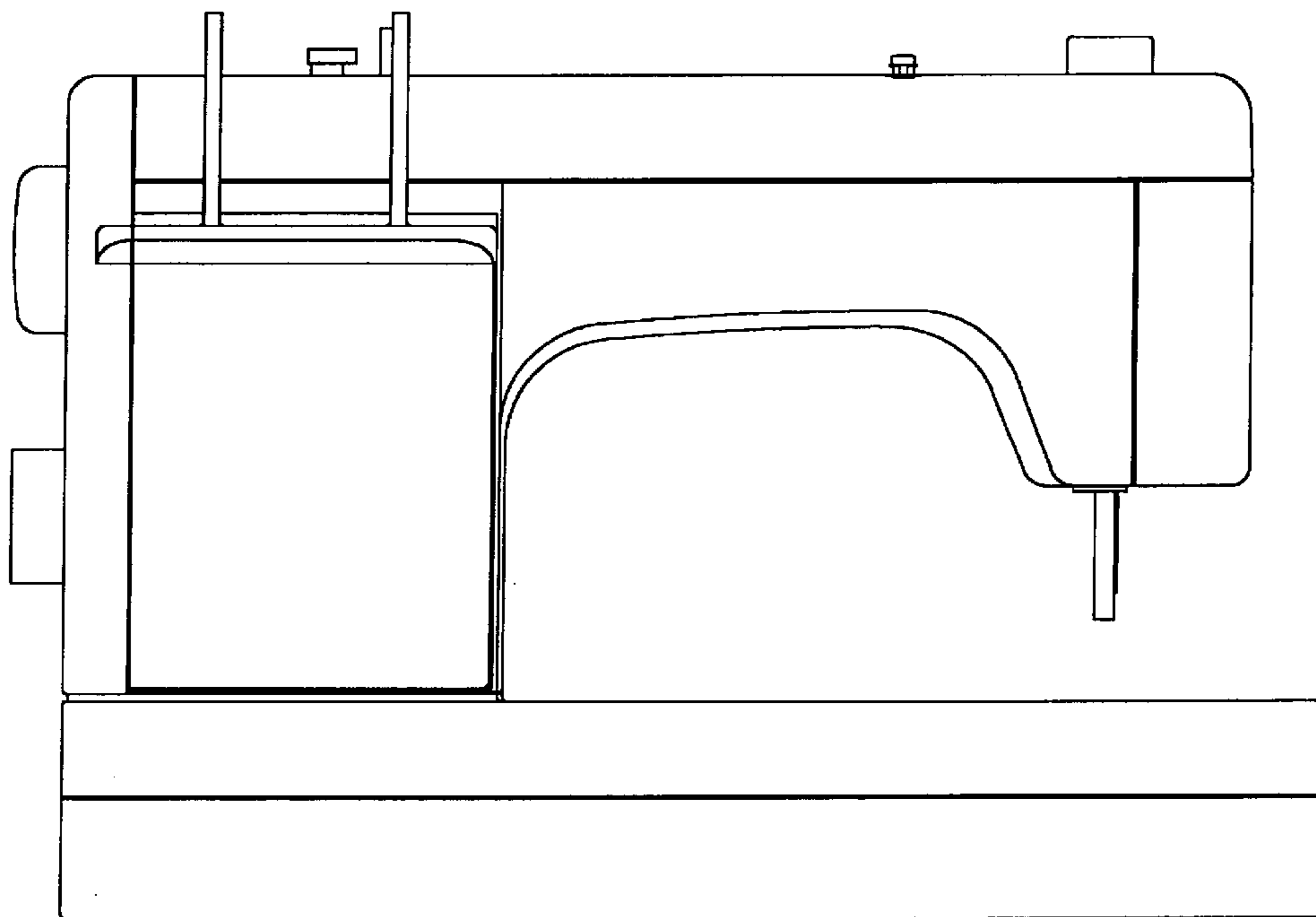


FIG. 6

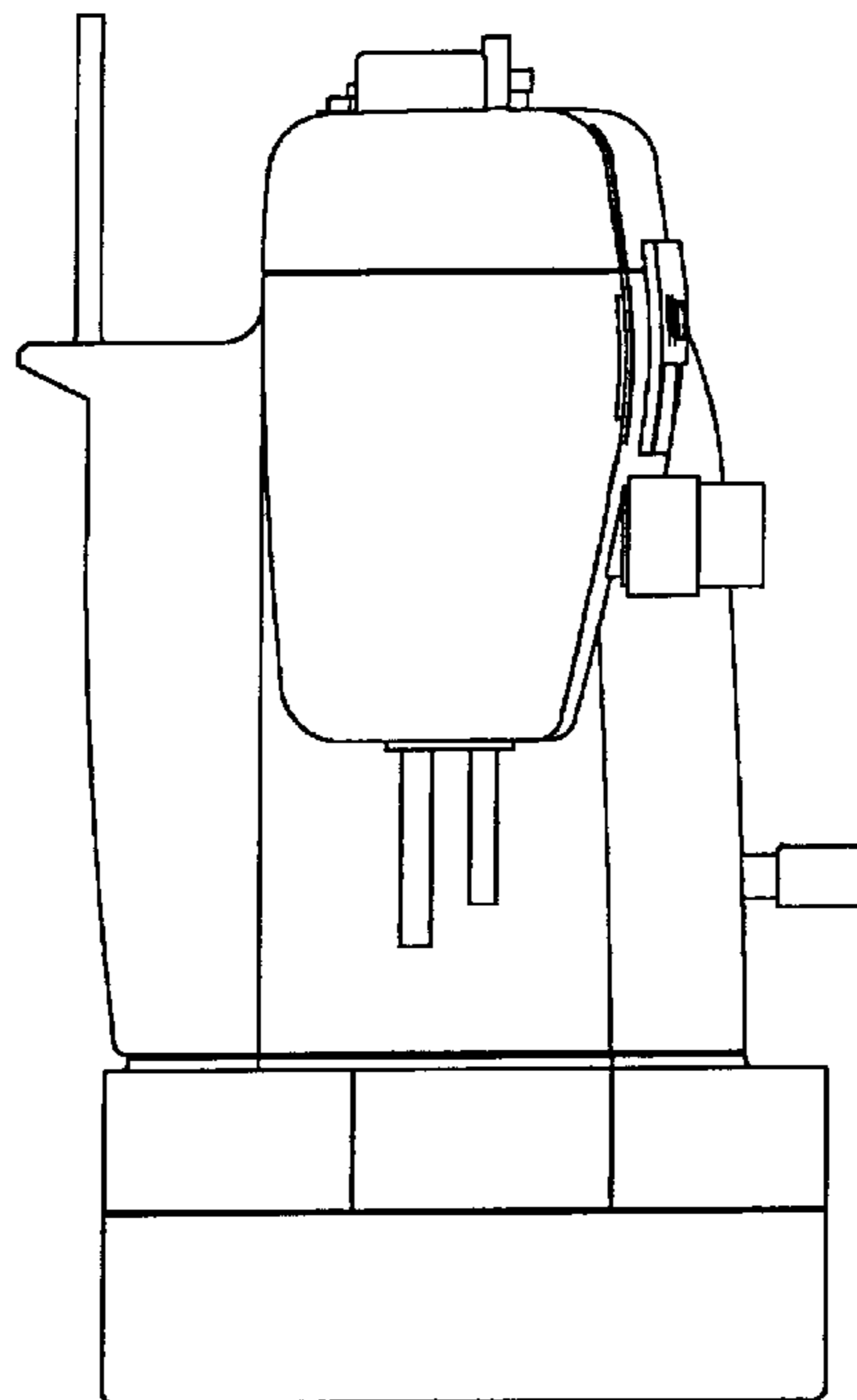


FIG. 7

