



US00D509515S

(12) **United States Design Patent** (10) **Patent No.:** **US D509,515 S**
Maruyama (45) **Date of Patent:** **** Sep. 13, 2005**

(54) **TRAVELING WORKING MACHINE**

(75) **Inventor:** **Katsuya Maruyama, Akashi (JP)**

(73) **Assignee:** **Kobelco Construction Machinery Co., Ltd., Hiroshima (JP)**

(**) **Term:** **14 Years**

(21) **Appl. No.:** **29/190,727**

(22) **Filed:** **Sep. 26, 2003**

(30) **Foreign Application Priority Data**

Mar. 26, 2003	(JP)	2003-008226
Mar. 26, 2003	(JP)	2003-008227
Mar. 26, 2003	(JP)	2003-008228
Mar. 26, 2003	(JP)	2003-008229
Mar. 26, 2003	(JP)	2003-008230
Mar. 26, 2003	(JP)	2003-008231
Mar. 26, 2003	(JP)	2003-008232

(51) **LOC (8) Cl.** **15-03**

(52) **U.S. Cl.** **D15/26**

(58) **Field of Search** **D15/10, 22-26;**
175/52, 85, 22, 23, 28; 180/89.1, 89.12,
900; 414/592, 618, 633, 680, 785, 694;
172/456, 474

(56) **References Cited**

U.S. PATENT DOCUMENTS

D221,573 S	*	8/1971	Ashton	D15/26
D264,590 S	*	5/1982	Thomas	D15/21
5,266,001 A	*	11/1993	Kanayama et al.	414/694
5,423,655 A	*	6/1995	Kanayama et al.	414/694
D366,489 S	*	1/1996	Brown	D15/22
5,535,688 A	*	7/1996	Kaufman	111/52

* cited by examiner

Primary Examiner—Mitchell Siegel
(74) *Attorney, Agent, or Firm*—Oblon, Spivak, McClelland,
Maier & Neustadt, P.C.

(57) **CLAIM**

The ornamental design for a traveling working machine, as shown and described.

DESCRIPTION

FIG. 1 is a front elevational view of a traveling working machine, showing my new design;
FIG. 2 is a rear elevational view thereof;
FIG. 3 is a left side elevational view thereof;
FIG. 4 is a right side elevational view thereof;
FIG. 5 is a top plan view thereof;
FIG. 6 is a bottom plan view thereof;
FIG. 7 is a top, rear and left side perspective view thereof;
FIG. 8 is a top view thereof showing the state wherein the cabin thereof is moved laterally;
FIG. 9 is a front elevational view of a second embodiment thereof showing transparent members thereof with cross-hatching;
FIG. 10 is a rear elevational view thereof;
FIG. 11 is a left side elevational view thereof;
FIG. 12 is a right side elevational view thereof;
FIG. 13 is a top plan view thereof;
FIG. 14 is a front elevational view of a third embodiment thereof;
FIG. 15 is a rear elevational view thereof;
FIG. 16 is a left side elevational view thereof;
FIG. 17 is a right side elevational view thereof;
FIG. 18 is a top plan view thereof;
FIG. 19 is a bottom plan view thereof;
FIG. 20 is a top, rear and left side perspective view thereof;
FIG. 21 is a front elevational view of a fourth embodiment thereof showing transparent members thereof in cross-sectional line;
FIG. 22 is a rear elevational view thereof;
FIG. 23 is a left side elevational view thereof;
FIG. 24 is a right side elevational view thereof; and,
FIG. 25 is a top plan view thereof.
The phantom lines shown form no part of the claimed invention.

1 Claim, 10 Drawing Sheets

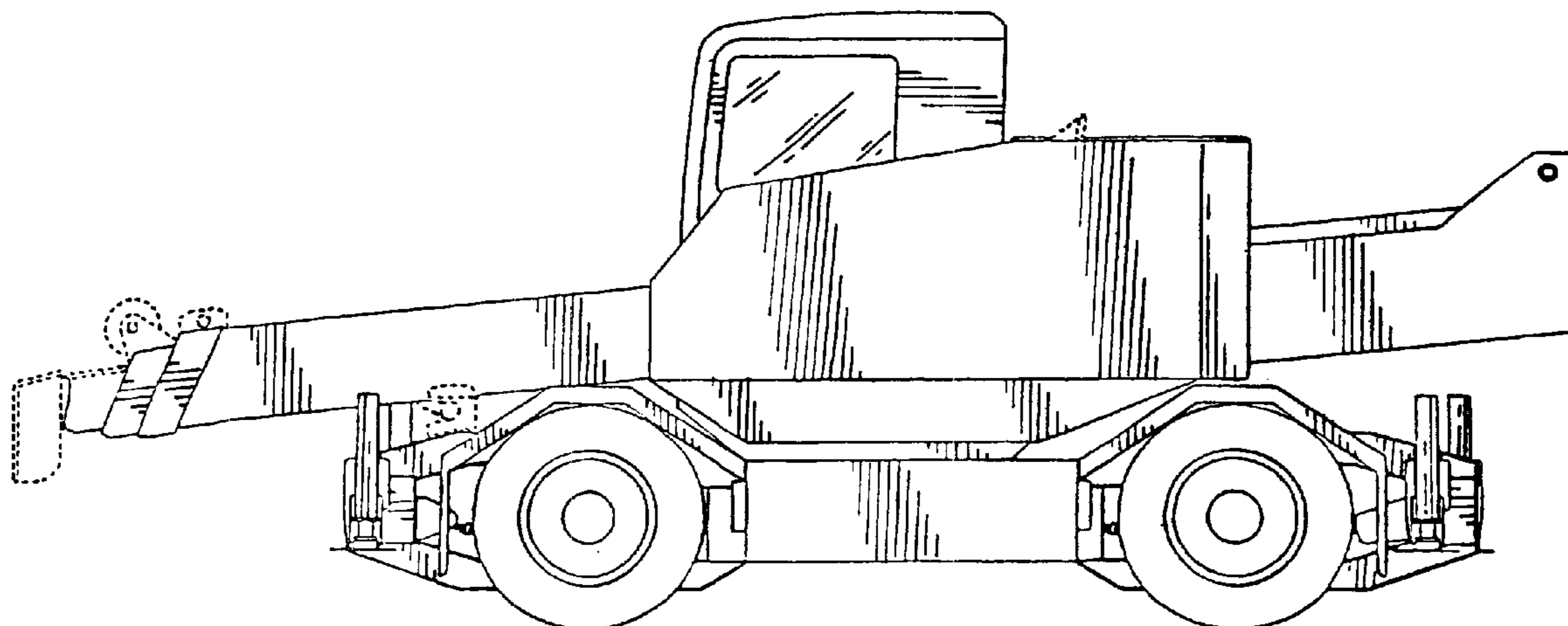


FIG. 7

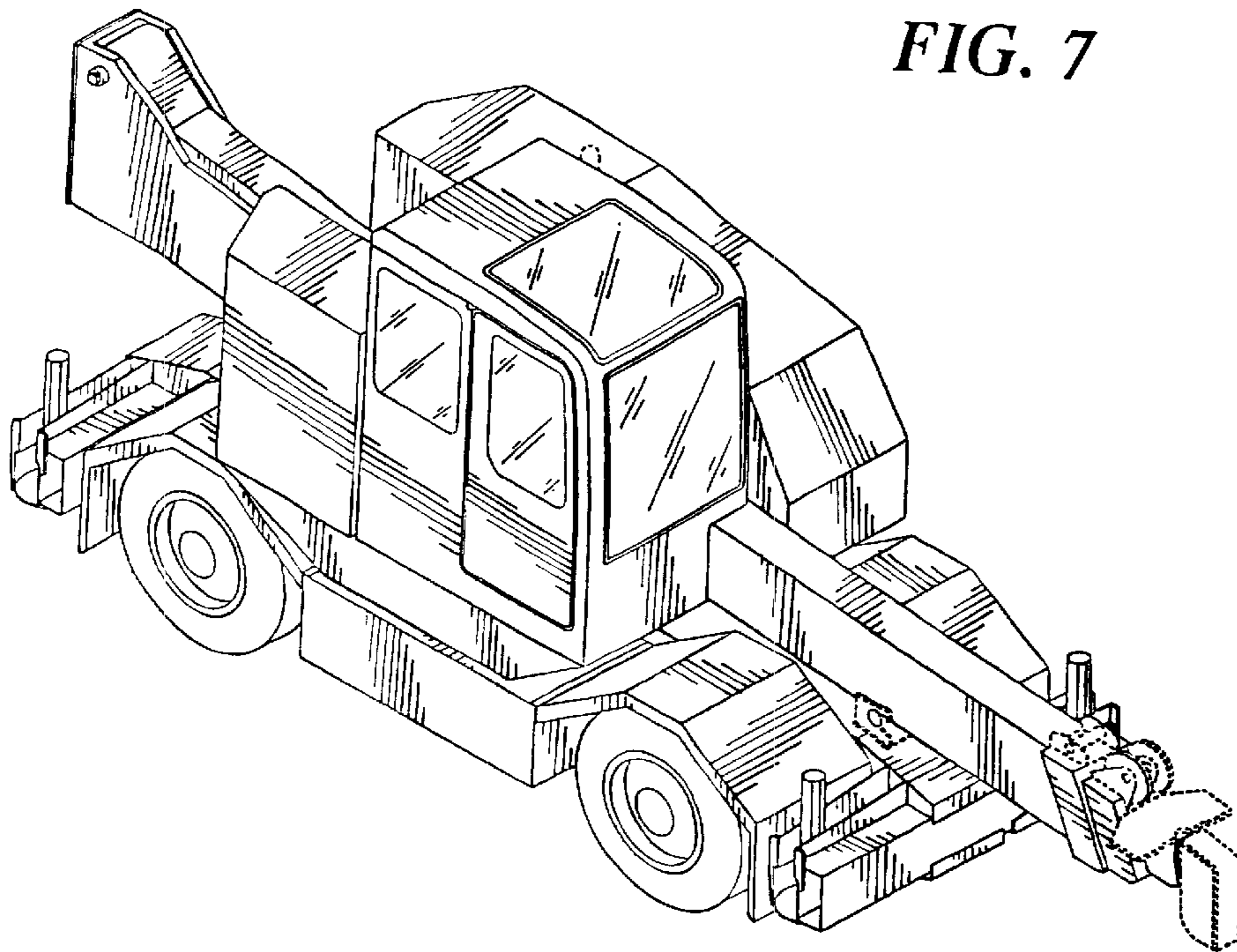
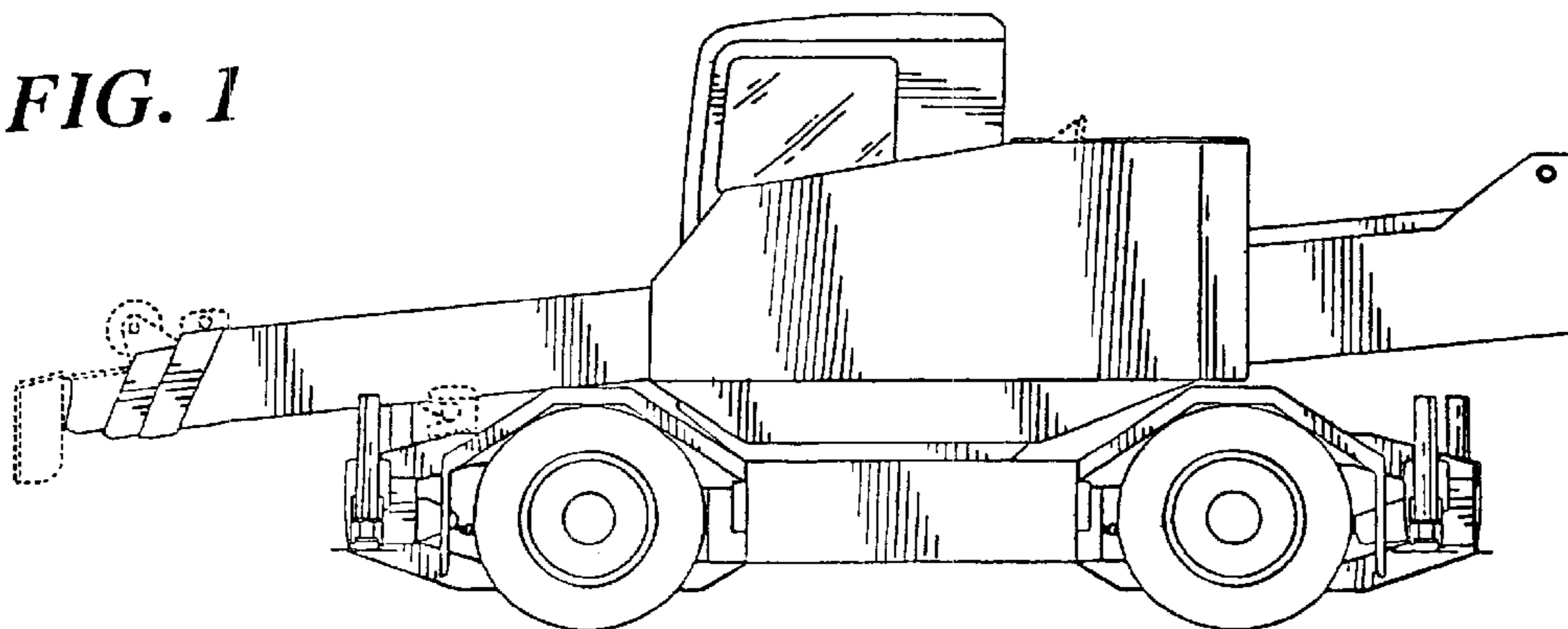


FIG. 1



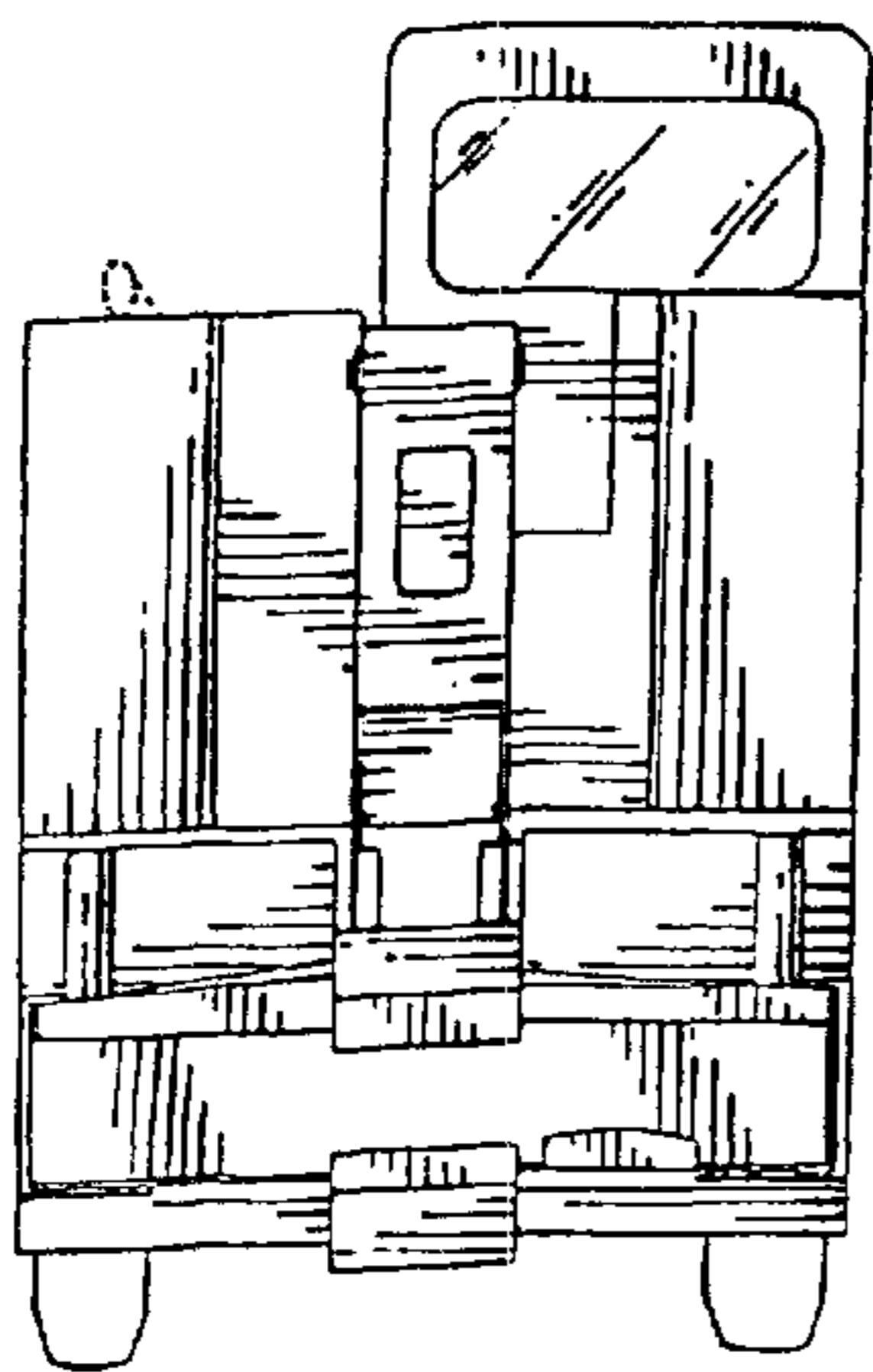
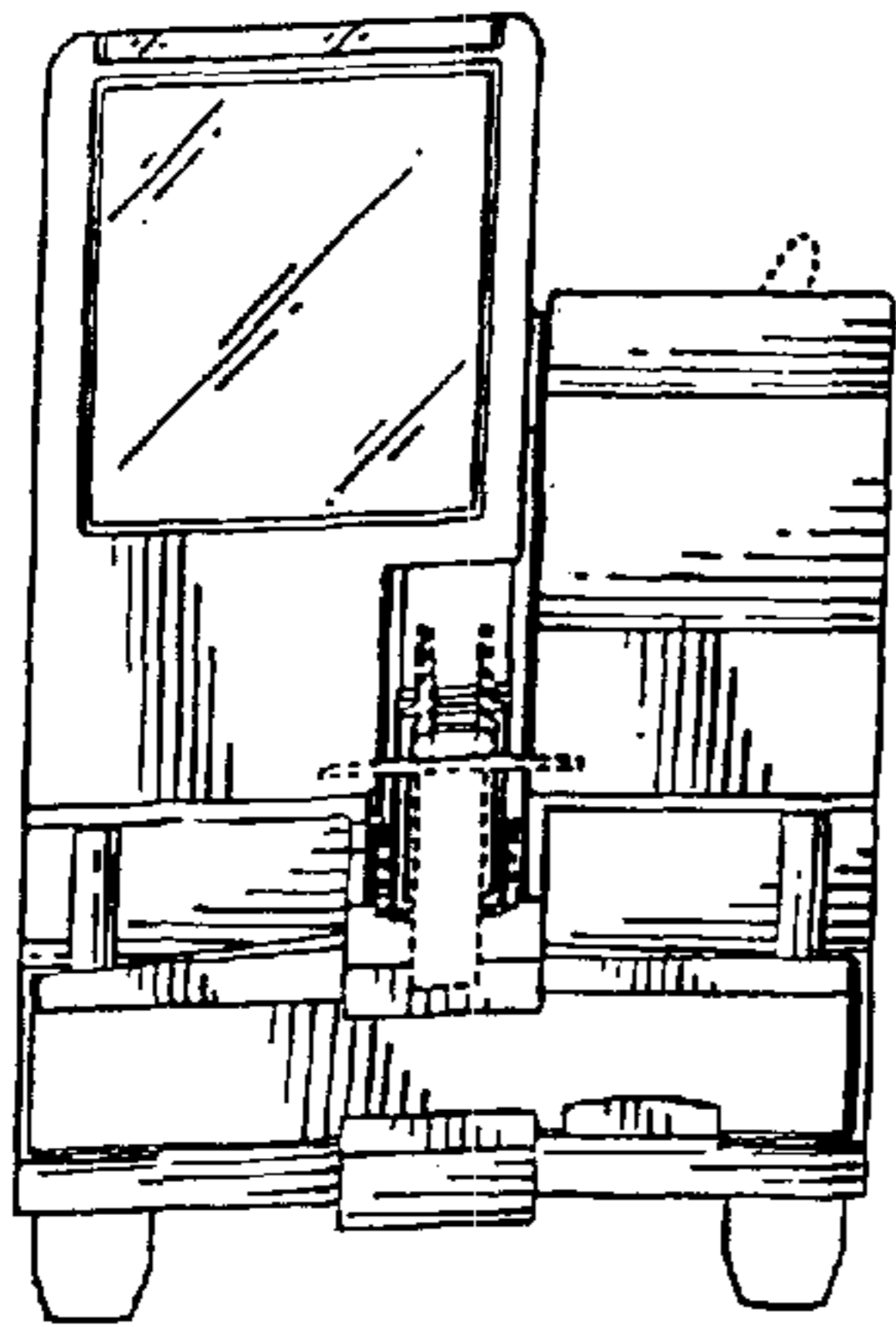
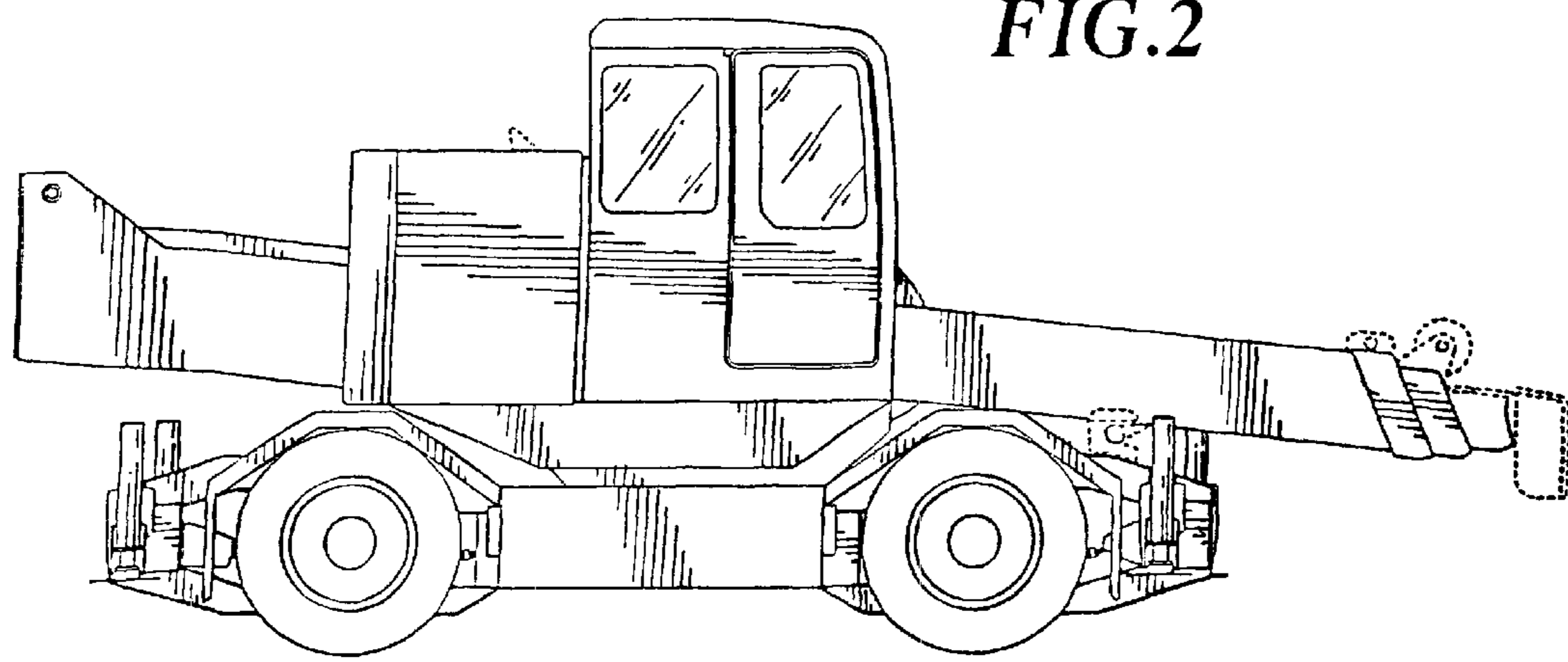


FIG. 5

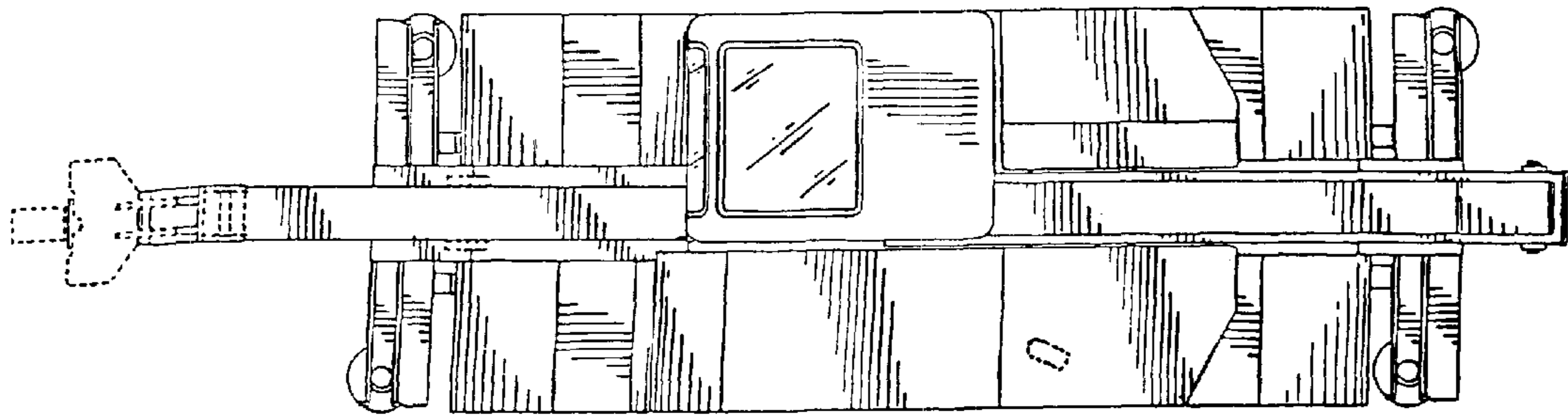


FIG. 6

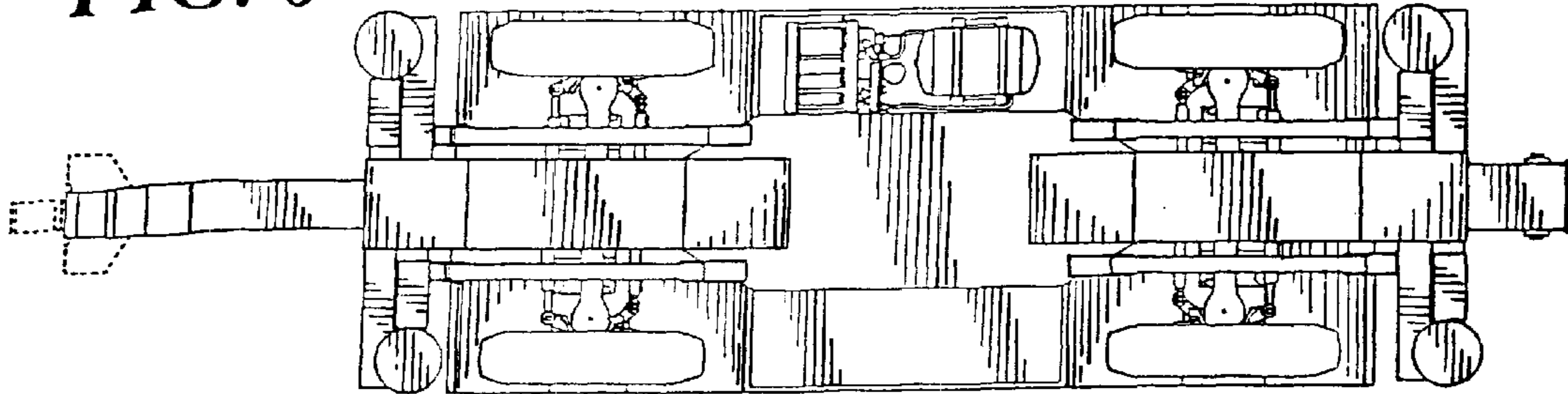


FIG. 8

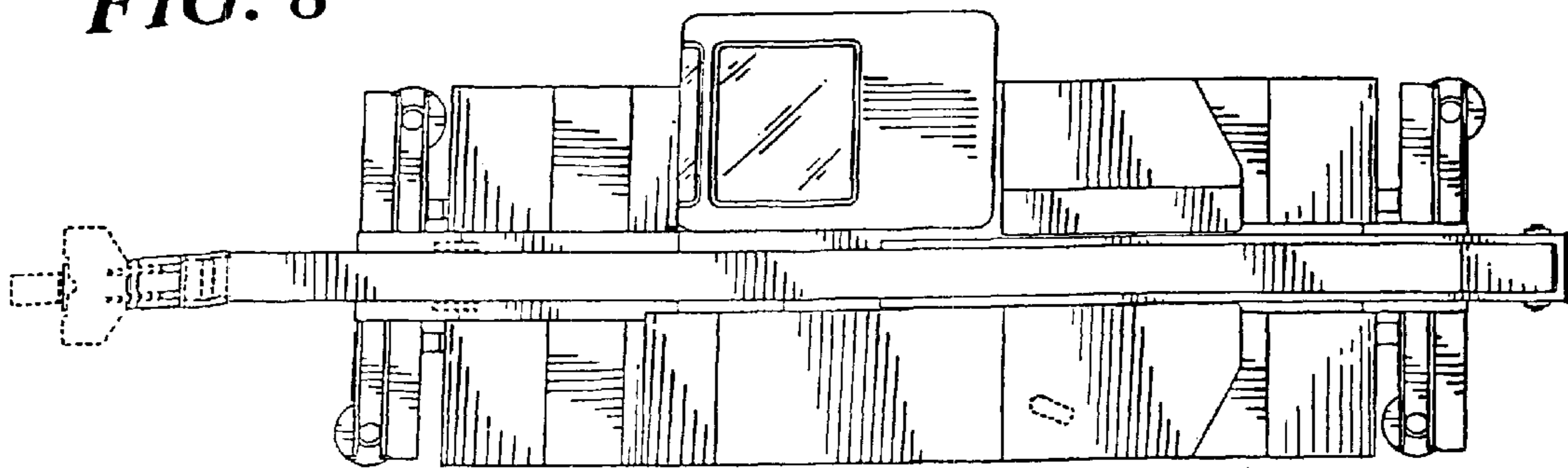


FIG. 9

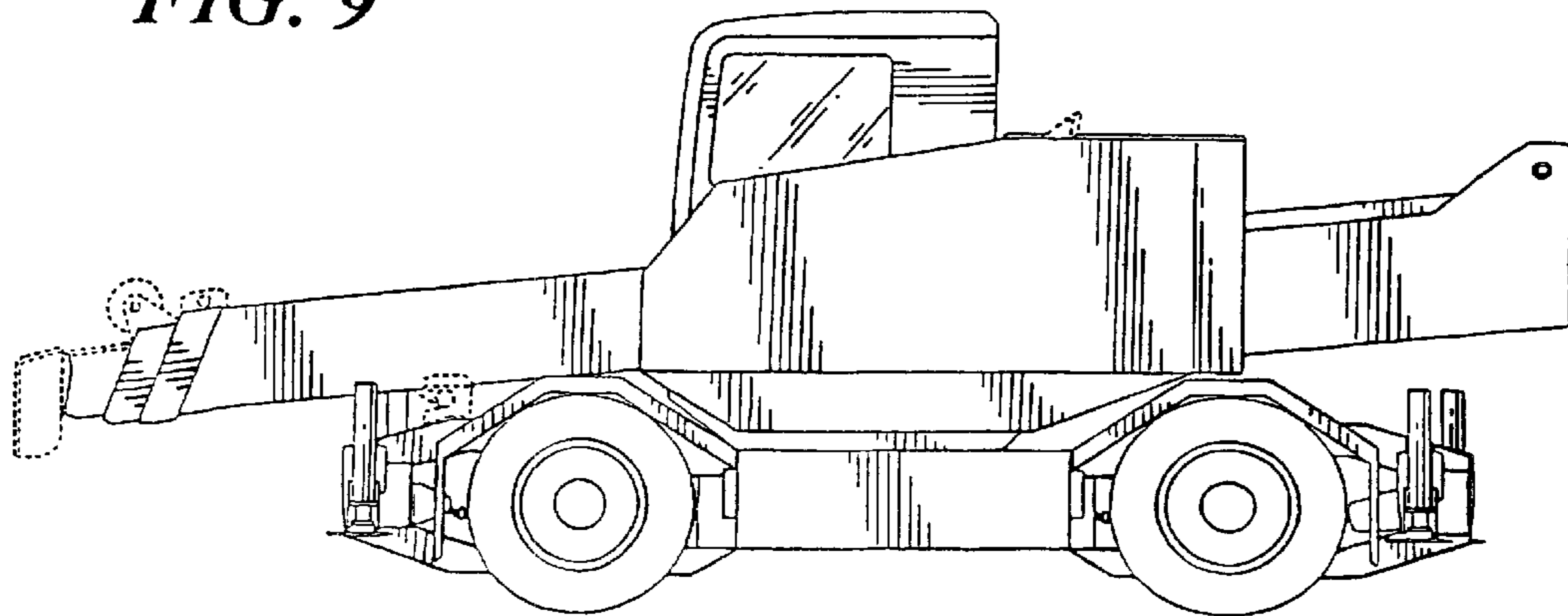
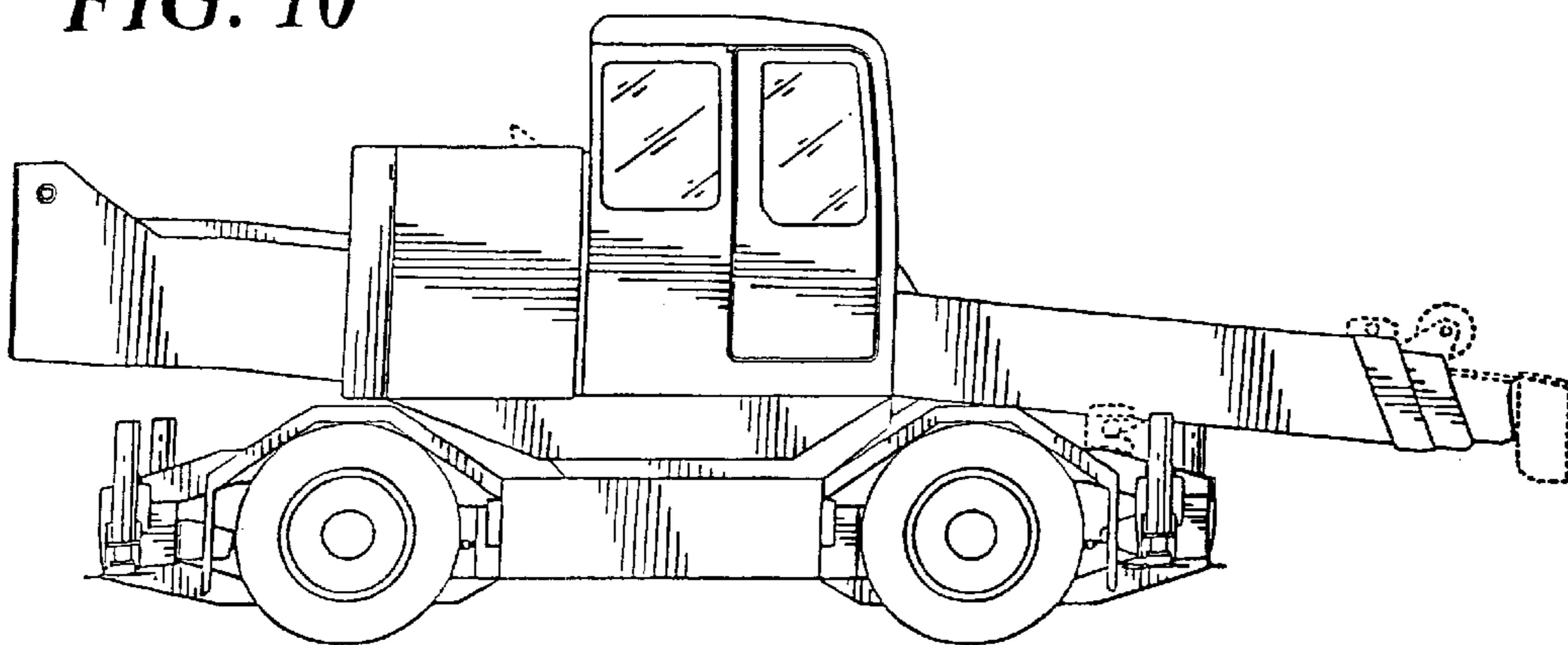


FIG. 10



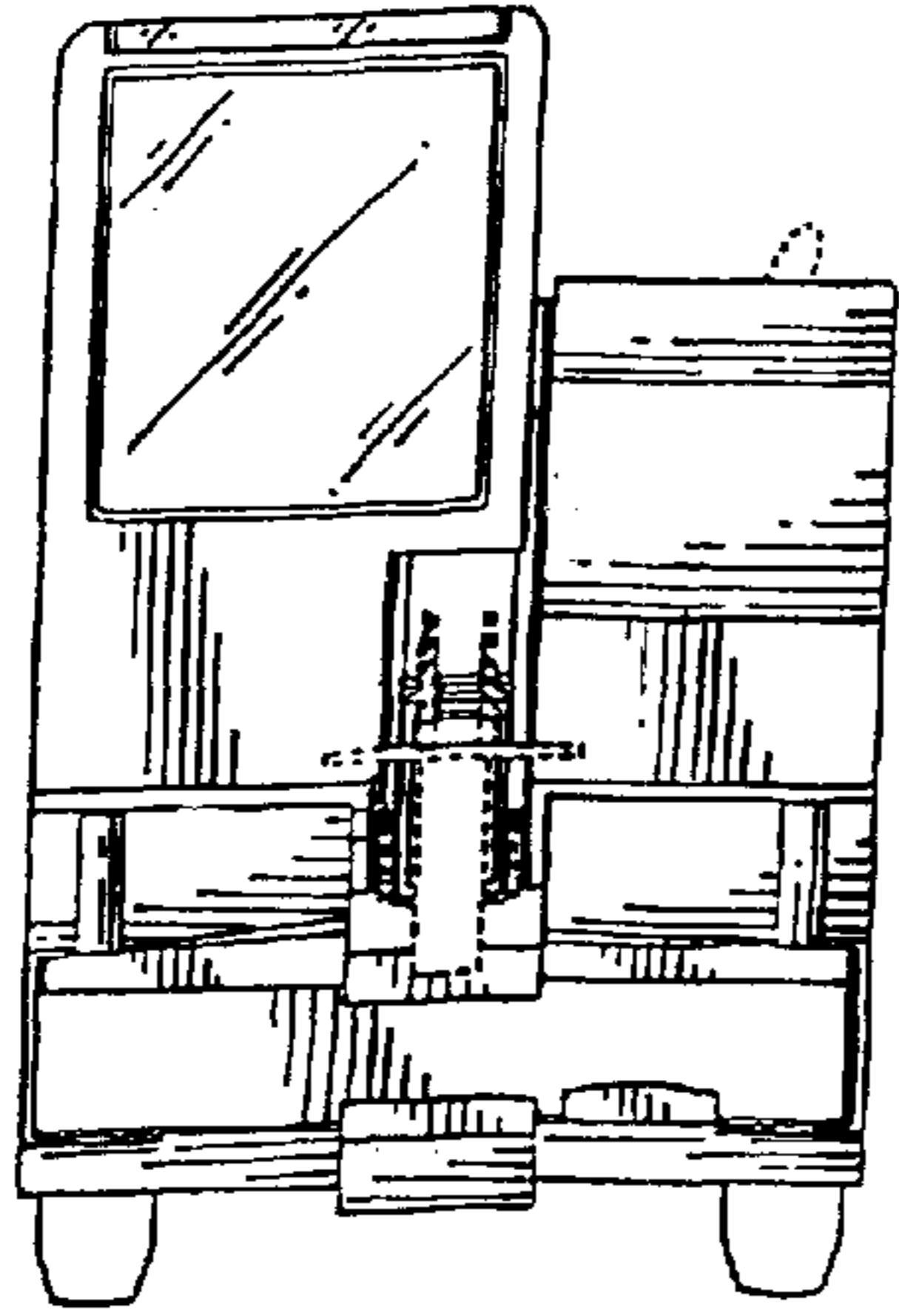


FIG. 11

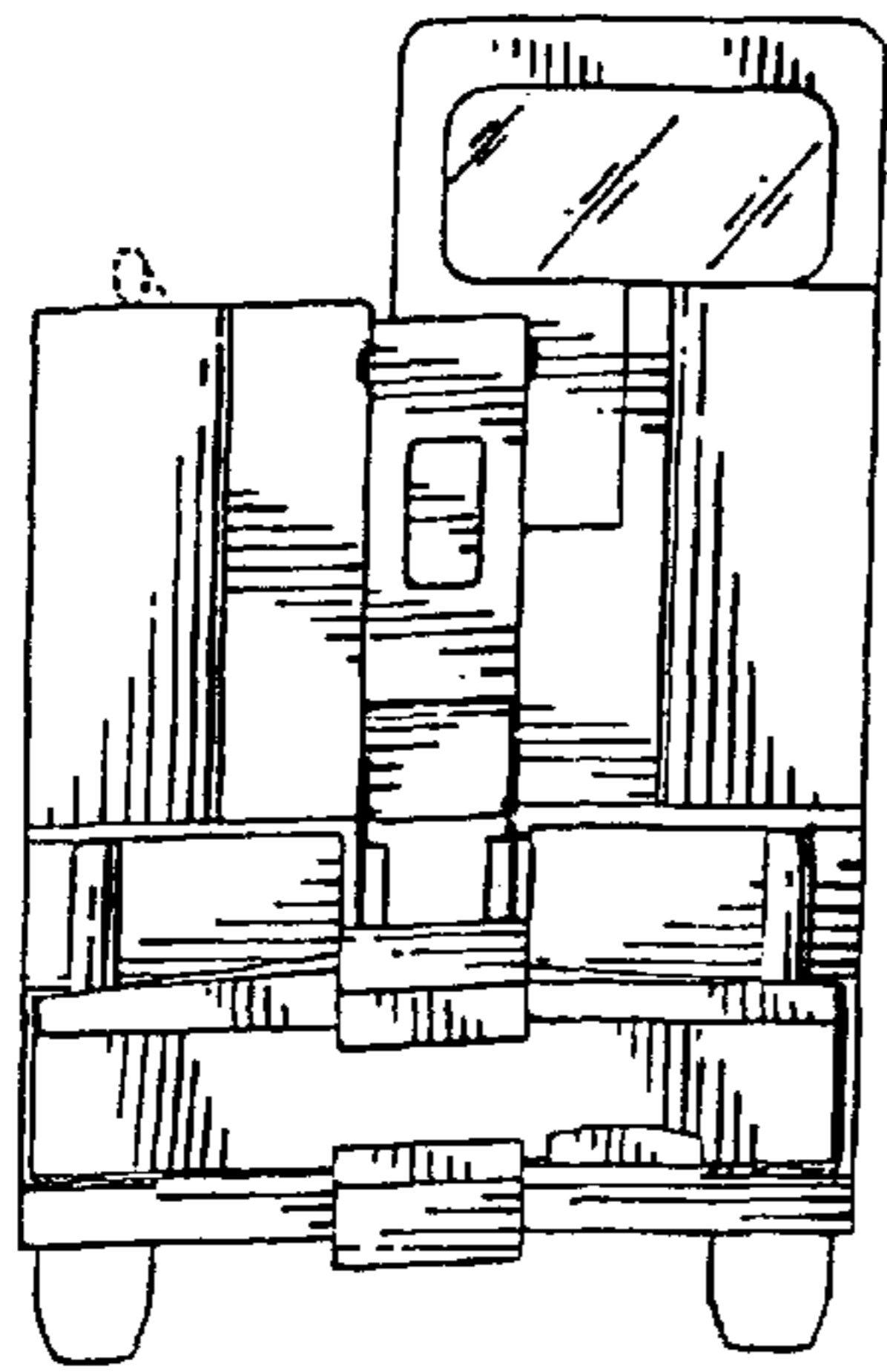


FIG. 12

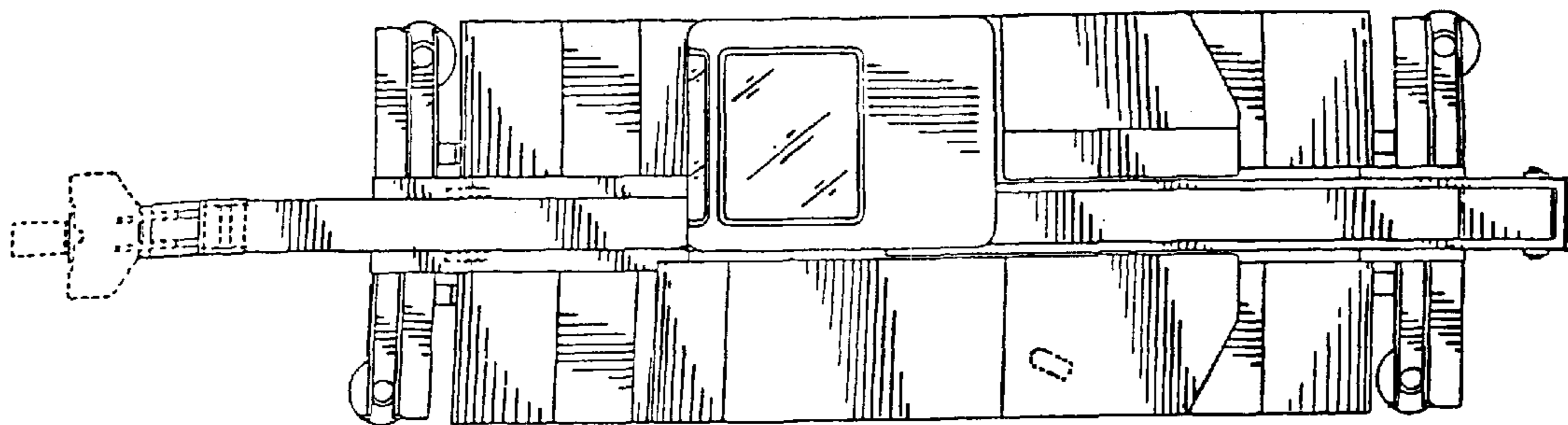


FIG. 13

FIG. 20

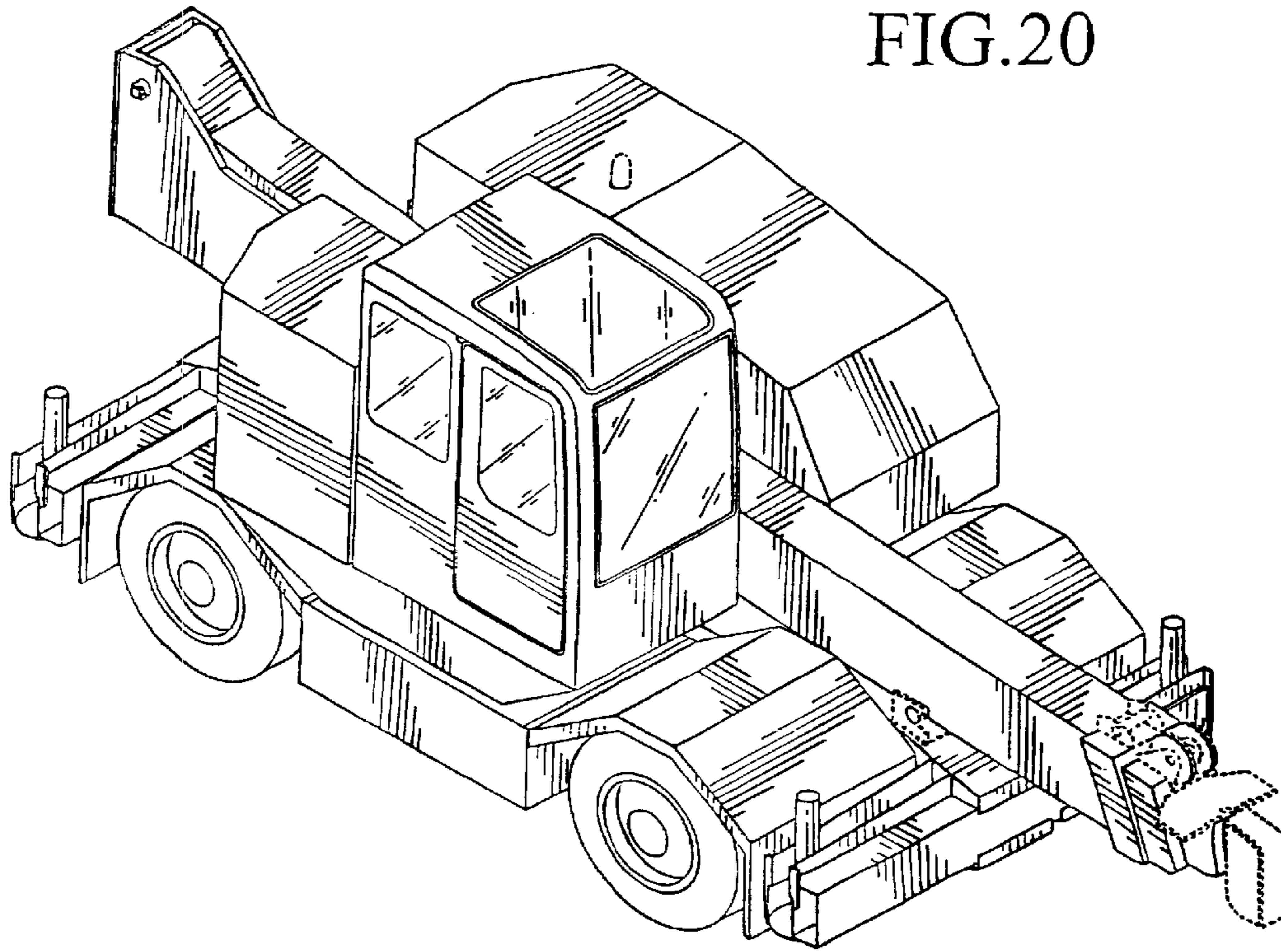


FIG. 14

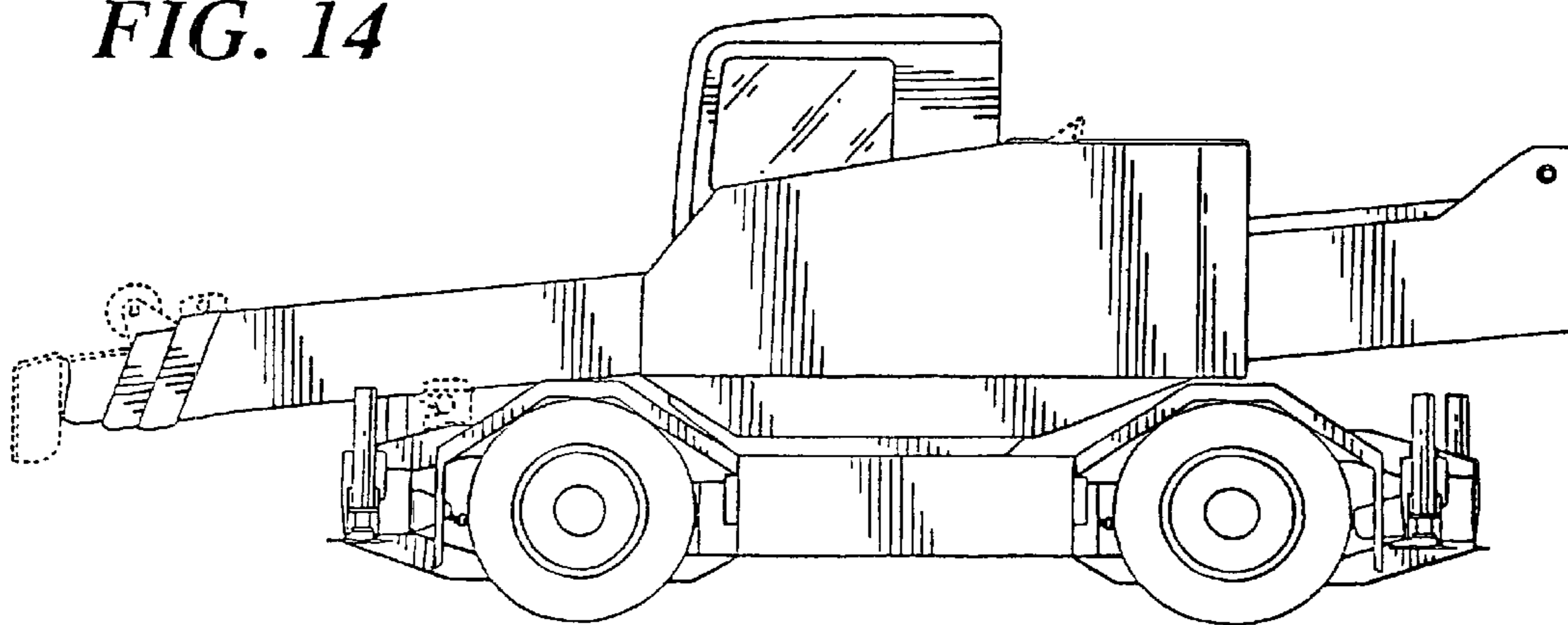


FIG. 15

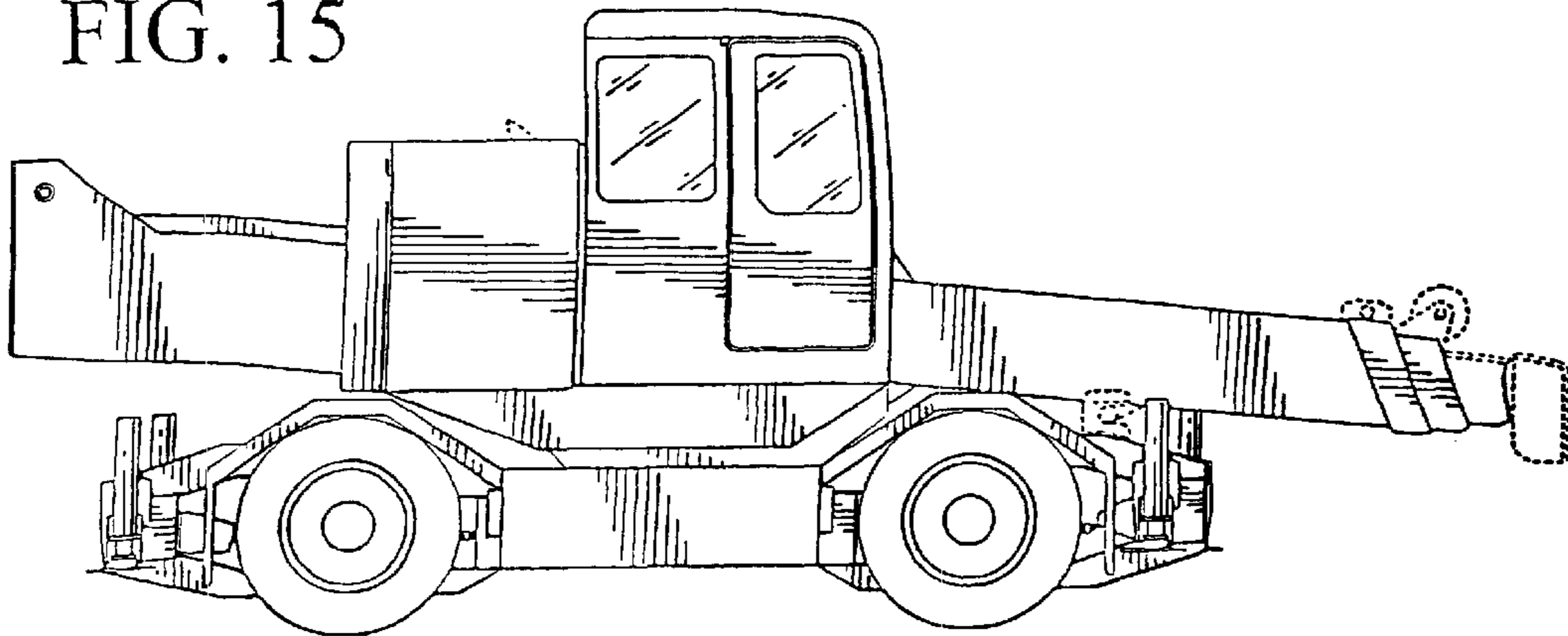


FIG. 16

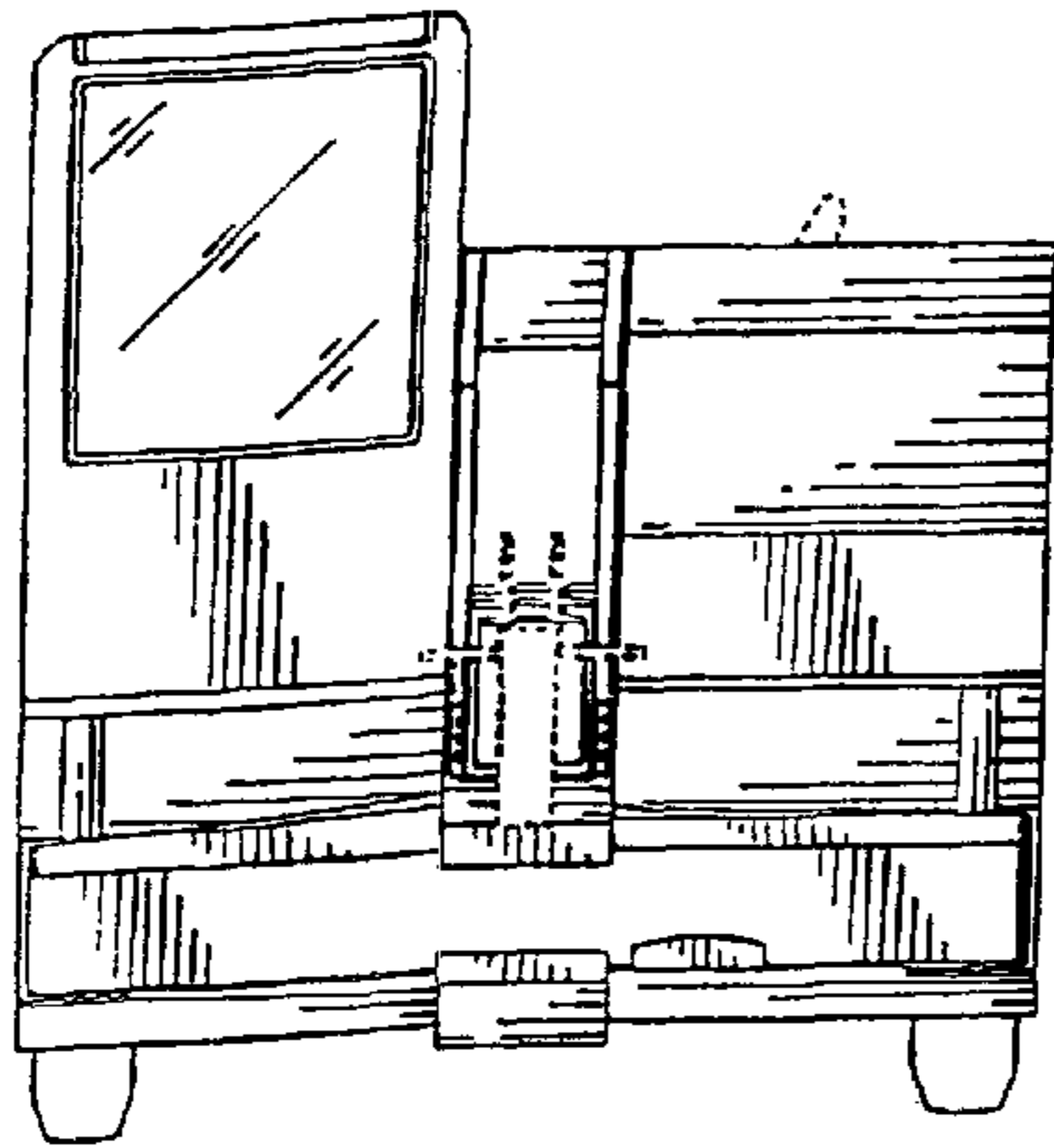


FIG. 17

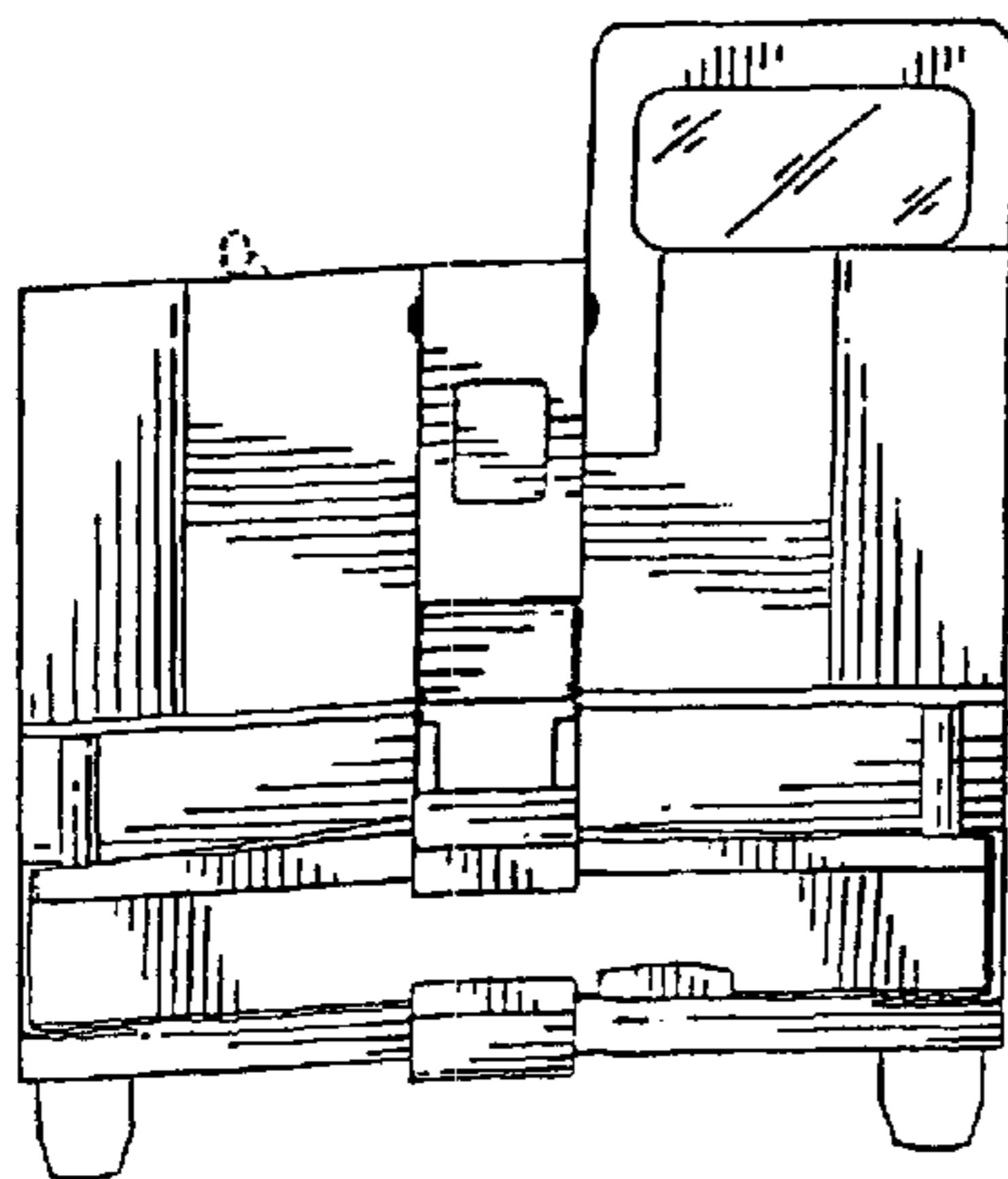


FIG.18

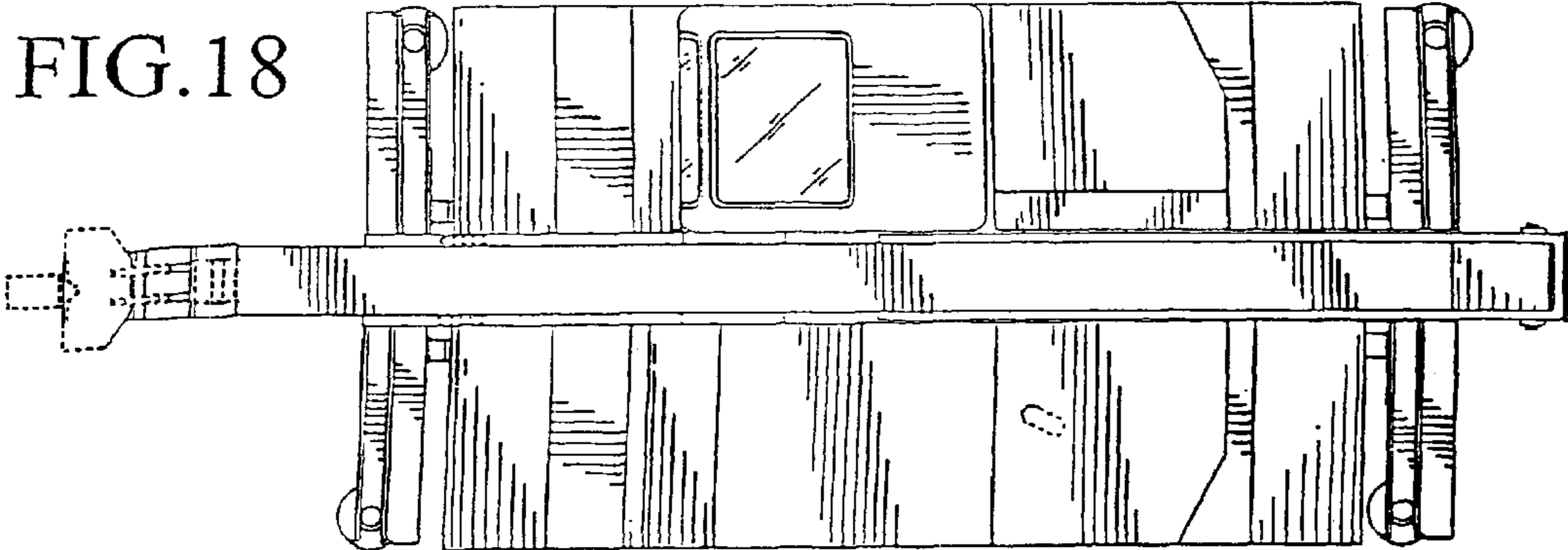


FIG.19

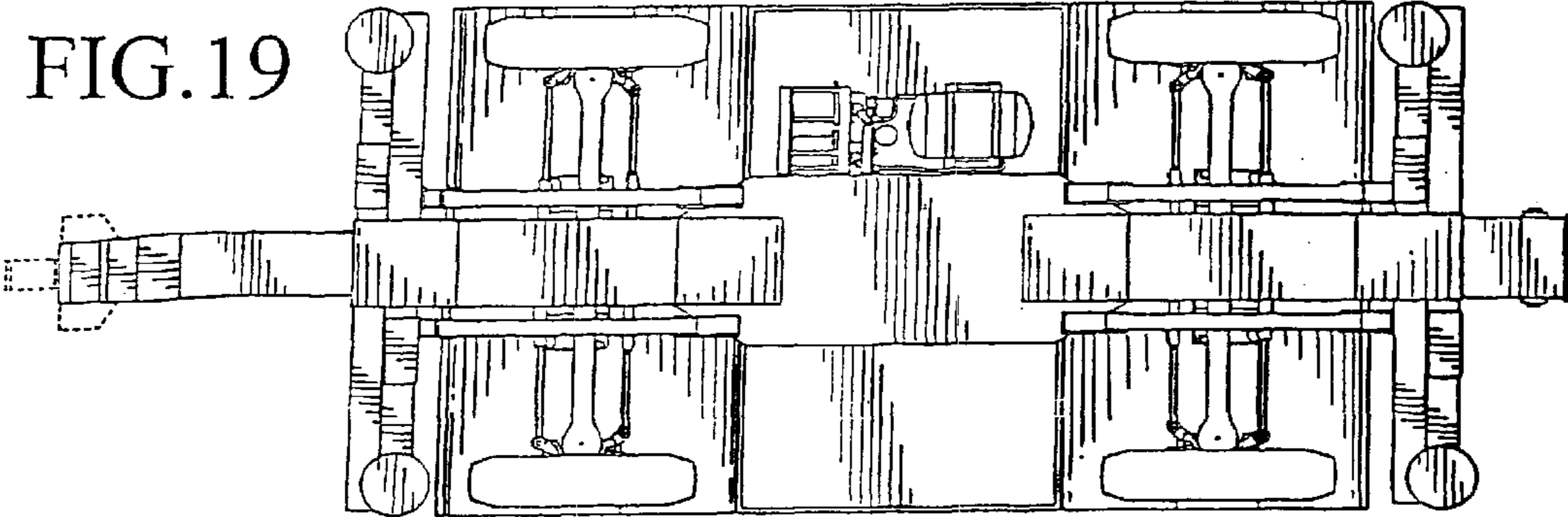
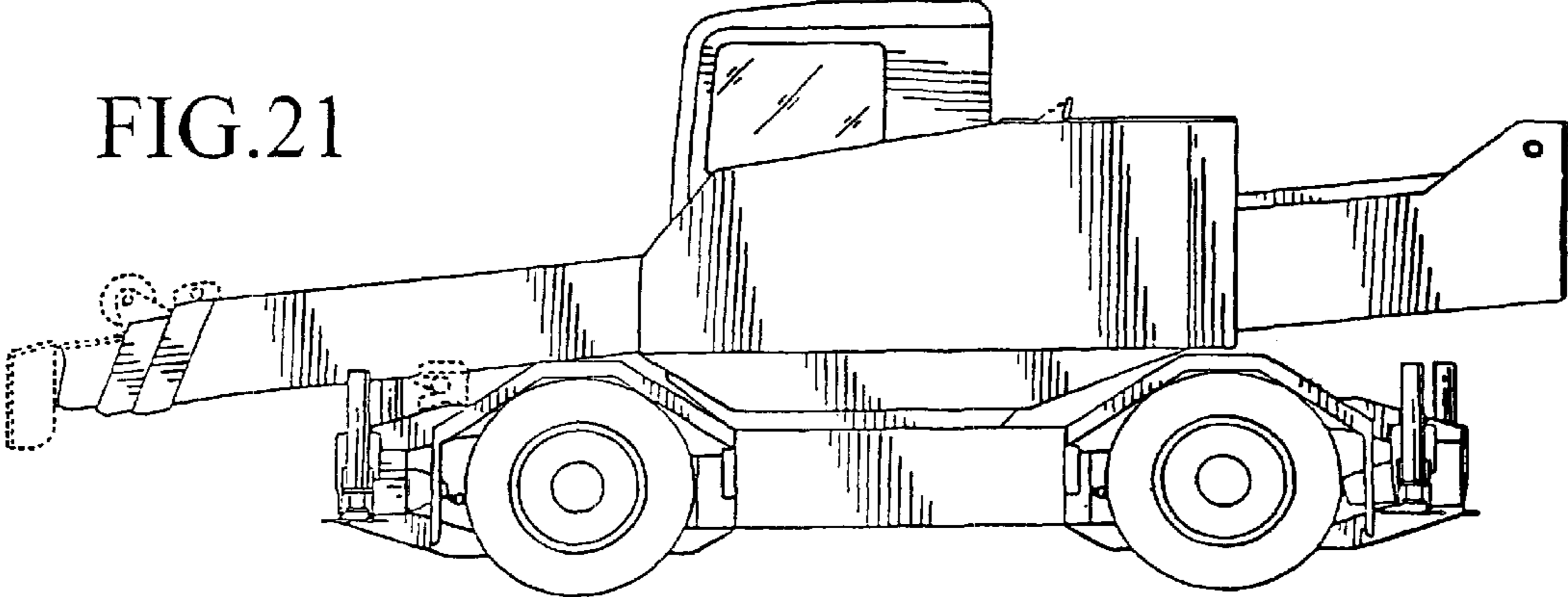


FIG.21



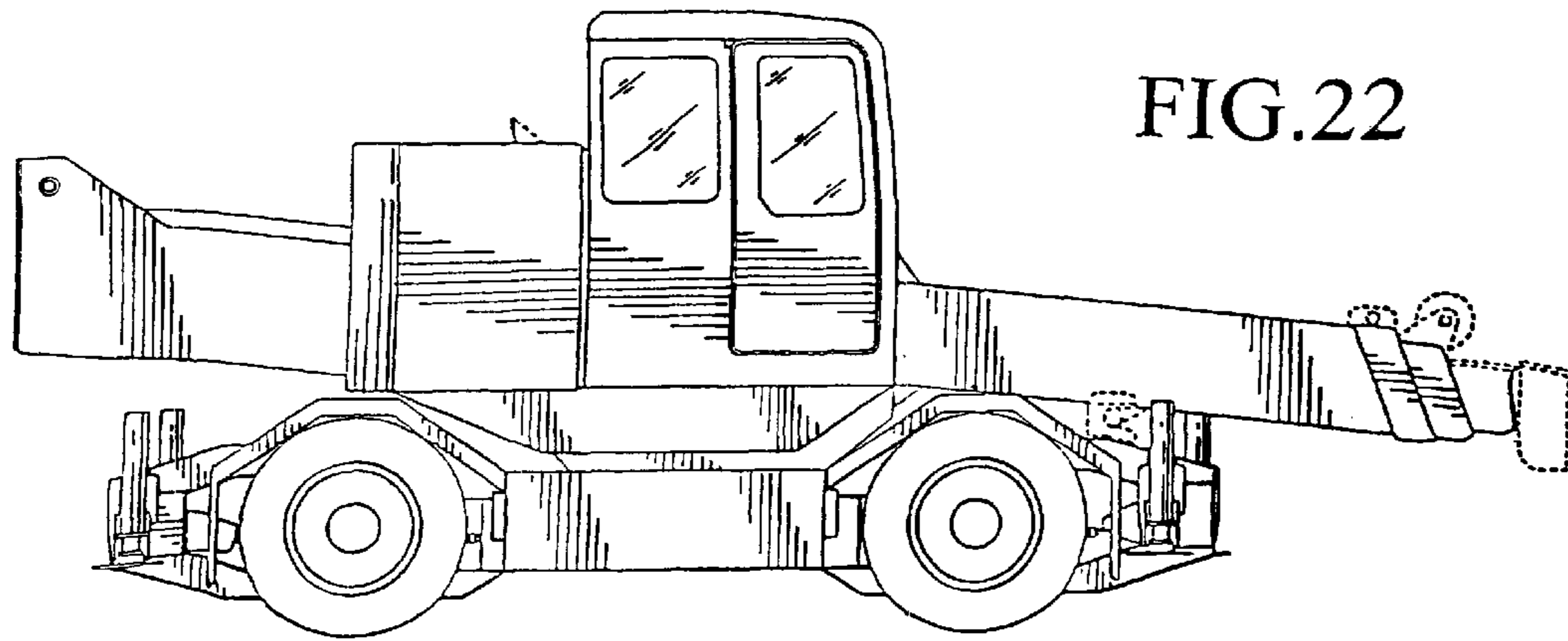


FIG. 22

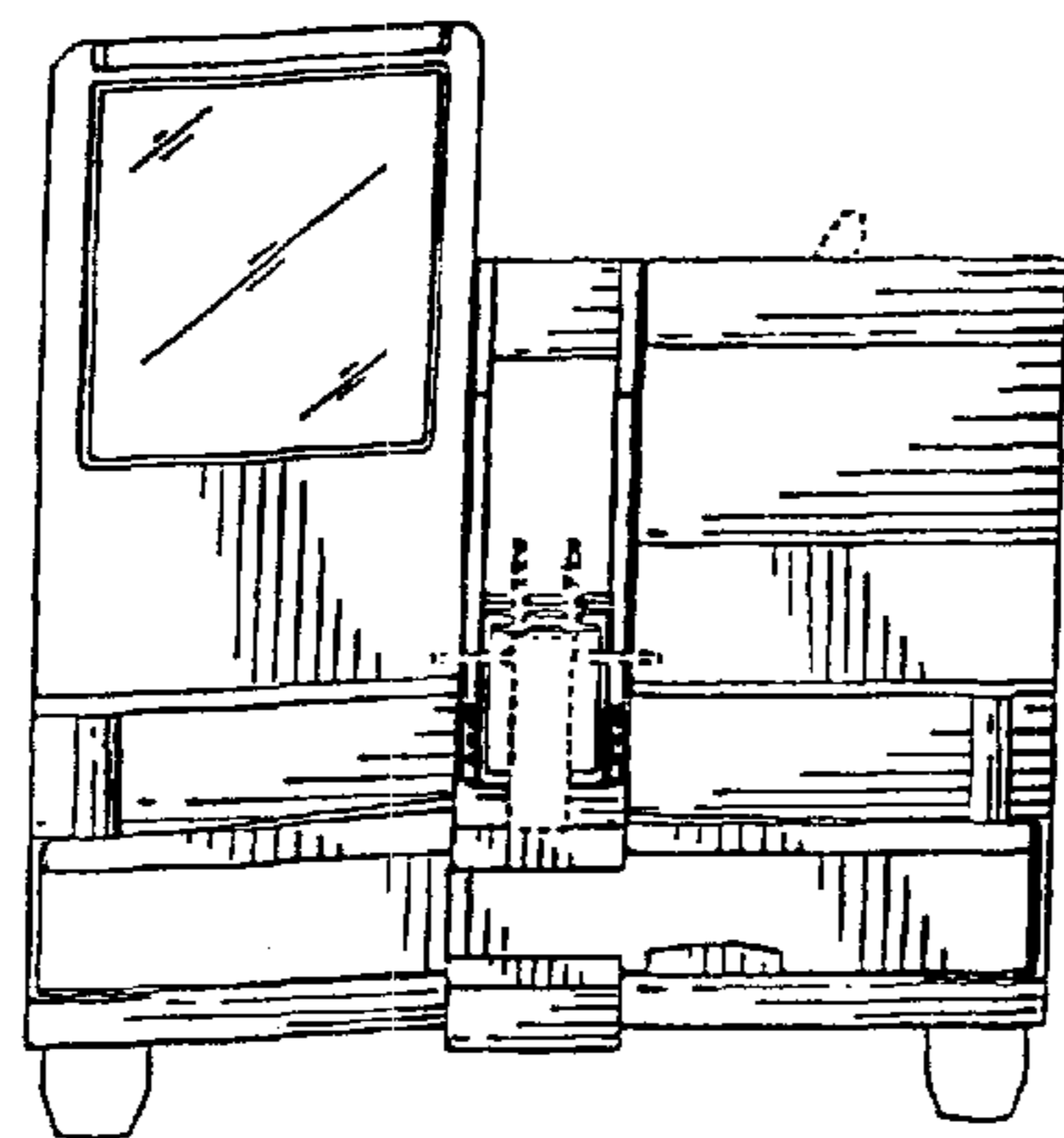


FIG. 23

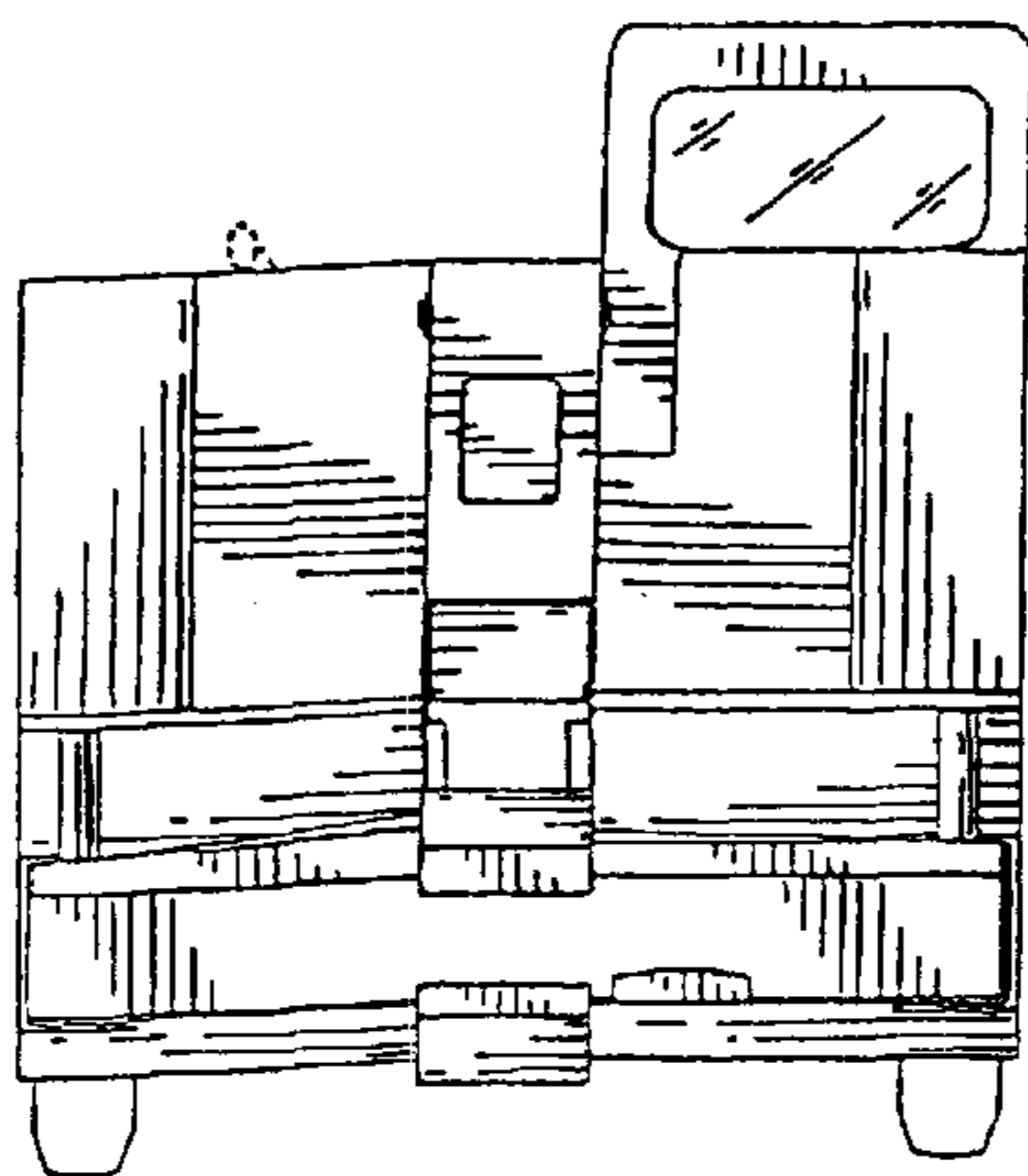
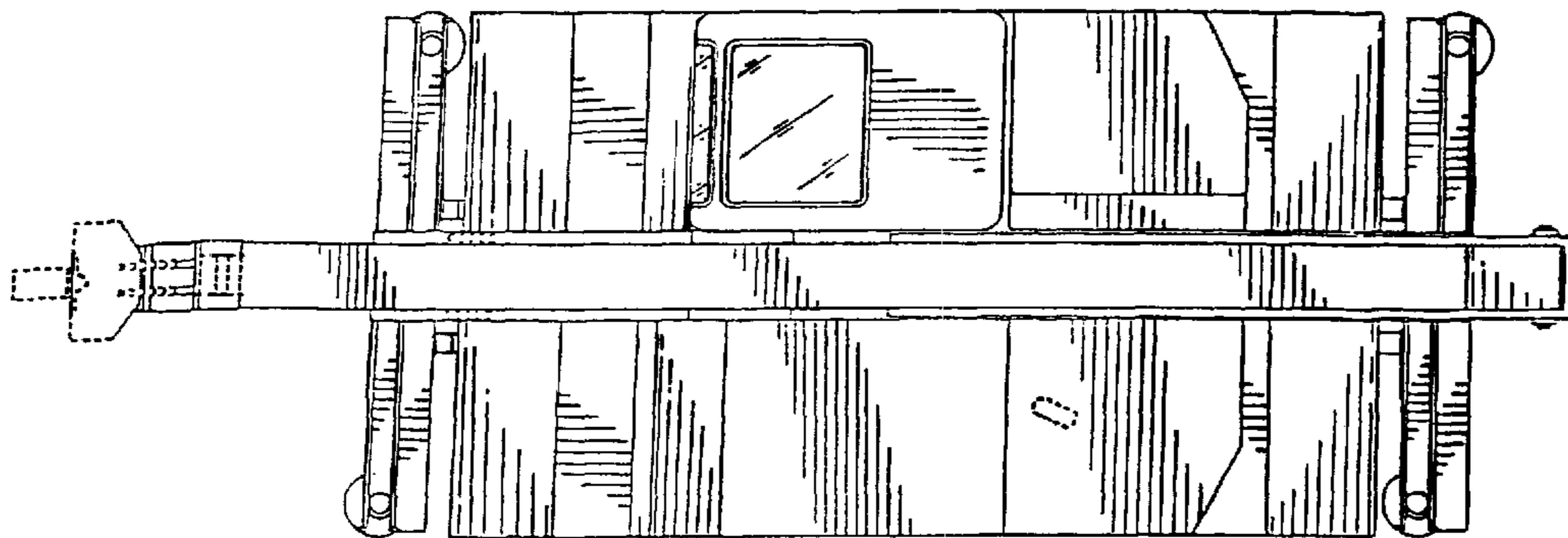


FIG. 24

FIG.25



UNITED STATES PATENT AND TRADEMARK OFFICE
CERTIFICATE OF CORRECTION

PATENT NO. : Des. 509,515 S
APPLICATION NO. : 29/190727
DATED : September 13, 2005
INVENTOR(S) : Katsuya Maruyama

Page 1 of 3

It is certified that error appears in the above-identified patent and that said Letters Patent is hereby corrected as shown below:

The sheets of drawing consisting of figures 9-13 should be deleted to appear as per attached figures 9-13.

Signed and Sealed this

Twenty-second Day of January, 2008

A handwritten signature in black ink that reads "Jon W. Dudas". The signature is written in a cursive style with a large, stylized initial "J".

JON W. DUDAS

Director of the United States Patent and Trademark Office

FIG. 9

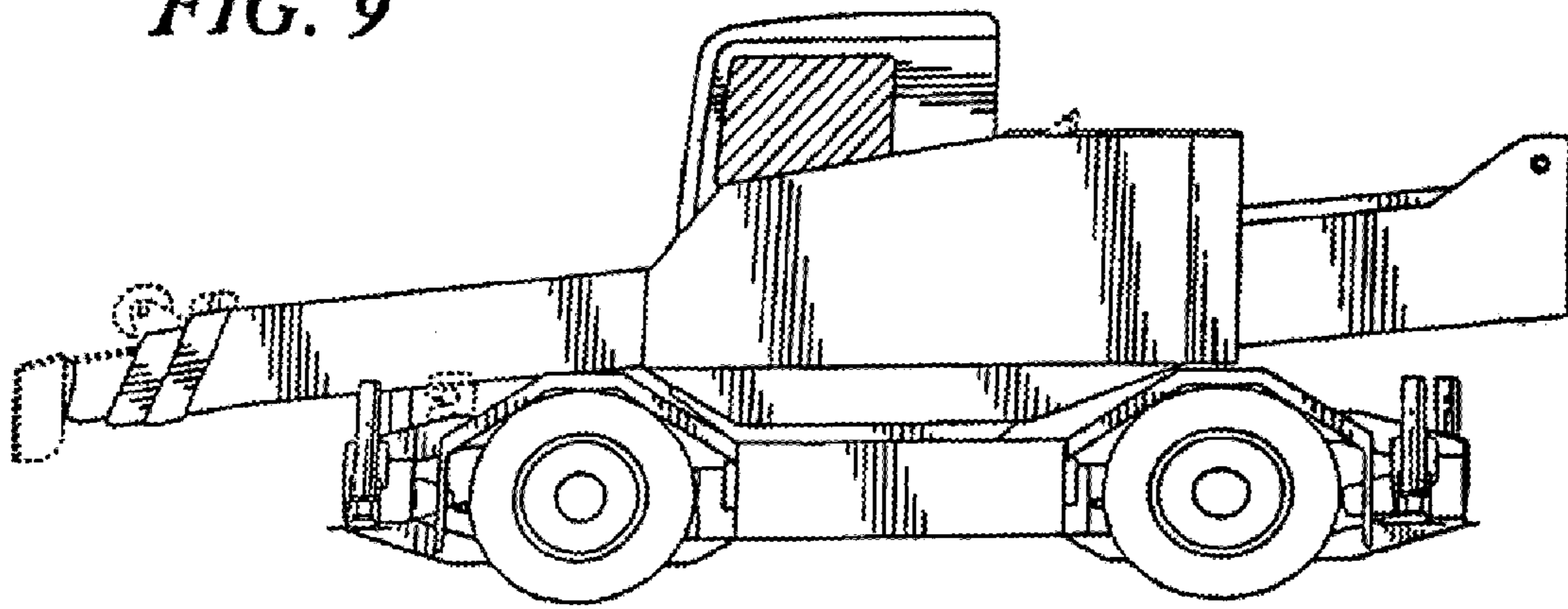
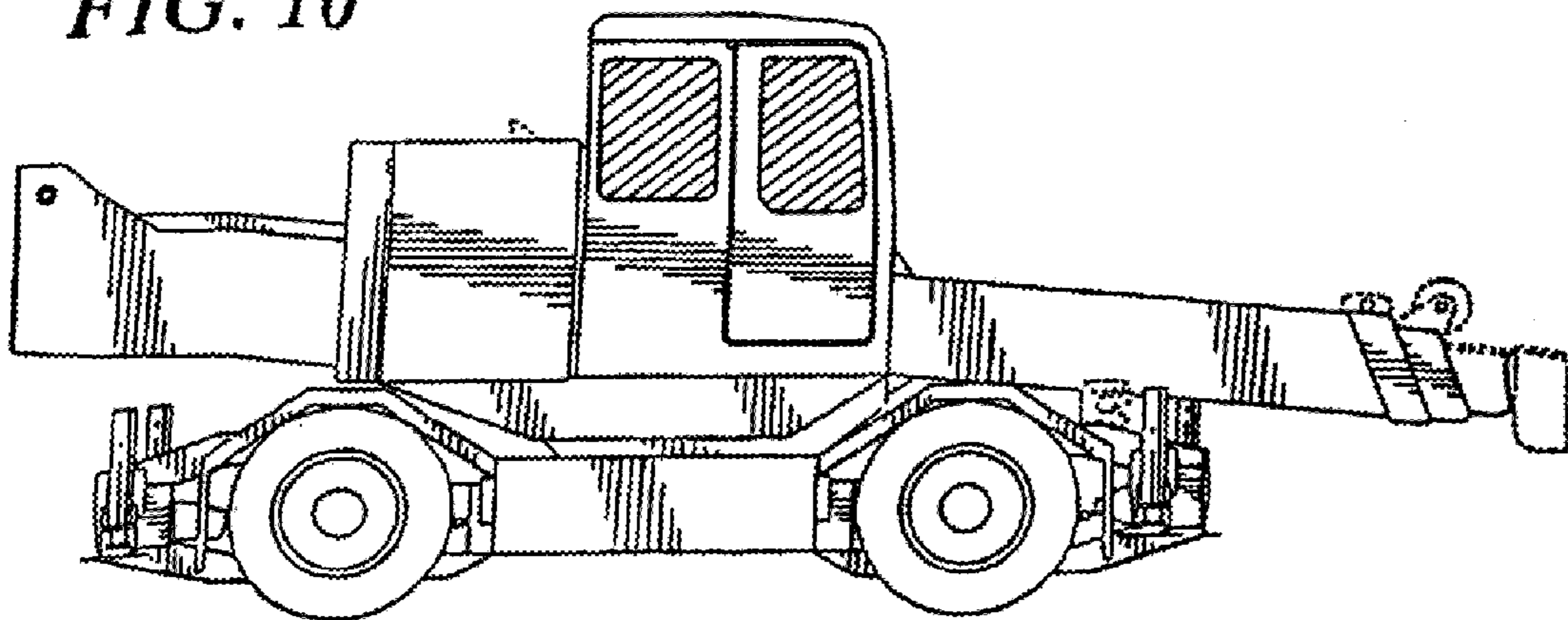


FIG. 10



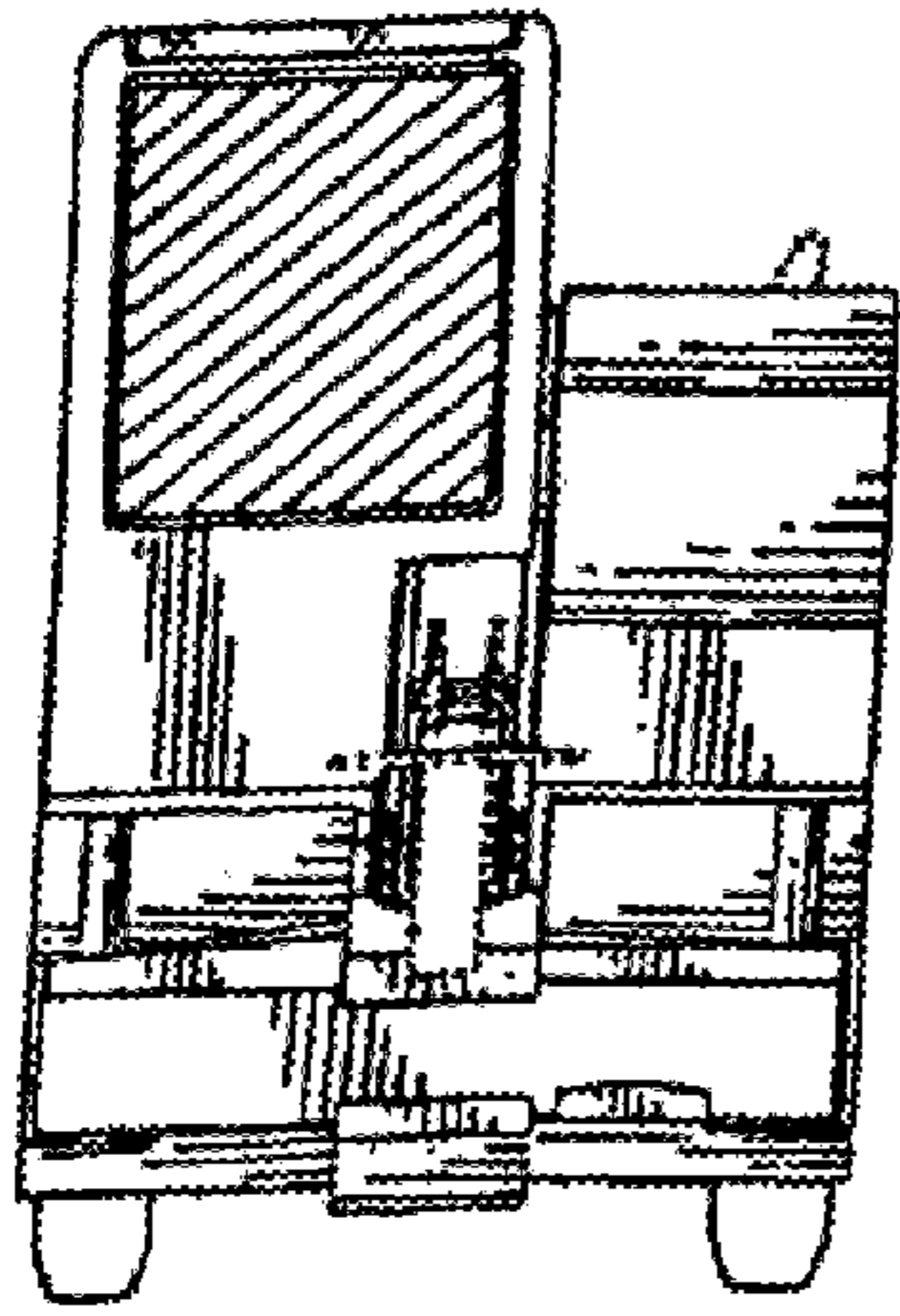


FIG. 11

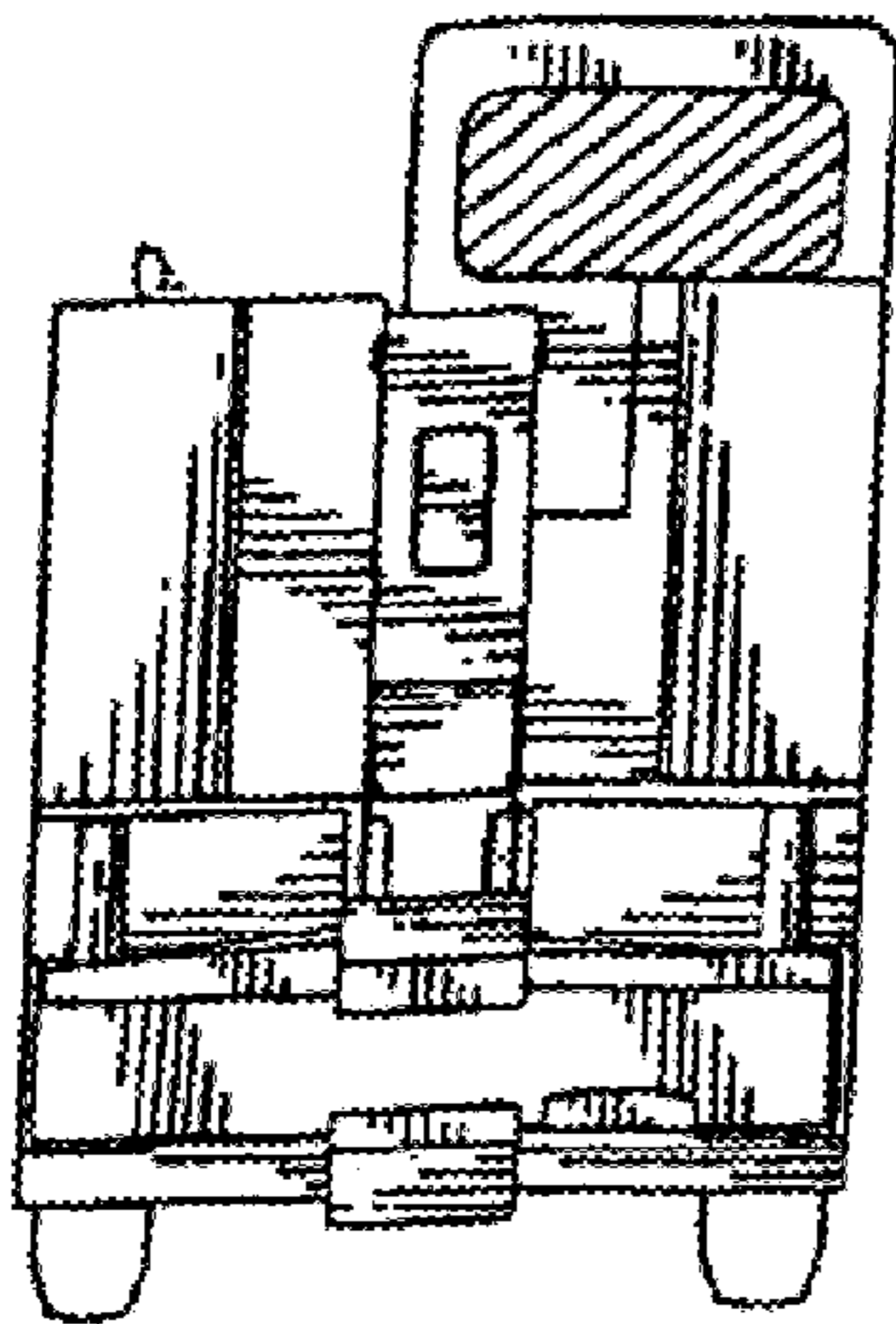


FIG. 12

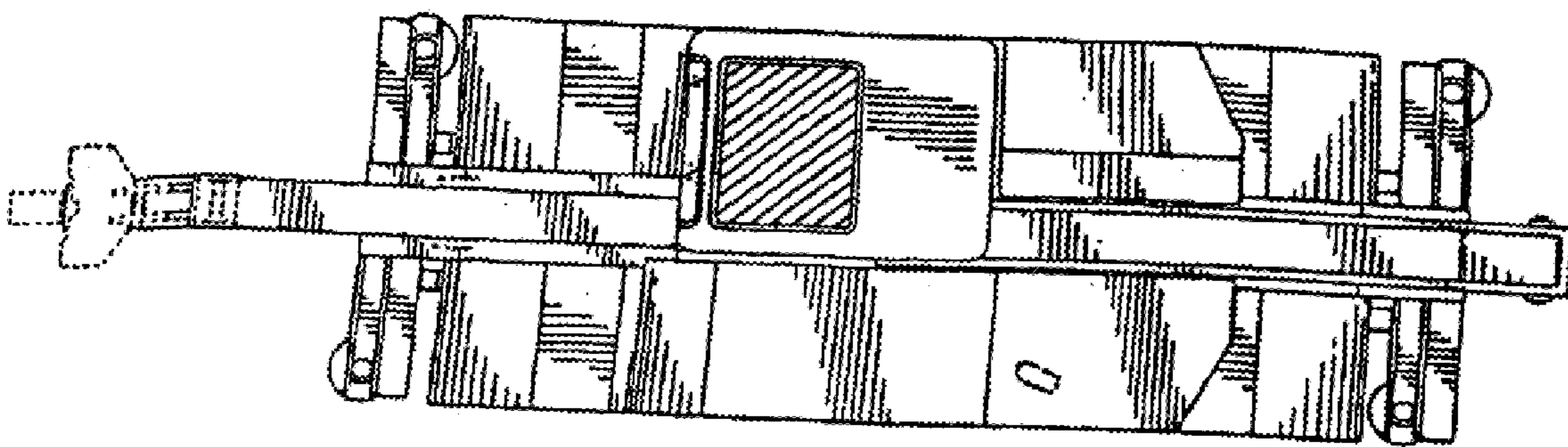


FIG. 13