



US00D509514S

(12) **United States Design Patent** (10) **Patent No.:** **US D509,514 S**
Shimokakiuchi et al. (45) **Date of Patent:** **** Sep. 13, 2005**

(54) **TRAVELING BODY FOR CONSTRUCTION MACHINE**

(75) Inventors: **Hiroshi Shimokakiuchi**, Hiroshima (JP); **Hirokazu Imashige**, Hiroshima (JP); **Hiroshi Morita**, Hiroshima (JP)

(73) Assignee: **Kobelco Construction Machinery Co., Ltd.**, Hiroshima (JP)

(**) Term: **14 Years**

(21) Appl. No.: **29/201,872**

(22) Filed: **Mar. 23, 2004**

(30) **Foreign Application Priority Data**

Sep. 30, 2003	(JP)	2003-028754
Sep. 30, 2003	(JP)	2003-028755
Sep. 30, 2003	(JP)	2003-028756

(51) **LOC (8) Cl.** **15-03**

(52) **U.S. Cl.** **D15/24**

(58) **Field of Search** D15/22-26, 28, D15/33; 180/89.1, 89.12, 235, 900; 414/694, 699, 722-724; 280/400

(56) **References Cited**

U.S. PATENT DOCUMENTS

D354,497 S	*	1/1995	Kusunoki et al.	D15/25
D431,253 S	*	9/2000	Marchetta et al.	D15/25
D436,605 S	*	1/2001	Shaw et al.	D15/30
D440,236 S	*	4/2001	Kraft et al.	D15/28
D450,067 S	*	11/2001	Murakami et al.	D15/25
D450,331 S	*	11/2001	Murakami et al.	D15/25
D450,717 S	*	11/2001	Muraro	D15/25
D460,974 S	*	7/2002	Murakami et al.	D15/25
D473,571 S	*	4/2003	Kuwae et al.	D15/25
D474,481 S	*	5/2003	Hara	D15/25

* cited by examiner

Primary Examiner—Mitchell Siegel
(74) *Attorney, Agent, or Firm*—Oblon, Spivak, McClelland, Maier & Neustadt, P.C.

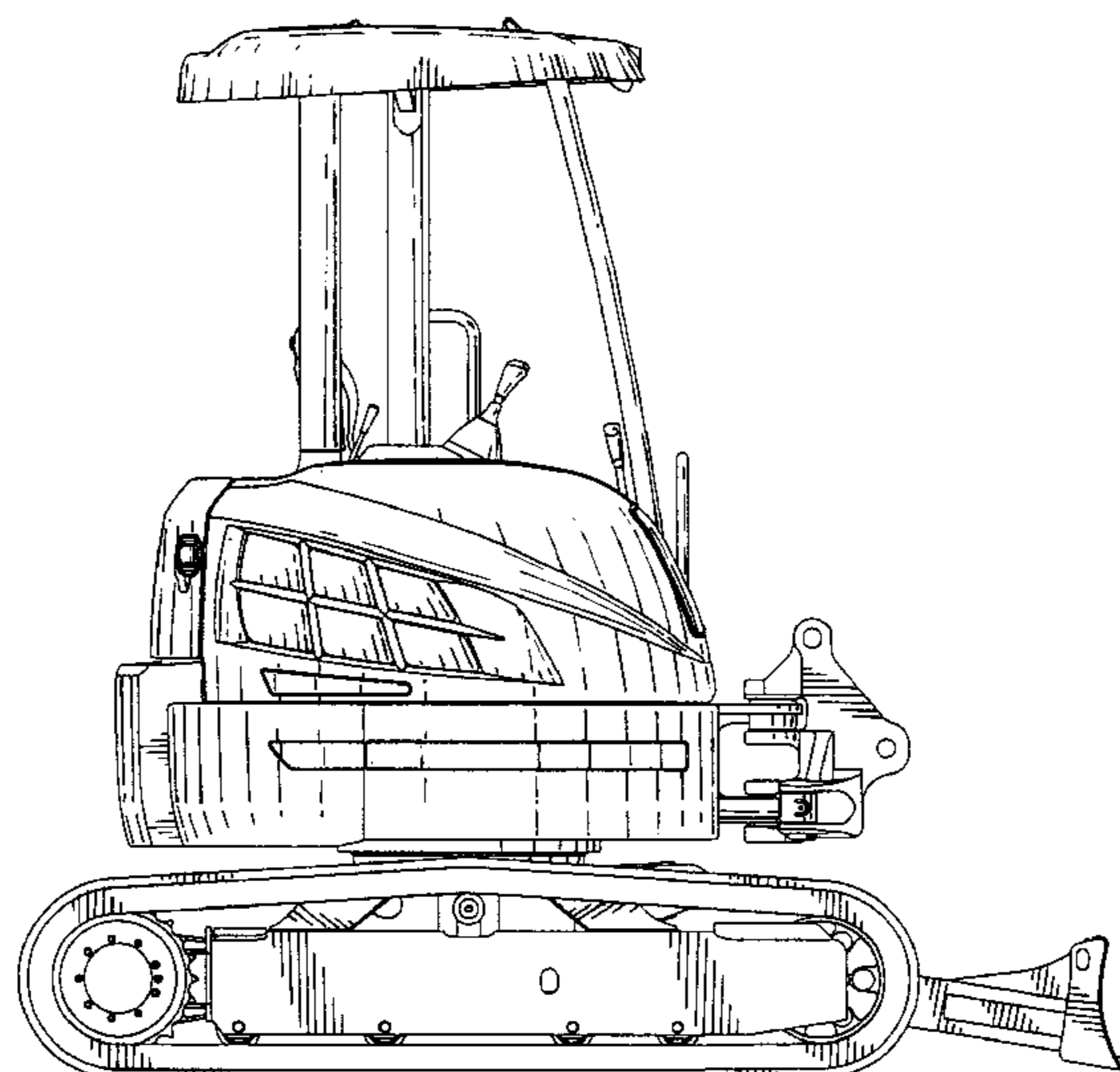
(57) **CLAIM**

The ornamental design for a traveling body for construction machine, or the like, as shown and described.

DESCRIPTION

FIG. 1 is a front elevational view of a traveling body for construction machine, showing our design;
 FIG. 2 is a rear elevational view thereof;
 FIG. 3 is a left side elevational view thereof;
 FIG. 4 is a right side elevational view thereof;
 FIG. 5 is a top plan view thereof;
 FIG. 6 is a bottom plan view thereof;
 FIG. 7 is an enlarged sectional view taken on line A—A in FIG. 4.
 FIG. 8 is a front elevational view of a second embodiment thereof;
 FIG. 9 is a rear elevational view thereof;
 FIG. 10 is a left side elevational view thereof;
 FIG. 11 is a right side elevational view thereof;
 FIG. 12 is a top plan view thereof;
 FIG. 13 is a bottom plan view thereof;
 FIG. 14 is an enlarged sectional view taken on line A—A in FIG. 11.
 FIG. 15 is a front elevational view of a third embodiment thereof;
 FIG. 16 is a rear elevational view thereof;
 FIG. 17 is a left side elevational view thereof;
 FIG. 18 is a right side elevational view thereof;
 FIG. 19 is a top plan view thereof;
 FIG. 20 is a bottom plan view thereof; and,
 FIG. 21 is an enlarged sectional view taken on line A—A in FIG. 18.

1 Claim, 12 Drawing Sheets



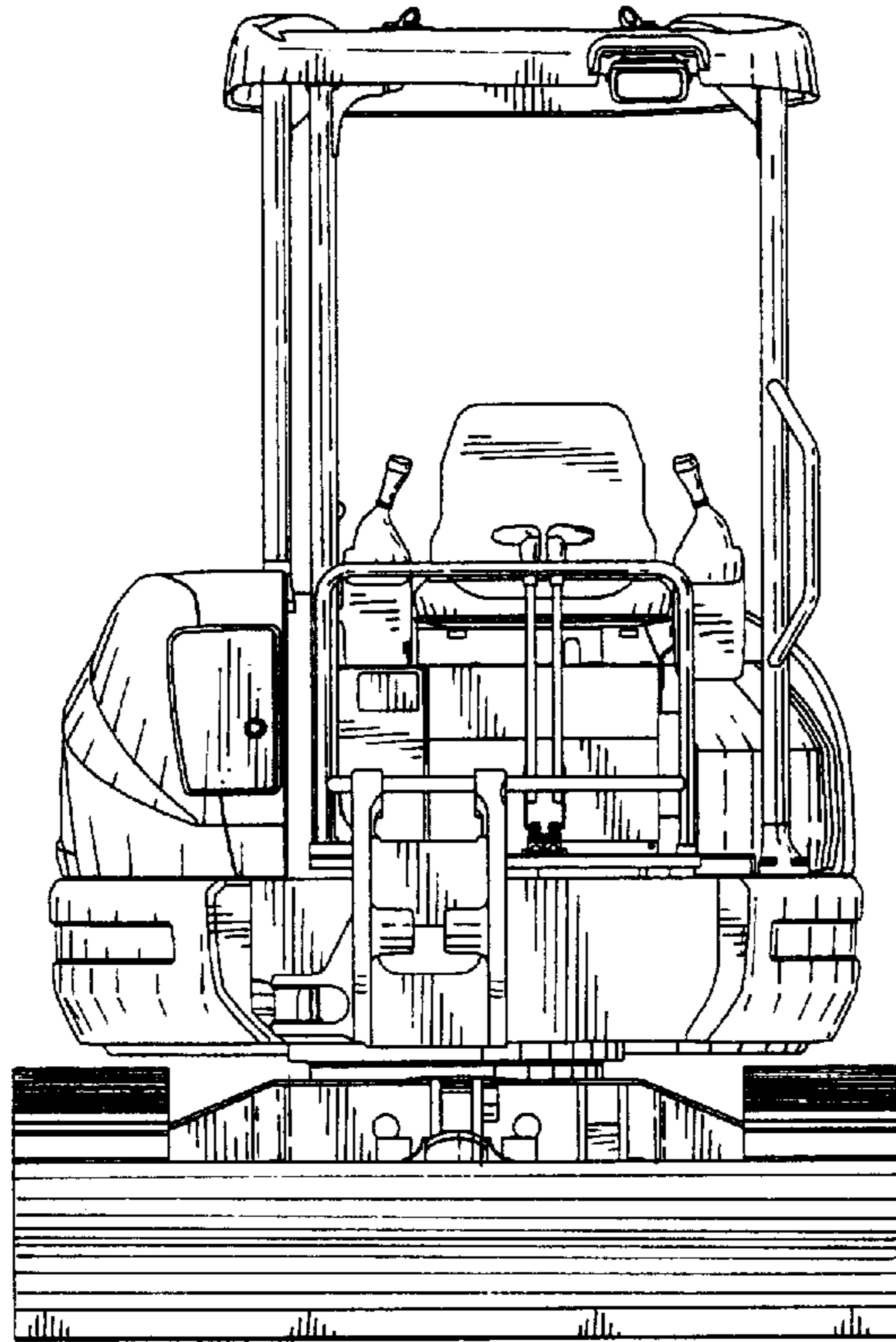


FIG. 1

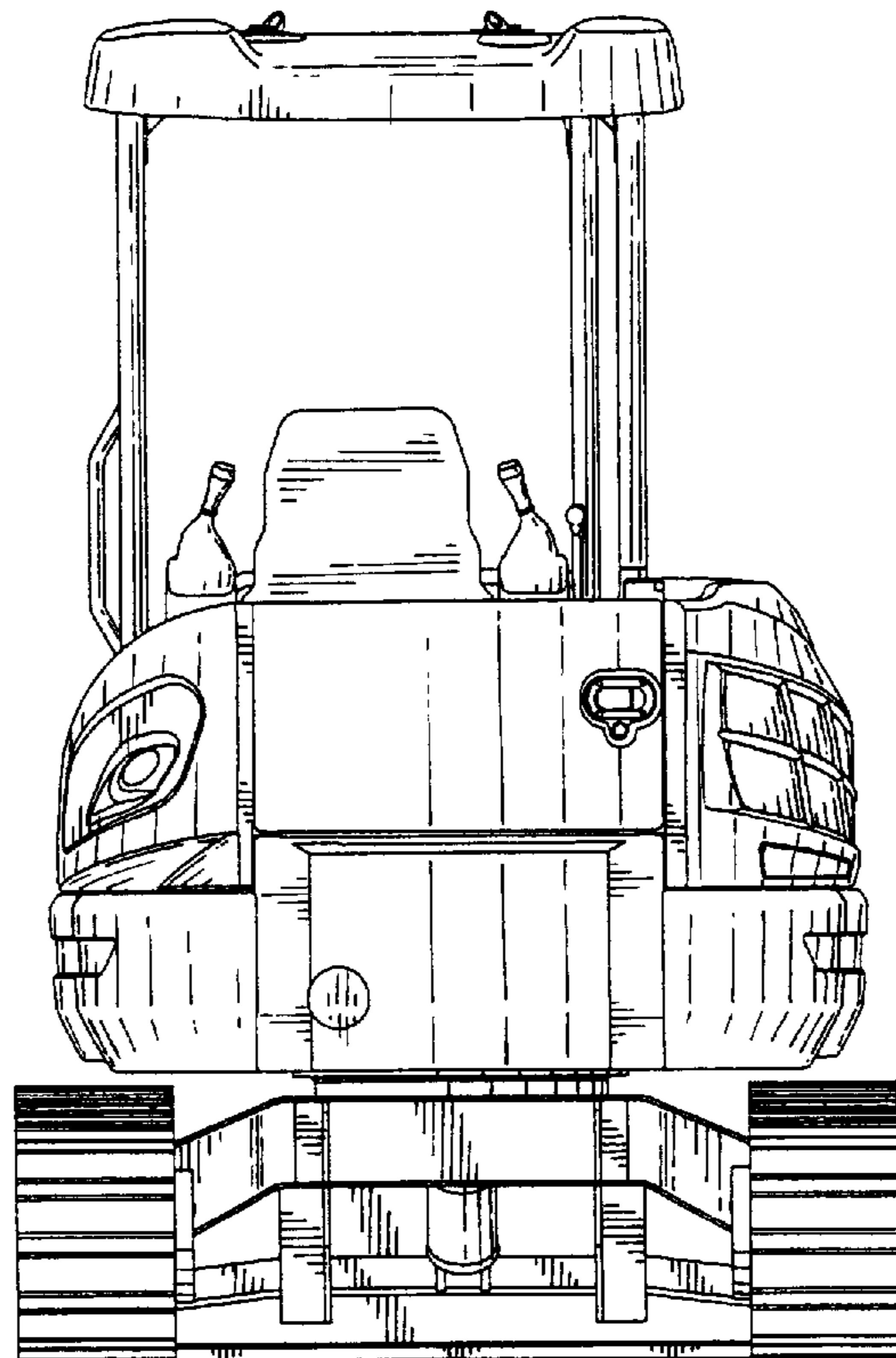


FIG. 2

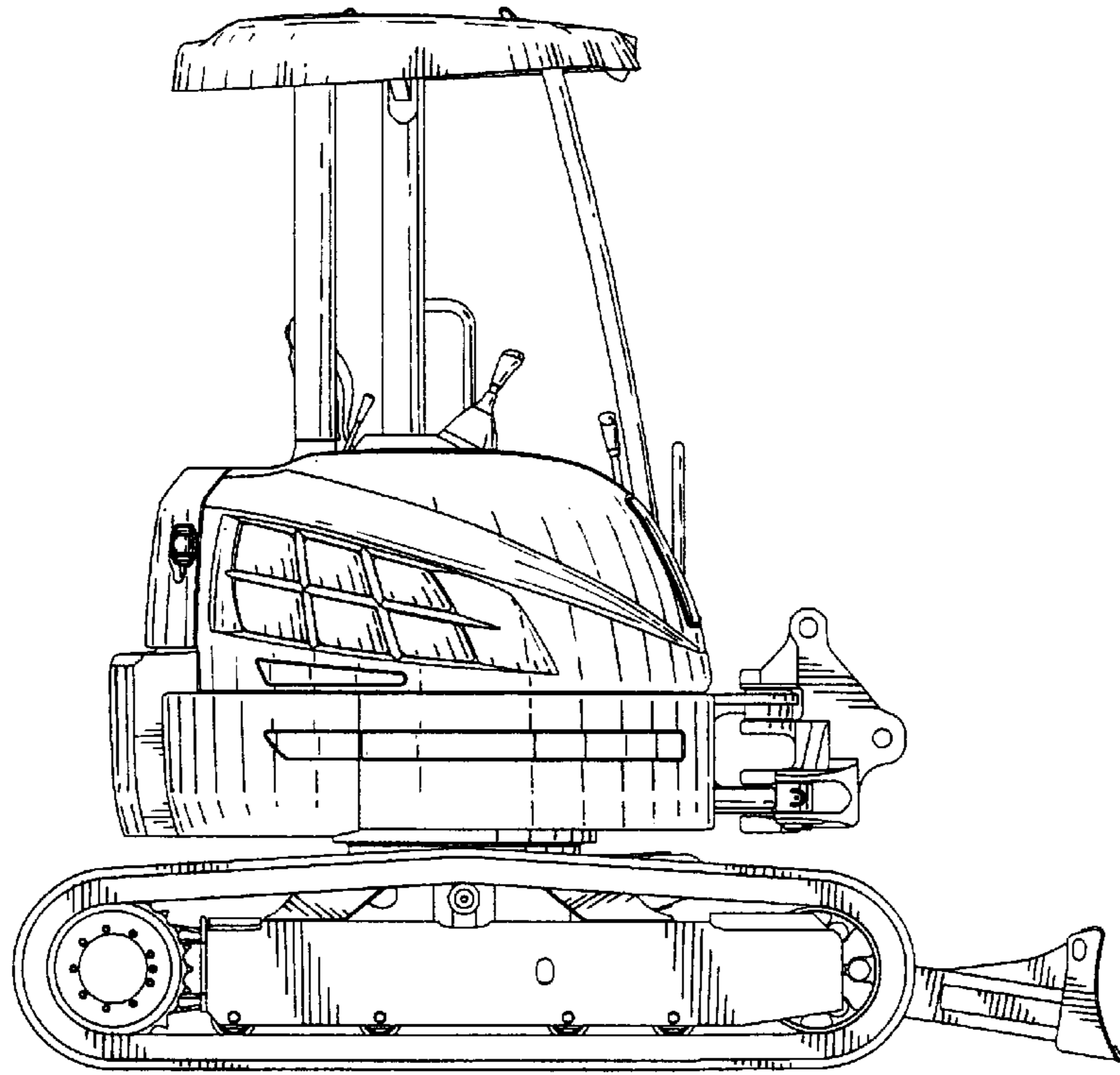


FIG. 3

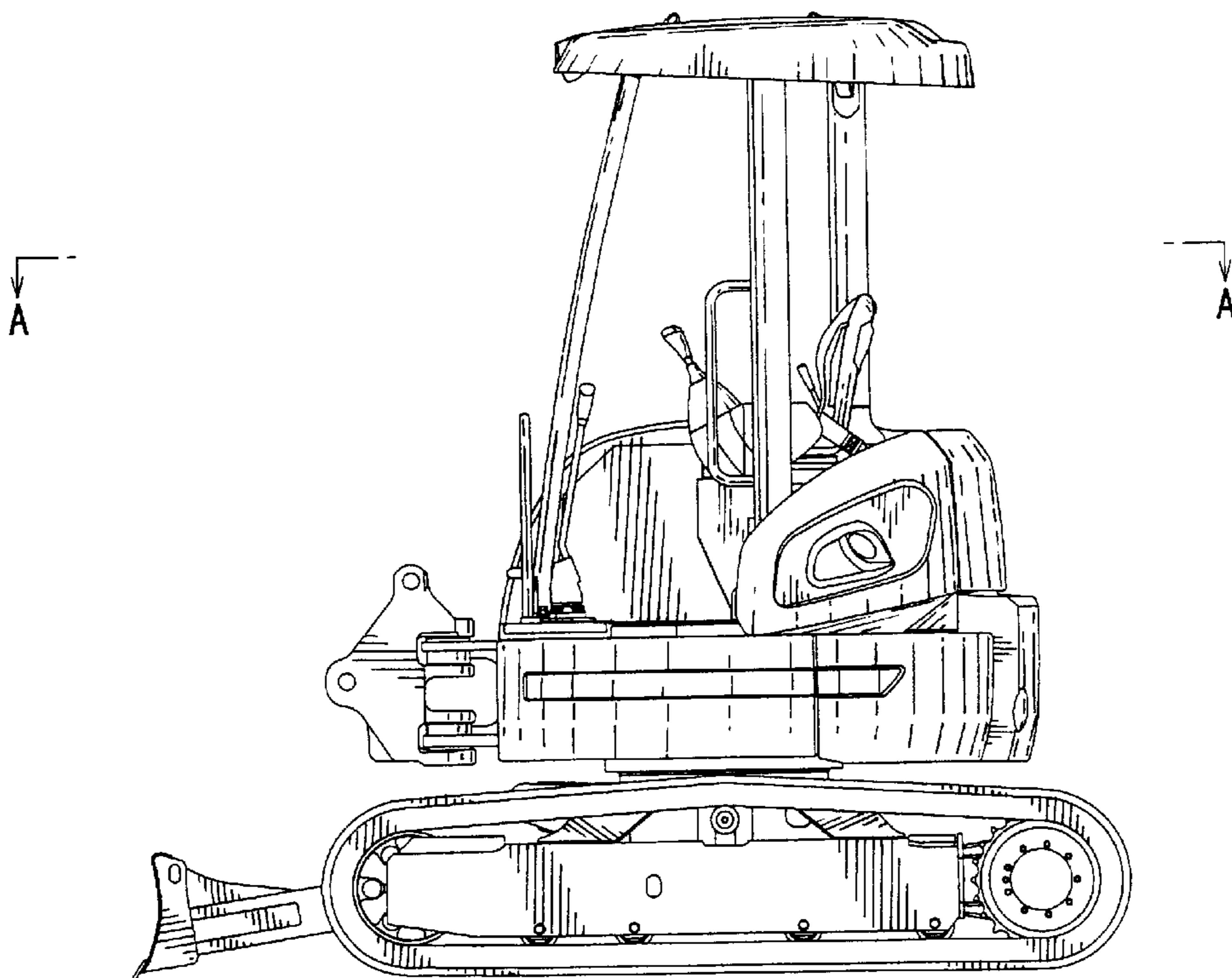


FIG. 4

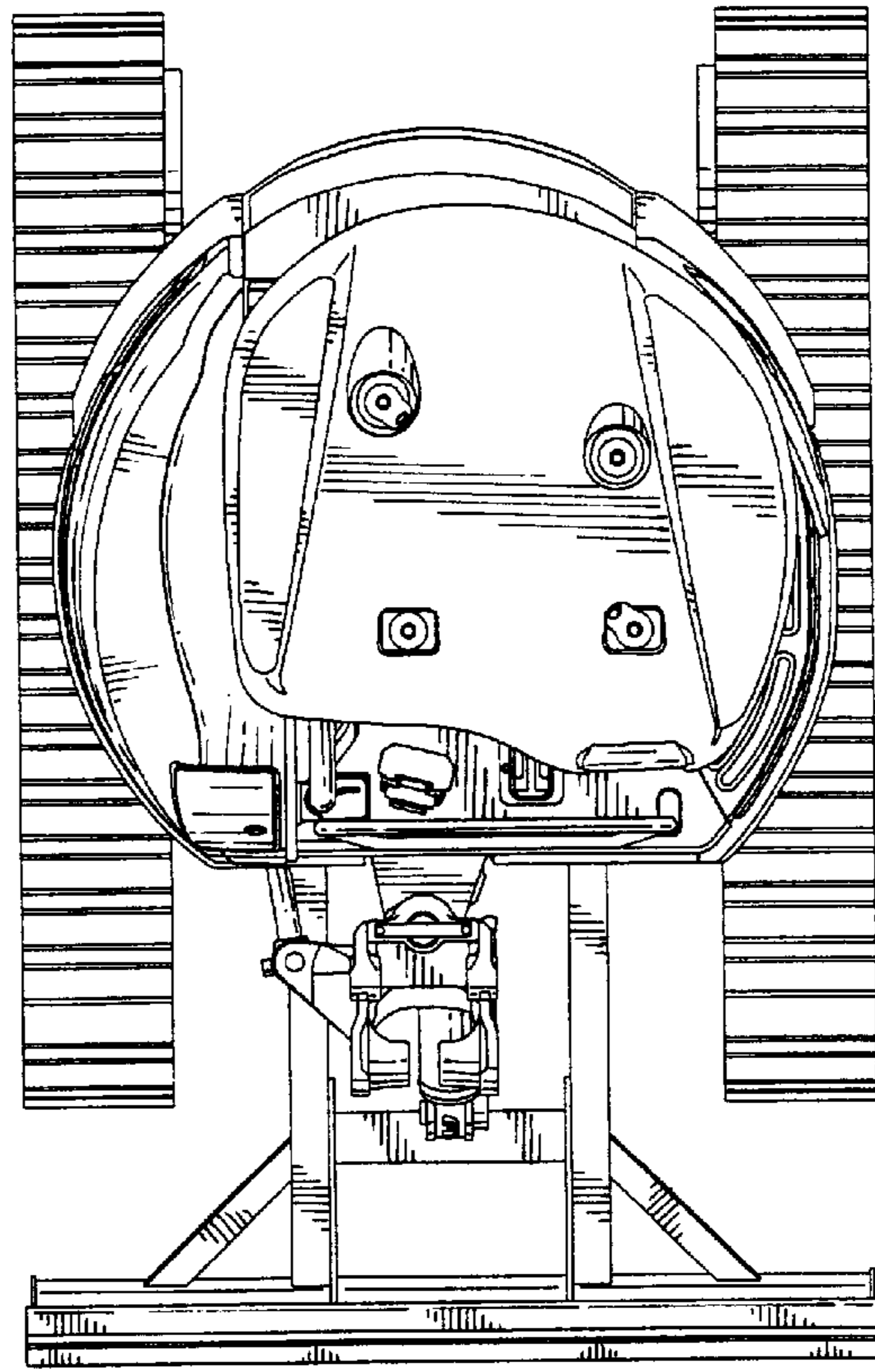


FIG. 5

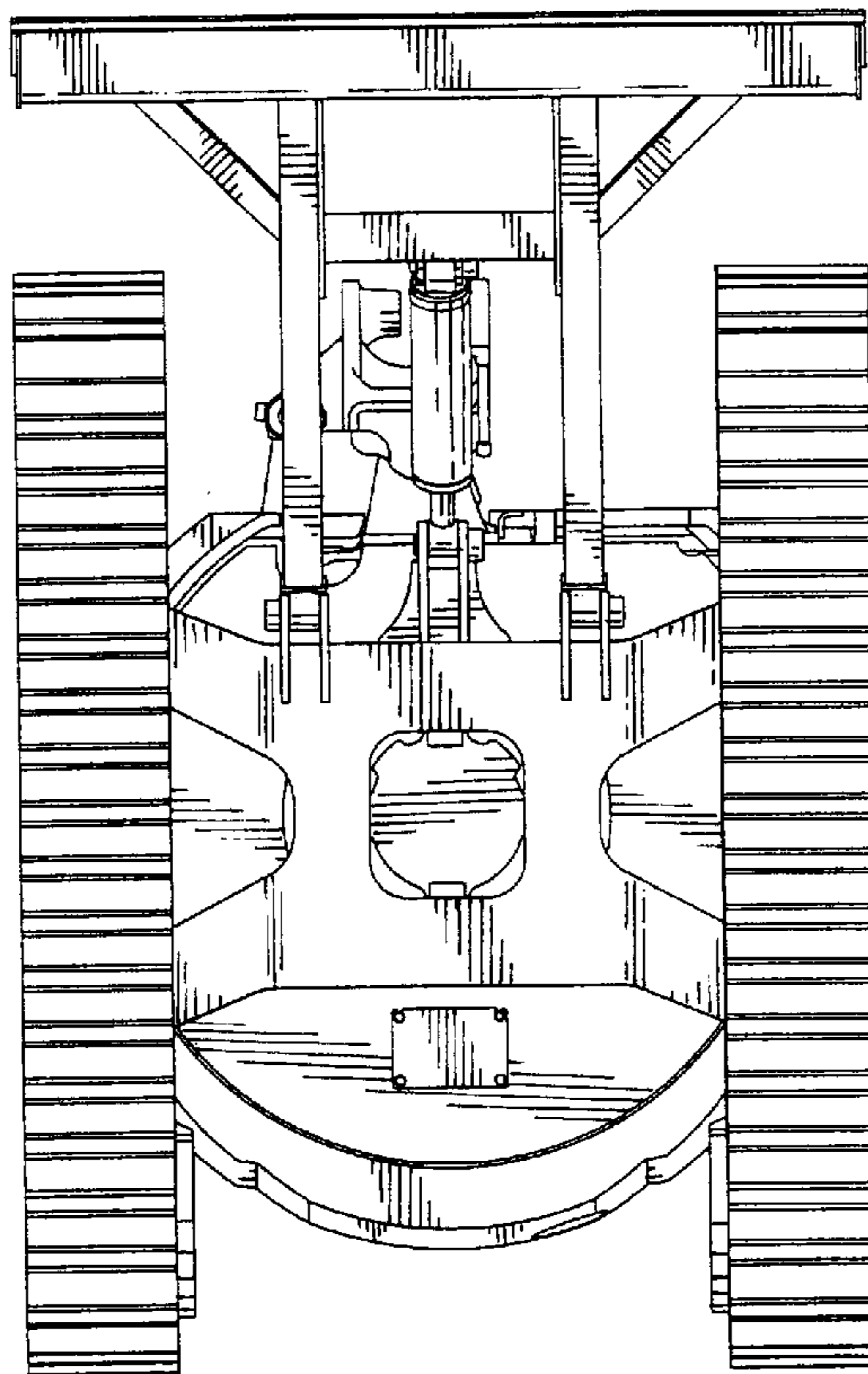


FIG. 6

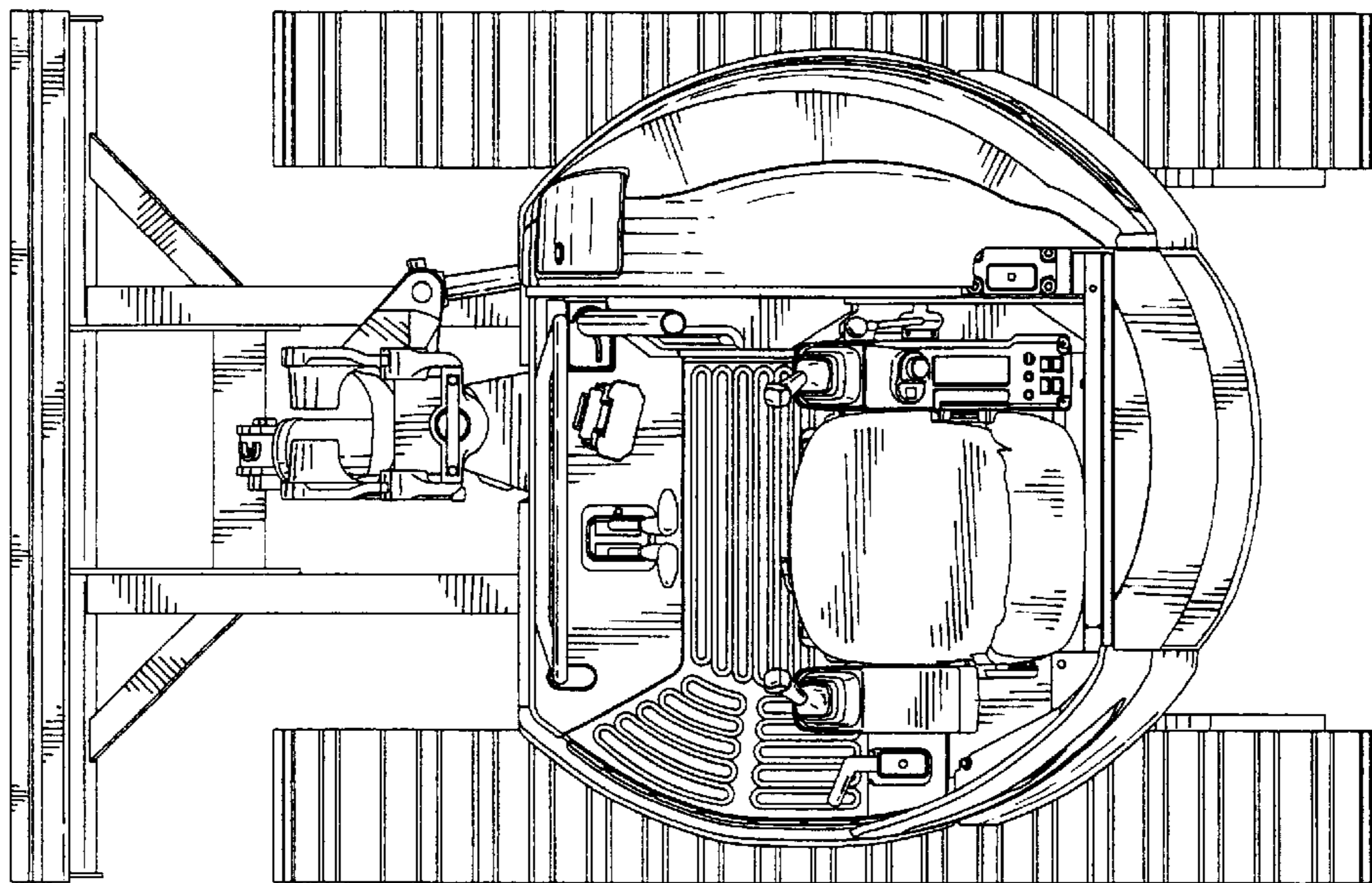


FIG. 7

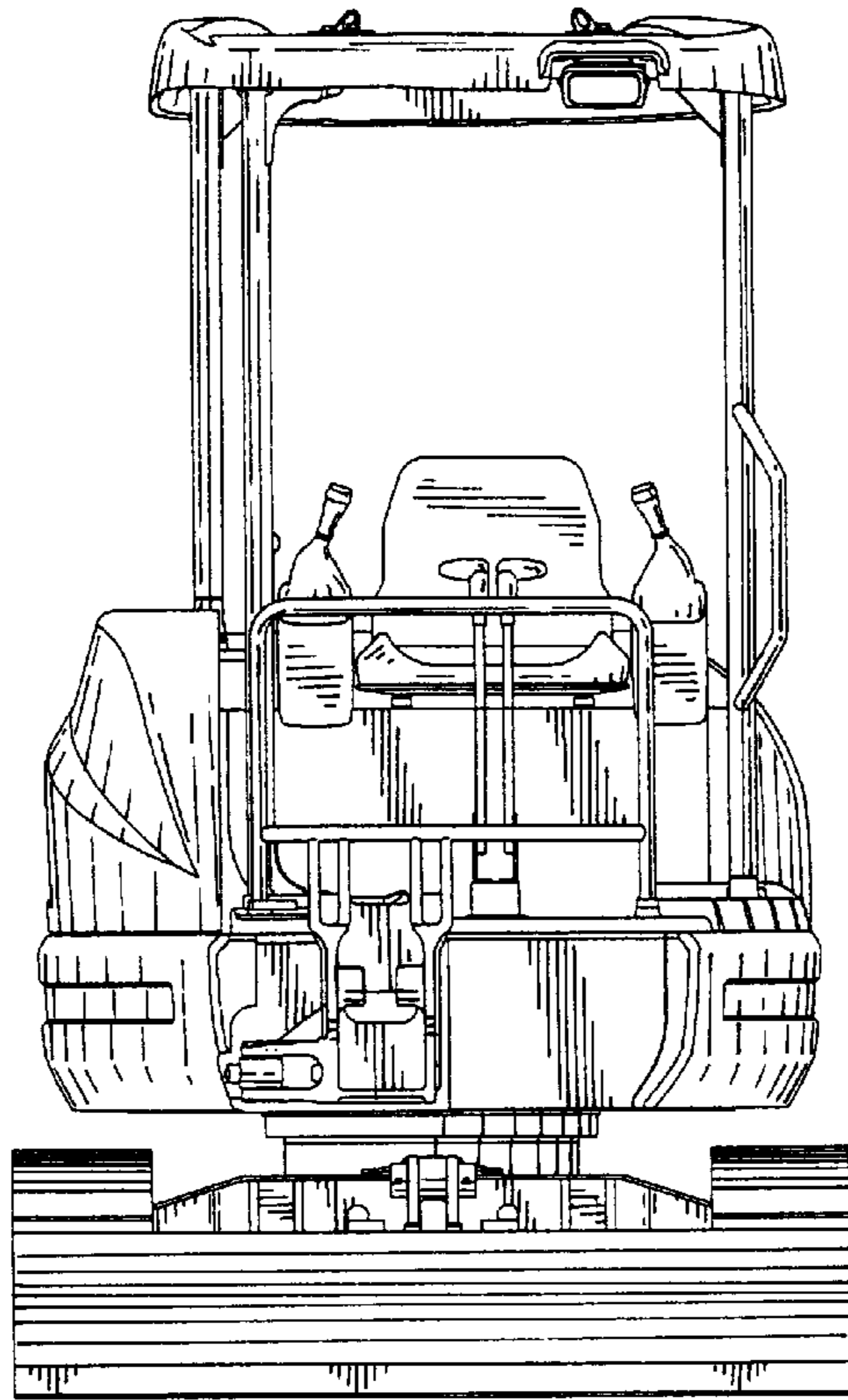


FIG. 8

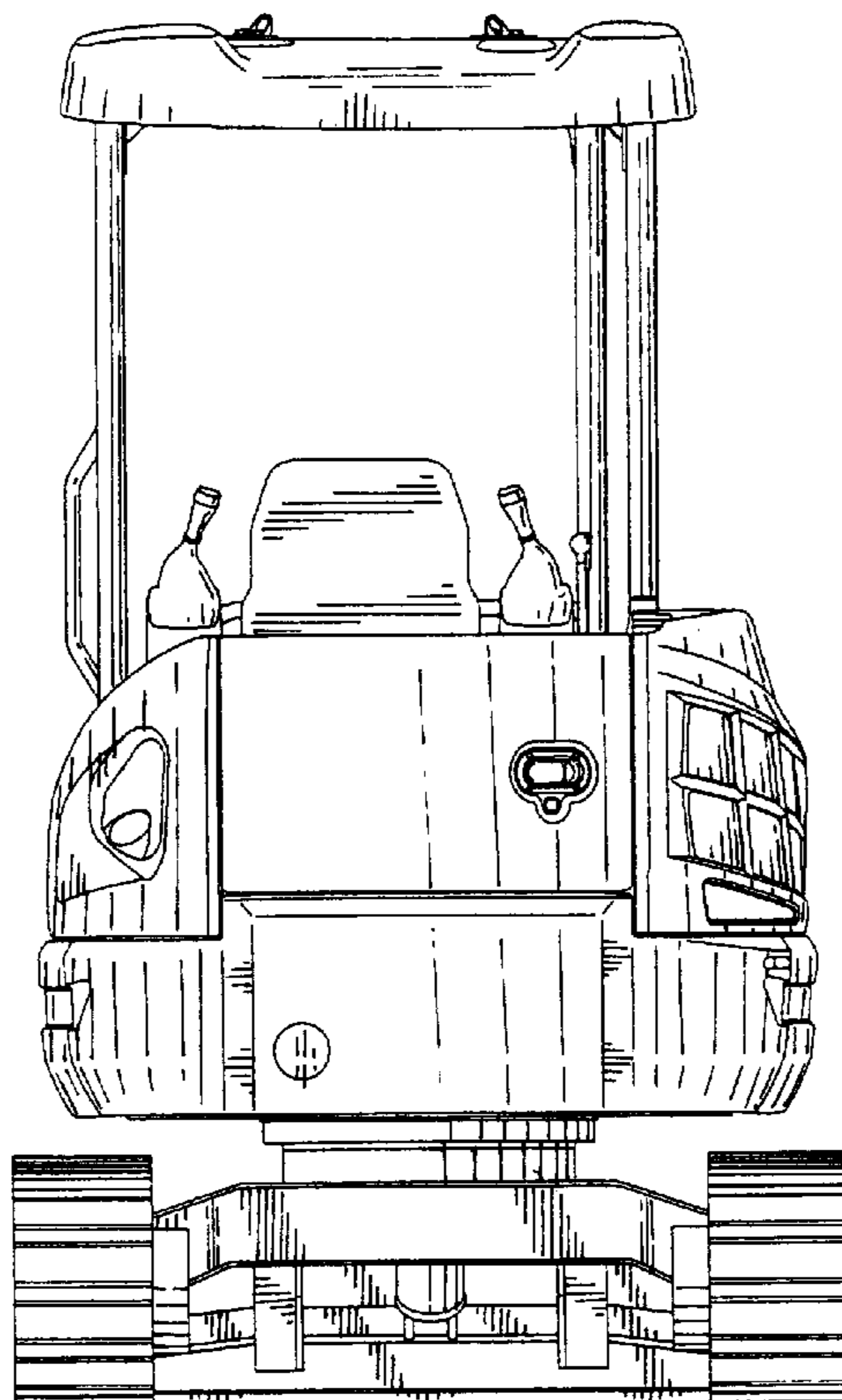


FIG. 9

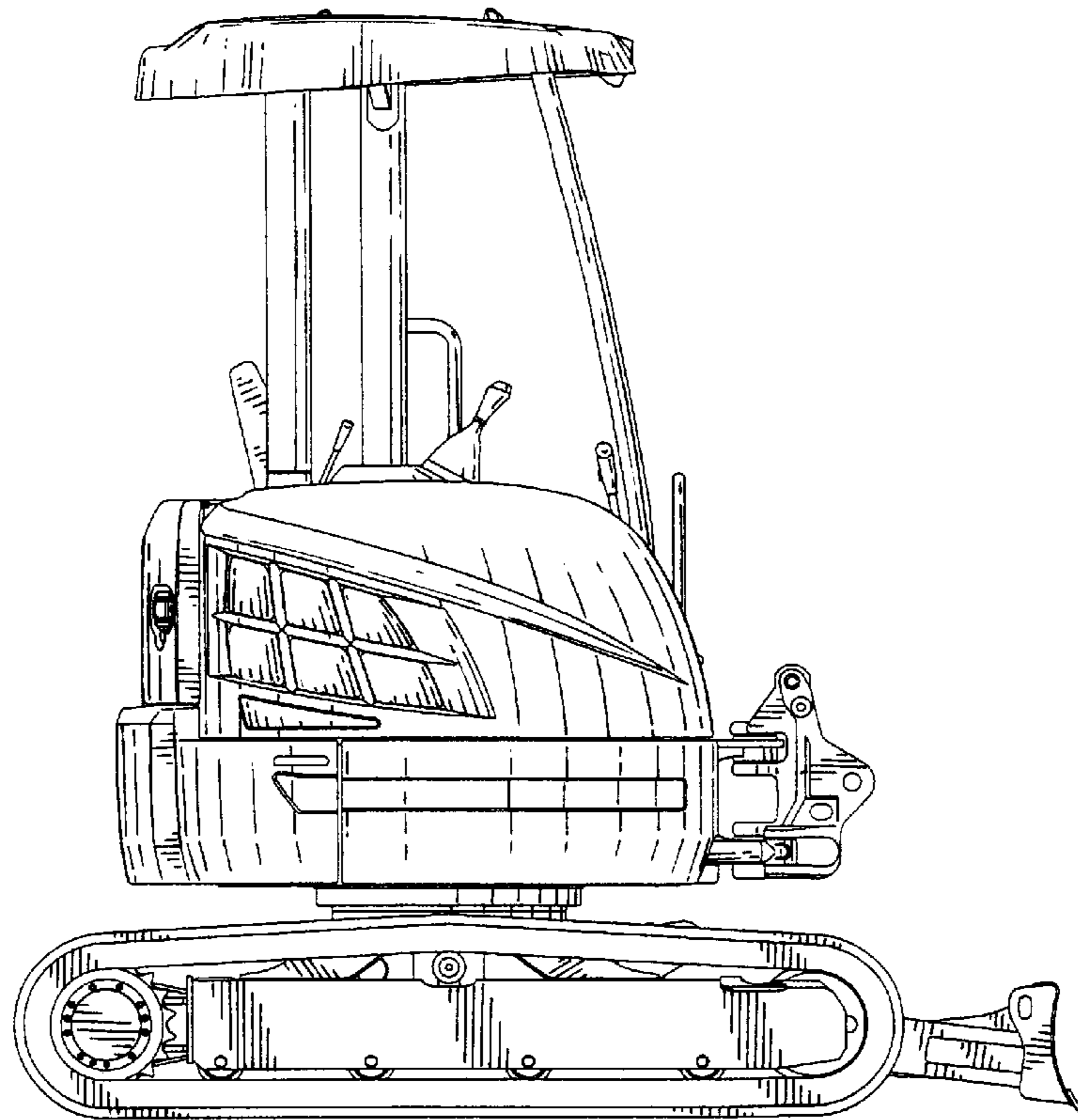


FIG. 10

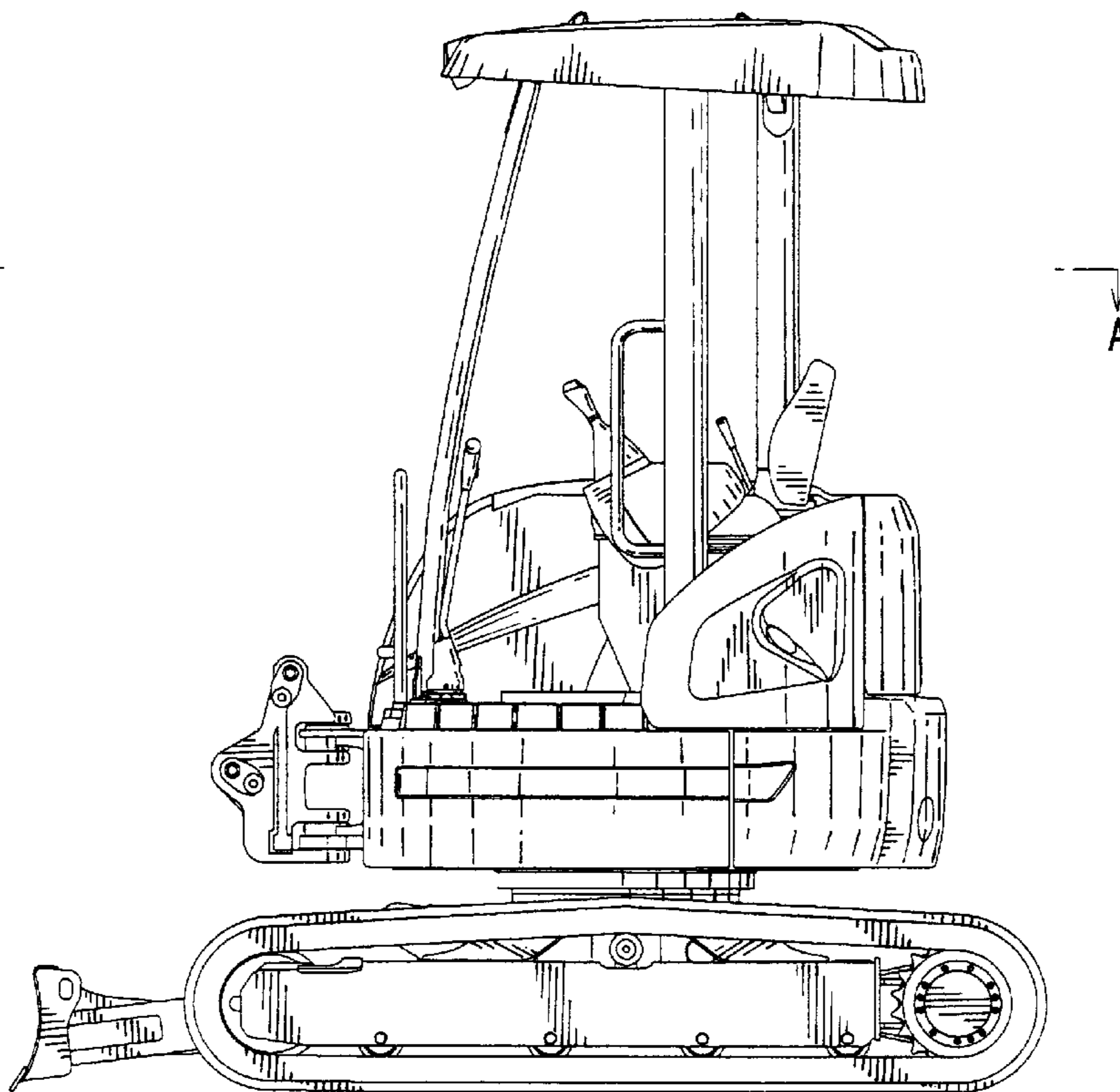


FIG. 11

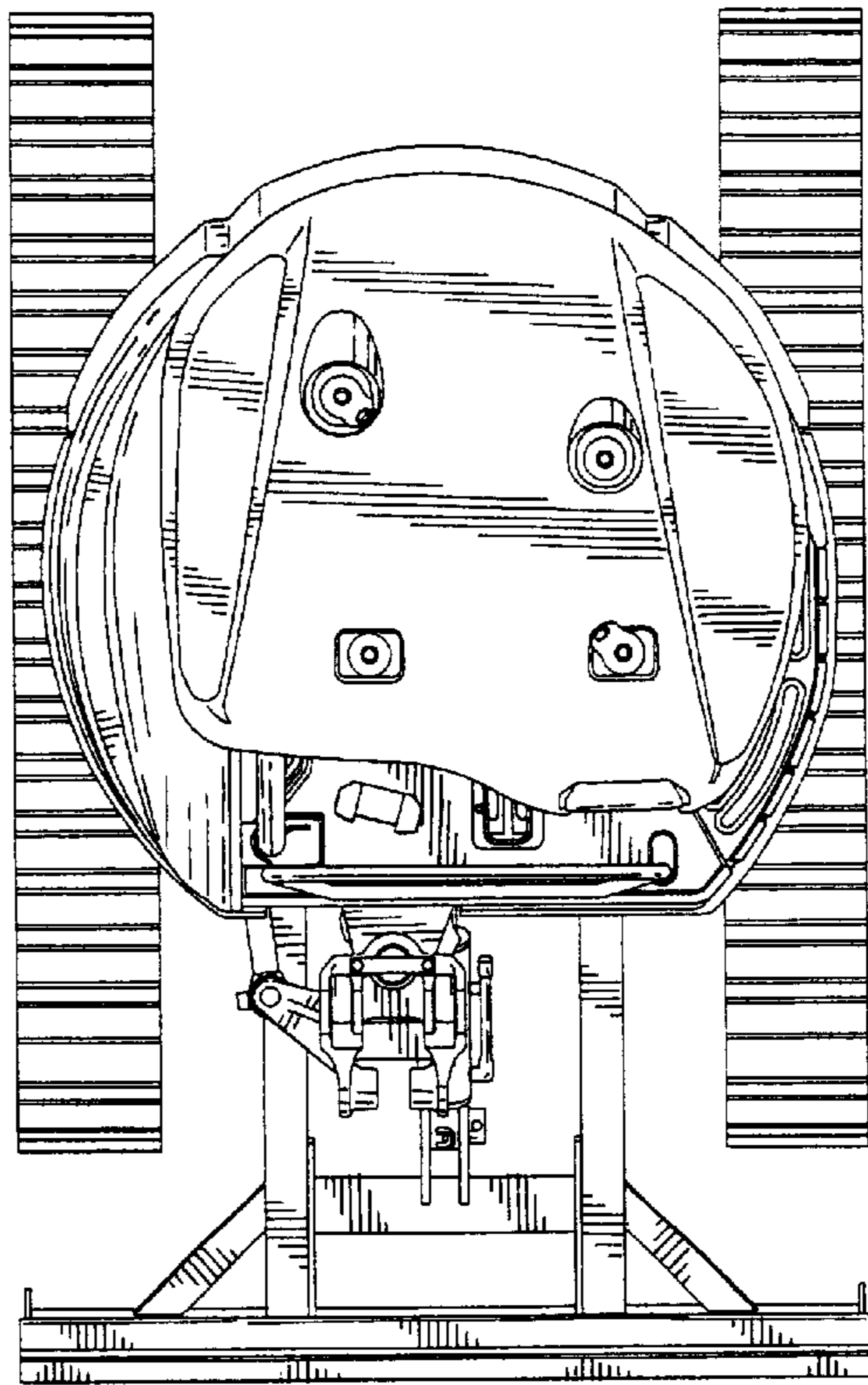


FIG. 12

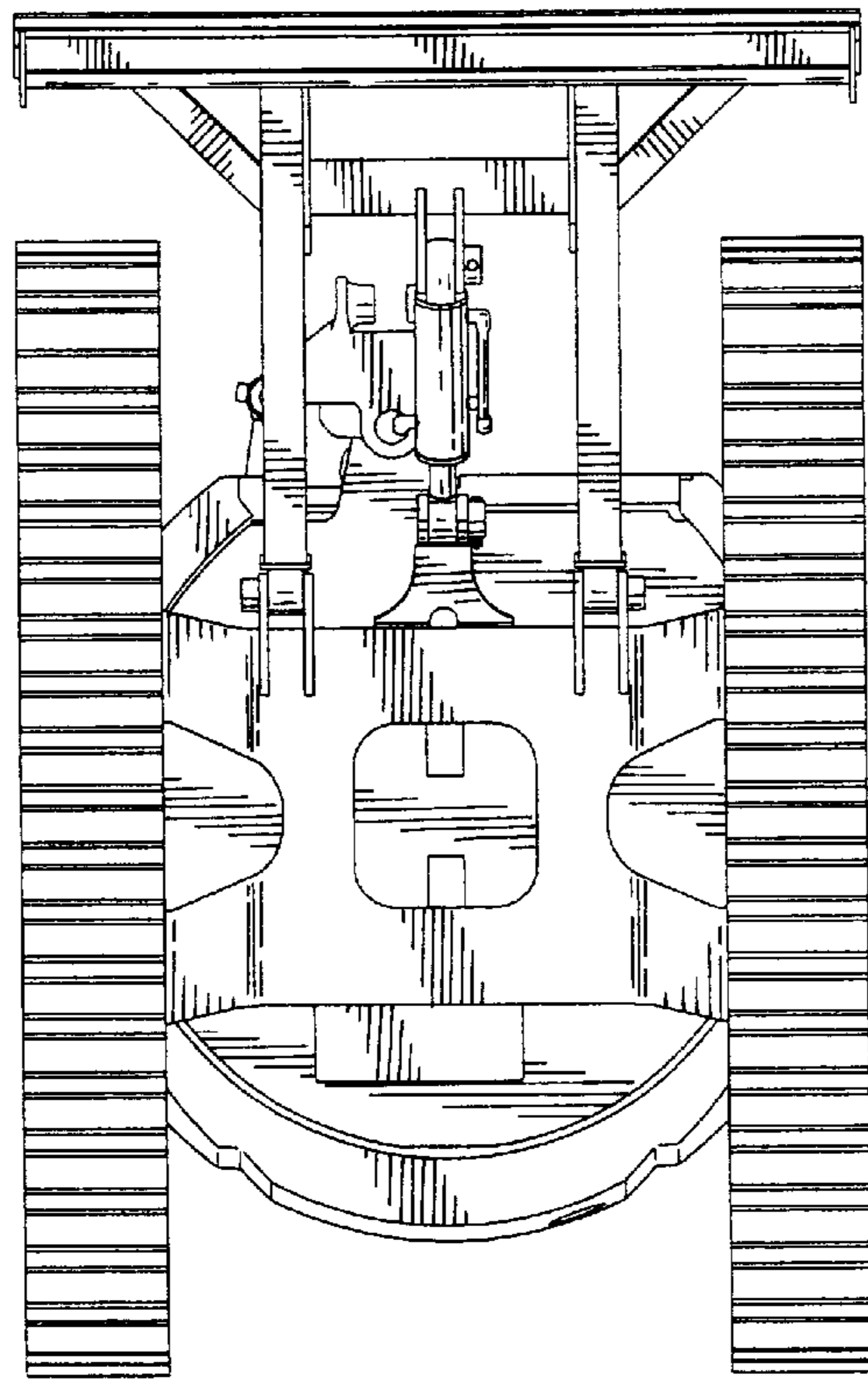


FIG. 13

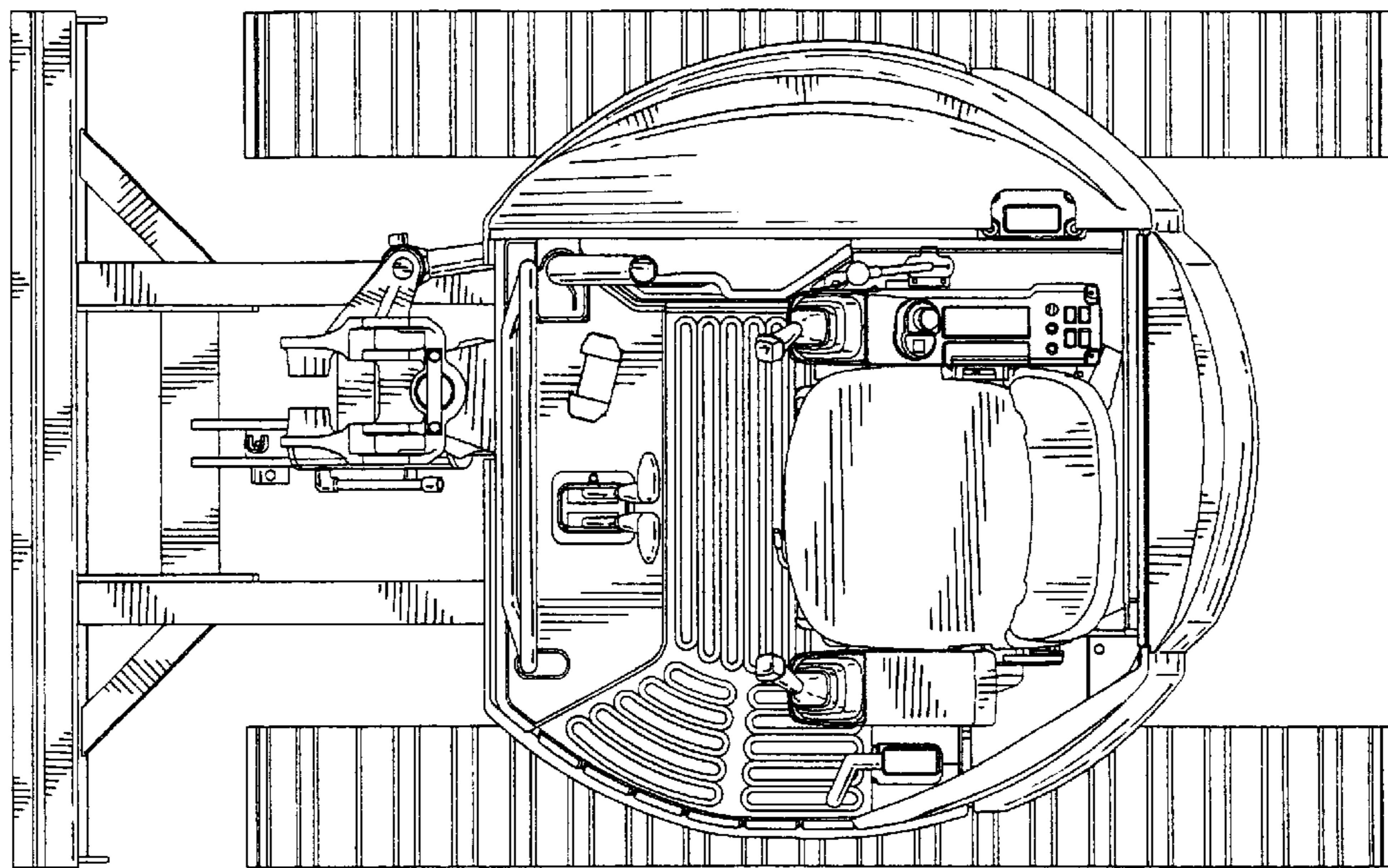


FIG. 14

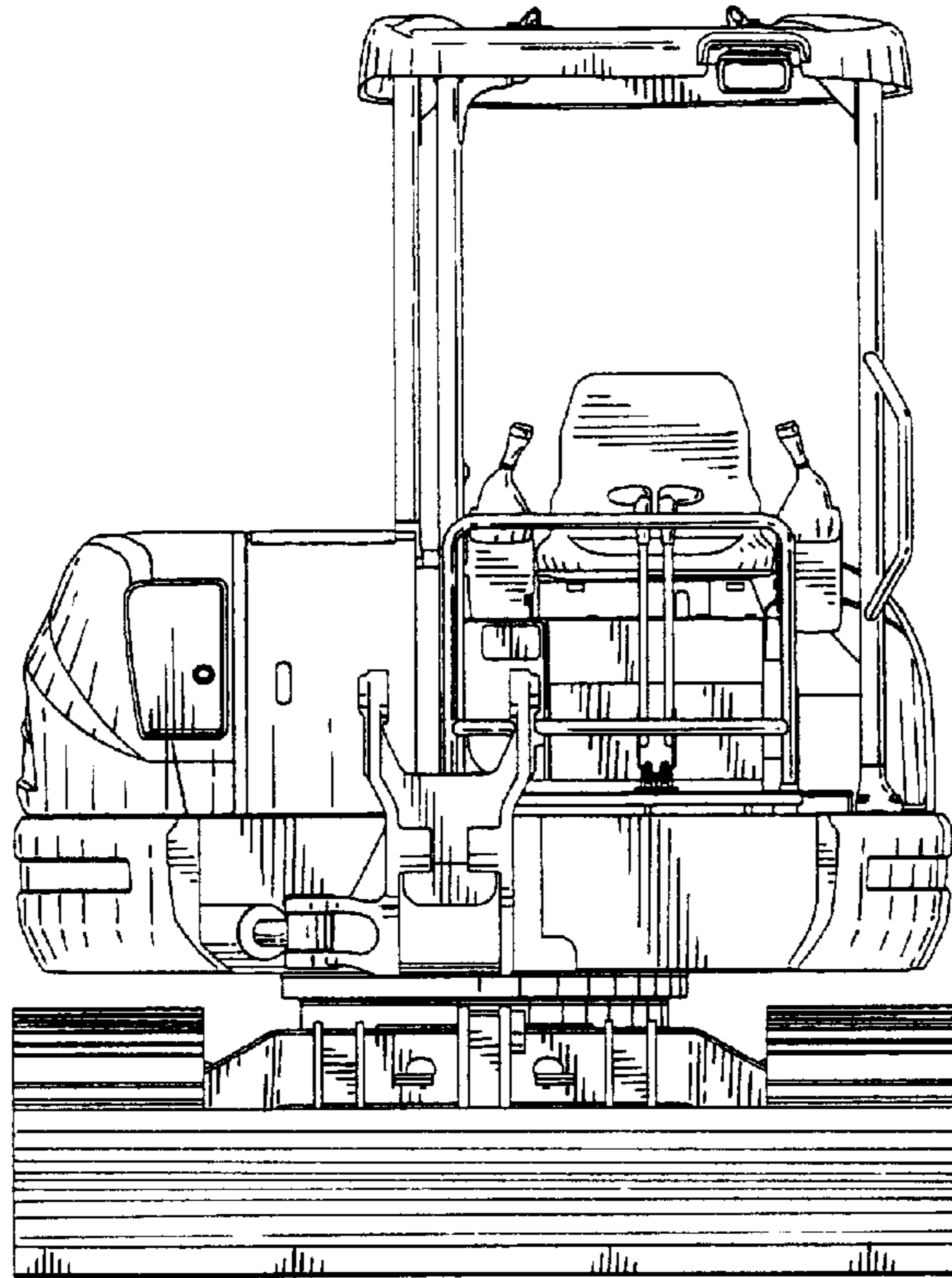


FIG. 15

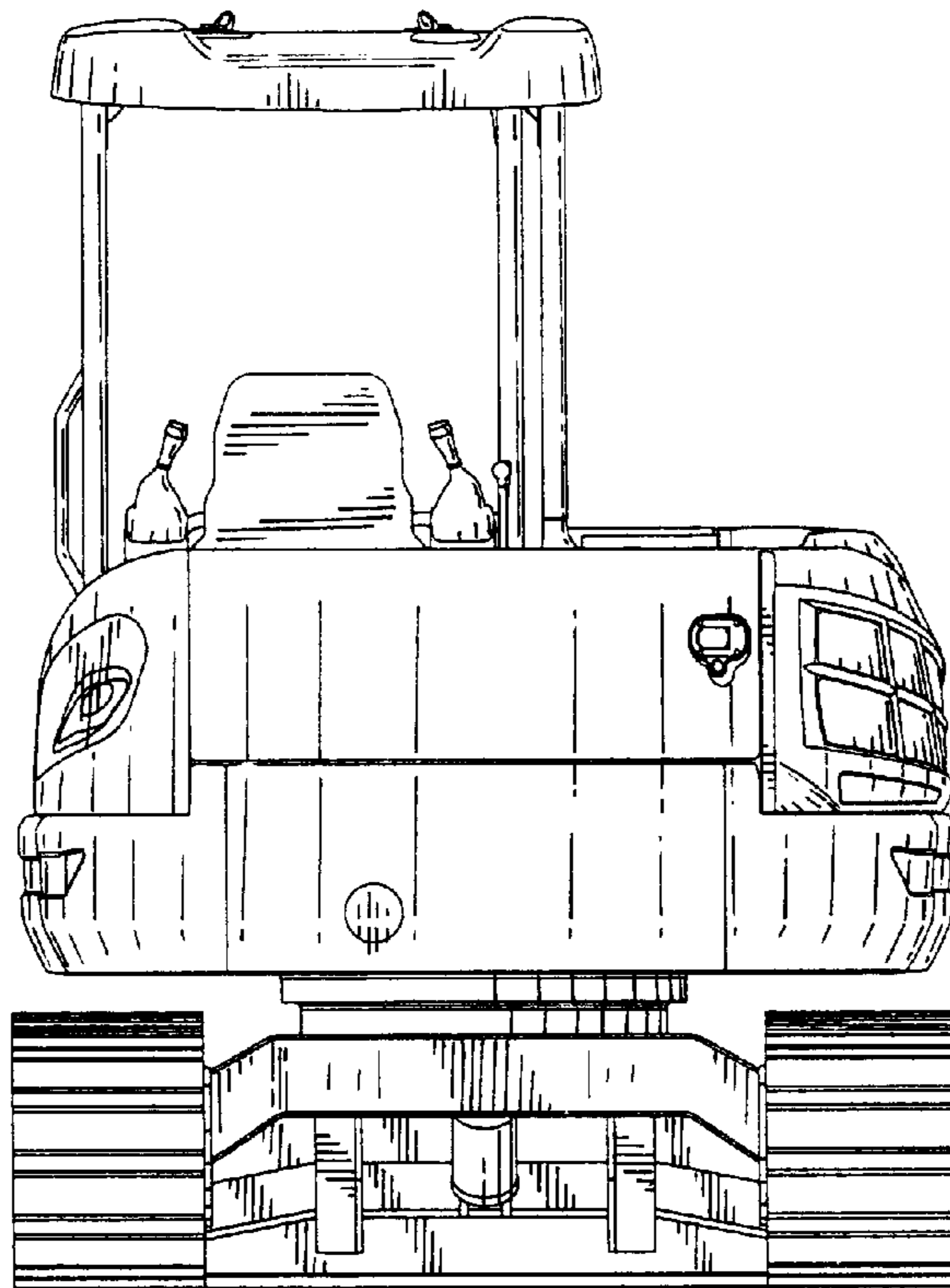


FIG. 16

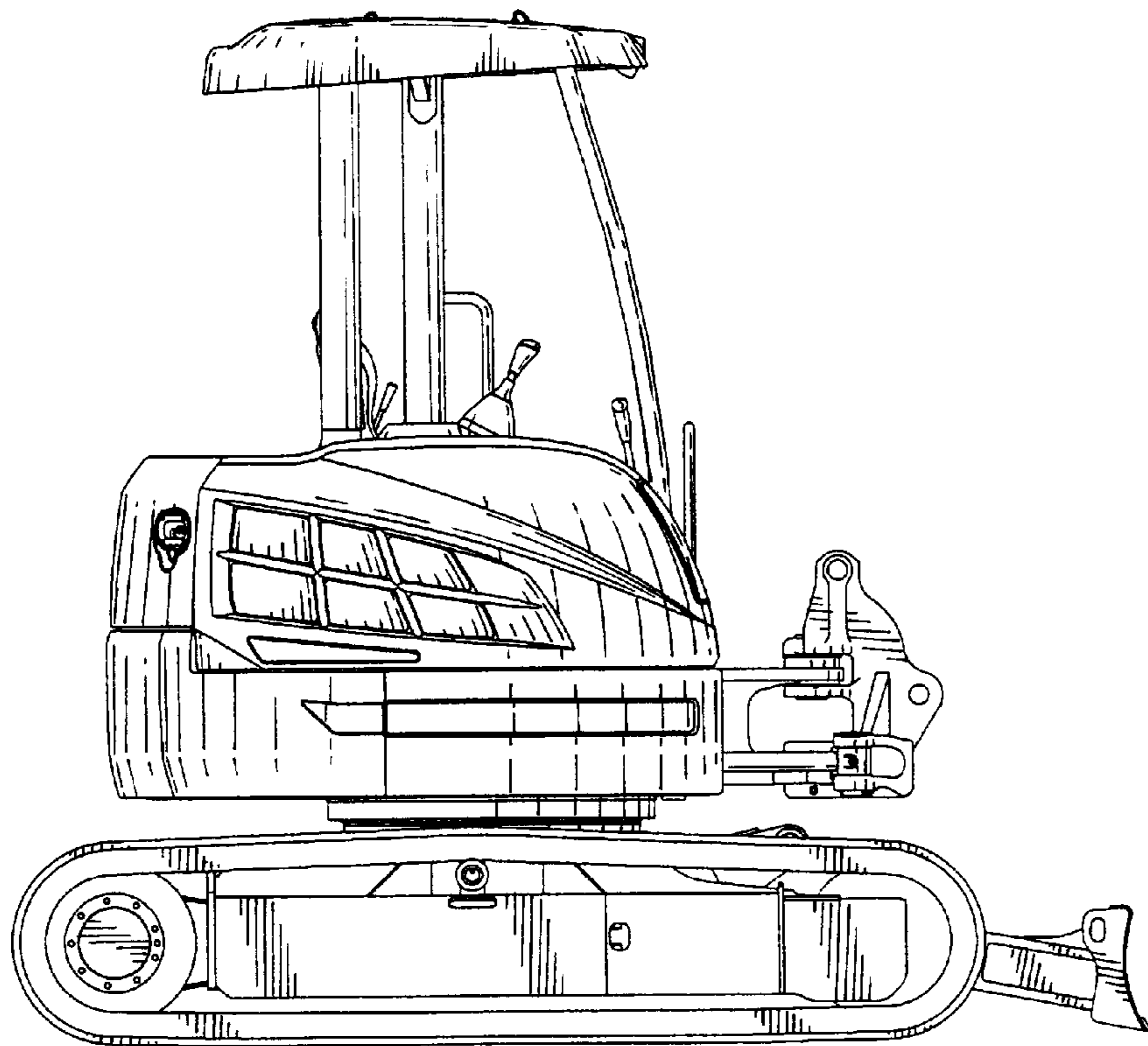


FIG. 17

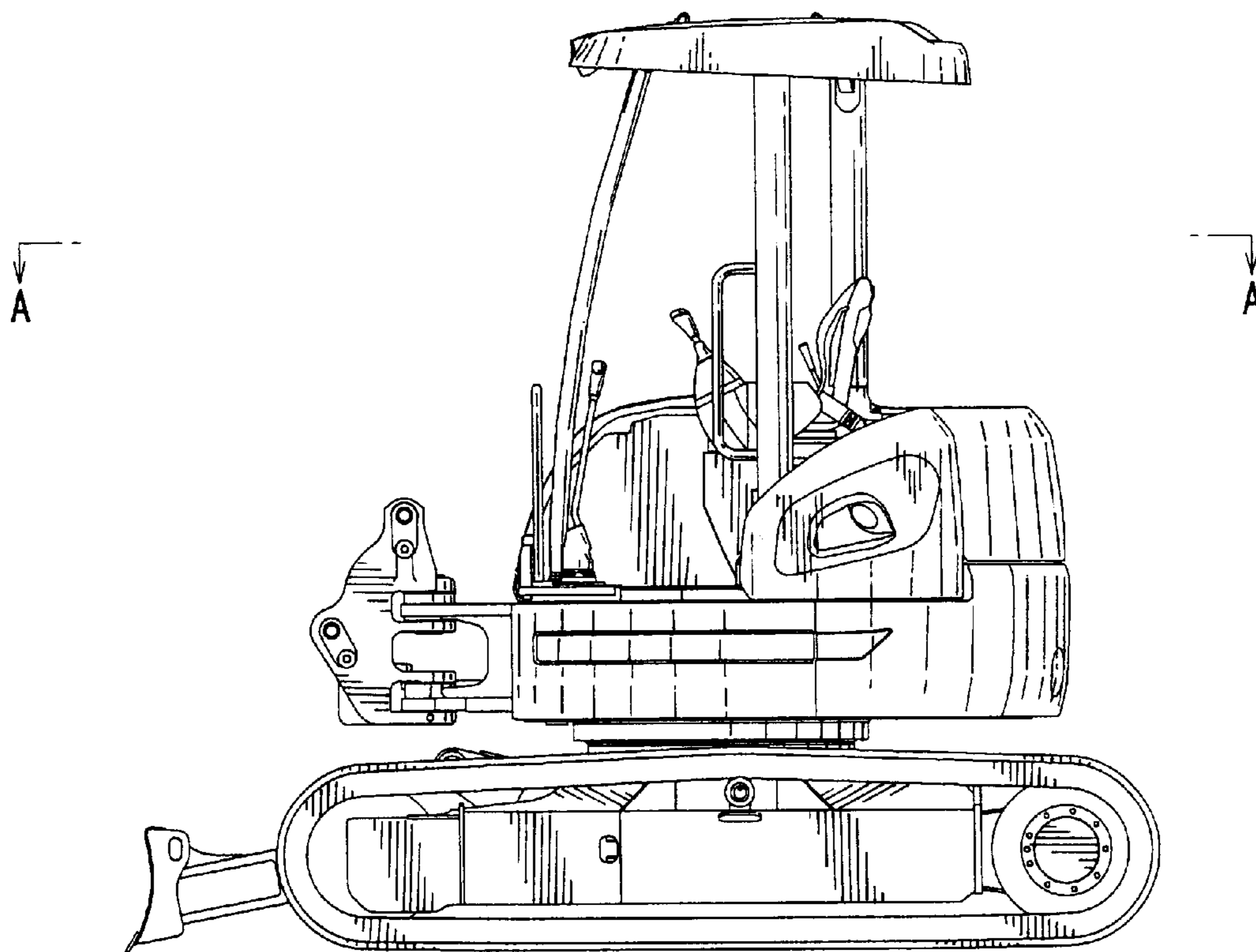


FIG. 18

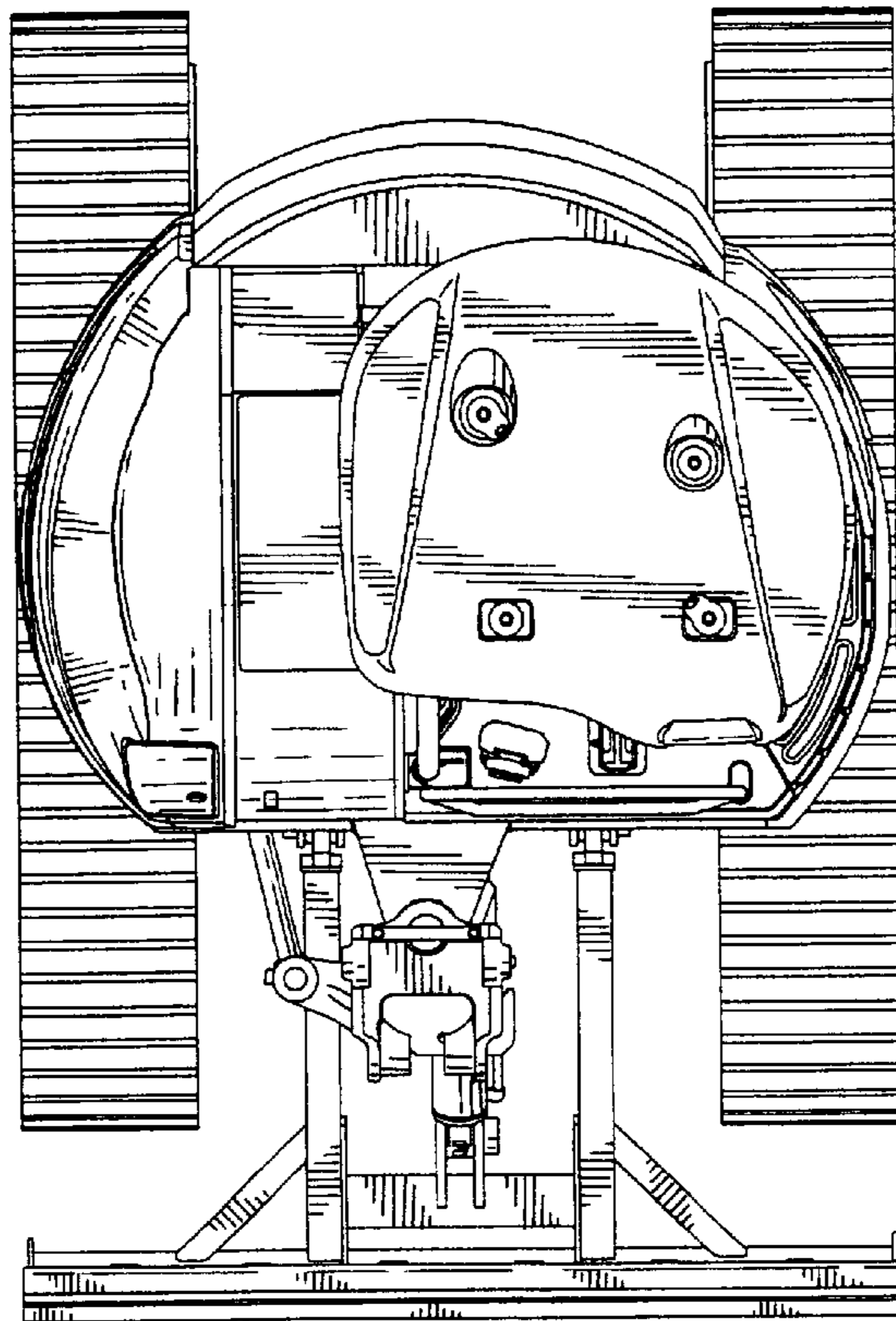


FIG. 19

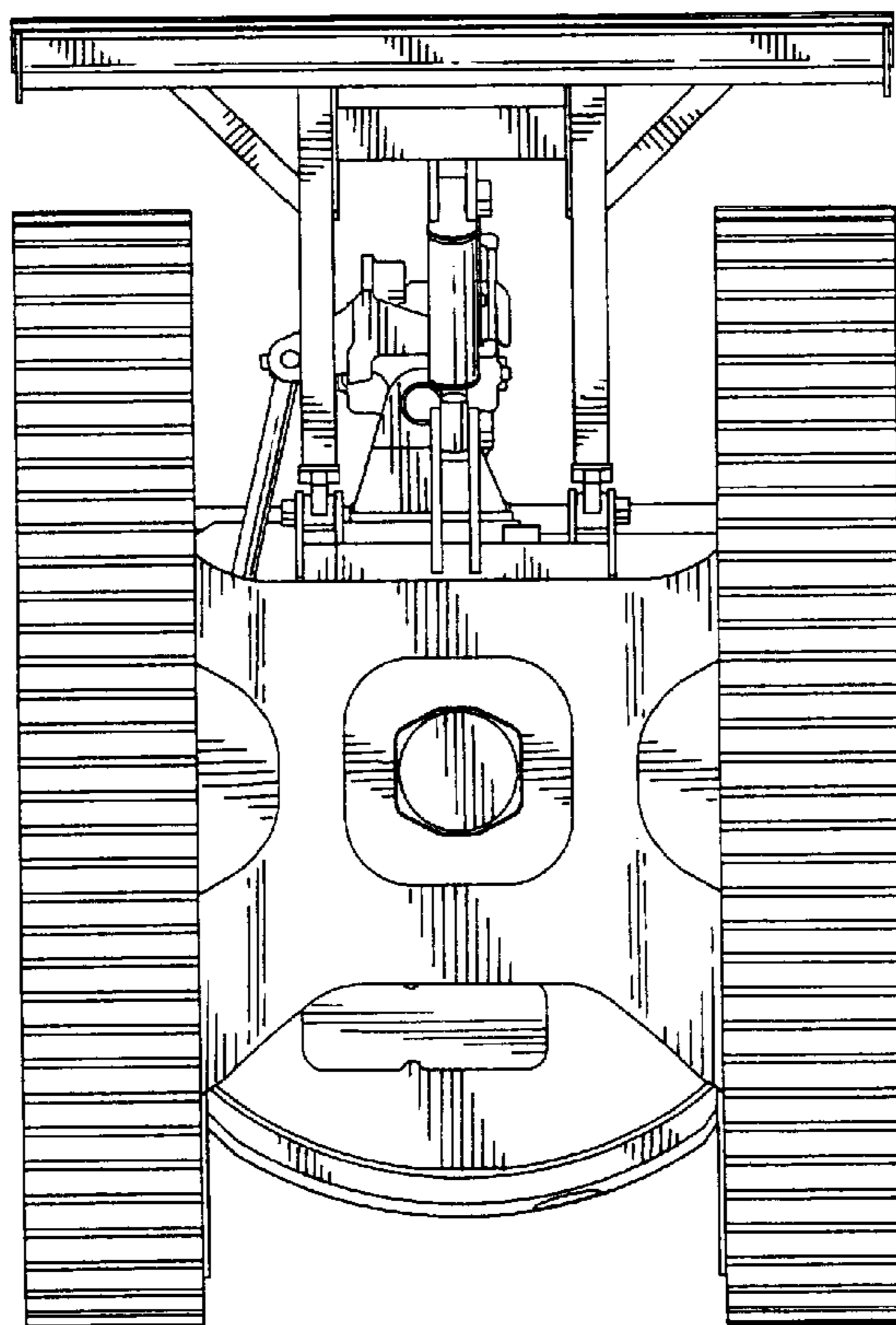


FIG. 20

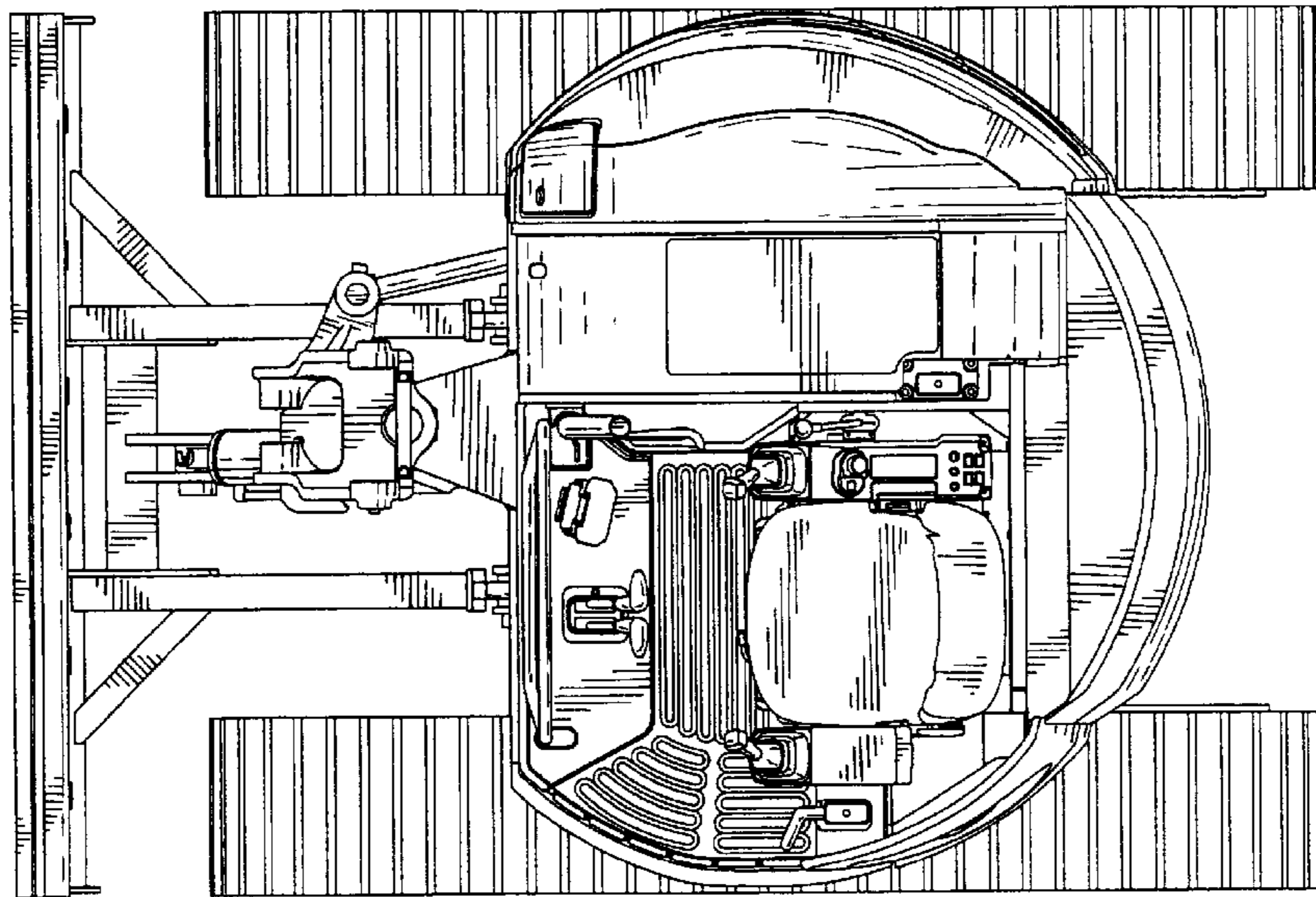


FIG. 21