



US00D509513S

(12) **United States Design Patent** (10) **Patent No.:** **US D509,513 S**
Henssler et al. (45) **Date of Patent:** **** Sep. 13, 2005**

(54) **LAWN-MOWER**

(75) Inventors: **Heinrich Henssler**, Schwäbisch-Gmünd (DE); **Martin Schultheiss**, Schwäbisch-Gmünd (DE)

(73) Assignee: **Gardena Manufacturing GmbH** (DE)

(**) Term: **14 Years**

(21) Appl. No.: **29/217,335**

(22) Filed: **Nov. 16, 2004**

(30) **Foreign Application Priority Data**

Aug. 11, 2004 (EM) 000214960-0009

(51) **LOC (8) Cl.** **15-03**

(52) **U.S. Cl.** **D15/14**

(58) **Field of Search** D15/10, 14-18;
56/12.8, 12.7, 13.4, 16.7, 17.5, 202, 254,
255, 294, 11.4, 320.1, 320.2, 249, 252;
280/43.17

(56) **References Cited**

U.S. PATENT DOCUMENTS

- D144,953 S * 6/1946 Wells D15/16
- D161,690 S * 1/1951 Heineke D15/16
- D178,596 S * 8/1956 Cole et al. D15/16
- 2,886,934 A * 5/1959 Jepson 56/11.4
- 2,983,093 A * 5/1961 Heth 56/16.7
- D219,394 S * 12/1970 Graham et al. D15/16
- 3,594,016 A * 7/1971 Wells et al. 280/43.17
- D284,766 S * 7/1986 Chai D15/16
- 4,738,084 A 4/1988 Ogano et al.
- D309,310 S * 7/1990 Fushiya et al. D15/14

FOREIGN PATENT DOCUMENTS

WO WO 02/062126 A1 8/2002

OTHER PUBLICATIONS

Ering catalog "Garten" 2002, pp. 8 and 9.
Asgatec catalog "Assmann Gartentechnik" 2003, p. 13.
Einhall catalog "Gartentechnik" 2001.

Bosch catalog "Das Bosch-Gartengerate-Programm" 2002.
MEP—Marazzini S.p.A. catalog "Emma Collection" 2001-2002, p. 5.

Valex catalog "Garden" 2003, pp. 12 and 13.

Wolf Garten catalog "Des Neue Gartenjahr" 2000.

Klippo catalog Klippo 2002, p. 10.

Solo catalog "Komplett-Programm" 2003.

Viking catalog "Viking" 2002-2003, pp. 12 and 13.

Sliga catalog "Stiga Garden Range" 2003, p. 27.

Ikra catalog "Geratekalalog" 2003, p. 9.

Herkules "Herkules-Motorgerate" 2002-2003, p. 7.

Dolmar catalog "Dolmar" 2002-2003, p. 35.

Granja "Granja" 2001.

Flymo catalog "Flymo" 2002.

Toro "A-Programm 2003" 2003, p. 1.

AL-KO catalog "Innovationskraft" 2003, pp. 6 and 7.

AL-KO catalog "Hol dir die Kraft" 2003, p. 35.

* cited by examiner

Primary Examiner—Stella Reid

Assistant Examiner—Mark A. Goodwin

(74) *Attorney, Agent, or Firm*—Akerman Senterfitt

(57) **CLAIM**

The ornamental design for a lawn-mower, as shown and described.

DESCRIPTION

FIG. 1: is a side perspective view of a lawn-mower showing our new design;

FIG. 2: is a side elevation view thereof;

FIG. 3: is the opposite side elevation view thereof;

FIG. 4: is a front elevation view thereof;

FIG. 5: is a rear elevation view thereof;

FIG. 6: is a top plan view thereof; and,

FIG. 7: is a bottom plan view thereof.

1 Claim, 6 Drawing Sheets

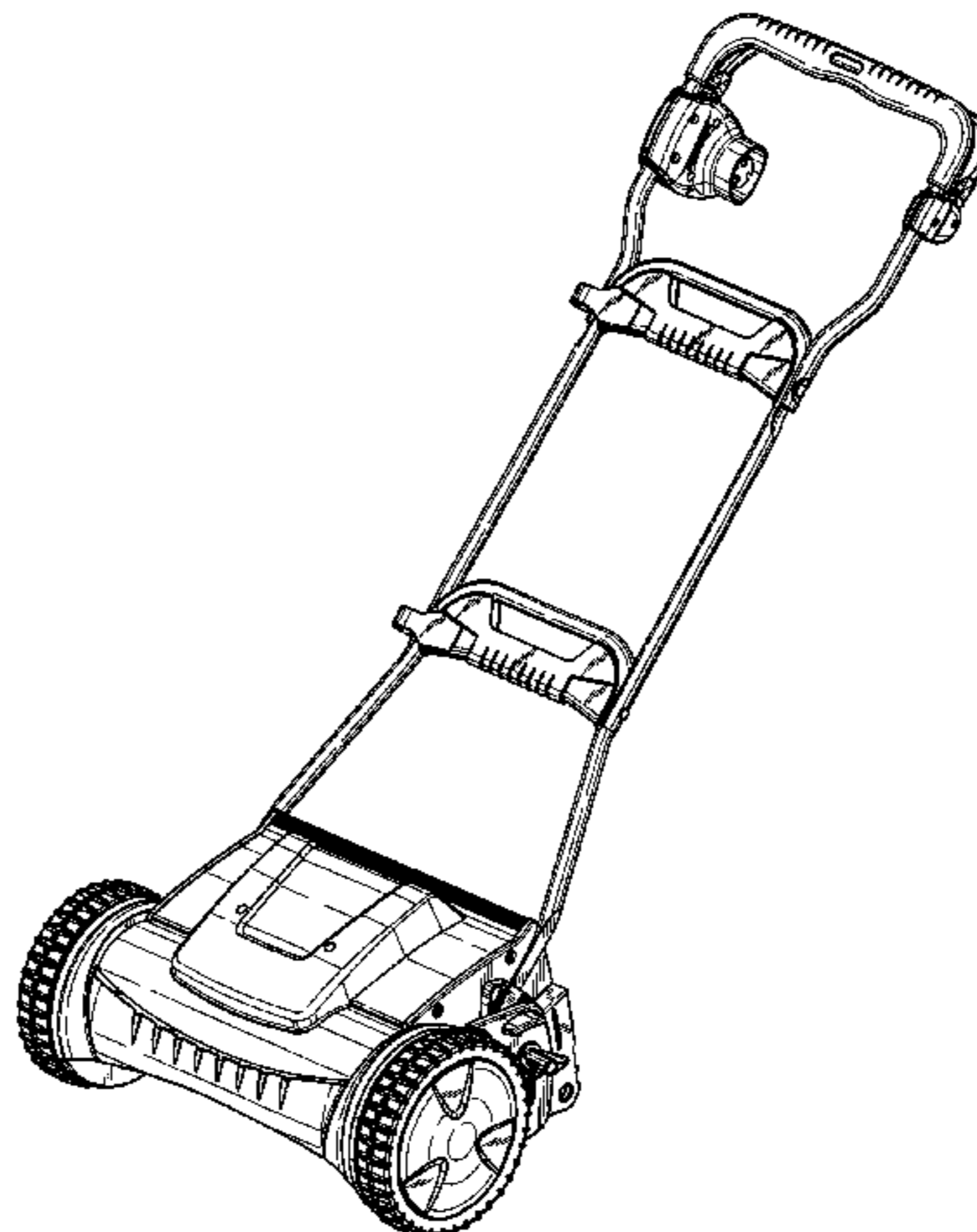
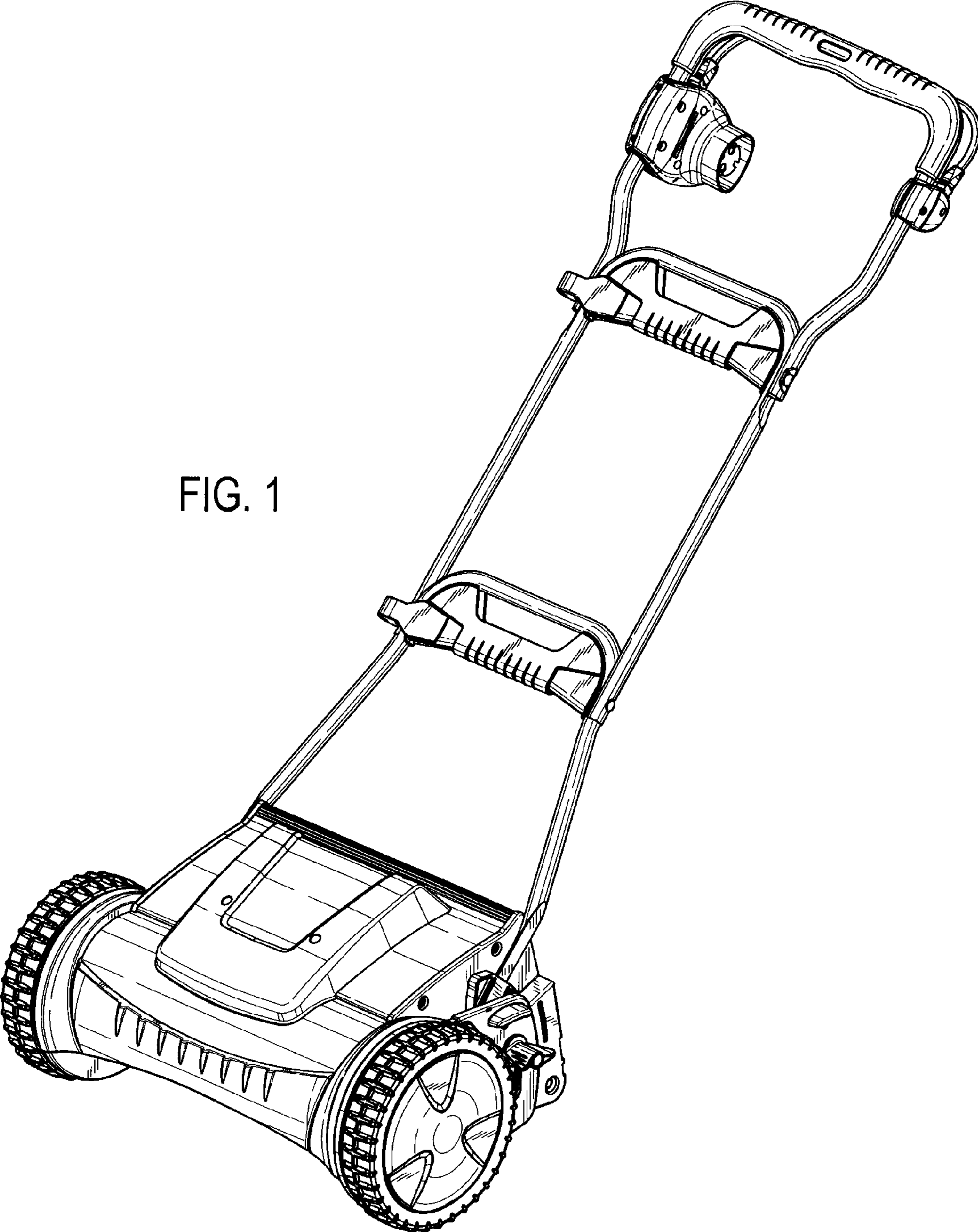


FIG. 1



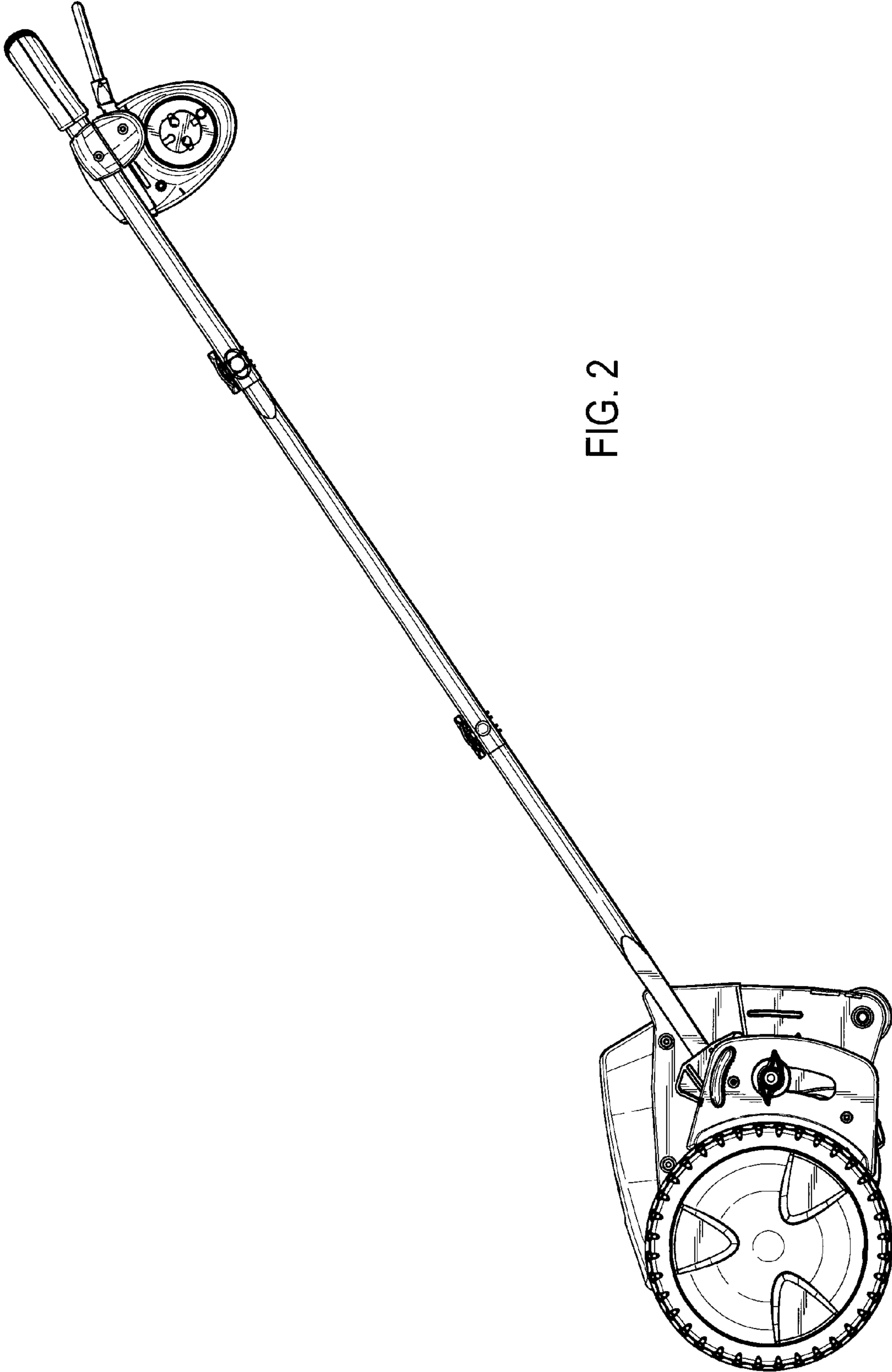


FIG. 2

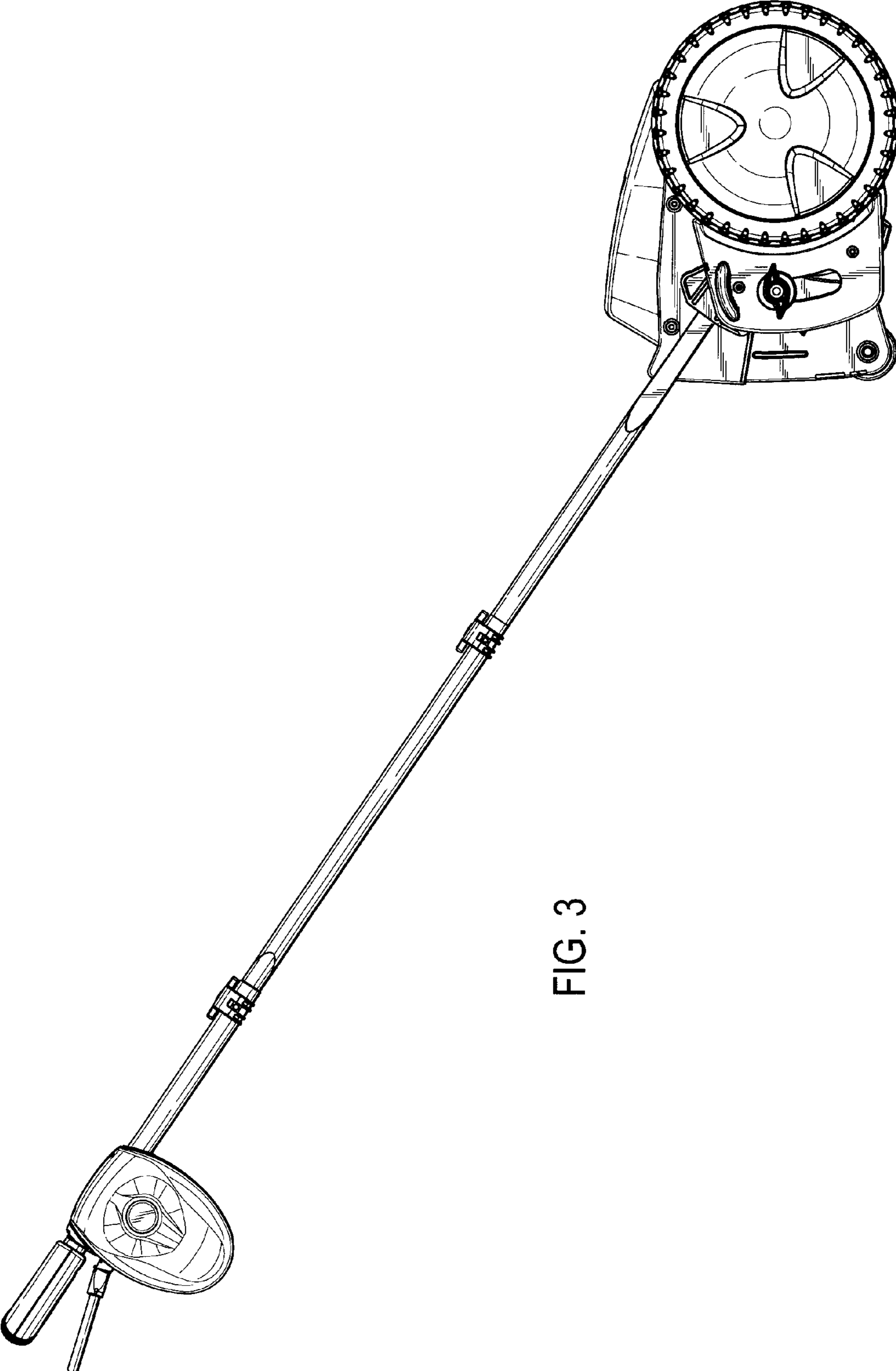


FIG. 3

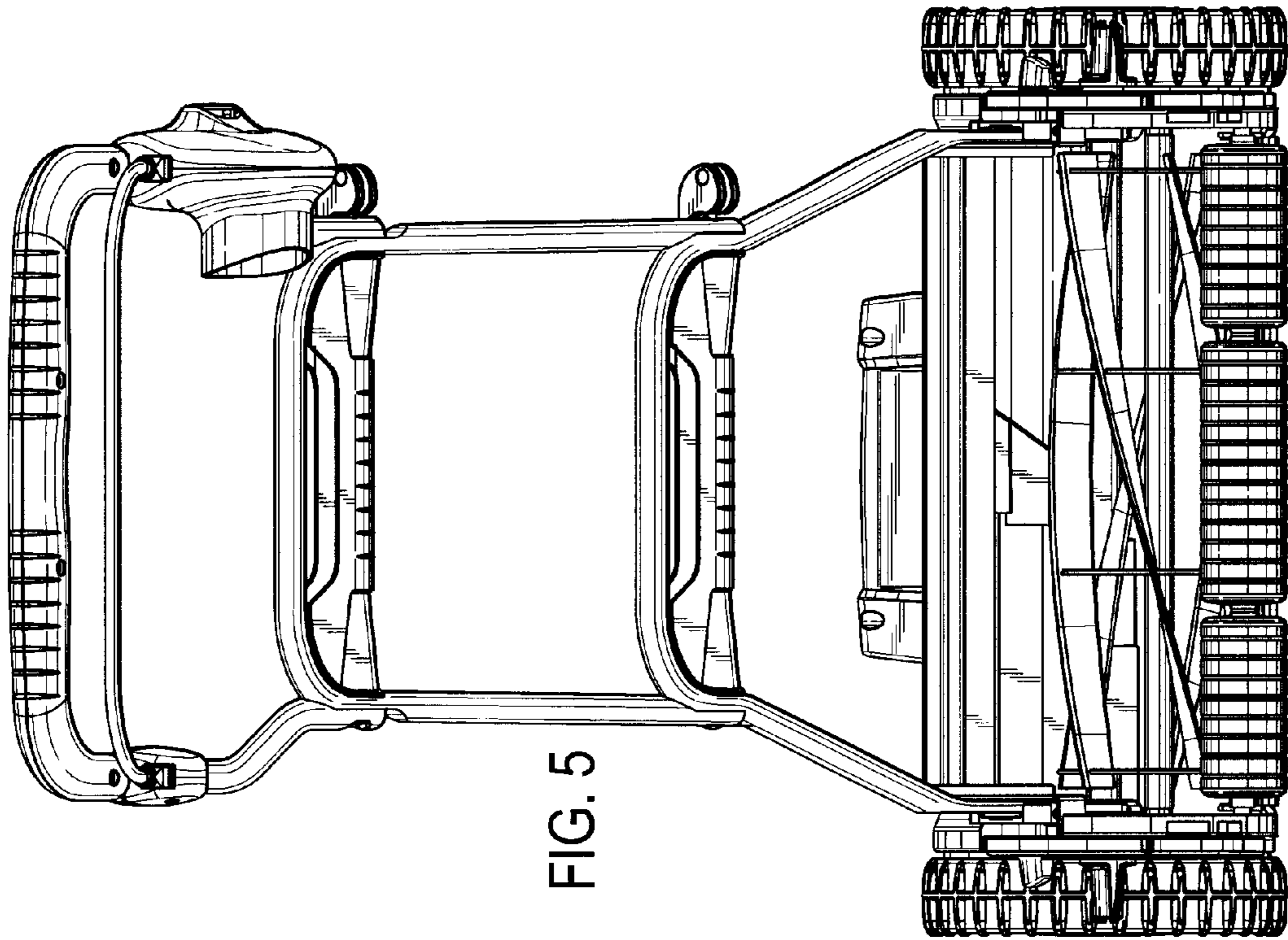


FIG. 5

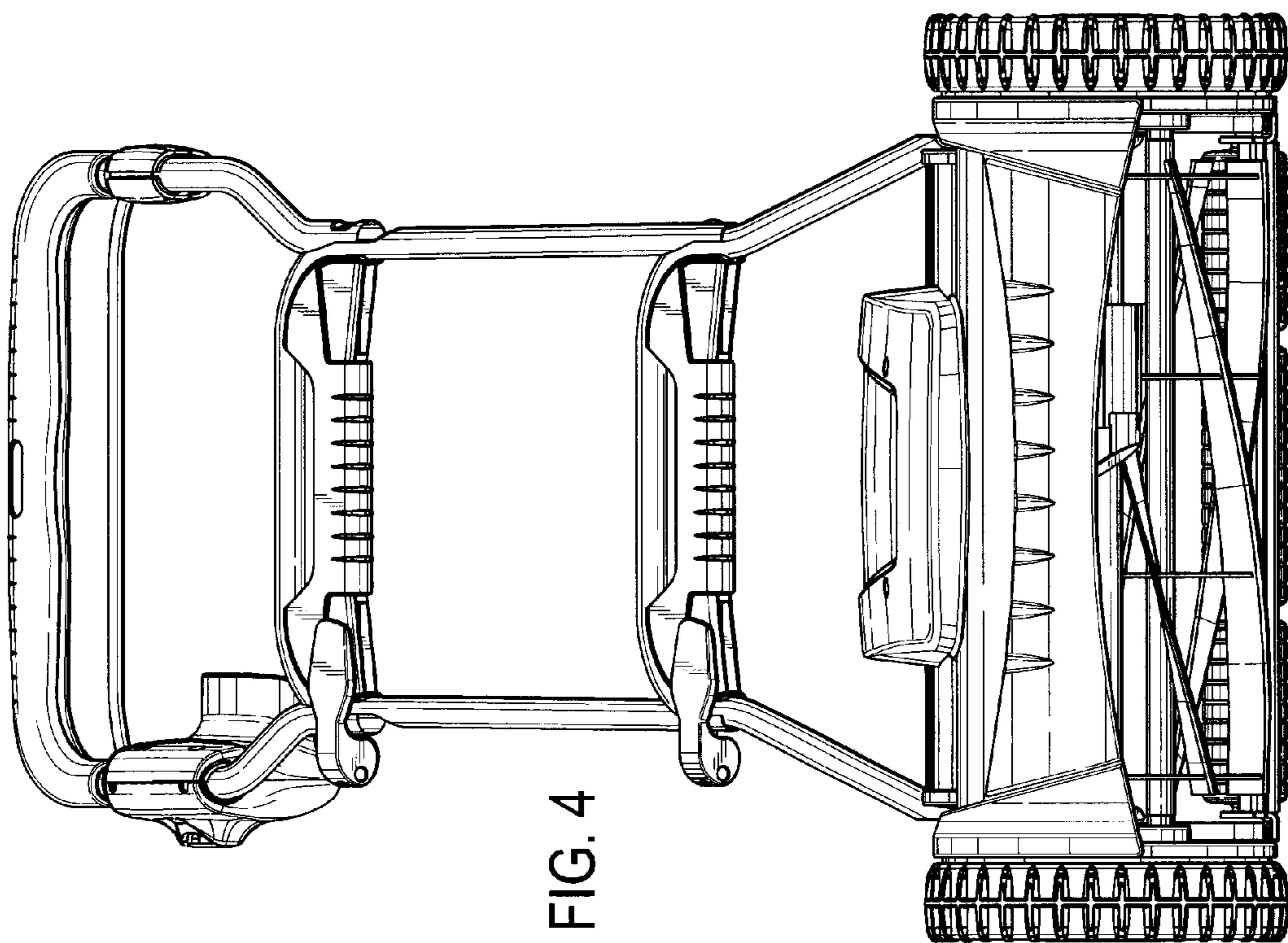


FIG. 4

FIG. 6

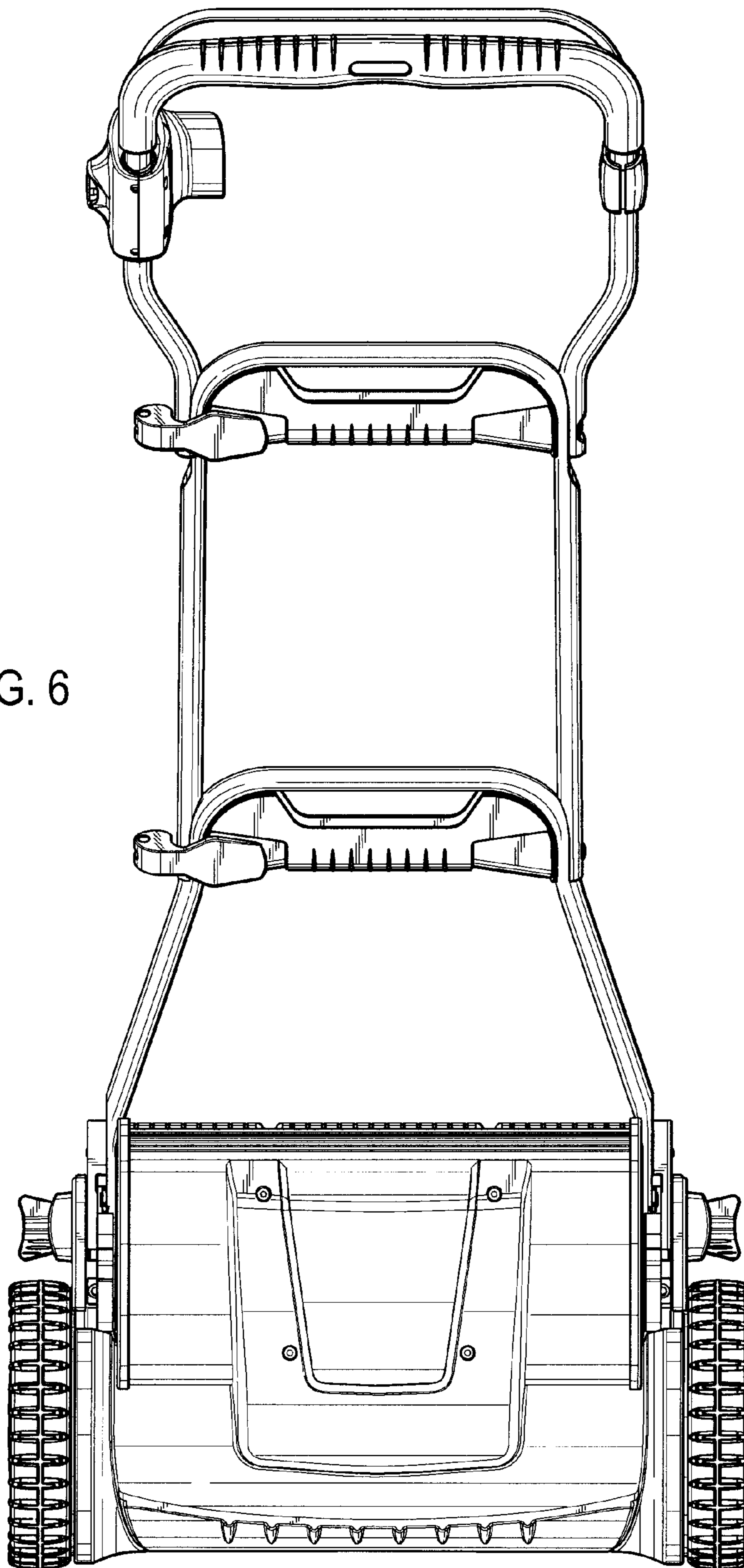


FIG. 7

