

US00D509503S

(12) **United States Design Patent**  
**Brelo**

(10) **Patent No.:** **US D509,503 S**

(45) **Date of Patent:** **\*\* Sep. 13, 2005**

(54) **MEDIA DEVICE**

(75) **Inventor:** **Nora Brelo, Oulu (FI)**

(73) **Assignee:** **Nokia Corporation, Espoo (FI)**

(\*\*) **Term:** **14 Years**

(21) **Appl. No.:** **29/203,881**

(22) **Filed:** **Apr. 21, 2004**

(30) **Foreign Application Priority Data**

Oct. 23, 2003 (FI) ..... M20030251

(51) **LOC (8) Cl.** ..... **14-02**

(52) **U.S. Cl.** ..... **D14/337**

(58) **Field of Search** ..... D14/341-346;  
D19/59, 60; D21/329; 33/443; 434/317;  
345/104, 156, 168, 173; 178/18.03; 349/12

(56) **References Cited**

**U.S. PATENT DOCUMENTS**

4,611,406 A \* 9/1986 Engstrom et al. .... 33/443

D363,511 S \* 10/1995 Hui ..... D21/329  
5,695,345 A \* 12/1997 Weiner et al. .... 434/317  
D439,897 S \* 4/2001 Williams et al. .... D14/345

\* cited by examiner

*Primary Examiner*—Freda S. Nunn

(74) *Attorney, Agent, or Firm*—Banner & Witcoff, Ltd.

(57) **CLAIM**

The ornamental design for a media device, as shown and described.

**DESCRIPTION**

FIG. 1 is a bottom plan view of a media device showing my new design;

FIG. 2 is a front view thereof;

FIG. 3 is a top plan view thereof;

FIG. 4 is a rear view thereof;

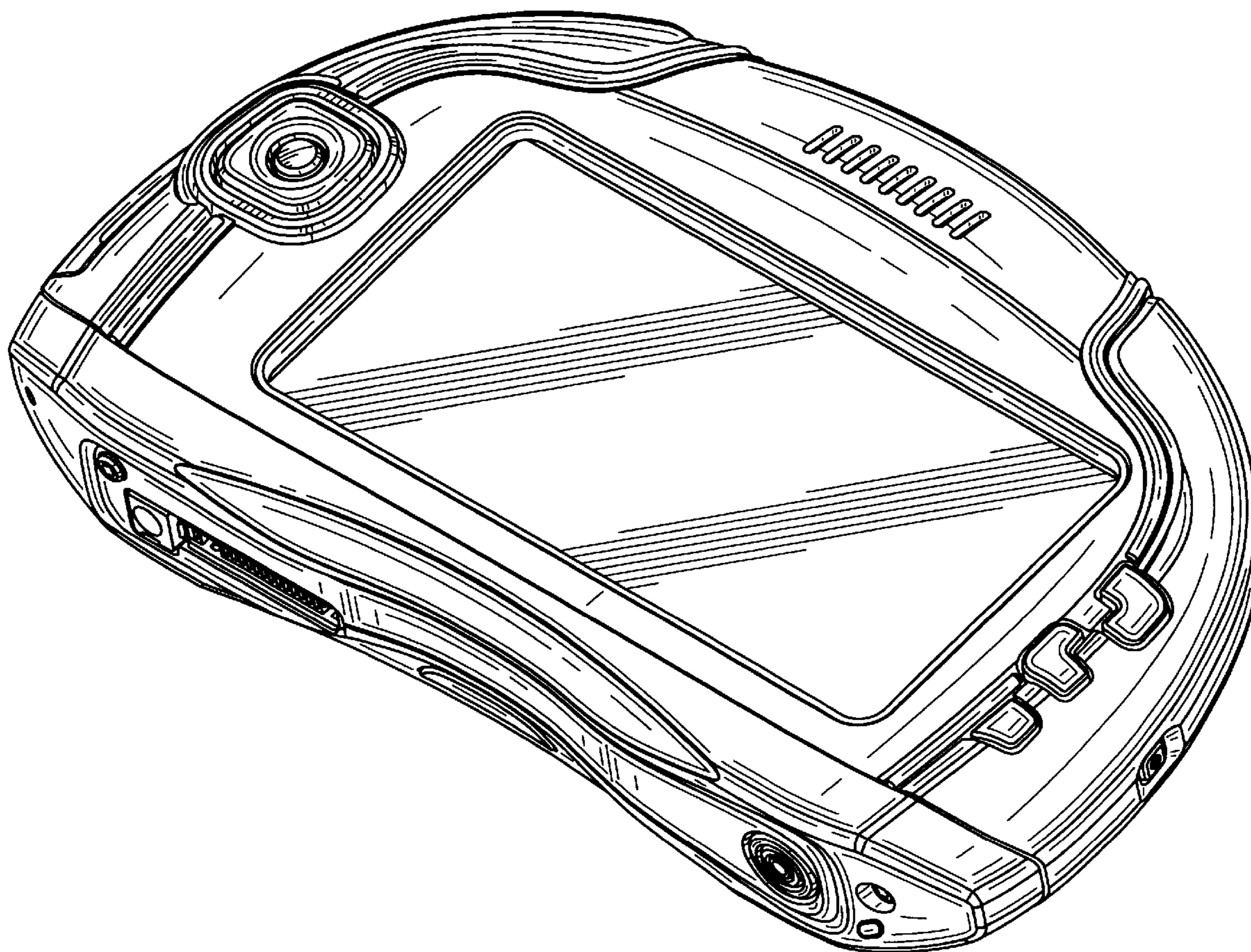
FIG. 5 is a right side view thereof;

FIG. 6 is a left side view thereof;

FIG. 7 is a perspective front view thereof; and,

FIG. 8 is a perspective rear view thereof.

**1 Claim, 7 Drawing Sheets**



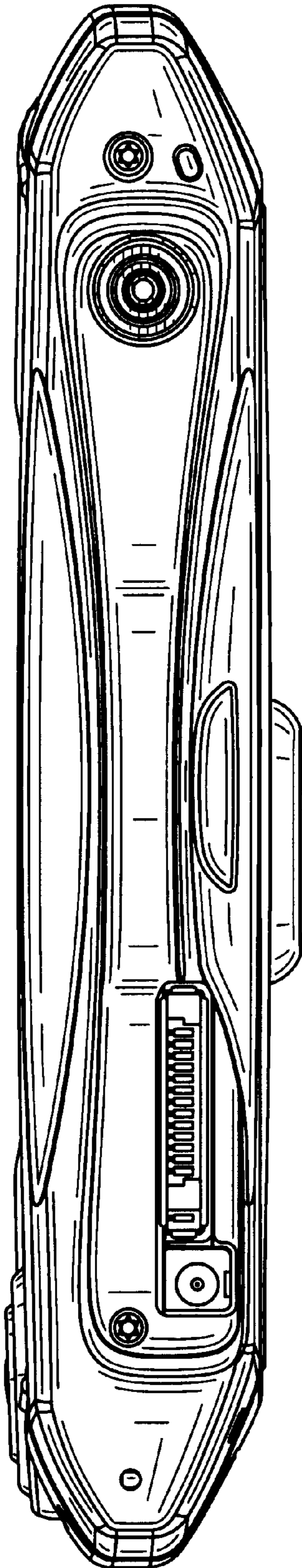


FIG. 1

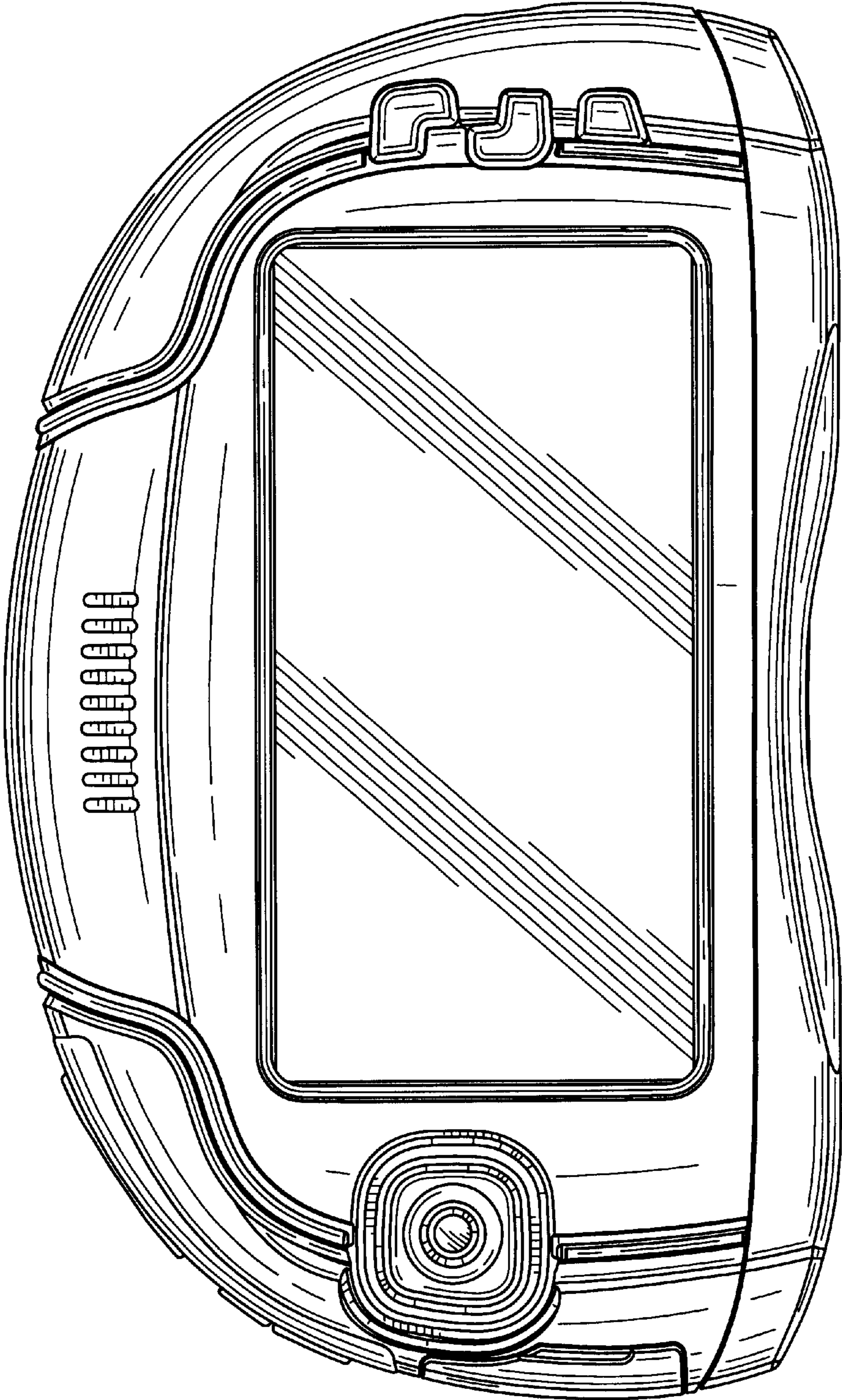


FIG. 2



FIG. 3

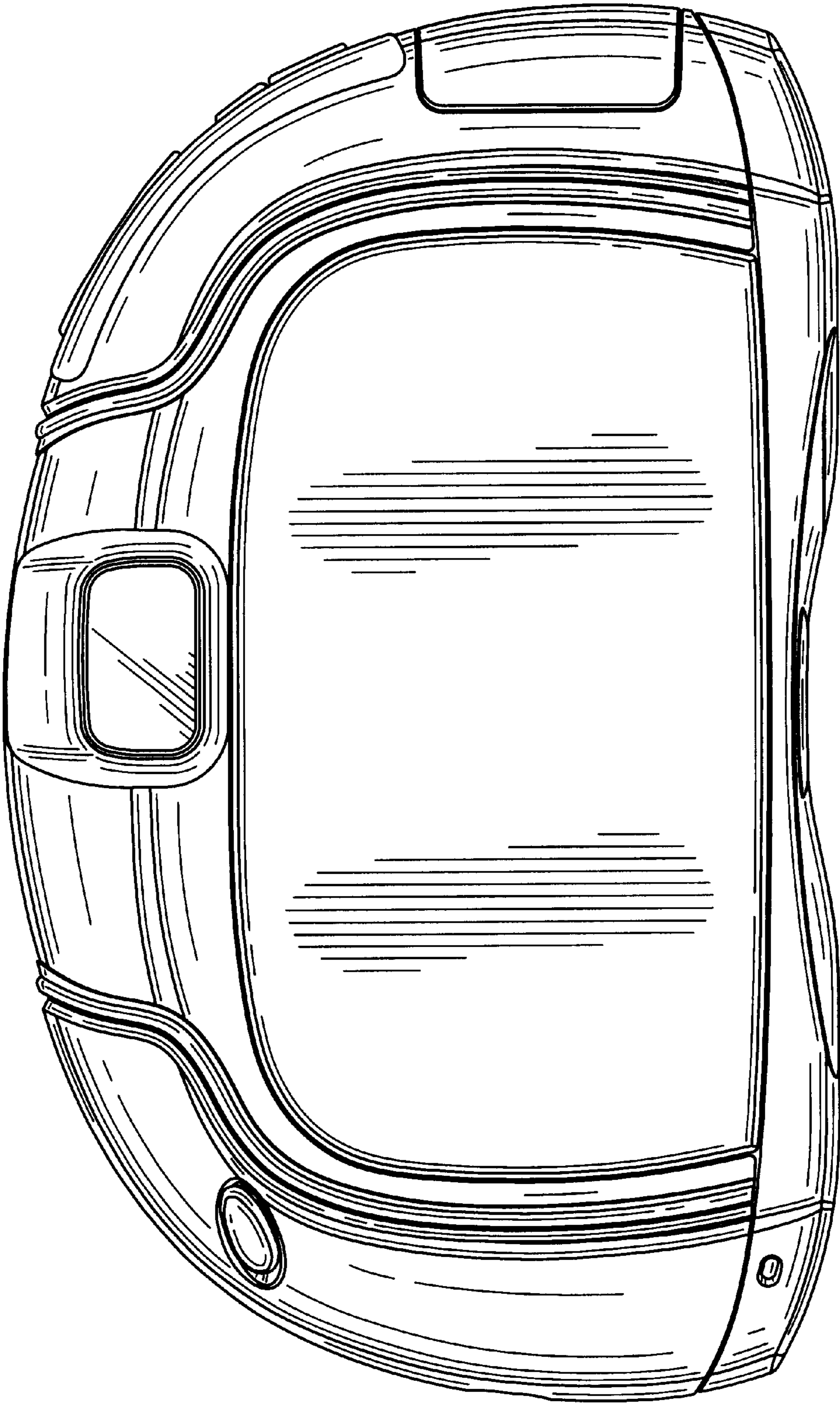


FIG. 4

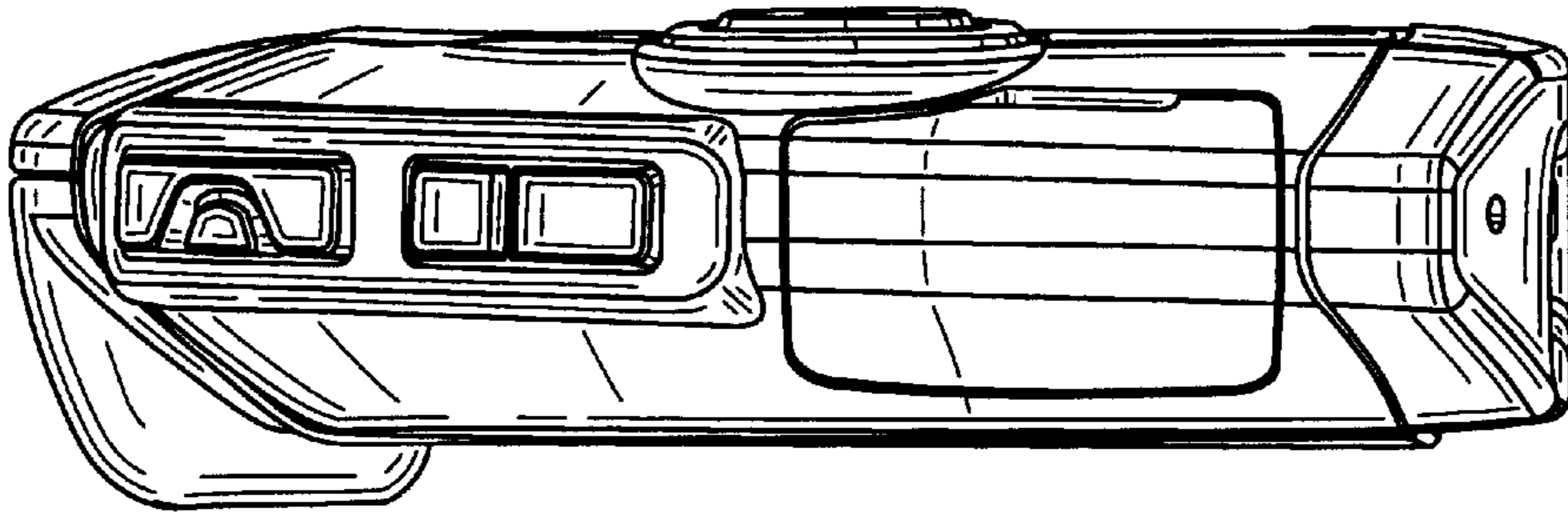


FIG. 6

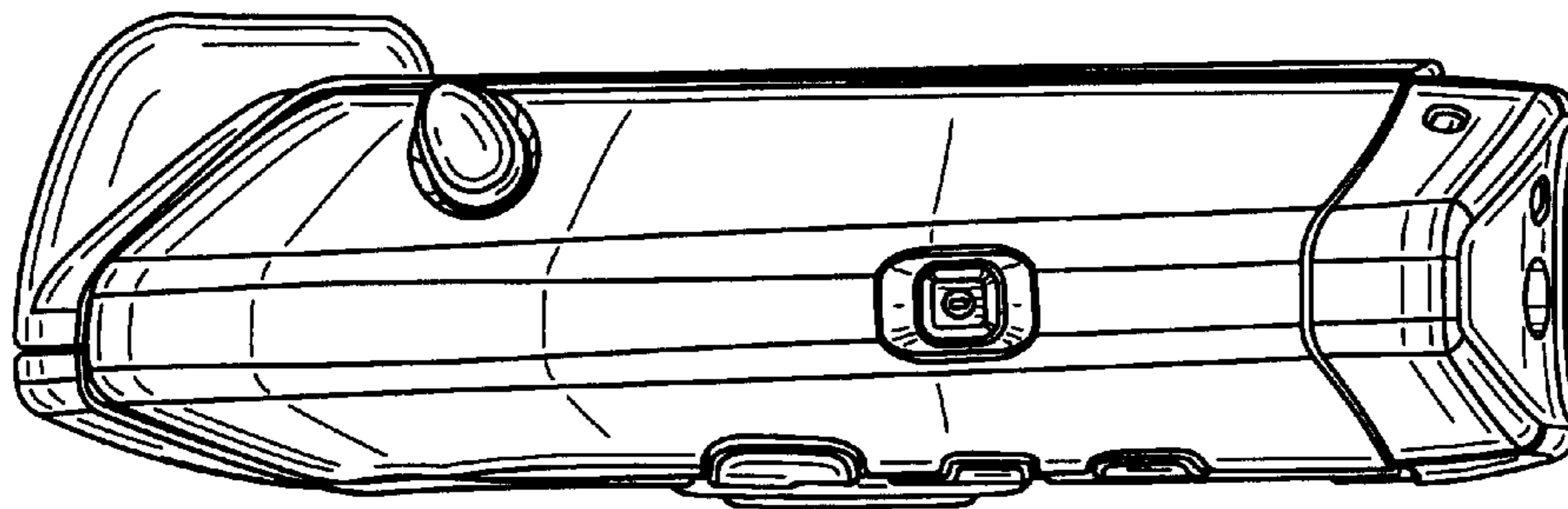


FIG. 5

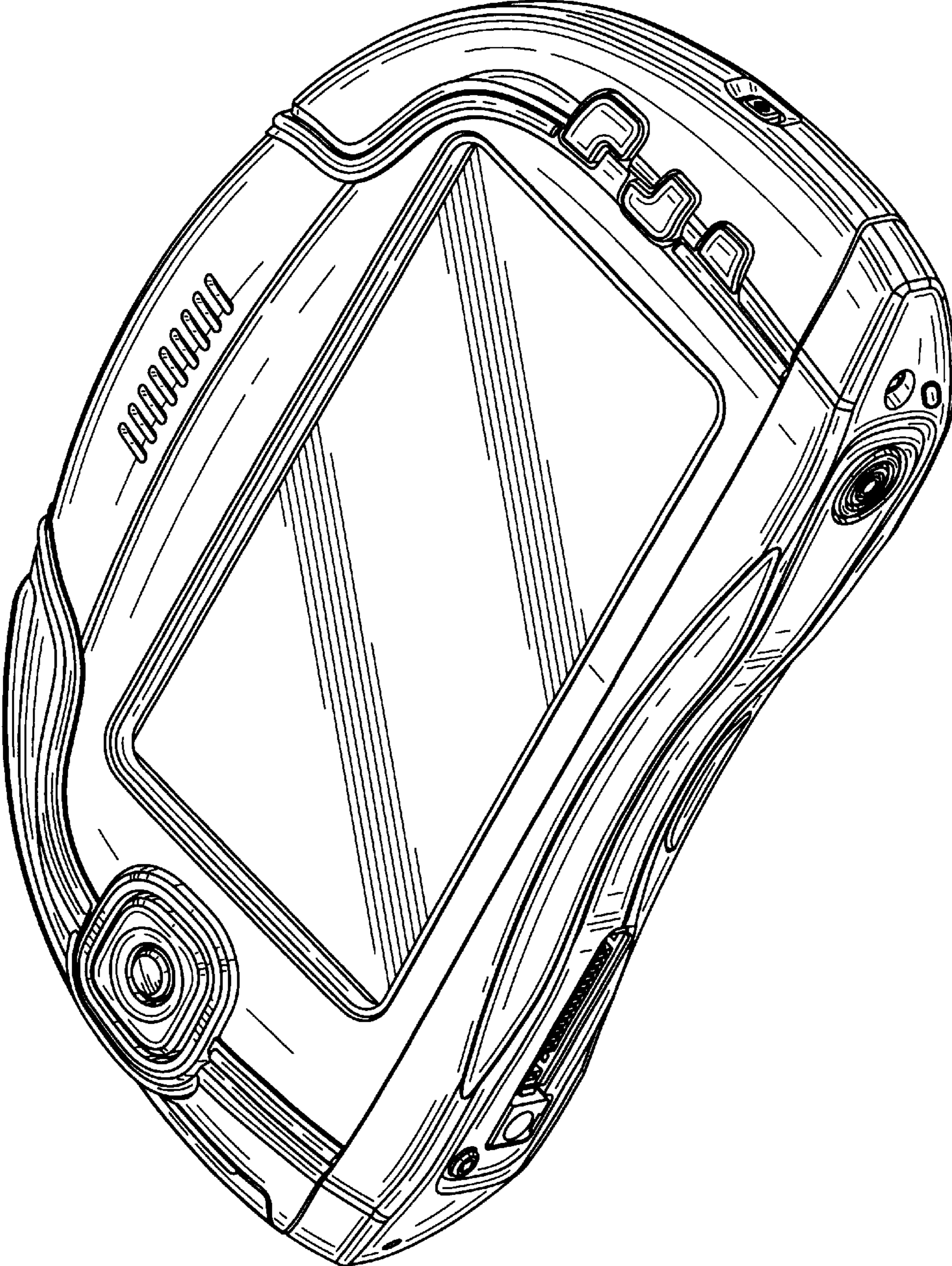


FIG. 7

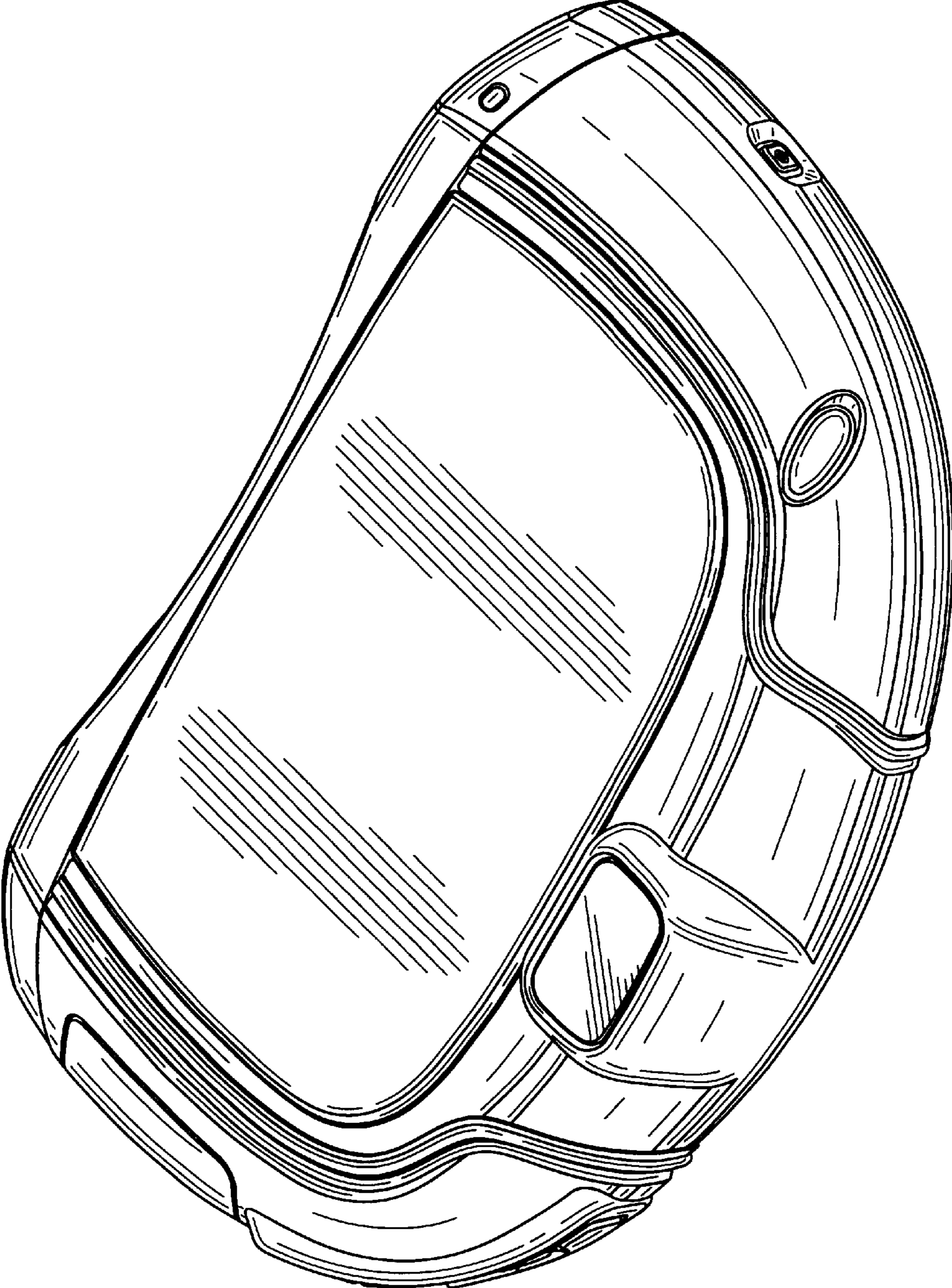


FIG. 8