



US00D509501S

(12) **United States Design Patent**
Sato et al.

(10) **Patent No.: US D509,501 S**
(45) **Date of Patent: ** Sep. 13, 2005**

(54) **OPTICAL DISC RECORDING
REPRODUCTION APPARATUS**

(75) Inventors: **Keiichi Sato**, Yamagata (JP); **Atsushi Kikuchi**, Yamagata (JP); **Hirokazu Furuse**, Yamagata (JP); **Atsushi Kirii**, Yamagata (JP)

(73) Assignee: **Mitsumi Electric Co., Ltd.**, Tokyo (JP)

(**) Term: **14 Years**

(21) Appl. No.: **29/211,243**

(22) Filed: **Aug. 13, 2004**

(30) **Foreign Application Priority Data**

Apr. 13, 2004 (JP) JP2004-011282

(51) **LOC (8) Cl.** **14-03**

(52) **U.S. Cl.** **D14/260**

(58) **Field of Search** D14/260, 366,
D14/217, 156, 299, 239; 720/606, 659,
661, 664, 665, 671, 681, 684, 691, 694;
369/264

(56) **References Cited**

U.S. PATENT DOCUMENTS

5,177,731	A *	1/1993	Tanaka et al.	720/700
5,995,479	A *	11/1999	Takizawa et al.	720/675
6,044,057	A *	3/2000	Park et al.	720/675
6,046,974	A *	4/2000	Uehara	720/663
6,219,327	B1 *	4/2001	Kim et al.	720/671
6,250,169	B1 *	6/2001	Weisser	74/89.17
6,275,460	B1 *	8/2001	Nakayama et al.	720/610

6,430,143	B1 *	8/2002	Kajiyama et al.	720/671
6,445,674	B1 *	9/2002	Morita	720/671
6,449,224	B1 *	9/2002	Lee et al.	369/44.14
6,452,887	B2 *	9/2002	Nakayama et al.	369/264
6,496,472	B1 *	12/2002	Liao et al.	369/264
6,614,748	B2 *	9/2003	Shiomi et al.	720/697
6,704,270	B2 *	3/2004	Moriyama	720/675
6,744,723	B2 *	6/2004	Kirinoe	720/684
6,772,427	B2 *	8/2004	Shishido et al.	720/663
D500,760	S *	1/2005	Kirii et al.	D14/260
2002/0154594	A1 *	10/2002	Lee	369/264

* cited by examiner

Primary Examiner—Cathron C. Brooks

Assistant Examiner—Austin Murphy

(74) *Attorney, Agent, or Firm*—Sughrue Mion, PLLC

(57) **CLAIM**

The ornamental design for an optical disc recording reproduction apparatus, as shown.

DESCRIPTION

FIG. 1 is a perspective view of the top, front and right side of an optical disc recording reproduction apparatus showing our new design;

FIG. 2 is a perspective view of the bottom, rear and left side thereof;

FIG. 3 is a front elevational view thereof;

FIG. 4 is a rear elevational view thereof;

FIG. 5 is a right side elevational view thereof;

FIG. 6 is a left side elevational view thereof;

FIG. 7 is a top plan view thereof; and,

FIG. 8 is a bottom plan view thereof.

1 Claim, 4 Drawing Sheets

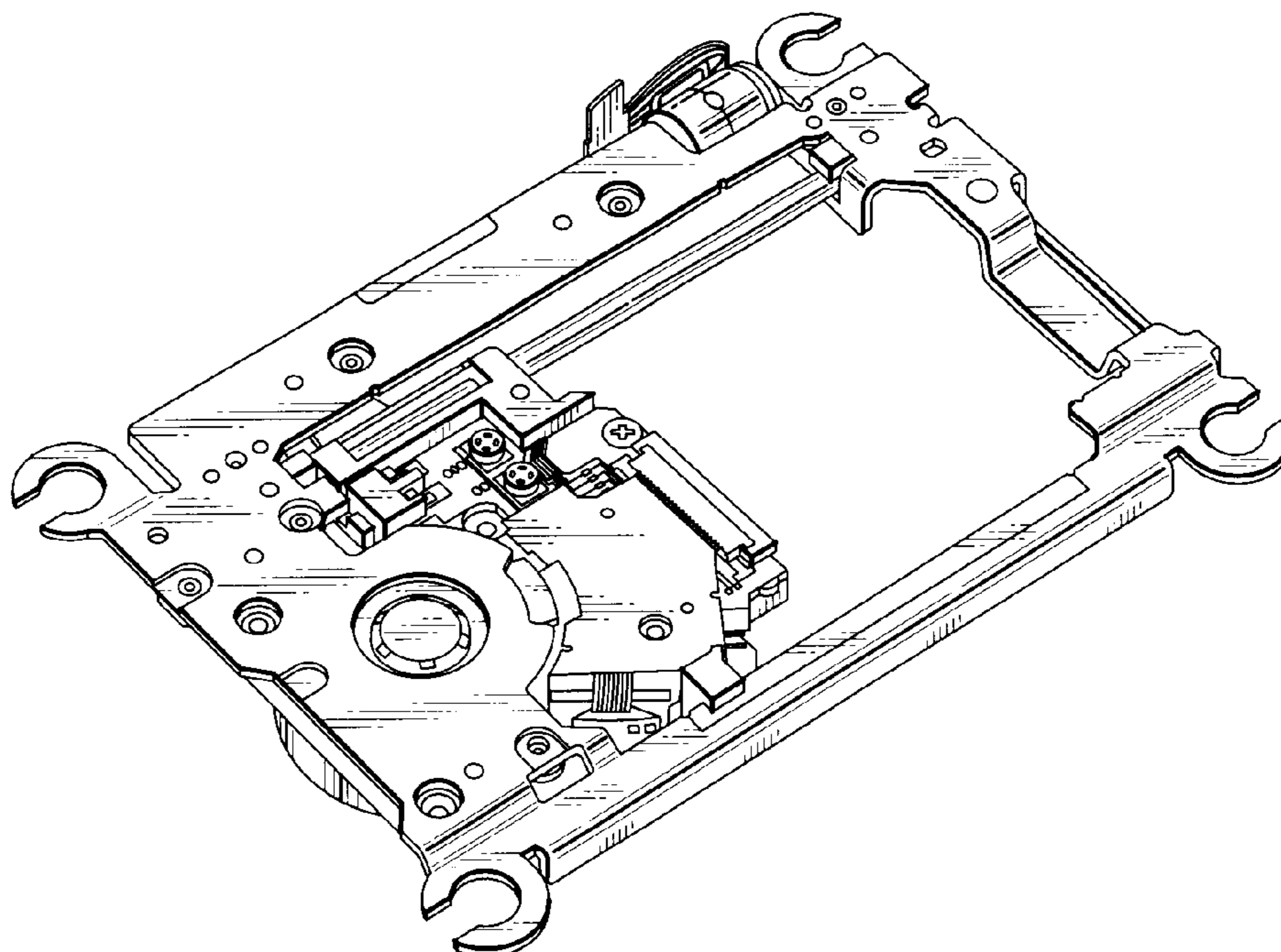


FIG. 1

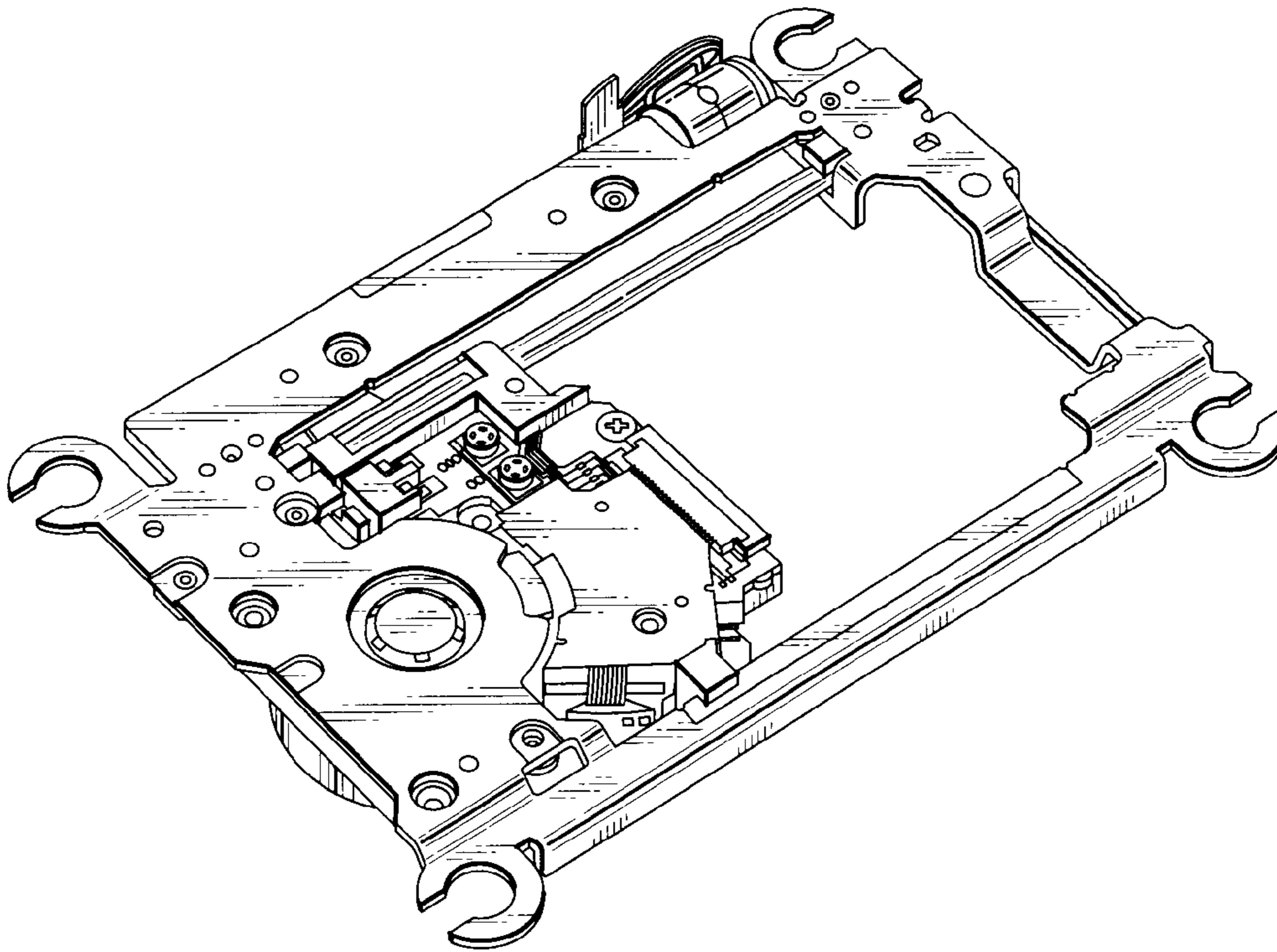


FIG. 2

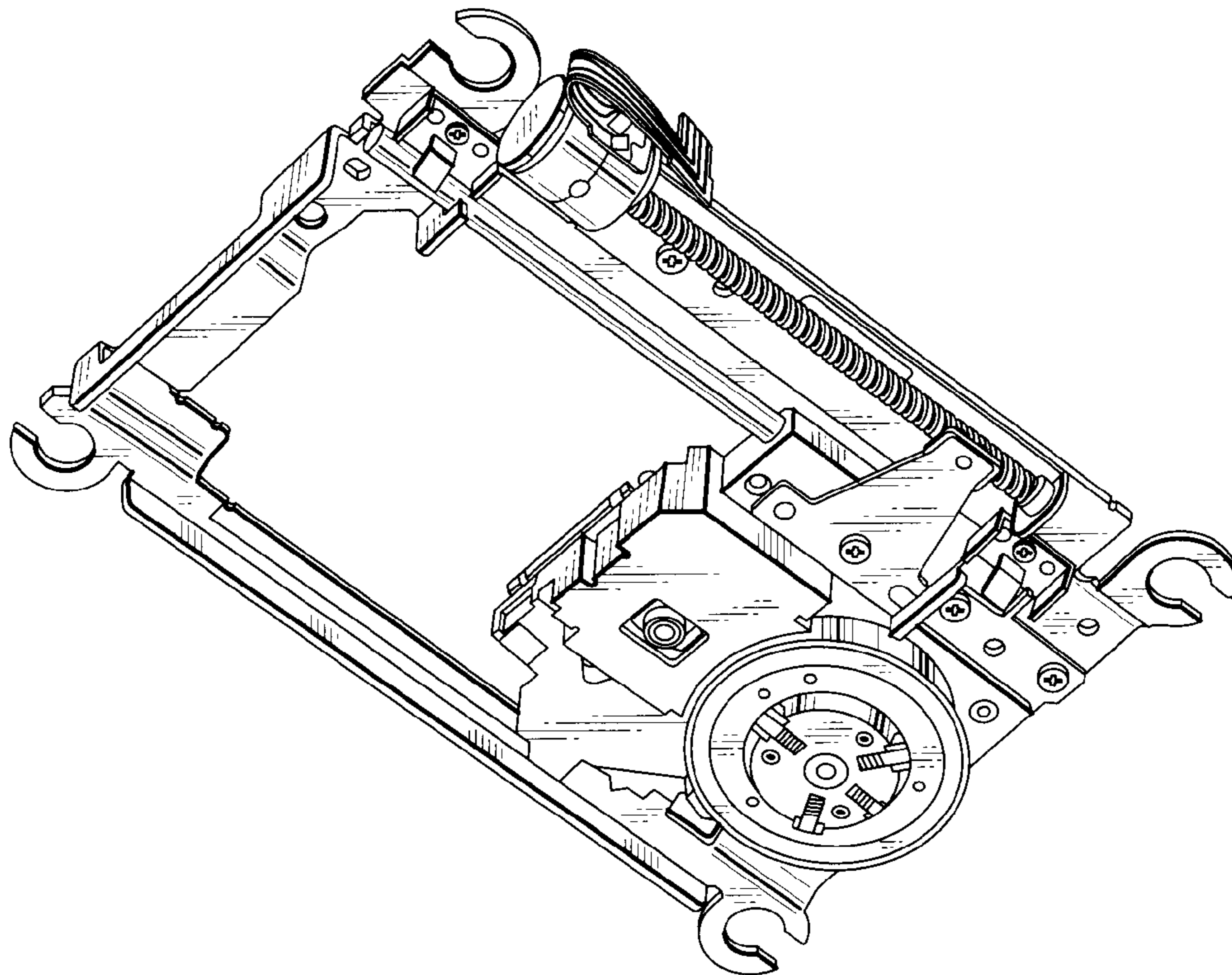


FIG.3

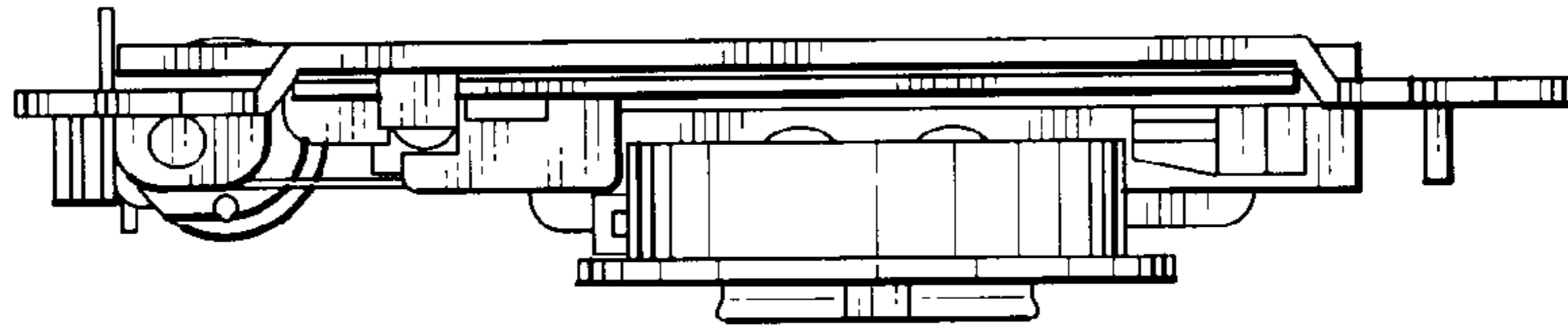


FIG.4

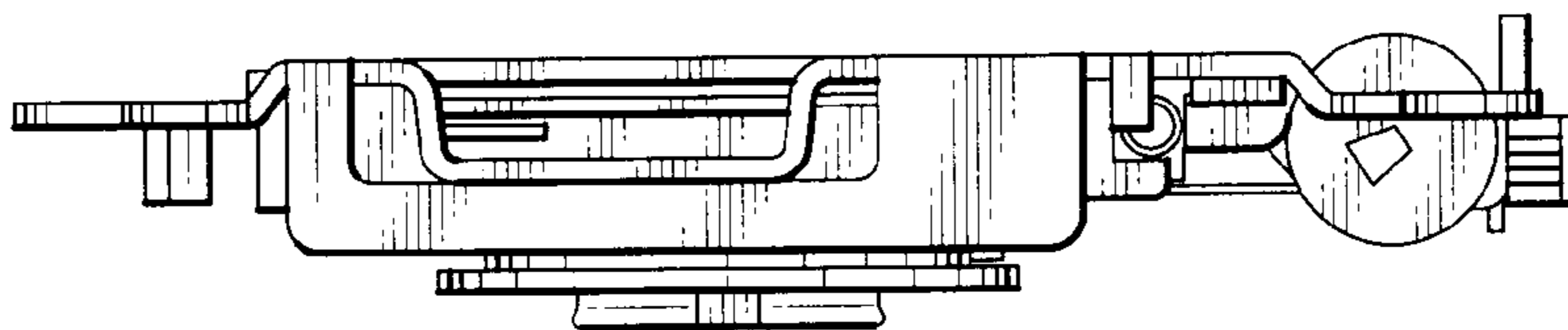


FIG.5

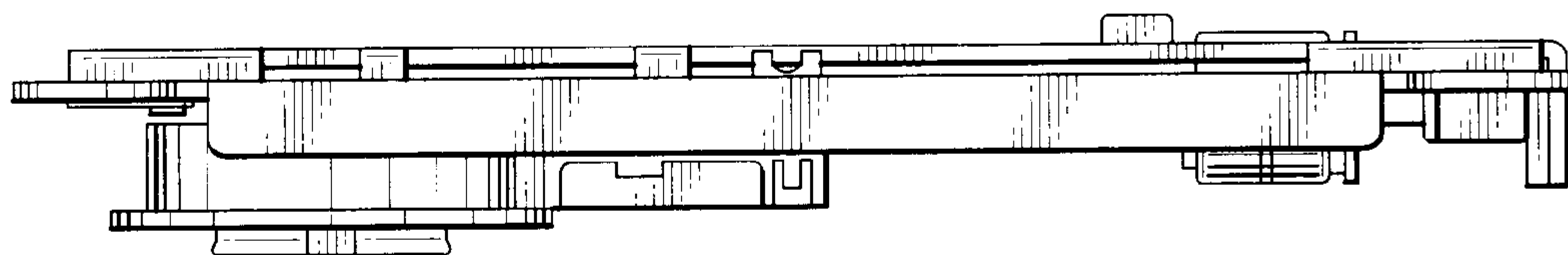


FIG.6

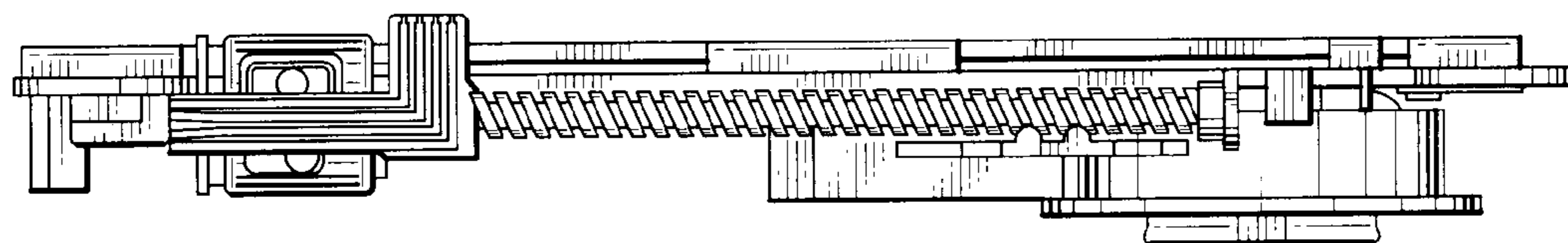


FIG. 7

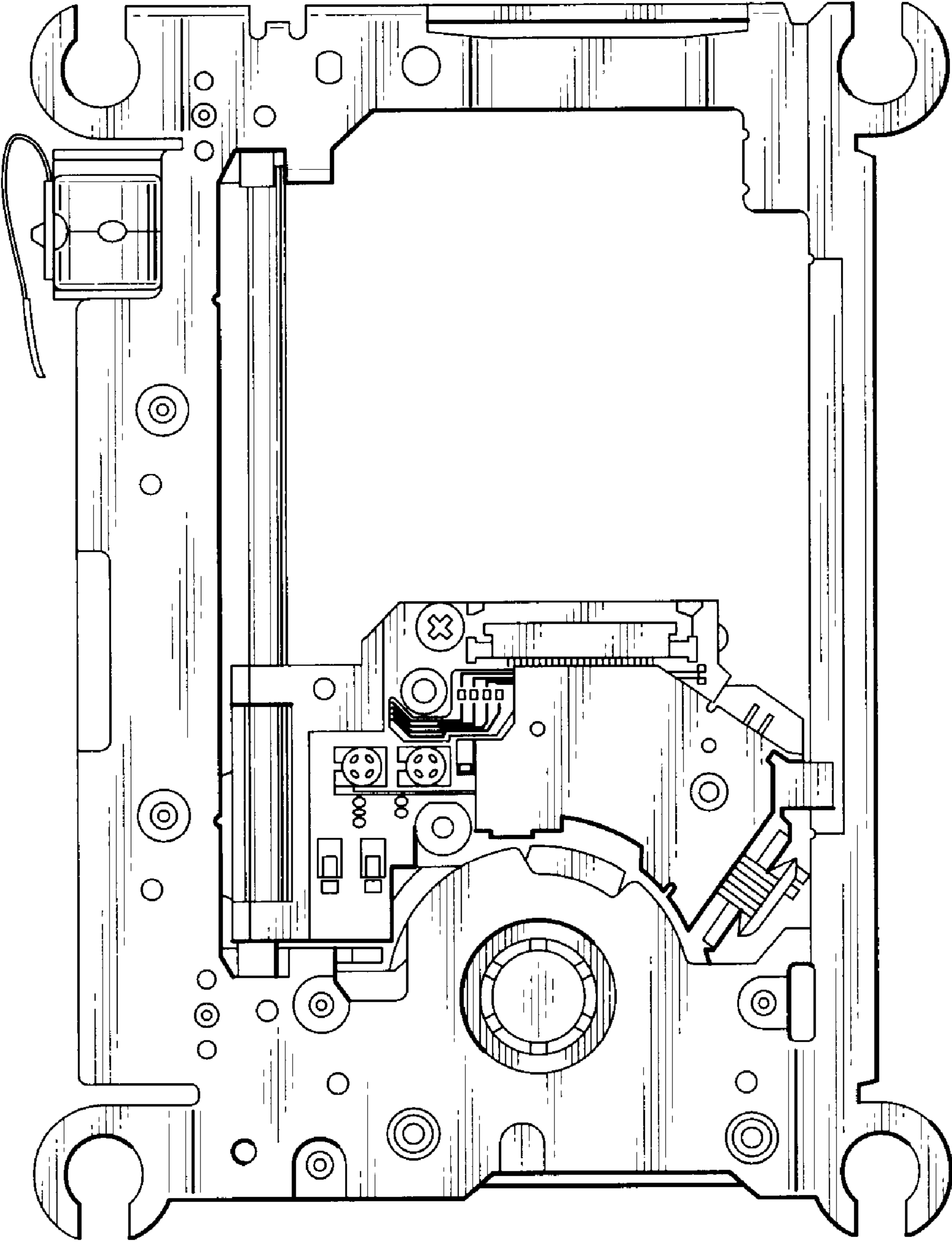


FIG. 8

