

US00D509500S

(12) **United States Design Patent** (10) **Patent No.:** **US D509,500 S**
Watanabe et al. (45) **Date of Patent:** **** Sep. 13, 2005**

(54) **PORTABLE WIRELESS TELEPHONE**

(75) Inventors: **Jun Watanabe**, Tokyo (JP); **Hiromu Kitamura**, Tokyo (JP); **Jin Kuramoto**, Tokyo (JP); **Akiko Takeuchi**, Tokyo (JP); **Kazuhiko Yamaoka**, Tokyo (JP)

(73) Assignee: **NEC Corporation**, Tokyo (JP)

(**) **Term:** **14 Years**

(21) Appl. No.: **29/214,781**

(22) Filed: **Oct. 12, 2004**

(30) **Foreign Application Priority Data**

Apr. 13, 2004 (JP) 2004-011299

(51) **LOC (8) Cl.** **14-03**

(52) **U.S. Cl.** **D14/247**

(58) **Field of Search** D14/137, 138, D14/147-148, 247-248, 144, 341-347; 379/433.01-433.13, 434; 455/550.1-90.3, 575.3, 566, 575.1; D21/517; 345/169

(56) **References Cited**

U.S. PATENT DOCUMENTS

- D287,598 S * 1/1987 Moggridge D14/456
- D411,994 S * 7/1999 Nakahara et al. D14/138
- D421,611 S * 3/2000 Nuovo D14/248
- D422,596 S * 4/2000 Nakahara et al. D14/247
- D447,126 S * 8/2001 Carvalho D14/138
- D451,079 S * 11/2001 Ali D14/138
- D454,849 S * 3/2002 Eckholm D14/138
- D479,514 S * 9/2003 Chan D14/138
- D481,381 S * 10/2003 Toor et al. D14/247
- D481,711 S * 11/2003 Vuolteenaho D14/247
- D482,682 S * 11/2003 Lehtonen D14/247
- D485,249 S * 1/2004 Liao et al. D14/138
- D485,819 S * 1/2004 Ahlgren D14/138
- D487,443 S * 3/2004 Yoon D14/138
- D487,735 S * 3/2004 Wu et al. D14/138
- D489,363 S * 5/2004 Shimamura et al. D14/247
- D491,907 S * 6/2004 Ogawa D14/138
- D492,275 S * 6/2004 Lin et al. D14/138
- D492,276 S * 6/2004 Walliser et al. D14/138

- D492,657 S * 7/2004 Jensfelt D14/138
- D492,660 S * 7/2004 Kim et al. D14/138
- D492,675 S * 7/2004 Wei et al. D14/248
- D493,451 S * 7/2004 Wada D14/247
- D494,561 S * 8/2004 Kagami et al. D14/138
- D496,019 S * 9/2004 Okada et al. D14/138
- D496,921 S * 10/2004 Hwang D14/138
- D497,614 S * 10/2004 Gartrell et al. D14/247
- D499,090 S * 11/2004 Chang et al. D14/248
- 2003/0038787 A1 * 2/2003 Nishiyama 345/169
- 2003/0054830 A1 * 3/2003 Williams et al. 455/456
- 2003/0107555 A1 * 6/2003 Williams 345/169
- 2004/0162118 A1 * 8/2004 Park et al. 455/575.1

FOREIGN PATENT DOCUMENTS

- WO DM/055620 * 4/2001
- WO DM/060792 * 6/2002
- WO DM/064560 * 10/2003
- WO DM/065843 * 8/2004

OTHER PUBLICATIONS

“DIME” published Oct. 5, 2000, Iphone on p. 134.*

* cited by examiner

Primary Examiner—Jeffrey Asch

(74) *Attorney, Agent, or Firm*—Sughru Mion, PLLC

(57) **CLAIM**

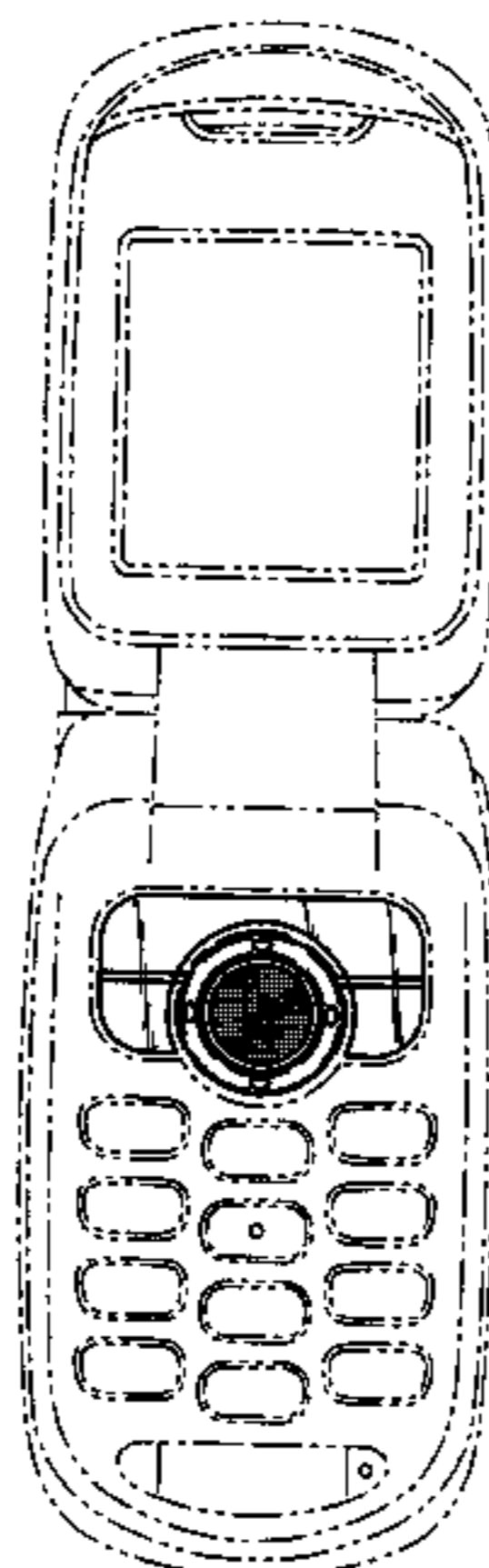
The ornamental design for a portable wireless telephone, as shown and described.

DESCRIPTION

FIG. 1 is a perspective view of the top, front and right side of a portable wireless telephone showing our new design; FIG. 2 is a front elevational view thereof; FIG. 3 is a rear elevational view thereof; FIG. 4 is a left side elevational view thereof; FIG. 5 is a right side elevational view thereof; FIG. 6 is a top plan view thereof; and, FIG. 7 is a bottom plan view thereof.

The elements shown in broken lines are for illustrative purposes only and form no part of the claimed design.

1 Claim, 4 Drawing Sheets



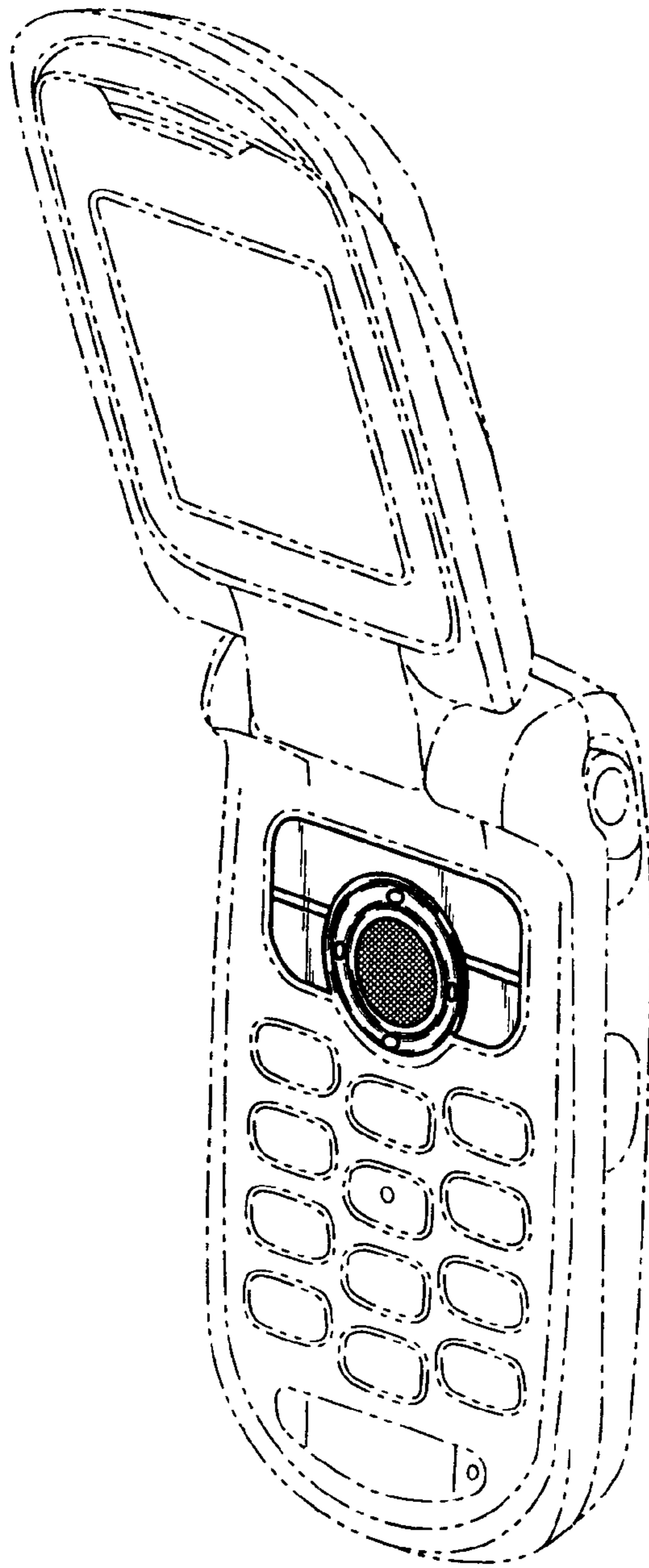


Fig. 1

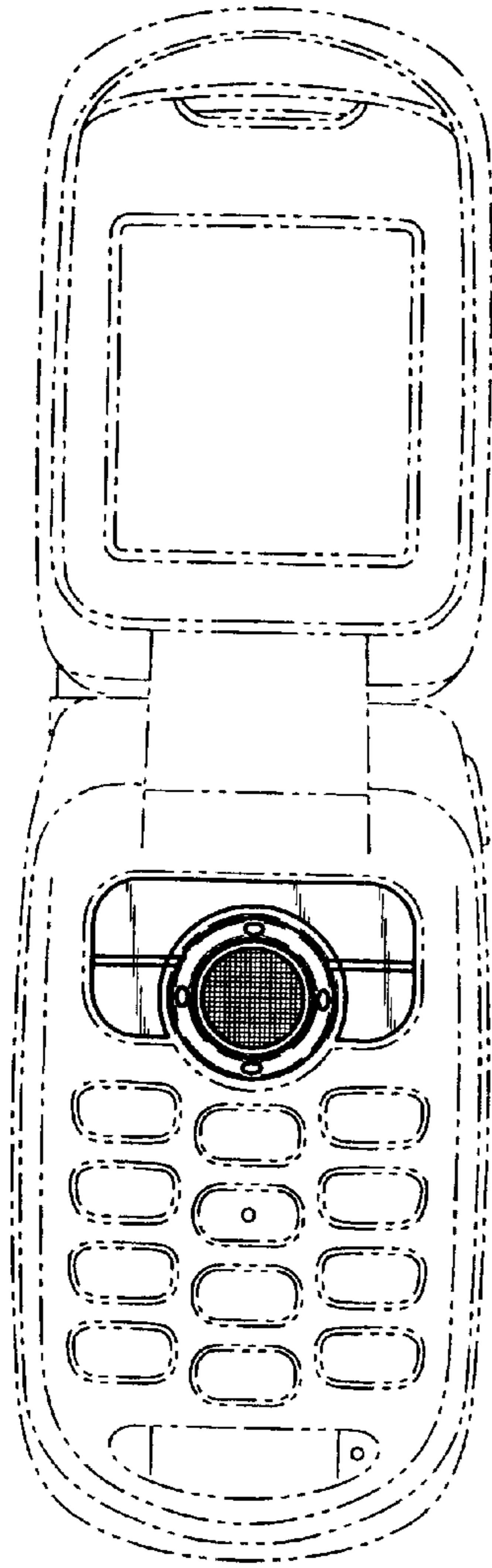


Fig. 2

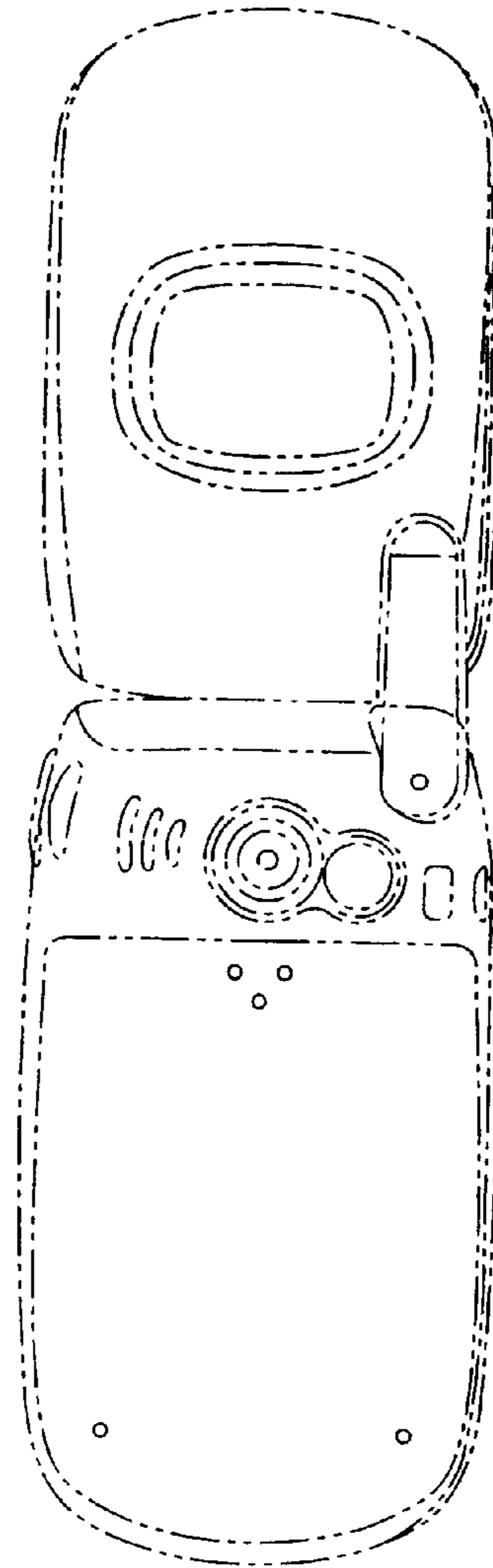


Fig. 3

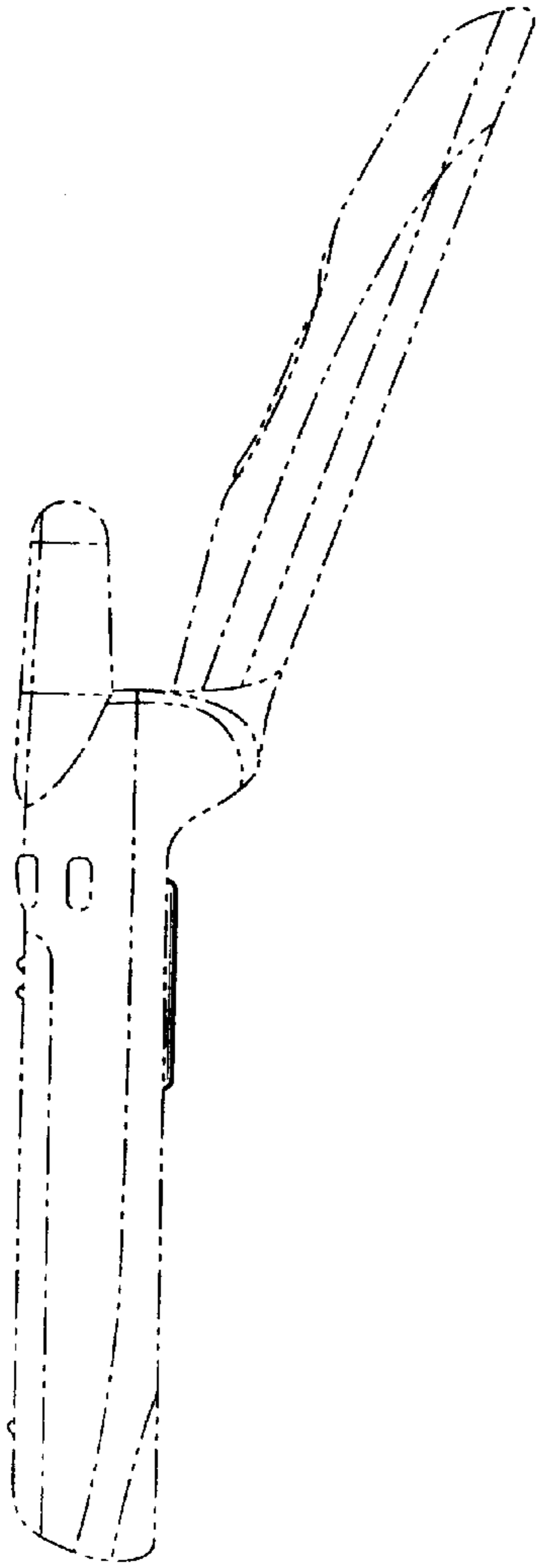


Fig. 4

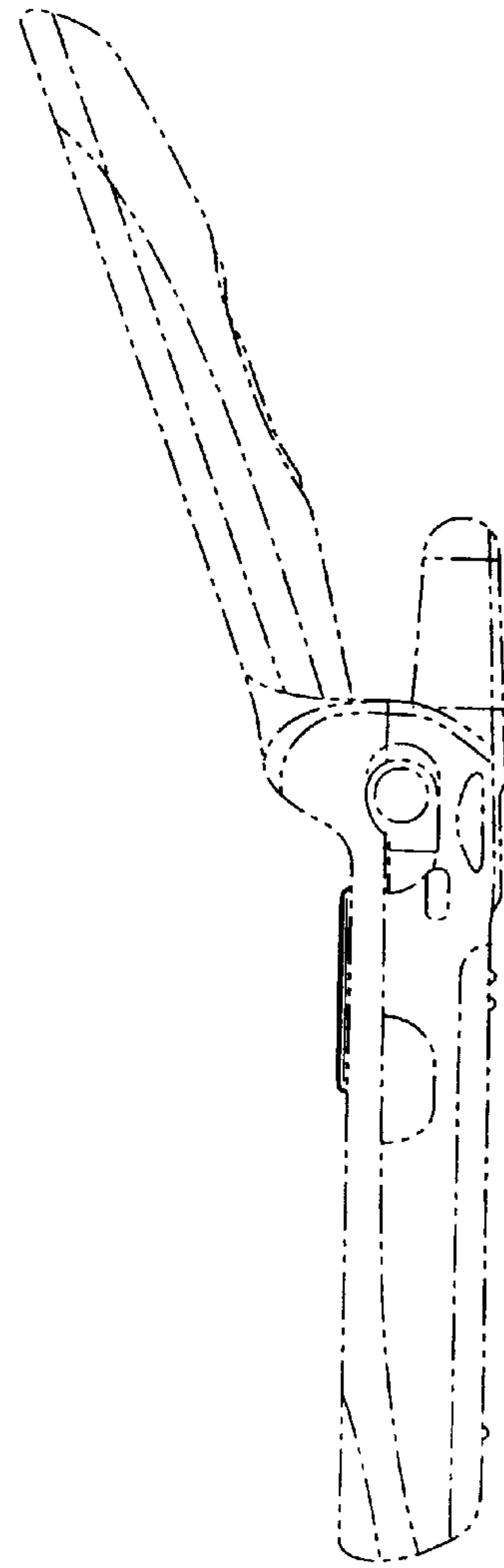


Fig. 5

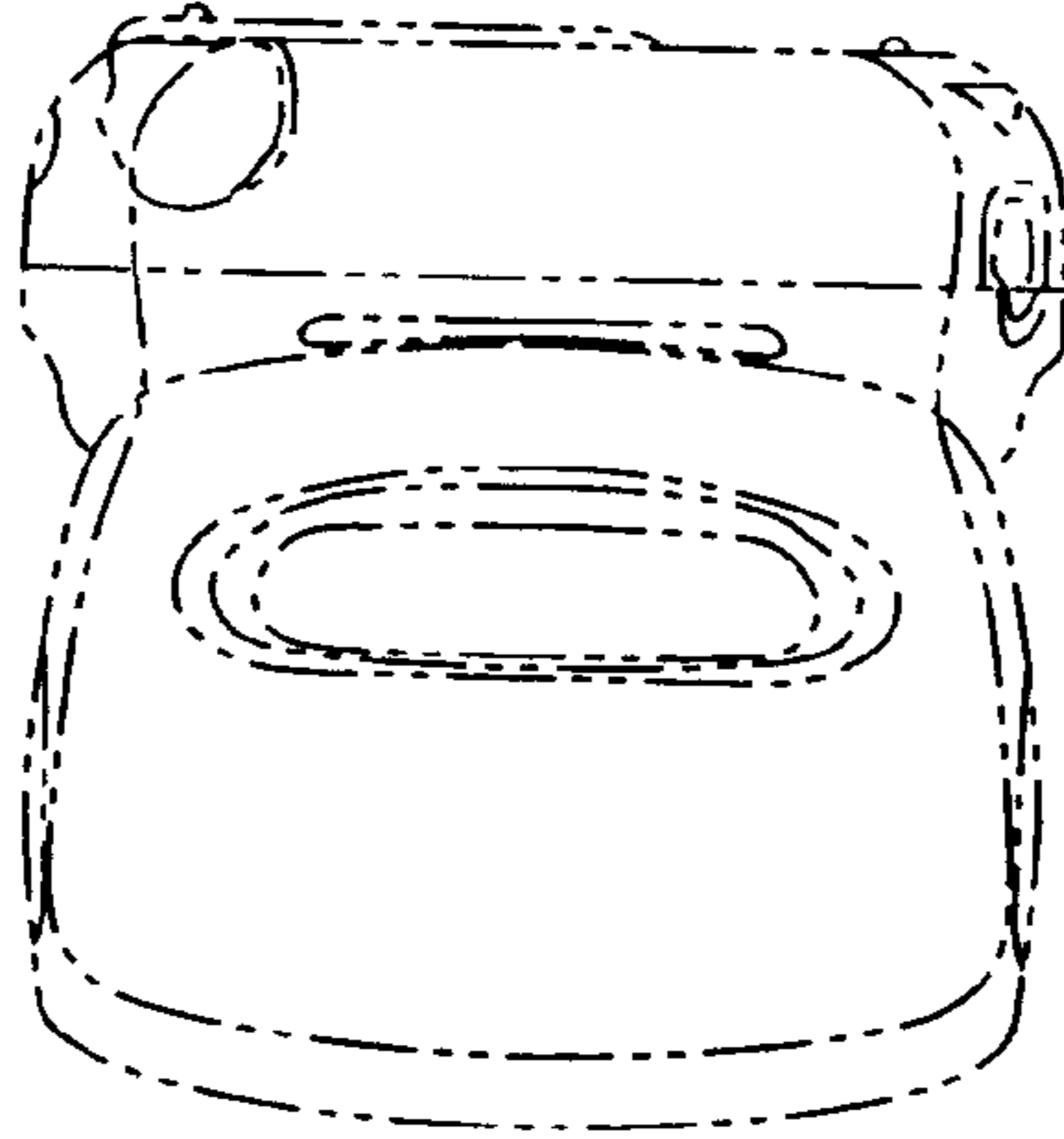


Fig. 6

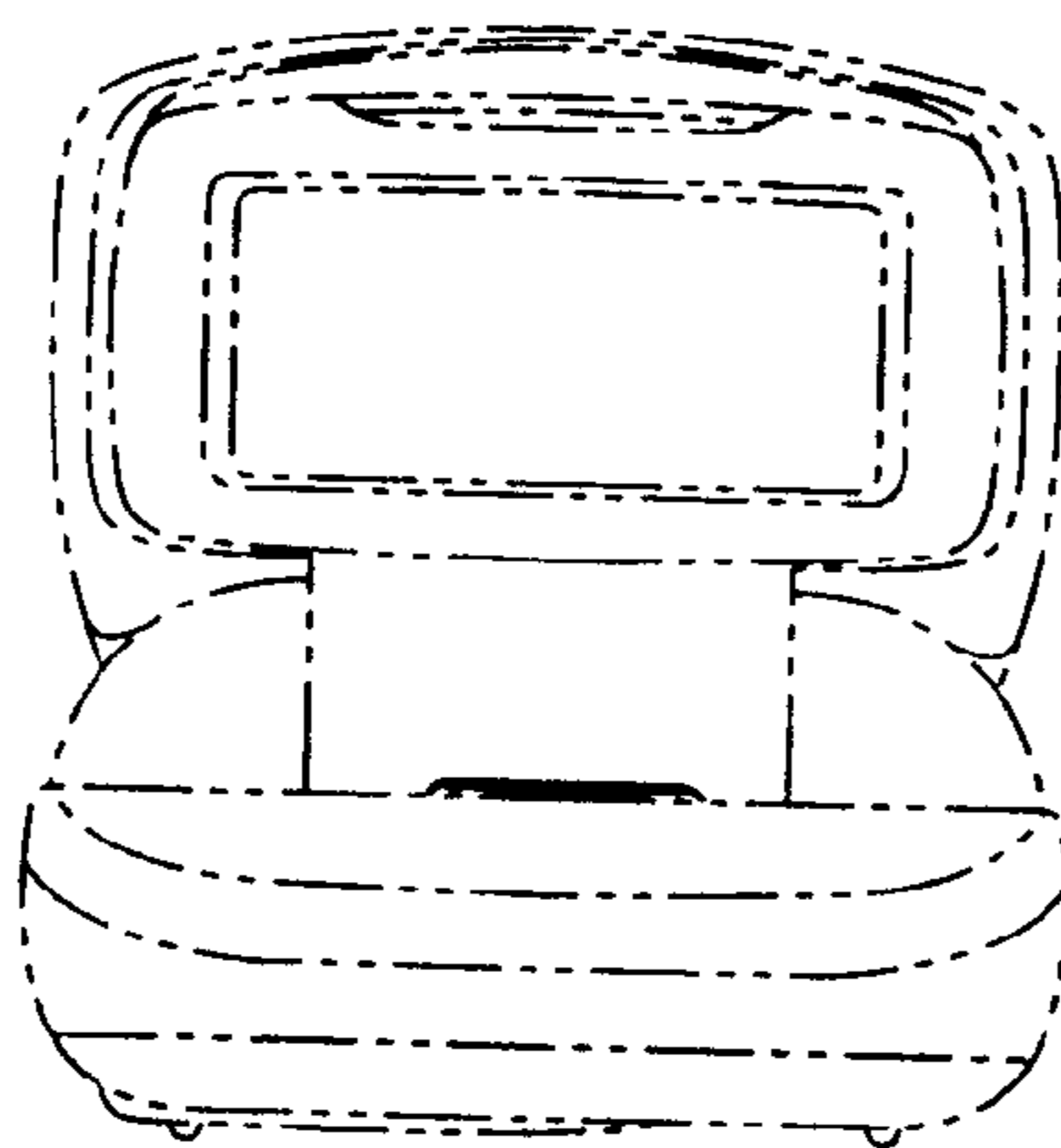


Fig. 7