



US00D509498S

(12) **United States Design Patent** (10) **Patent No.:** **US D509,498 S**  
**Toh** (45) **Date of Patent:** **\*\* Sep. 13, 2005**

(54) **LOUDSPEAKER UNIT**

(75) Inventor: **Boon Keat Eddy Toh**, Singapore (SG)

(73) Assignee: **Creative Technology Ltd.**, Singapore (SG)

(\*\*) Term: **14 Years**

(21) Appl. No.: **29/210,305**

(22) Filed: **Jul. 29, 2004**

(51) **LOC (8) Cl.** ..... **14-01**

(52) **U.S. Cl.** ..... **D14/211; D14/215**

(58) **Field of Search** ..... D14/204, 207,  
D14/209-216, 356; 181/143-144, 147-148,  
150, 157, 198-199, 151, 153; 381/300-302,  
306, 333, 345, 361-364, 386-388, 332,  
336

(56) **References Cited**

**U.S. PATENT DOCUMENTS**

D468,291 S	*	1/2003	Solland	.....	D14/215
D471,895 S	*	3/2003	Hovanky et al.	.....	D14/215
D483,026 S	*	12/2003	Koskinen	.....	D14/211
D486,143 S	*	2/2004	Allen	.....	D14/215
D497,612 S	*	10/2004	Olson	.....	D14/216
D498,229 S	*	11/2004	Allen	.....	D14/211

**OTHER PUBLICATIONS**

AMAZON.COM web site featuring Altec Lansing 2100 2.1 Computer Speakers (3-Speaker, Black & Silver) for sale, Date first available for sale on Amazon: May 14, 2003, 3 pages.

AMAZON.COM web site featuring Harman Kardon Champagne 2.1 Computer Speakers (3-Speaker, Burgundy) for sale, Date first available for sale on Amazon: Jun. 21, 2002, 3 pages.

AMAZON.COM web site featuring TDK S150 Tremor 2.1 Computer Speakers (3-Speaker, Black) for sale, Date first available for sale on Amazon: Apr. 8, 2002, 3 pages.

\* cited by examiner

*Primary Examiner*—Nanda Bondade

(74) *Attorney, Agent, or Firm*—P. Francois de Villiers

(57) **CLAIM**

The ornamental design for a loudspeaker unit, substantially as shown and described.

**DESCRIPTION**

FIG. 1 is a front perspective view of a loudspeaker unit in accordance with the present design;

FIG. 2 is a rear perspective view of the loudspeaker unit shown in FIG. 1;

FIG. 3 is a front view of the loudspeaker unit shown in FIG. 1;

FIG. 4 is a rear view of the loudspeaker unit shown in FIG. 1;

FIG. 5 is a left side view of the loudspeaker unit shown in FIG. 1;

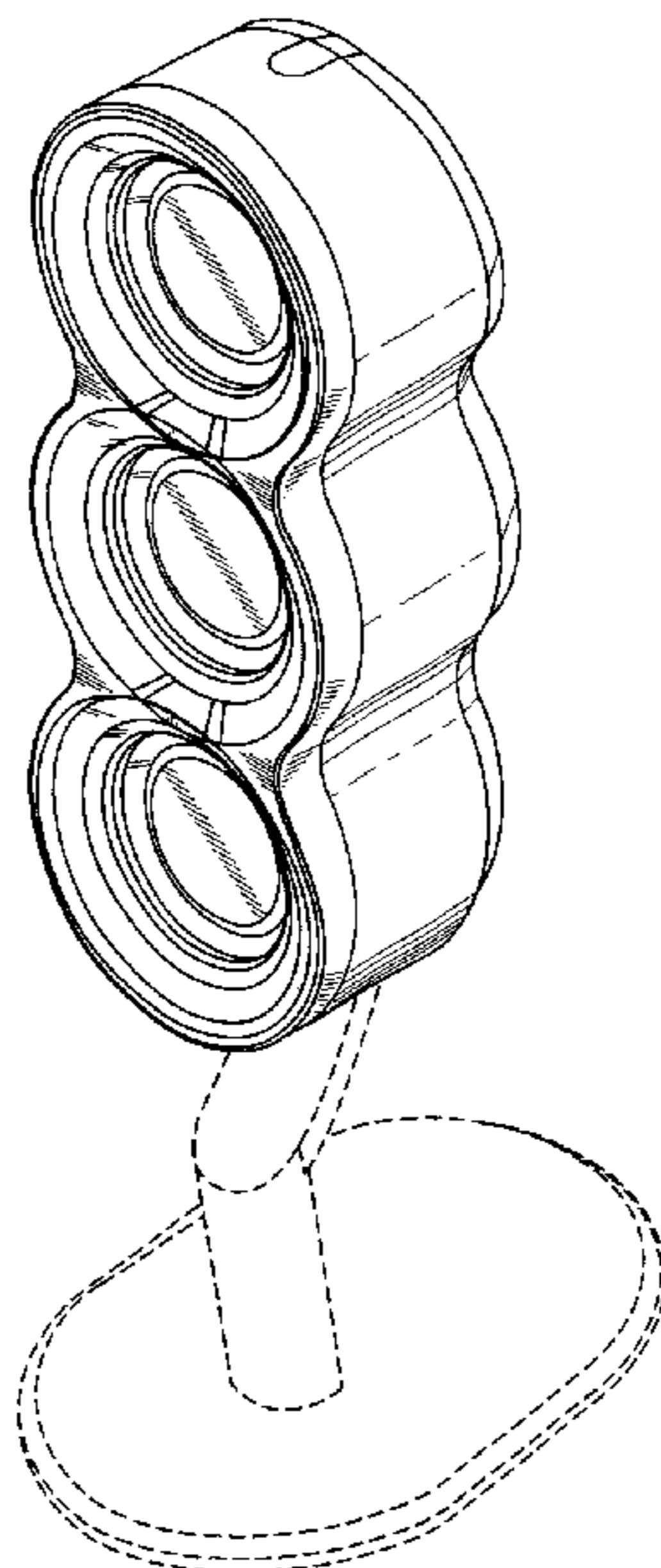
FIG. 6 is a right side view of the loudspeaker unit shown in FIG. 1;

FIG. 7 is a top view of the loudspeaker unit shown in FIG. 1; and,

FIG. 8 is a bottom view of the loudspeaker unit shown in FIG. 1.

The broken line showing on FIGS. 1-8 is for illustrative purposes only and form no part of the claimed design.

**1 Claim, 3 Drawing Sheets**



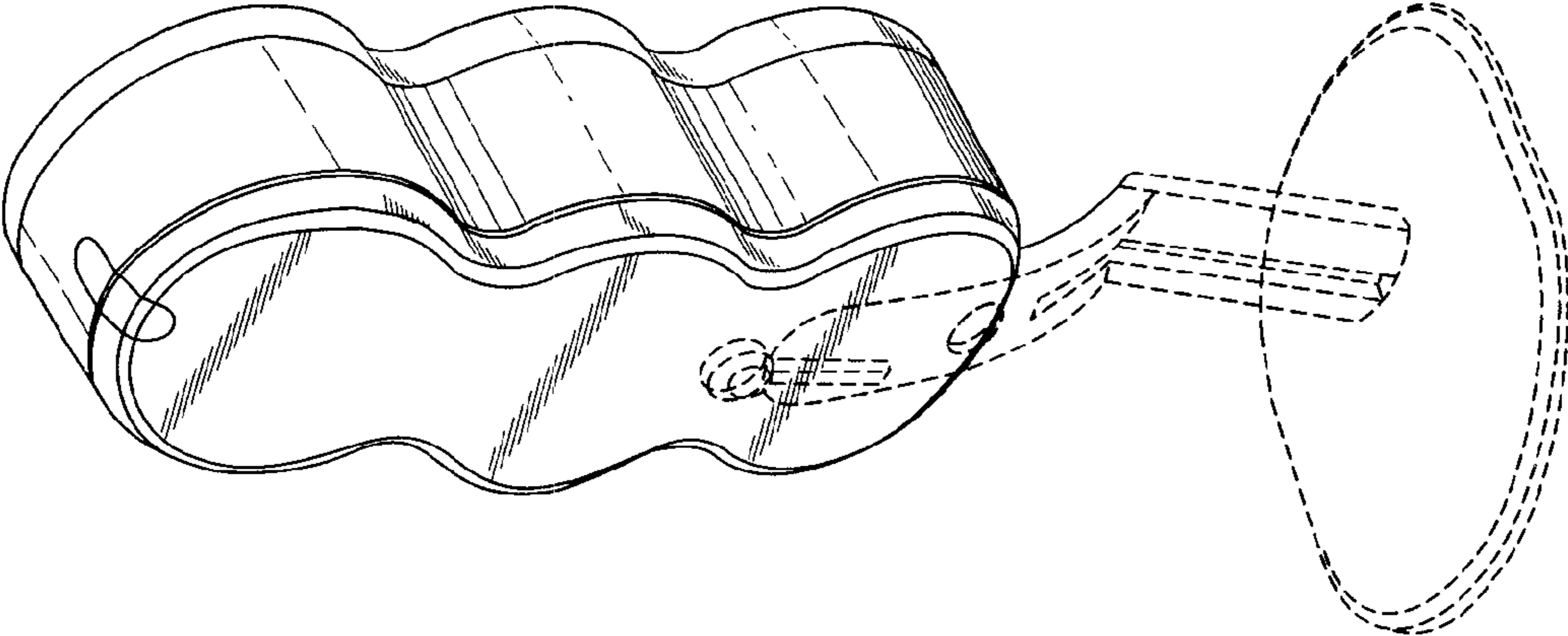


FIG. 2

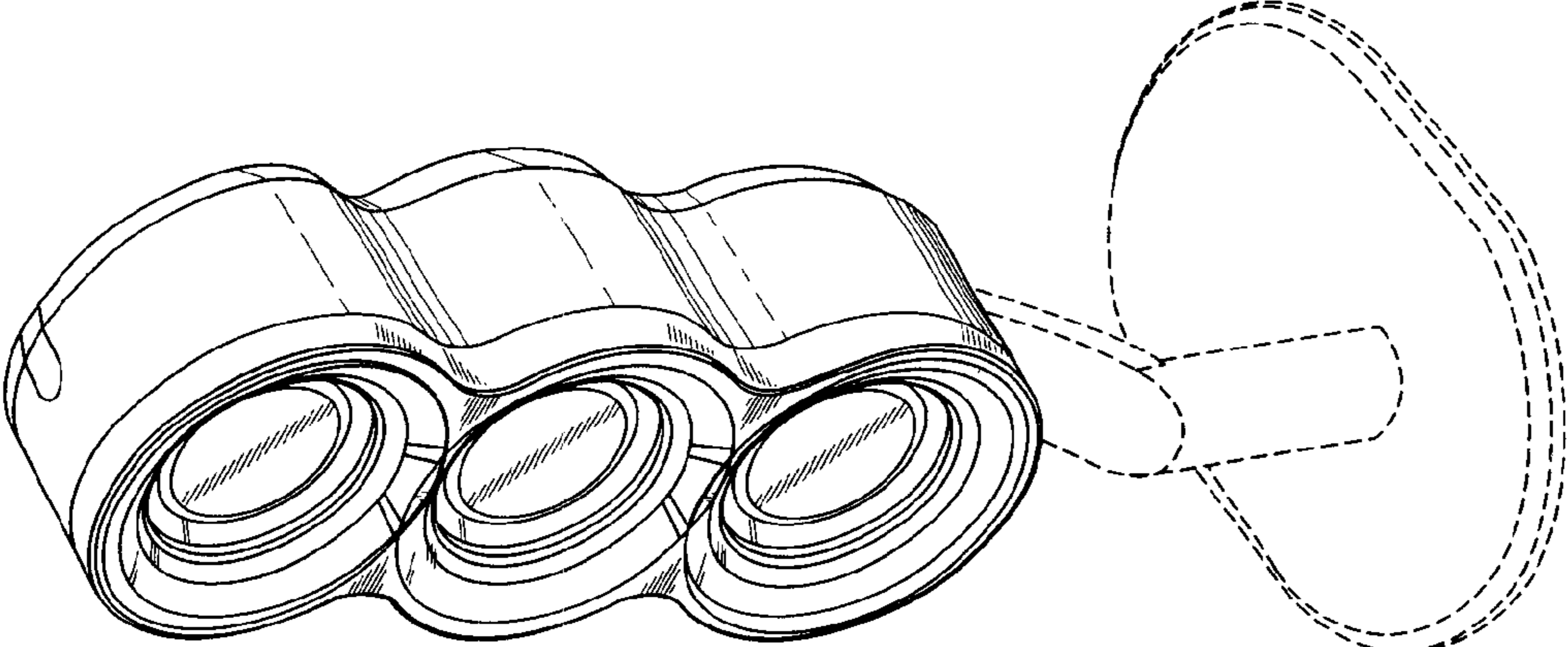


FIG. 1

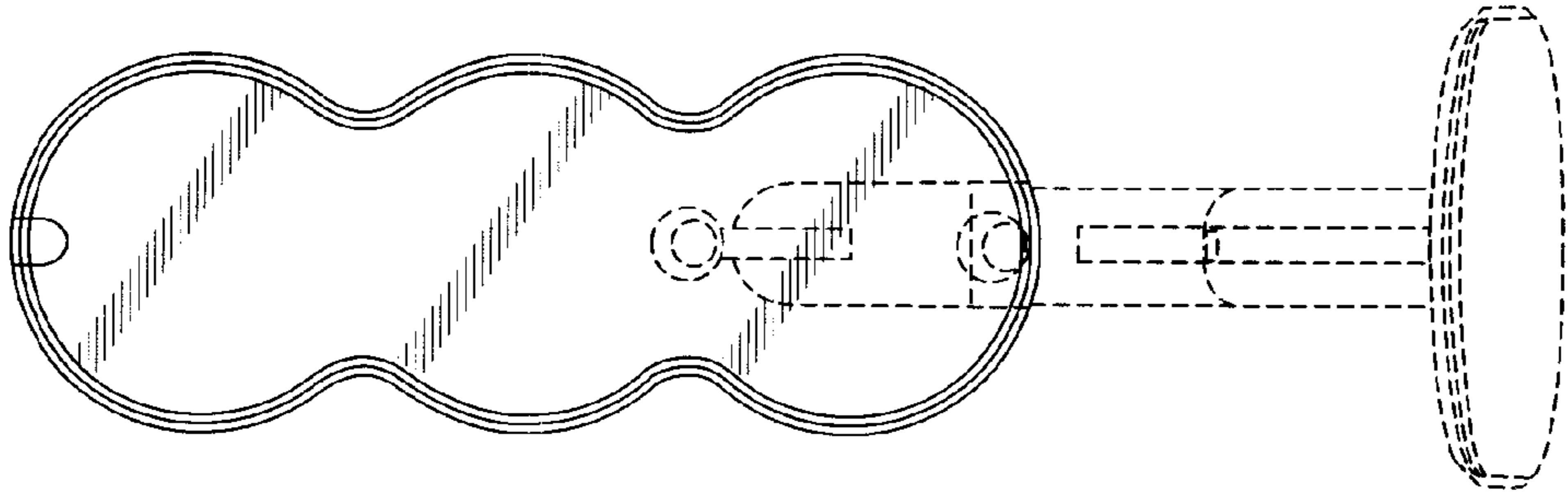


FIG. 4

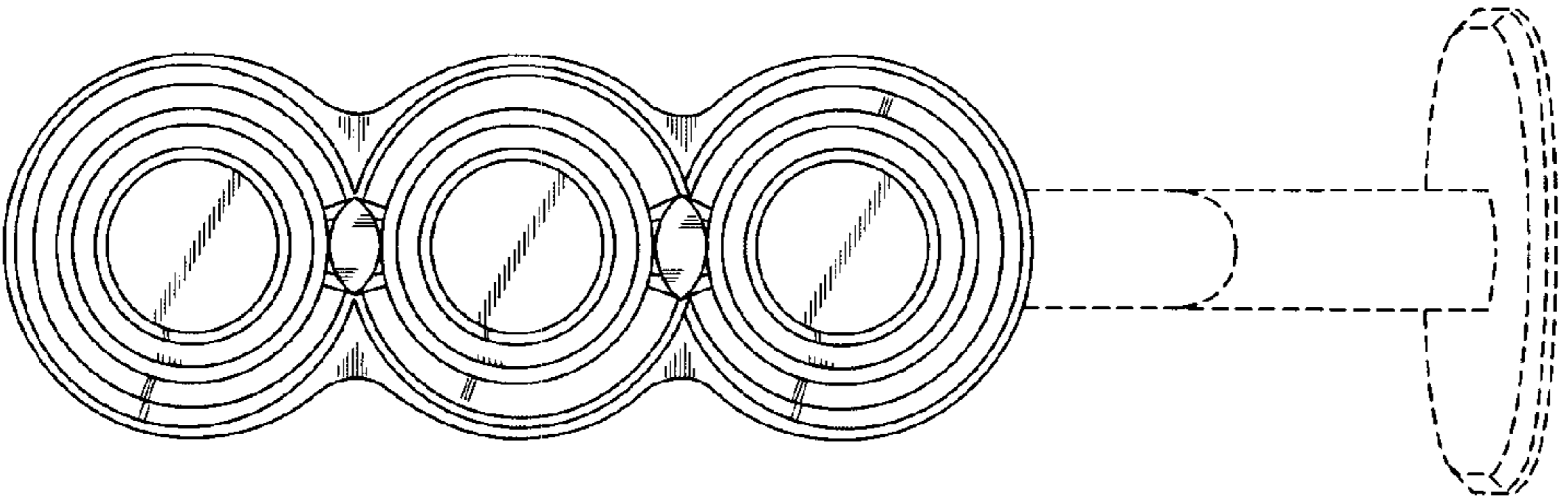


FIG. 3

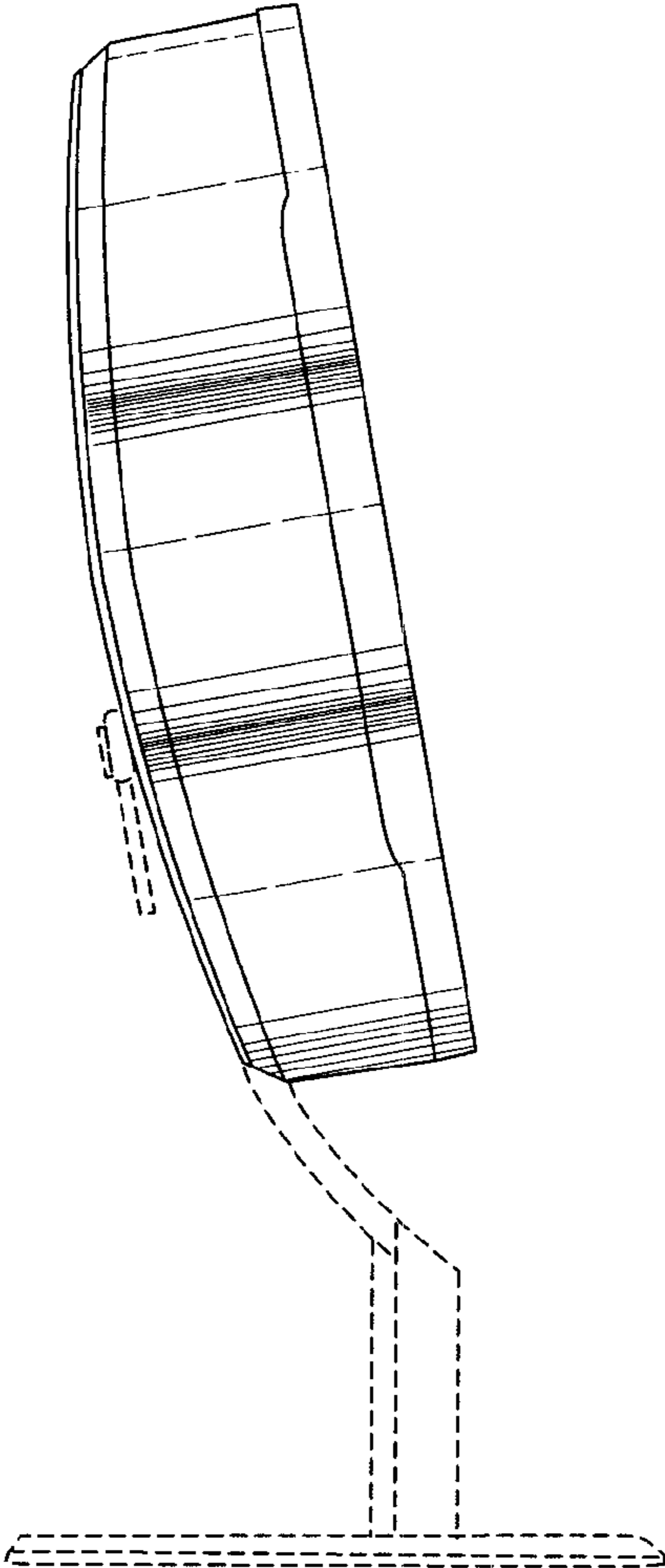


FIG. 5

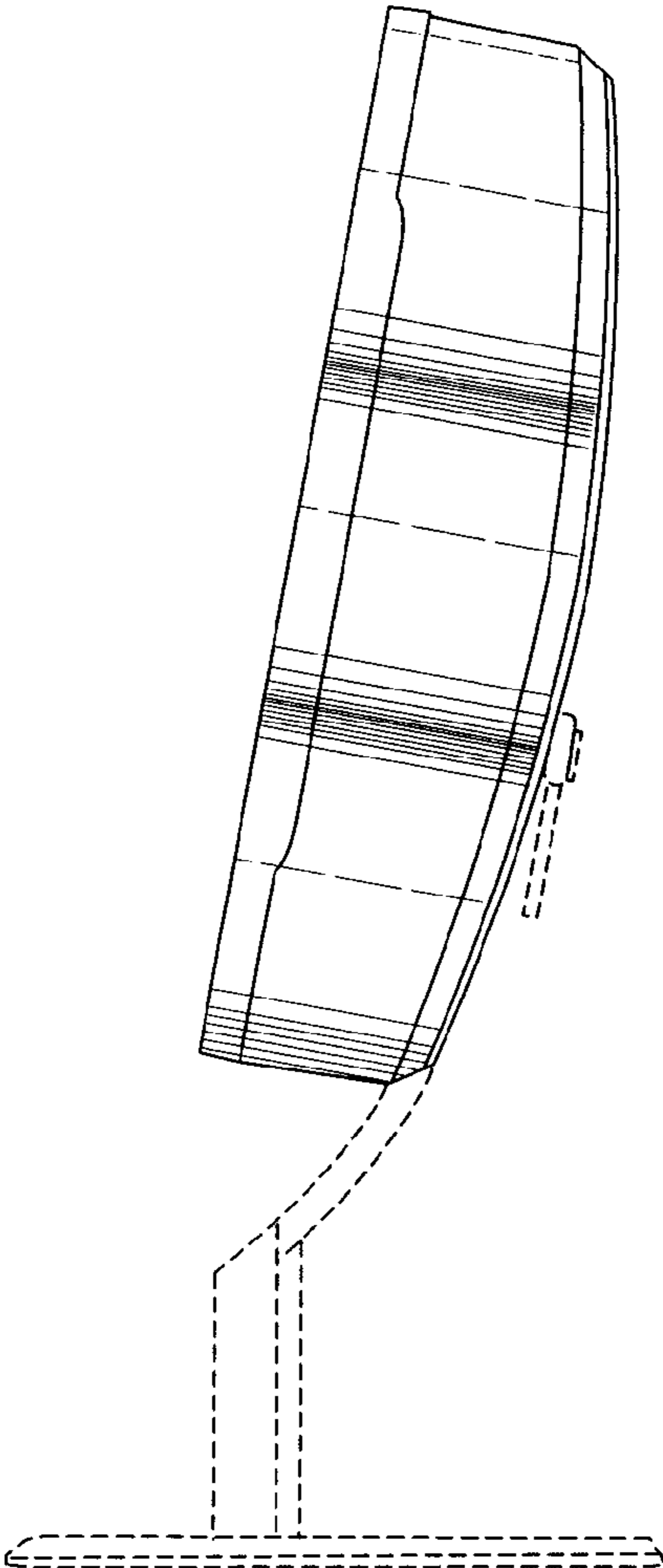


FIG. 6

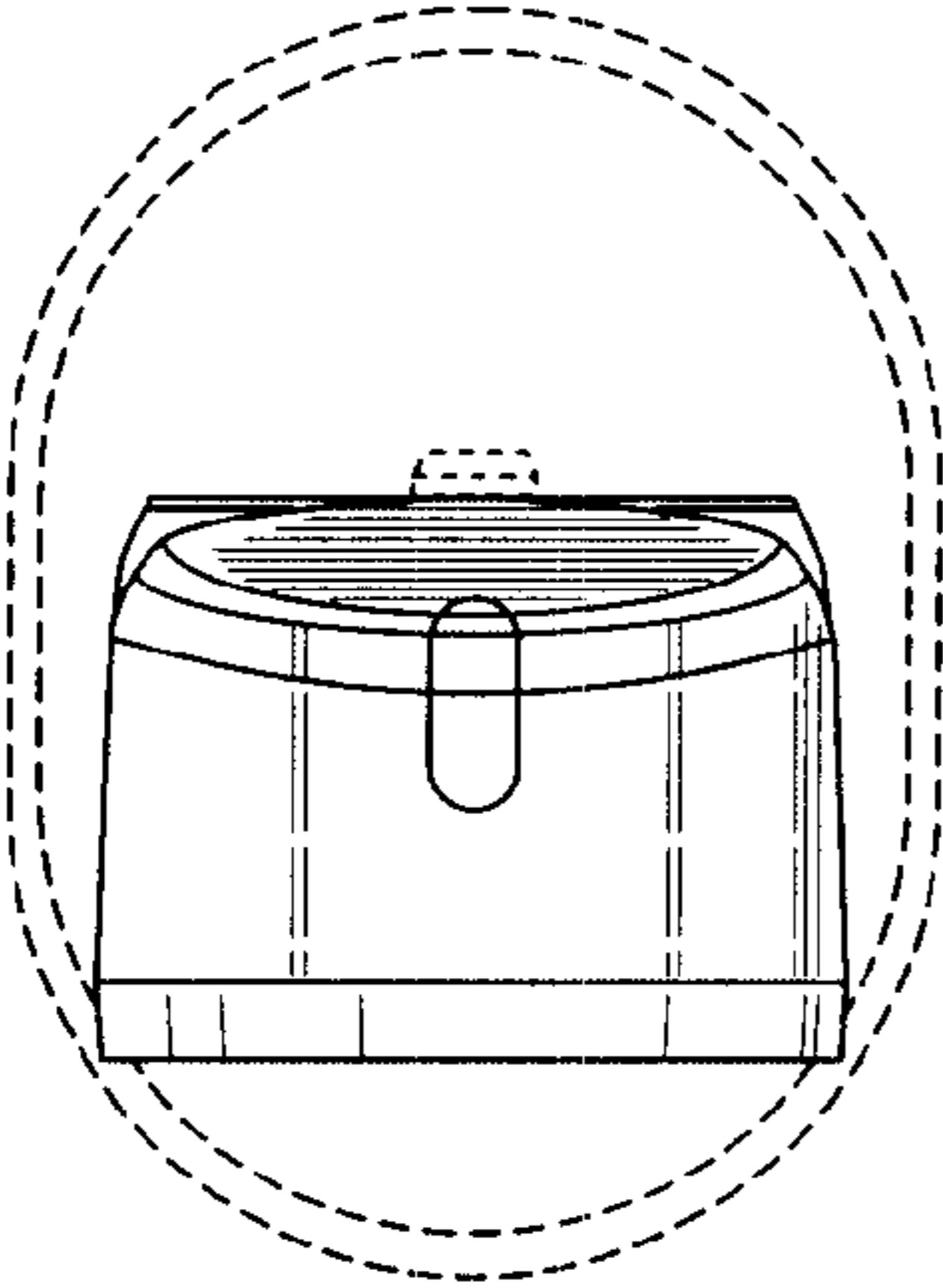


FIG. 7

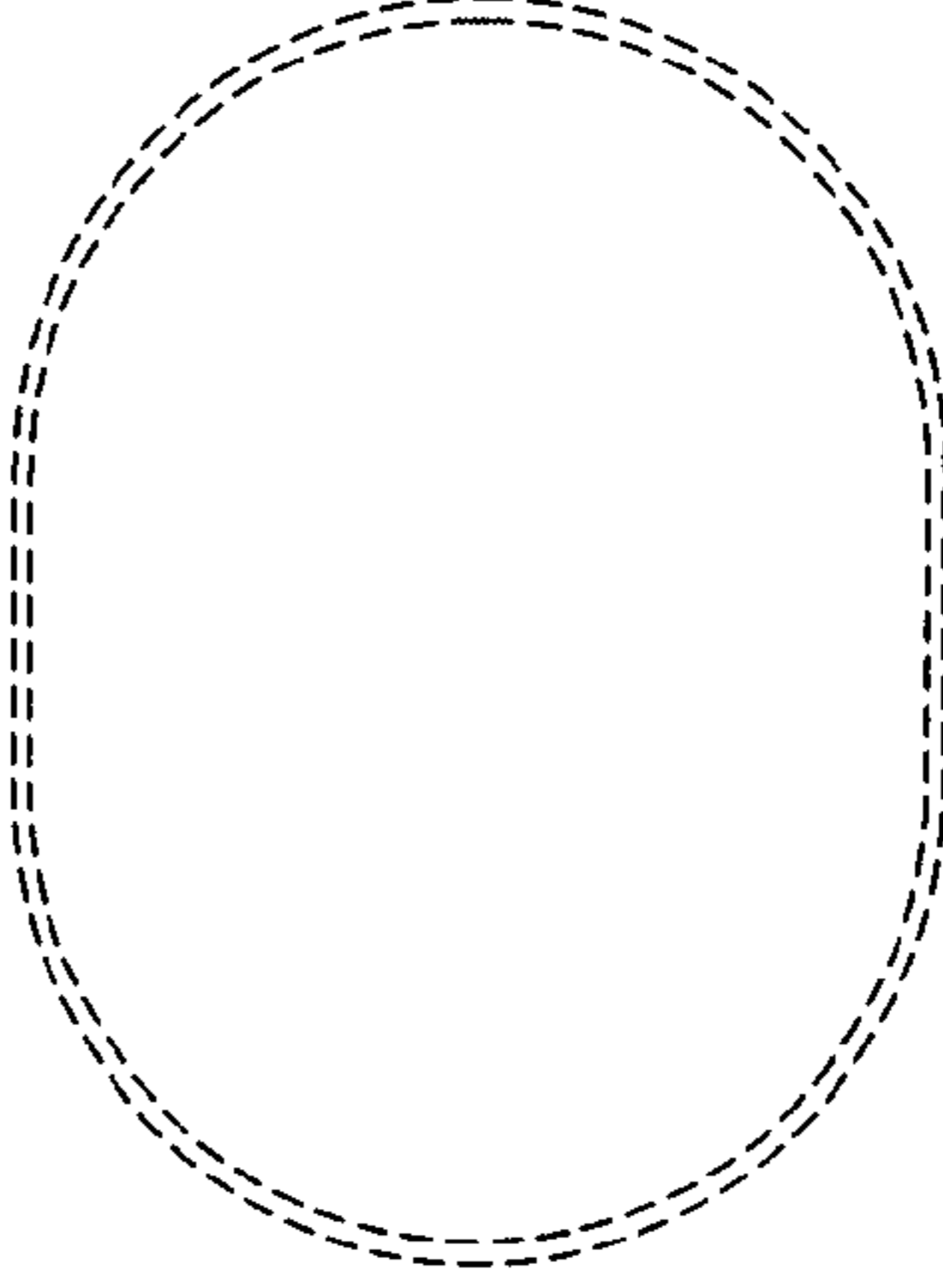


FIG. 8