

US00D509494S

(12) **United States Design Patent**  
**Cho et al.**

(10) **Patent No.:** **US D509,494 S**

(45) **Date of Patent:** **\*\* Sep. 13, 2005**

(54) **CELLULAR PHONE**

(75) Inventors: **Sang-Woo Cho**, Seoul (KR);  
**Chang-Hwan Hwang**, Goyang-si (KR);  
**Chi-Young Ahn**, Seoul (KR)

(73) Assignee: **Samsung Electronics Co., Ltd.** (KR)

(\*\*) Term: **14 Years**

(21) Appl. No.: **29/204,607**

(22) Filed: **Apr. 30, 2004**

(30) **Foreign Application Priority Data**

Oct. 31, 2003 (KR) ..... 30-2003-0030789

(51) **LOC (8) Cl.** ..... **14-03**

(52) **U.S. Cl.** ..... **D14/138**

(58) **Field of Search** ..... D14/137, 138,  
D14/147-148, 247-248, 144, 341-347;  
379/433.01-433.13, 434; 455/550.1-90.3,  
575.3, 566, 575.1; D21/517

(56) **References Cited**

**U.S. PATENT DOCUMENTS**

- D89,985 S \* 5/1933 Bergaud ..... D28/78
- 5,566,226 A \* 10/1996 Mizoguchi et al. .... 455/558
- D379,983 S \* 6/1997 Shindou ..... D14/138
- D405,081 S \* 2/1999 Nagele et al. .... D14/138
- D414,486 S \* 9/1999 Zambotti et al. .... D14/138
- D433,017 S \* 10/2000 Martinez ..... D14/346
- 6,240,302 B1 \* 5/2001 Harrison ..... 455/556.1
- 6,254,249 B1 \* 7/2001 Kim et al. .... 362/109
- D446,201 S \* 8/2001 Kim ..... D14/138
- D451,485 S \* 12/2001 Moss ..... D14/138
- 6,516,202 B1 \* 2/2003 Hawkins et al. .... 455/556.2
- D479,522 S \* 9/2003 Minamide et al. .... D14/248
- 6,665,550 B1 \* 12/2003 Muller ..... 455/575.1
- D486,461 S \* 2/2004 Seo et al. .... D14/138
- D489,344 S \* 5/2004 Lee et al. .... D14/138
- D491,907 S \* 6/2004 Ogawa ..... D14/138
- D496,021 S \* 9/2004 Jang ..... D14/138

- D496,347 S \* 9/2004 Choi et al. .... D14/191
- D497,893 S \* 11/2004 Hwang et al. .... D14/138
- D501,839 S \* 2/2005 Lee et al. .... D14/138
- D502,457 S \* 3/2005 Eigenstetter et al. .... D14/138
- D502,459 S \* 3/2005 Lee et al. .... D14/138
- 2002/0022503 A1 \* 2/2002 Lee ..... 455/566
- 2002/0068601 A1 \* 6/2002 Lindell ..... 455/550
- 2002/0127977 A1 \* 9/2002 Tabata ..... 455/90
- 2004/0214610 A1 \* 10/2004 Tanemura et al. .... 455/566

**FOREIGN PATENT DOCUMENTS**

- JP 1140985 \* 5/2002
- JP 1154363 \* 9/2002
- WO DM/064560 \* 10/2003

\* cited by examiner

*Primary Examiner*—Jeffrey Asch

(74) *Attorney, Agent, or Firm*—Cantor Colburn LLP

(57) **CLAIM**

We claim, the ornamental design for a cellular phone, as shown and described.

**DESCRIPTION**

FIG. 1 is a top and front perspective view of a cellular phone, showing our new design;

FIG. 2 is a front elevational view thereof;

FIG. 3 is a rear elevational view thereof;

FIG. 4 is a left side elevational view thereof;

FIG. 5 is a right side elevational view thereof;

FIG. 6 is a top elevational view thereof;

FIG. 7 is a bottom elevational view thereof;

FIG. 8 is a perspective view showing how a case can be coupled with the cellular phone; and,

FIG. 9 is perspective view showing the cellular phone coupled with a case.

The broken line showings of a case in FIGS. 8 and 9 and the dot-dash lines showing the points of attachment of the case in FIG. 8 are for illustrative purposes only and form no part of the claimed design.

**1 Claim, 3 Drawing Sheets**

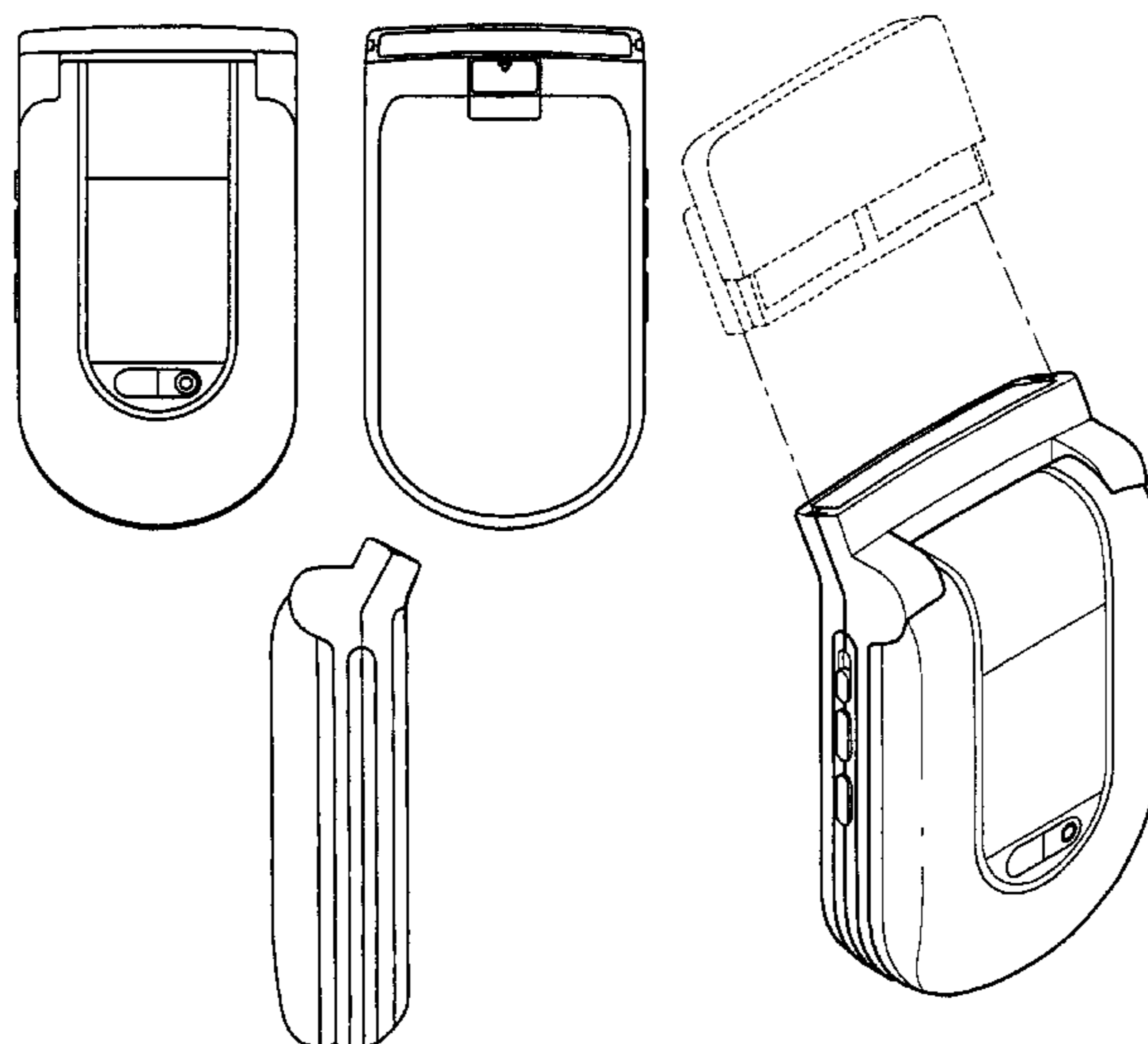


FIG. 1

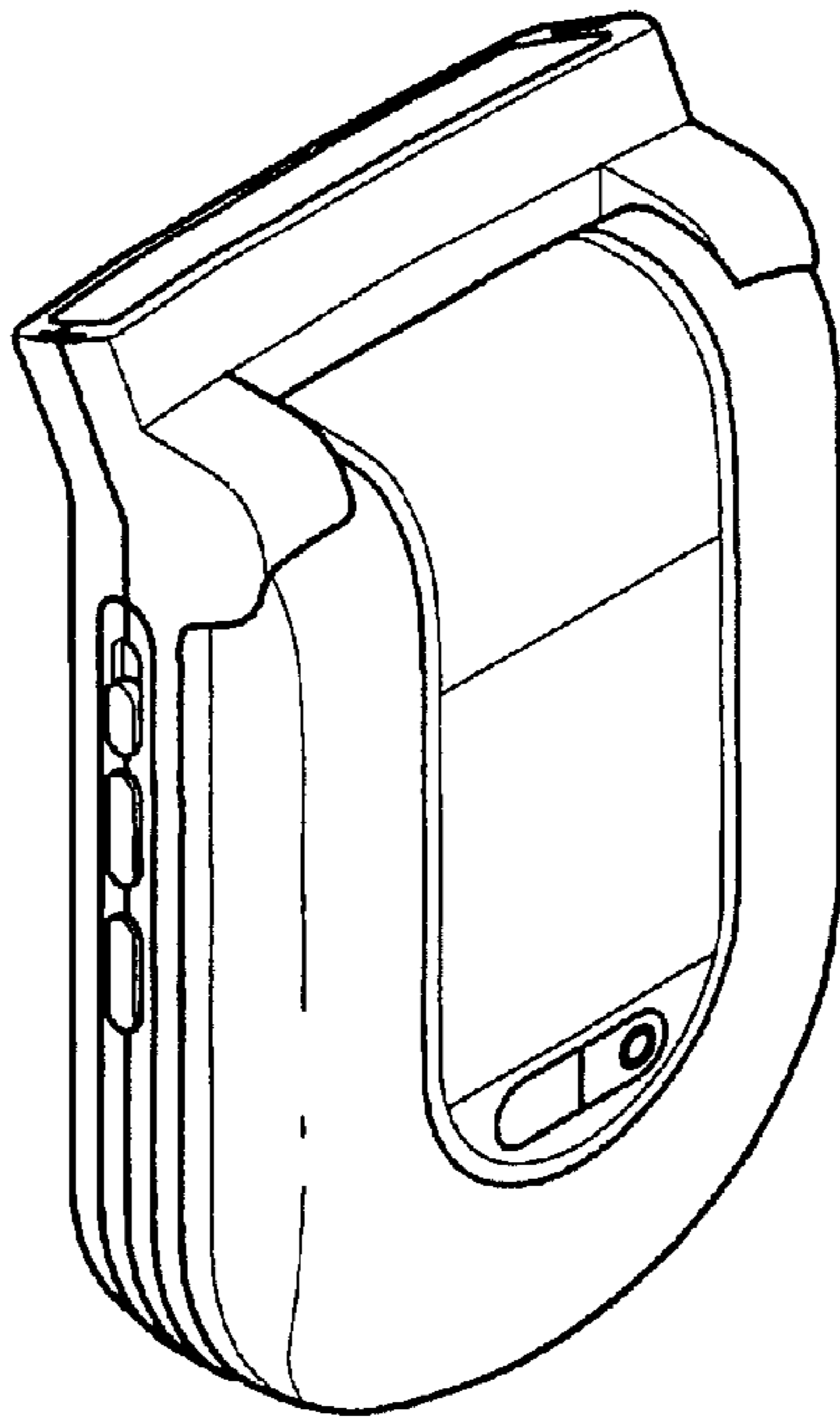


FIG. 2

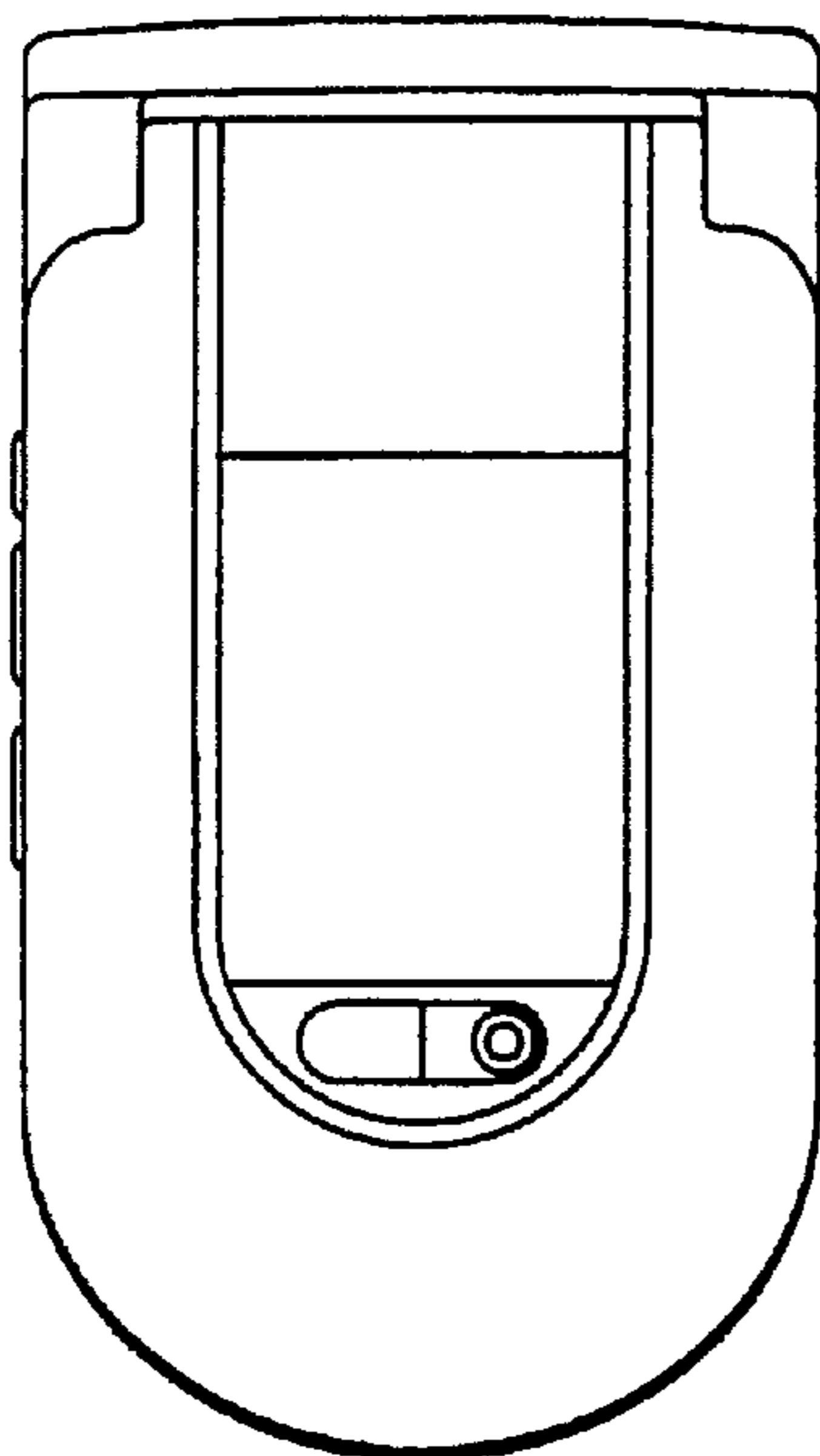


FIG. 3

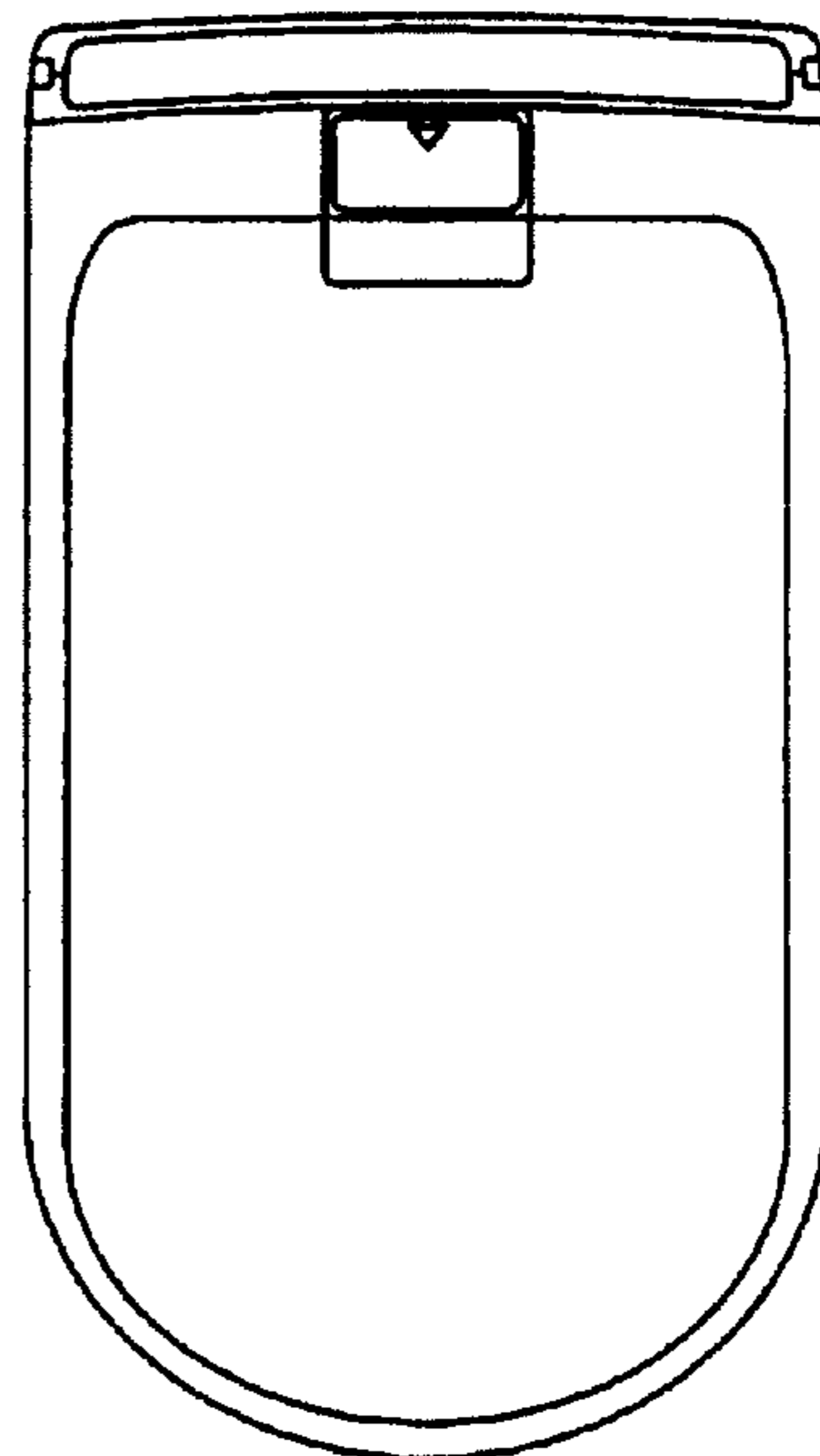


FIG.4

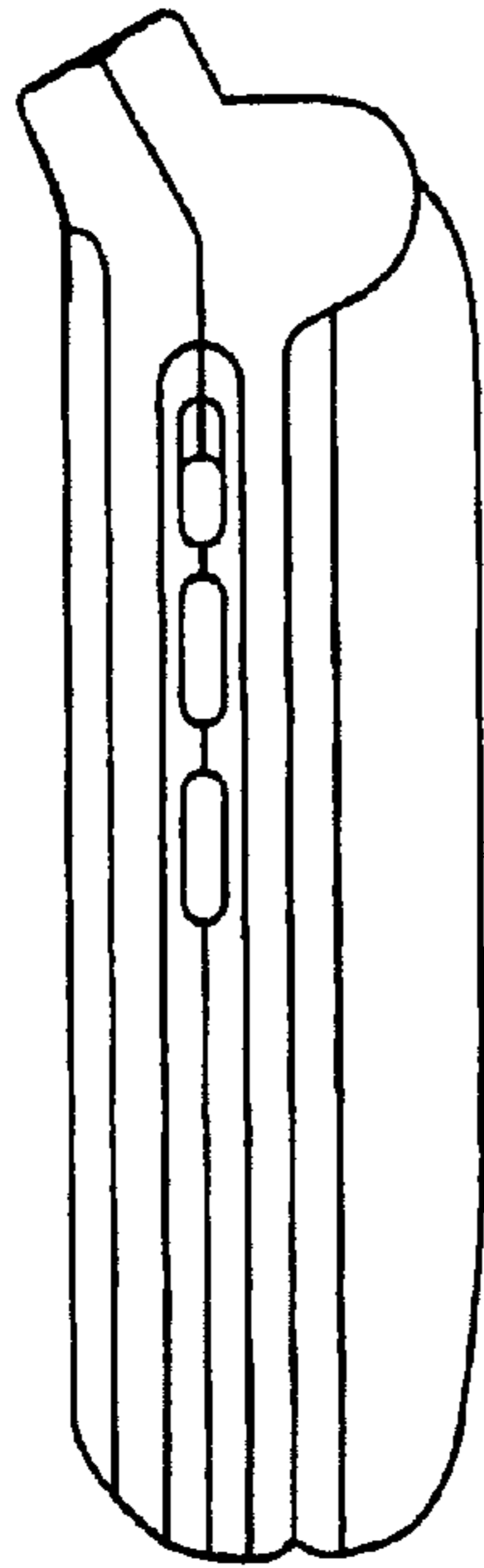


FIG.5

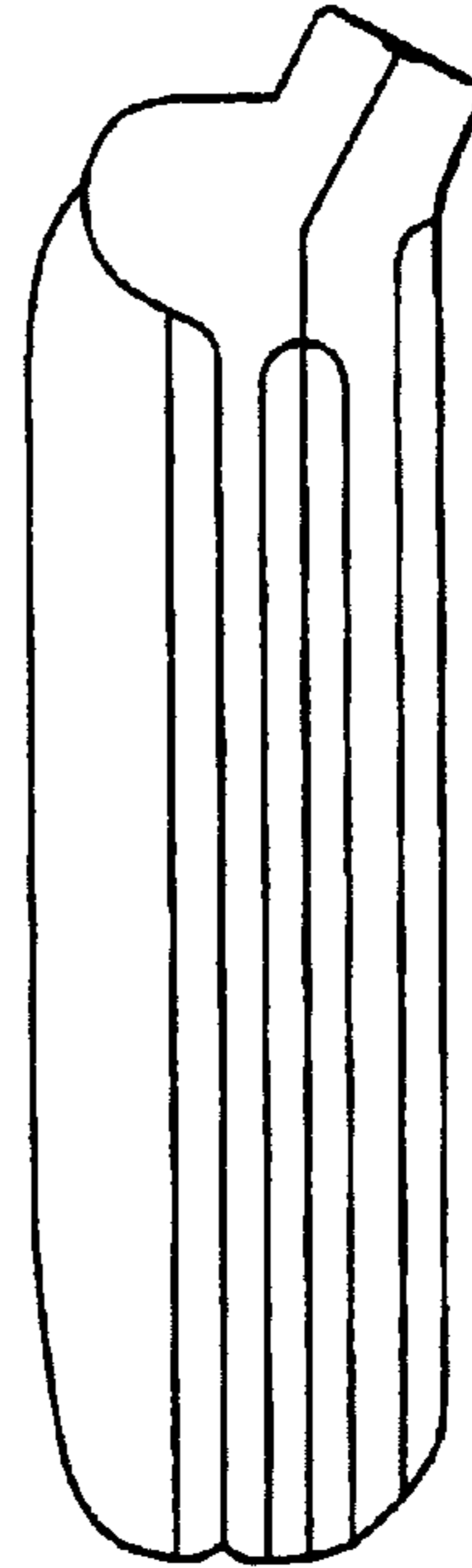


FIG.6

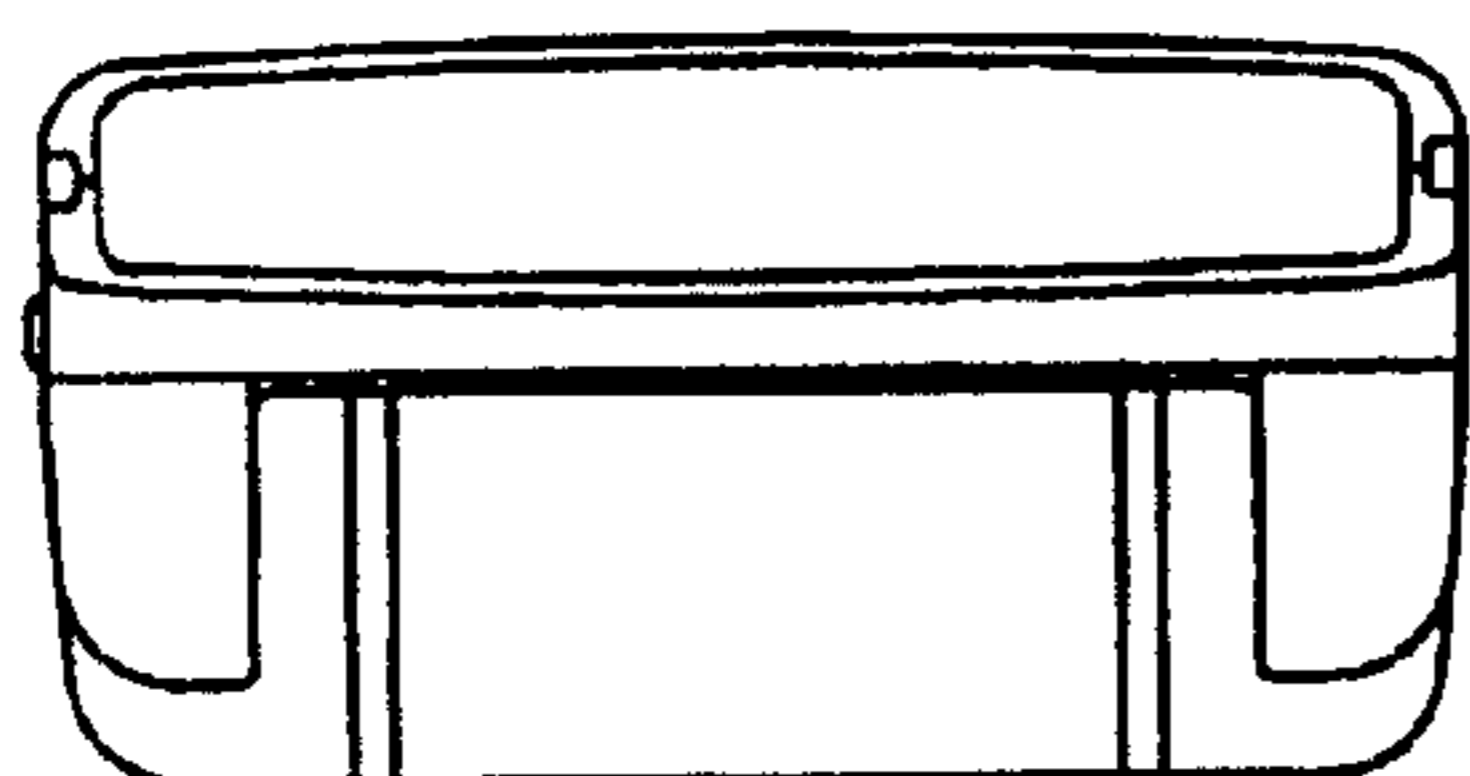
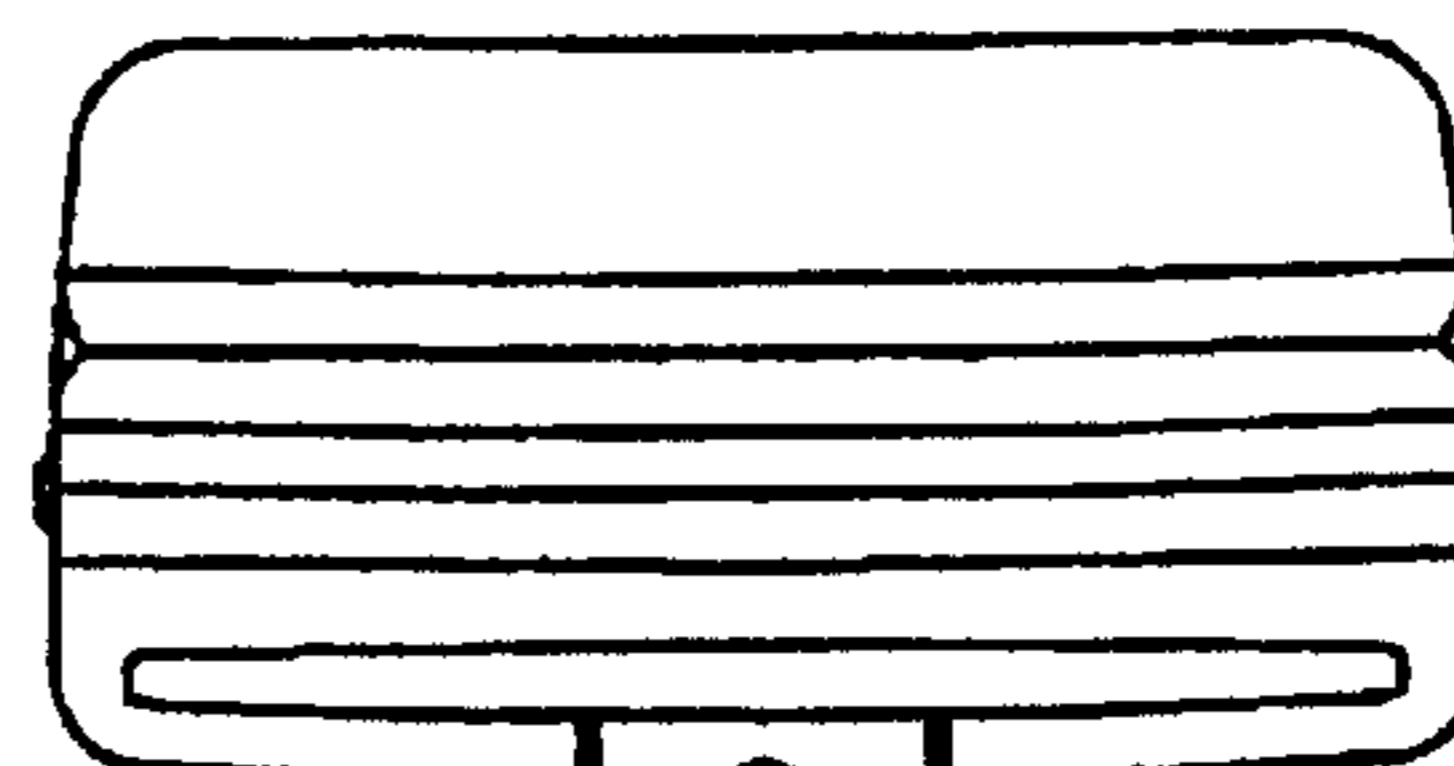
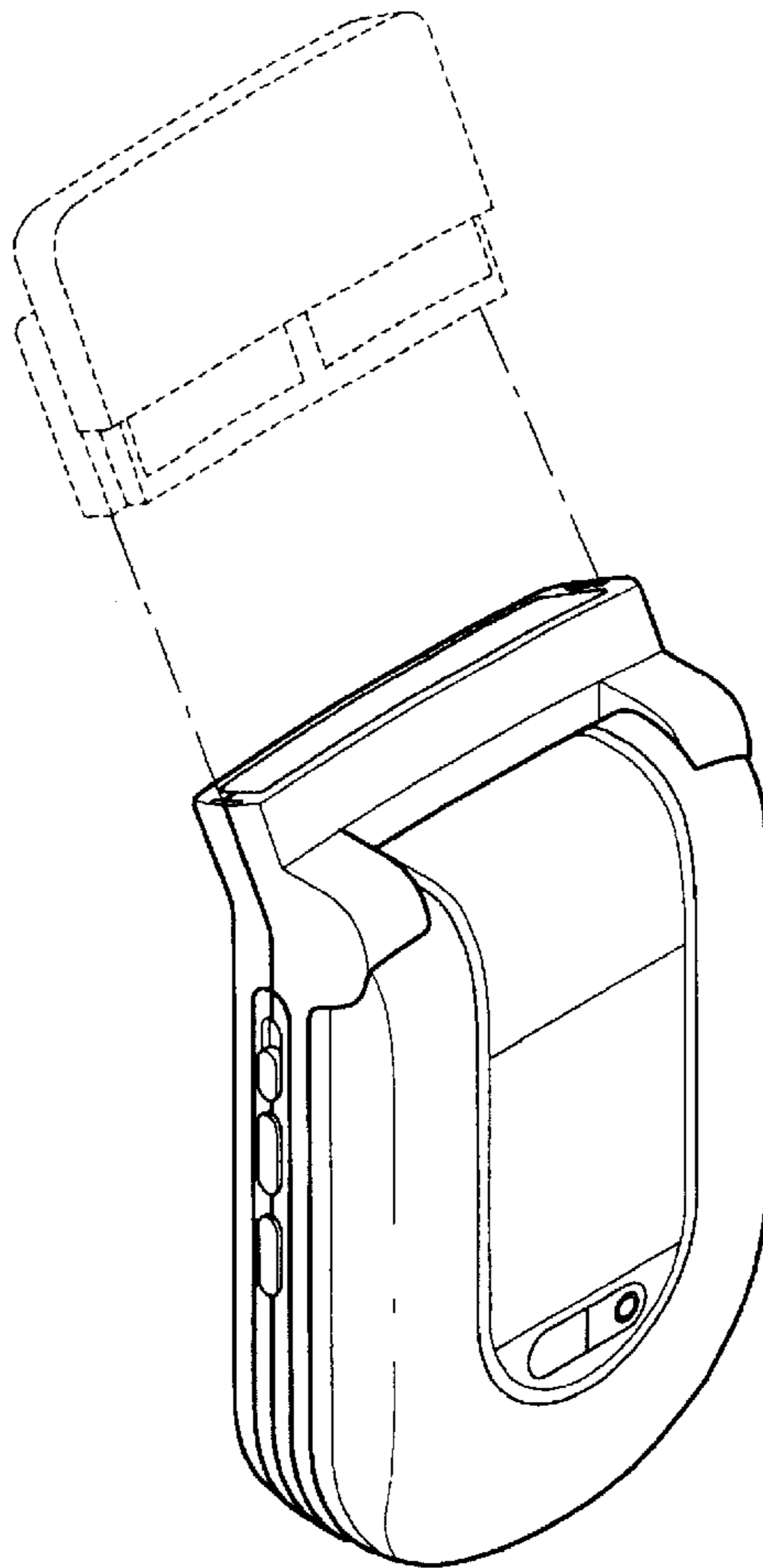


FIG.7



**FIG.8**



**FIG.9**

