



US00D509493S

(12) **United States Design Patent** (10) **Patent No.:** **US D509,493 S**  
**Winebrenner et al.** (45) **Date of Patent:** **\*\* Sep. 13, 2005**

(54) **WIRELESS MOBILE TELEPHONE**

(75) Inventors: **Jon Winebrenner**, Richmond (CA);  
**Mark Hoeveler**, Portland, OR (US);  
**David Saylor**, Portland, OR (US);  
**Ichiang Sun**, Portland, OR (US);  
**Jamian Russell Cobbett**, Portland, OR  
(US); **Stephen Matthew McCallion**,  
Portland, OR (US)

(73) Assignee: **Sierra Wireless, Inc.**, Richmond (CA)

(\*\*) Term: **14 Years**

(21) Appl. No.: **29/187,775**

(22) Filed: **Aug. 6, 2003**

(51) **LOC (8) Cl.** ..... **14-03**

(52) **U.S. Cl.** ..... **D14/138; D14/345**

(58) **Field of Search** ..... D14/137, 138,  
D14/218, 147-148, 247-248, 144, 341-347;  
379/433.01-433.13, 419, 434, 428.01-428.04,  
420.01-420.04, 440; D10/65, 78; 455/550.1-90.3;  
D21/517; D13/168; D18/2, 7; 345/168,  
169

(56) **References Cited**

**U.S. PATENT DOCUMENTS**

4,180,336 A 12/1979 Lonsdale  
D296,692 S 7/1988 Besford et al.  
D304,175 S 10/1989 Sakaguchi et al.

(Continued)

**FOREIGN PATENT DOCUMENTS**

EP 0933908 A2 8/1999  
EP 0933908 A3 8/1999  
EP 1137239 A1 8/1999  
TW 282599 8/1996  
WO WO/96/23251 3/1996  
WO WO/98/19434 5/1998  
WO WO/00/54479 9/2000

**OTHER PUBLICATIONS**

MacKenzie, I. Scott, et al, "A Model of Two-Thumb Text Entry", Proceedings of Graphics Interface, Toronto: Canada Information Processing Society, (2002), pp 117-124.

MacKenzie, I. Scott, et al, "Text Entry for Mobile Computing: Models and Methods, Theory and Practice", Human-Computer Interaction, (2002), pp. 147-198.

Sony Clie Plaza, CLIE PEG-NX70V, <http://www.dieplaza.com/en/product/nx70v/70v.html>, printed May 24, 2004.

(Continued)

*Primary Examiner*—Jeffrey Asch

(74) *Attorney, Agent, or Firm*—Thelen Reid & Priest, LLP

(57) **CLAIM**

The ornamental design for a wireless mobile telephone, as shown and described.

**DESCRIPTION**

FIG. 1 is a perspective view of the wireless mobile telephone.

FIG. 2 is a perspective view of the wireless mobile telephone with an open keyboard.

FIG. 3 is a front view of the wireless mobile telephone.

FIG. 4 is a front view of the wireless mobile telephone with an open keyboard.

FIG. 5 is a right side view of the wireless mobile telephone.

FIG. 6 is a right side view of the wireless mobile telephone with an open keyboard.

FIG. 7 is a left side view of the wireless mobile telephone.

FIG. 8 is a left side view of the wireless mobile telephone with an open keyboard.

FIG. 9 is a top view of the wireless mobile telephone.

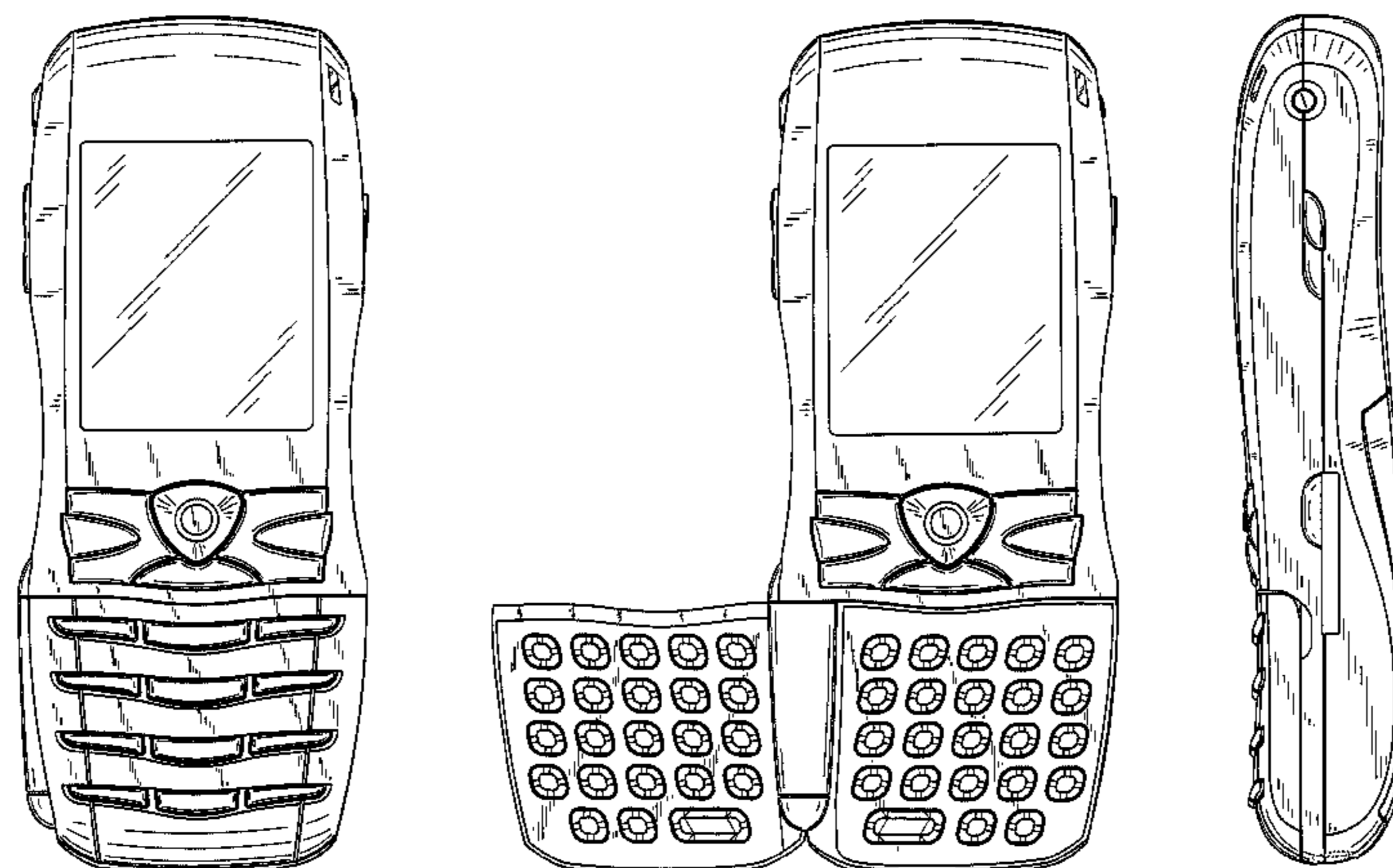
FIG. 10 is a top view of the wireless mobile telephone with an open keyboard.

FIG. 11 is a bottom view of the wireless mobile telephone; and,

FIG. 12 is a bottom view of the wireless mobile telephone with an open keyboard.

The broken line showings throughout the views are for illustrative purposes only and form no part of the claimed invention.

**1 Claim, 7 Drawing Sheets**



U.S. PATENT DOCUMENTS

D312,628 S 12/1990 Yokoi et al.  
 D313,401 S 1/1991 Tanabe  
 D313,413 S 1/1991 Langton  
 D338,461 S \* 8/1993 Paton et al. .... D14/138  
 5,337,346 A \* 8/1994 Uchikura ..... 455/556.2  
 5,584,054 A \* 12/1996 Tyneski et al. .... 455/566  
 5,644,338 A 7/1997 Bowen  
 5,646,649 A \* 7/1997 Iwata et al. .... 345/173  
 D385,875 S \* 11/1997 Harris et al. .... D14/138  
 D390,509 S 2/1998 Antzinas et al.  
 5,719,936 A 2/1998 Hillenmayer  
 5,742,894 A 4/1998 Jambhekar  
 5,841,635 A 11/1998 Sadler et al.  
 D402,572 S 12/1998 Han  
 D416,256 S 11/1999 Griffin et al.  
 6,014,552 A \* 1/2000 Aiken et al. .... 455/575.1  
 6,073,034 A 6/2000 Jacobson et al.  
 D430,858 S \* 9/2000 Nakahara et al. .... D14/138  
 D432,511 S 10/2000 Eckholm  
 D435,248 S 12/2000 Su  
 6,167,251 A 12/2000 Segal et al.  
 D436,102 S 1/2001 Wu  
 6,223,059 B1 4/2001 Hastrup  
 6,223,291 B1 4/2001 Puhl et al.  
 D441,733 S \* 5/2001 Do et al. .... D14/138  
 D446,512 S 8/2001 Lee  
 6,278,422 B1 8/2001 Ukai et al.  
 6,297,945 B1 \* 10/2001 Yamamoto ..... 361/681  
 D451,079 S \* 11/2001 Ali ..... D14/138  
 D454,349 S \* 3/2002 Makidera et al. .... D14/343  
 D455,138 S 4/2002 Wang  
 D456,794 S 5/2002 Laverick et al.  
 6,389,267 B1 5/2002 Imai  
 D459,327 S \* 6/2002 Ali ..... D14/138  
 6,415,156 B1 7/2002 Stadelmann  
 6,452,588 B2 9/2002 Griffin et al.  
 6,480,671 B2 11/2002 Takahashi et al.  
 D467,917 S 12/2002 Tischer  
 D467,918 S \* 12/2002 Fitch et al. .... D14/347  
 6,493,560 B1 12/2002 Guan et al.  
 6,507,727 B1 1/2003 Henrick  
 D470,150 S 2/2003 Lewis, Jr. et al.  
 D470,151 S 2/2003 Lewis, Jr. et al.  
 D470,843 S \* 2/2003 Horiki ..... D14/346  
 D471,559 S 3/2003 De Saulles  
 6,535,749 B1 \* 3/2003 Iwata et al. .... 455/556.2  
 6,567,677 B1 \* 5/2003 Sokoloff ..... 379/433.02  
 D477,596 S \* 7/2003 Hayes ..... D14/343  
 D478,075 S 8/2003 Hayes  
 D478,324 S \* 8/2003 O'Neil ..... D14/138  
 D478,882 S \* 8/2003 Peng et al. .... D14/138  
 D478,883 S 8/2003 Jensfelt et al.  
 D479,213 S 9/2003 Ansley et al.  
 D479,216 S \* 9/2003 Ho-Cheun et al. .... D14/138  
 D480,057 S \* 9/2003 Ho-Cheun et al. .... D14/138  
 6,628,961 B1 \* 9/2003 Ho et al. .... 455/557  
 D481,368 S \* 10/2003 Helin ..... D14/138  
 6,643,124 B1 \* 11/2003 Wilk ..... 361/681  
 D483,022 S \* 12/2003 Lehtonen ..... D14/138  
 6,661,404 B1 \* 12/2003 Sirola et al. .... 345/168  
 D485,815 S \* 1/2004 Edoff ..... D14/138  
 D485,819 S \* 1/2004 Ahlgren ..... D14/138  
 D486,458 S \* 2/2004 Chen et al. .... D14/138  
 D487,066 S \* 2/2004 Gartrell et al. .... D14/138  
 D488,787 S \* 4/2004 Jung ..... D14/138  
 D488,790 S \* 4/2004 Peng et al. .... D14/138  
 2001/0034222 A1 10/2001 Roustaei et al.  
 2002/0051060 A1 5/2002 Wada  
 2002/0072395 A1 \* 6/2002 Miramontes ..... 455/566  
 2002/0190957 A1 \* 12/2002 Lee et al. .... 345/169

2003/0043118 A1 3/2003 Lee  
 2003/0054830 A1 3/2003 Williams et al.  
 2003/0063070 A1 4/2003 Kang  
 2003/0078069 A1 4/2003 Lindeman  
 2003/0157957 A1 \* 8/2003 Wendorff et al. .... 455/550

OTHER PUBLICATIONS

clie Personal Entertainment Organizer, <http://sonyelectronics.sonystyle.com/micros/clie/model/clie>, <http://sonyelectronics.sonystyle.com/micros/clie/model/clie/models/ux50.html>, printed May 24, 2004.  
 Samsung's Digital World—GSM SGH-V200, Samsung SGH-V200, [www.samsung.com](http://www.samsung.com), printed May 21, 2004.  
 clie Personal Entertainment Organizer, <http://sonyelectronics.sonystyle.com/micros/clie/model/clie>, <http://sonyelectronics.sonystyle.com/micros/clie/model/clie/models/th55.html>, printed May 24, 2004.  
 clie Personal Entertainment Organizer, <http://sonyelectronics.sonystyle.com/micros/clie/model/clie>, <http://sonyelectronics.sonystyle.com/micros/clie/model/clie/models/tj37.html>, printed May 24, 2004.  
 clie Personal Entertainment Organizer, <http://sonyelectronics.sonystyle.com/micros/clie/model/clie>, <http://sonyelectronics.sonystyle.com/micros/clie/model/clie/models/tj27.html>, printed May 24, 2004.  
 clie Personal Entertainment Organizer, <http://sonyelectronics.sonystyle.com/micros/clie/model/clie>, PEG-UX40, no date given.  
 clie Personal Entertainment Organizer, <http://sonyelectronics.sonystyle.com/micros/clie/model/clie>, PEG-NZ90, no date given.  
 clie Personal Entertainment Organizer, <http://sonyelectronics.sonystyle.com/micros/clie/model/clie>, PEG-NX80V, no date given.  
 clie Personal Entertainment Organizer, <http://sonyelectronics.sonystyle.com/micros/clie/model/clie>, PEG-NX73V, no date given.  
 clie Personal Entertainment Organizer, <http://sonyelectronics.sonystyle.com/micros/clie/model/clie>, PEG-TG50, no date given.  
 clie Personal Entertainment Organizer, <http://sonyelectronics.sonystyle.com/micros/clie/model/clie>, PEG-TJ35, no date given.  
 clie Personal Entertainment Organizer, <http://sonyelectronics.sonystyle.com/micros/clie/model/clie>, PEG-TJ25, no date given.  
 clie Personal Entertainment Organizer, <http://sonyelectronics.sonystyle.com/micros/clie/model/clie>, PEG-SJ22, no date given.  
 Andrew Harries et al; U.S. Appl. No. 10/330,871; filed Dec. 24, 2002; entitled: Improved Mobile Electronic Device.  
 Joseph Tosey et al; U.S. Appl. No. 10/439,722; filed May, 16, 2003; entitled: Mobile Electronic Device With Tactile Keyboard.  
 Crag Gauld et al; U.S. Appl. No. 10/358,497; filed Feb. 4, 2003; entitled: Camera Integration On A Mobile Device.  
 Ivan Miramontes; U.S. Appl. No. 10/468,721; filed Mar. 15, 2004 ; entitled: Electronic Device With Extendable Keyboard.  
 Todd Heintz et al; U.S. Appl. No. 10/750,264; filed Dec. 31, 2003; entitled: Electronic Device With Fold Out Display And/Or Keyboard.

Jon T. Winebrenner et al; U.S. Appl. No. 29/199,192; filed Feb. 9, 2004; entitled: Electronic Communication Device.  
Andrew Harries et al; U.S. Appl. No. 29/196,614; filed Dec. 31, 2003; entitled: Design For Electronic Communication Device.

Andrew Harries et al; U.S. Appl. No. 29/196,579; filed Dec. 31, 2003; entitled: Design For Keyboard Of An Electronic Communication Device.

\* cited by examiner

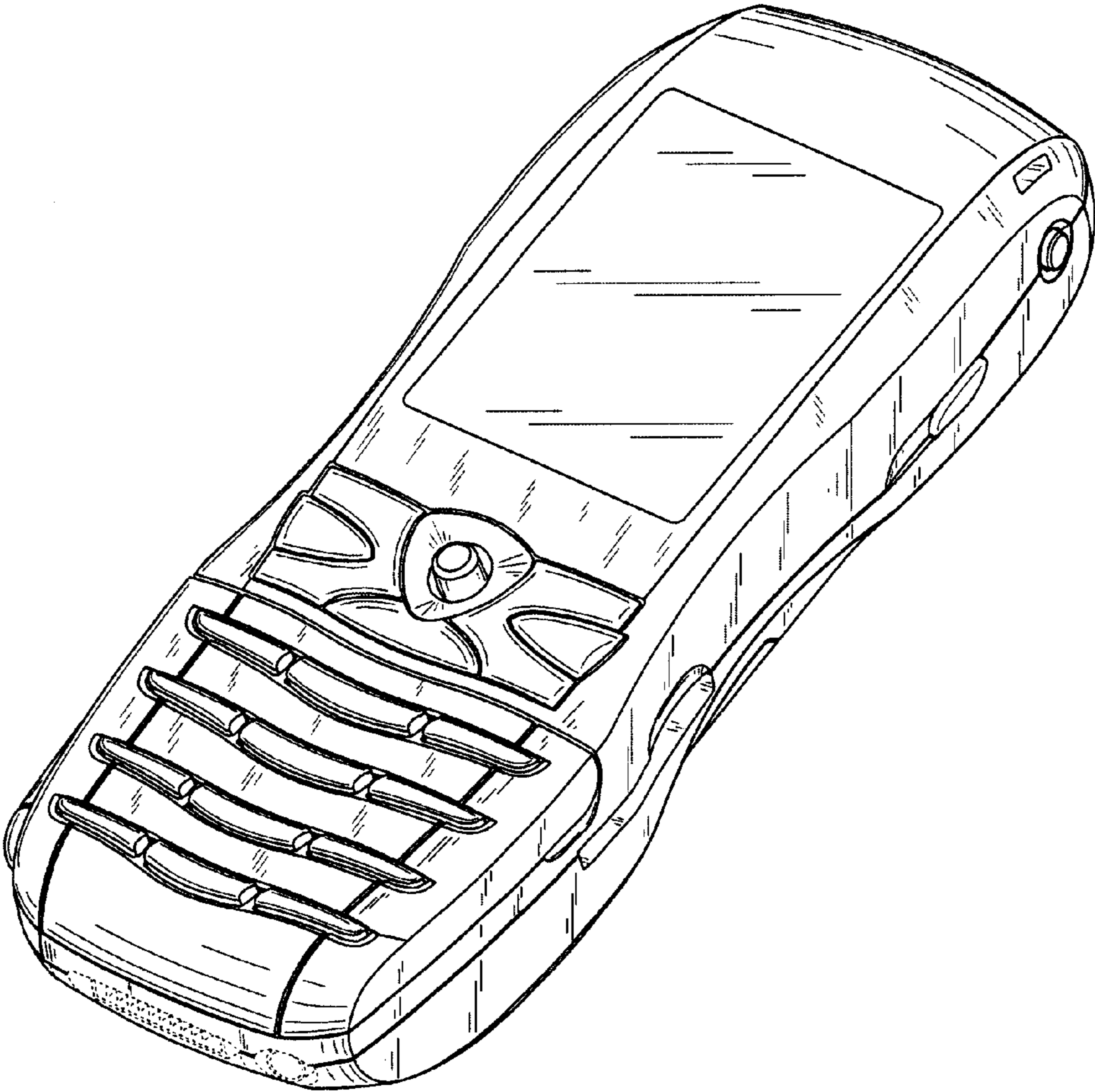


FIG. 1

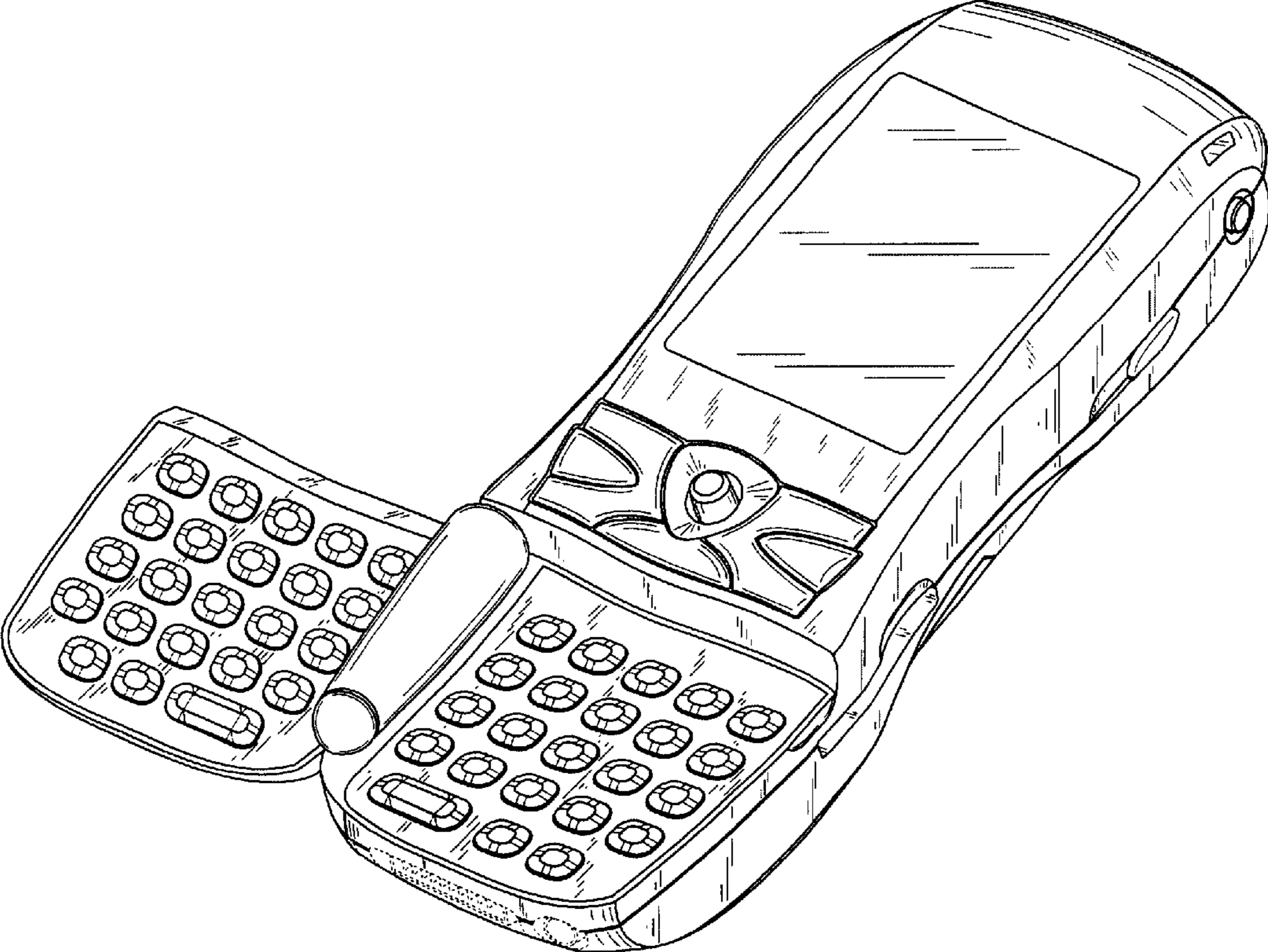


FIG. 2

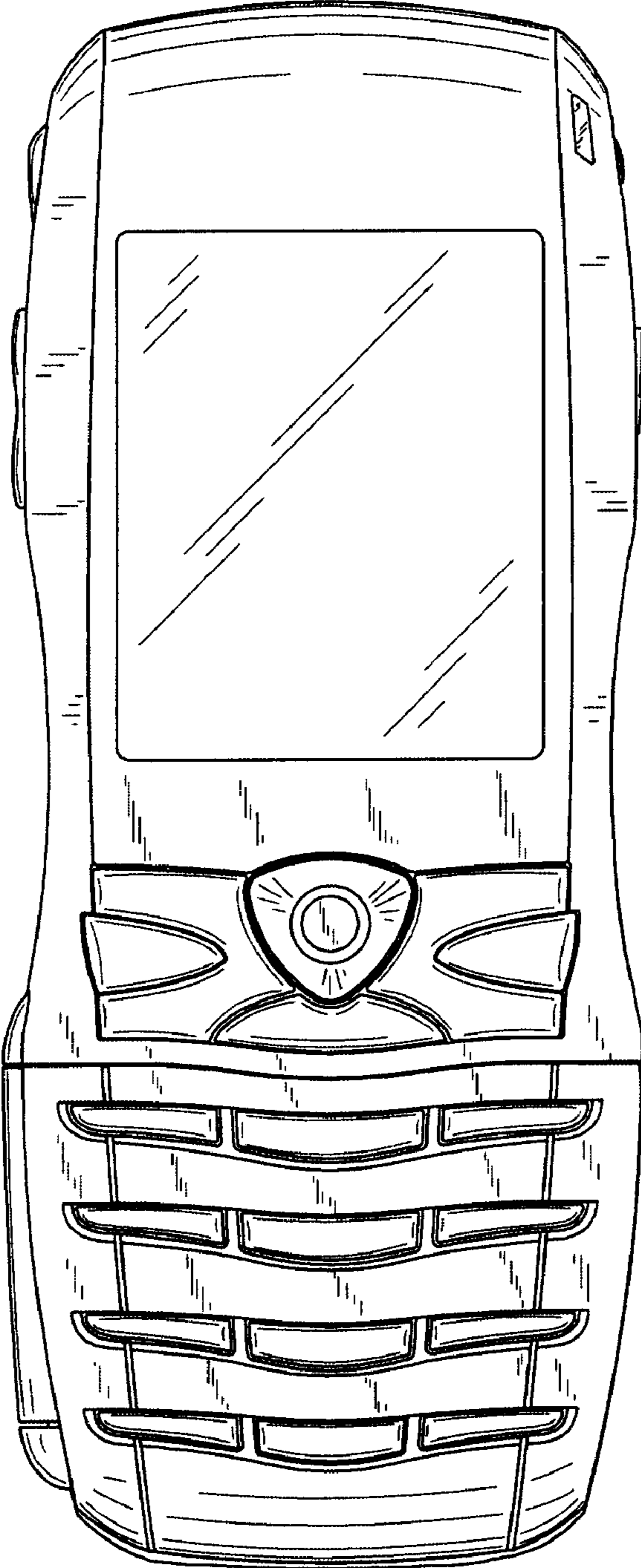


FIG. 3

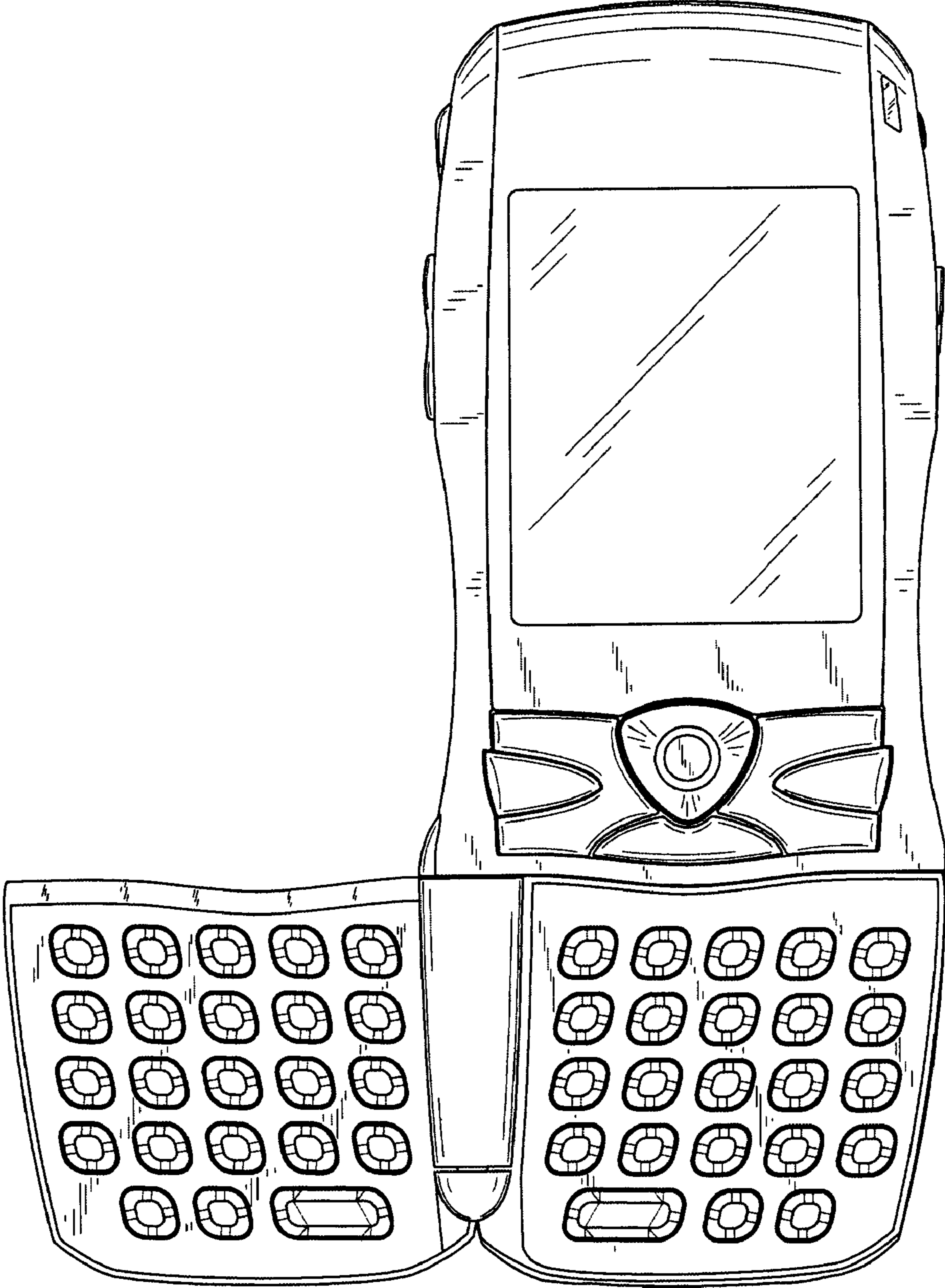


FIG. 4



FIG. 5



FIG. 6





FIG. 7



FIG. 8

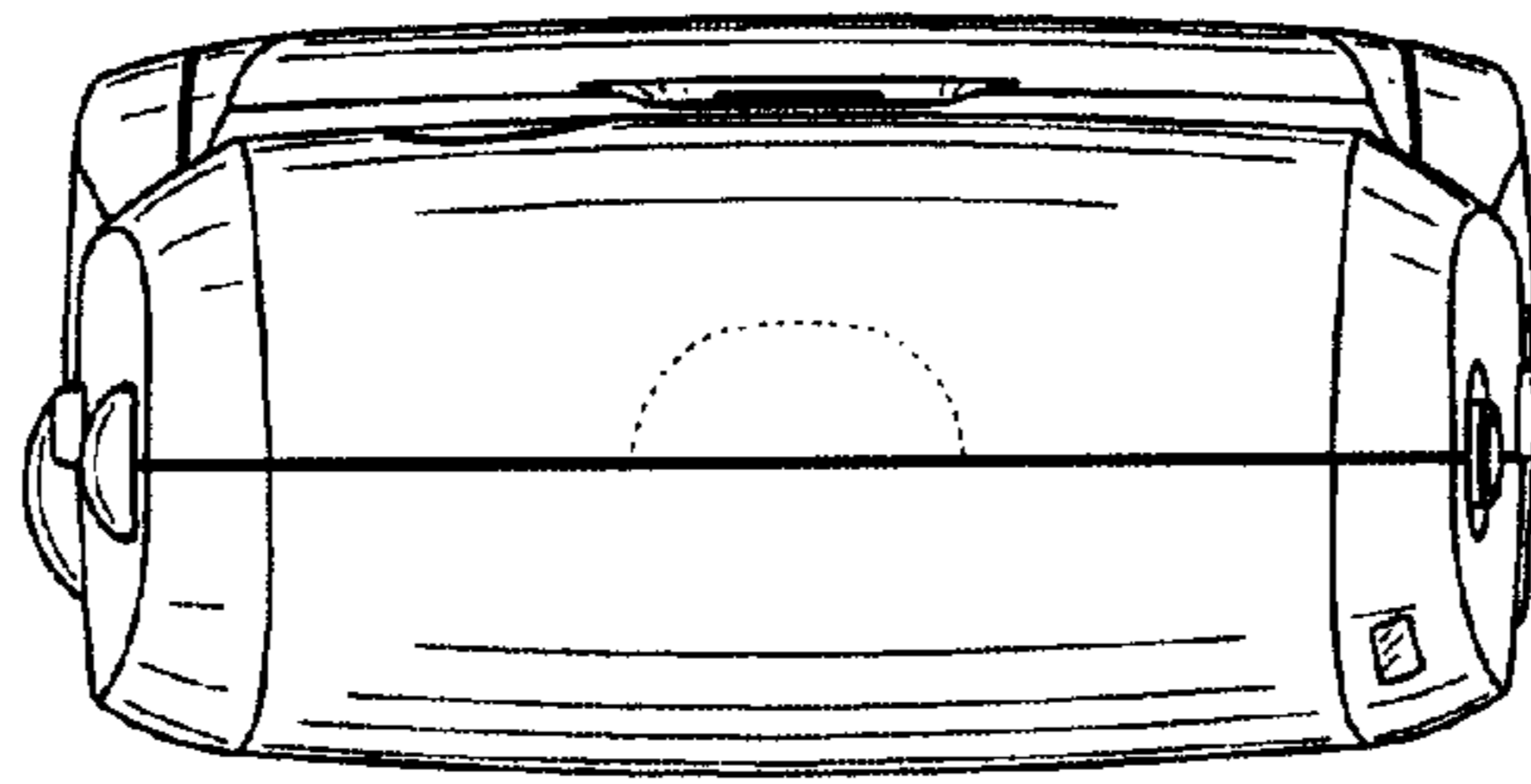


FIG. 9

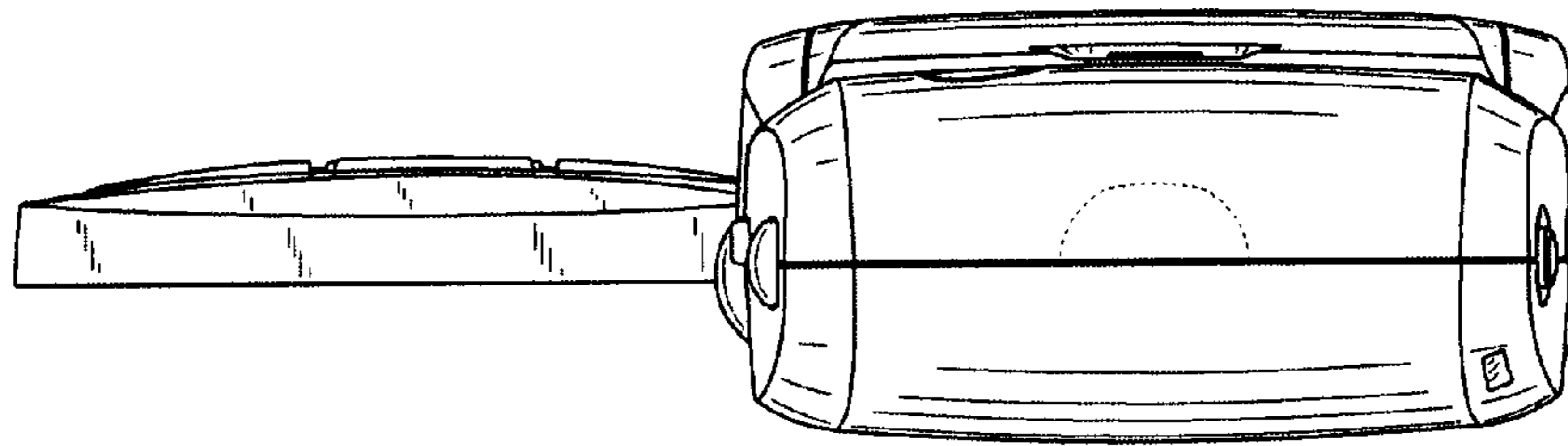


FIG. 10

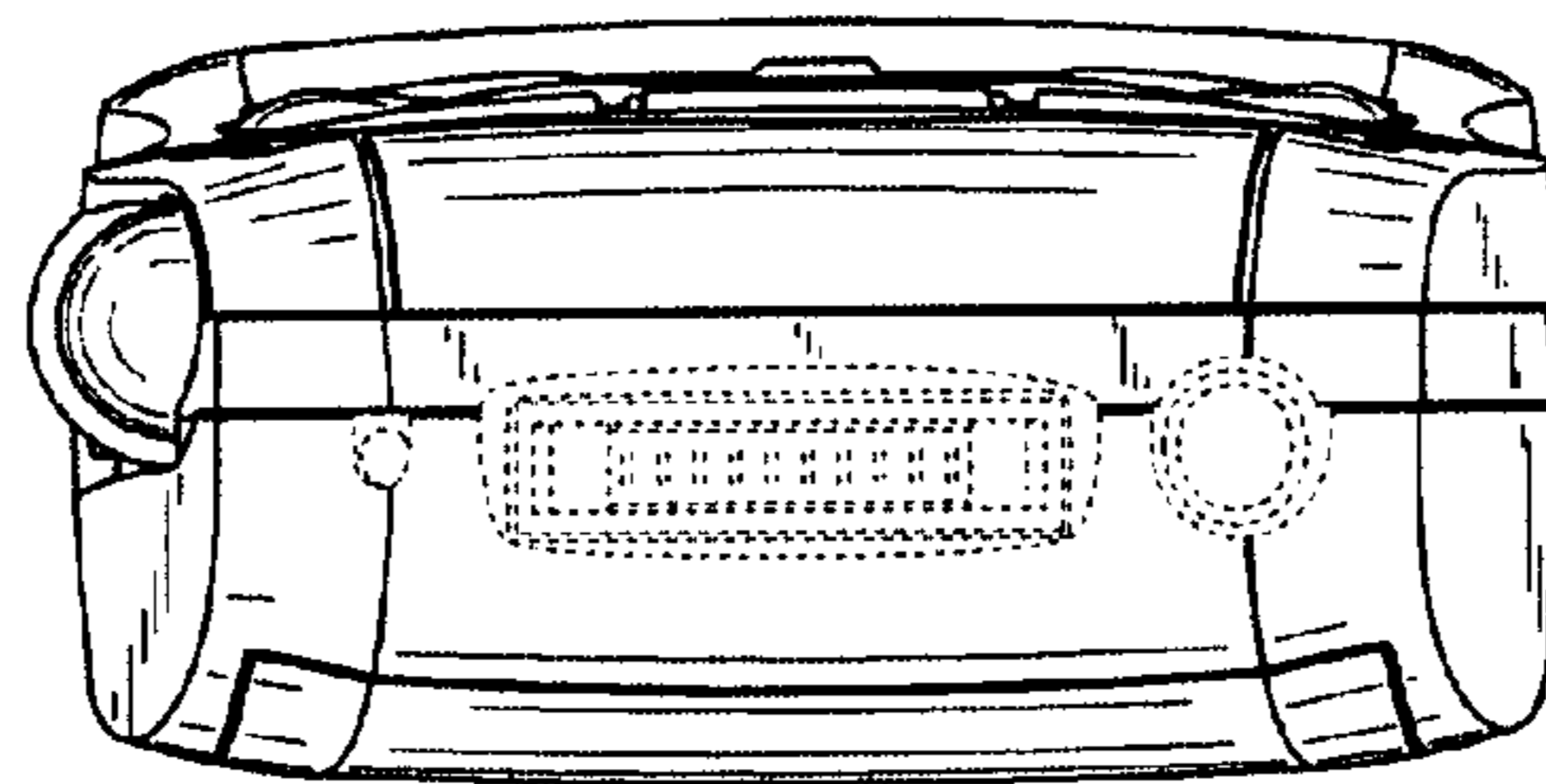


FIG. 11

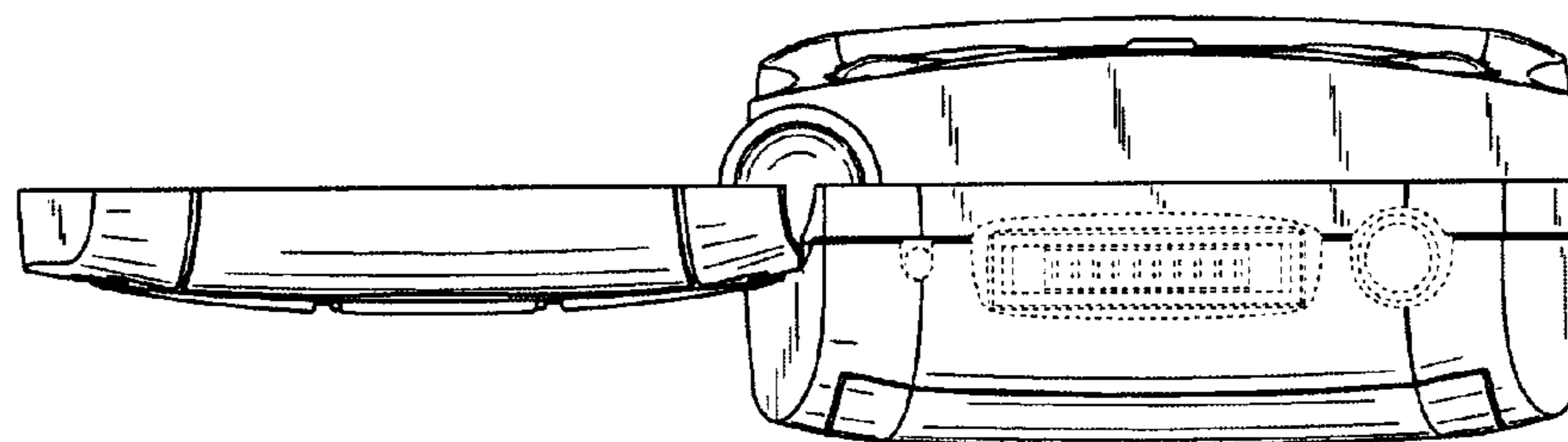


FIG. 12