

US00D509489S

(12) **United States Design Patent** (10) **Patent No.:** **US D509,489 S**  
**Kamada** (45) **Date of Patent:** **\*\* Sep. 13, 2005**

(54) **LIGHT EMITTING DIODE**  
(75) **Inventor:** **Kazuhiro Kamada, Anan (JP)**  
(73) **Assignee:** **Nichia Corporation, Tokushima (JP)**  
(\*\*) **Term:** **14 Years**  
(21) **Appl. No.:** **29/221,929**  
(22) **Filed:** **Jan. 24, 2005**

D437,798 S \* 2/2001 Kiba et al. .... D10/104  
D439,351 S \* 3/2001 Kiba et al. .... D26/37  
6,274,890 B1 \* 8/2001 Oshio et al. .... 257/98  
6,476,549 B2 \* 11/2002 Yu ..... 313/499  
D476,961 S \* 7/2003 Horiuchi et al. .... D13/182  
D477,580 S \* 7/2003 Kamada ..... D13/182  
6,610,563 B1 \* 8/2003 Waitl et al. .... 438/166  
D488,137 S \* 4/2004 Kamada ..... D13/182  
D490,387 S \* 5/2004 Yagi ..... D13/182  
D491,899 S \* 6/2004 Yagi ..... D13/180

\* cited by examiner

**Related U.S. Application Data**

(62) Division of application No. 29/192,569, filed on Oct. 27, 2003, now Pat. No. Des. 503,690.

(30) **Foreign Application Priority Data**

Apr. 25, 2003 (JP) ..... 2003-011756  
Apr. 25, 2003 (JP) ..... 2003-011757  
Apr. 25, 2003 (JP) ..... 2003-011758  
Apr. 25, 2003 (JP) ..... 2003-011759  
Apr. 25, 2003 (JP) ..... 2003-011760  
Apr. 25, 2003 (JP) ..... 2003-011761

(51) **LOC (8) Cl.** ..... **13-03**  
(52) **U.S. Cl.** ..... **D13/180**  
(58) **Field of Search** ..... D13/180, 182;  
257/76, 79, 88, 89, 93-99, 434, 676, 678,  
687, 690, 698, 787; 313/498, 799, 500;  
361/760, 820; 362/226, 241, 249, 250,  
307, 555, 800

(56) **References Cited**

**U.S. PATENT DOCUMENTS**

6,061,160 A \* 5/2000 Maruyama ..... 398/201

*Primary Examiner*—Stella Reid  
*Assistant Examiner*—Selina Sikder  
(74) *Attorney, Agent, or Firm*—Osha Liang LLP

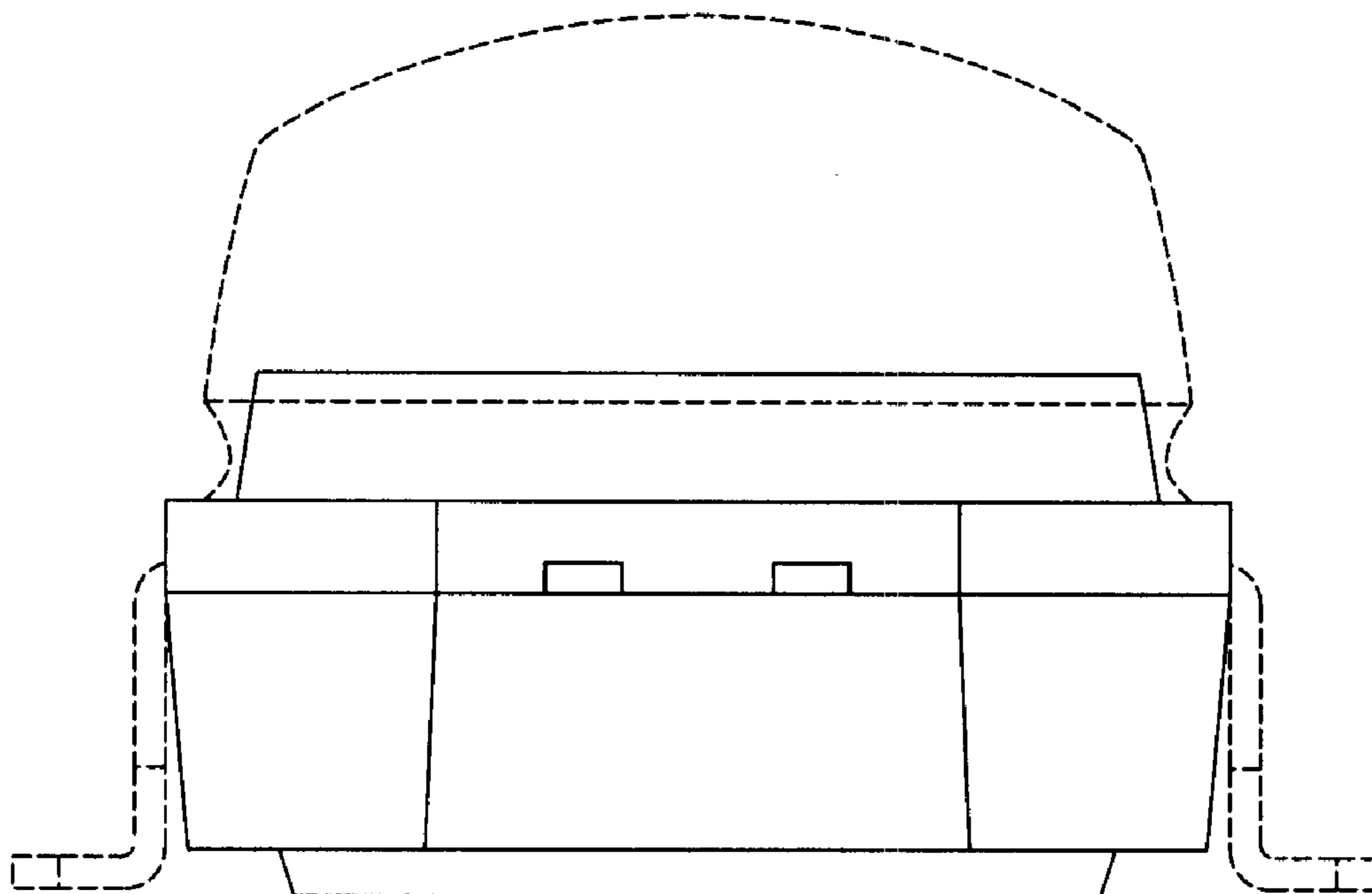
(57) **CLAIM**

The ornamental design for a light emitting diode, as shown and described.

**DESCRIPTION**

FIG. 1 shows a front view of the design according to my new design.  
FIG. 2 shows a top view of the design thereof.  
FIG. 3 shows a bottom view of the design thereof.  
FIG. 4 shows a right side view of the design thereof; and, FIG. 5 shows a perspective view of the design thereof.  
The back view is a mirror image of the front view.  
The left side view is a mirror image of the right side view.  
The elements shown in broken lines are for illustrative purposes only and form no part of the claimed design.

**1 Claim, 3 Drawing Sheets**



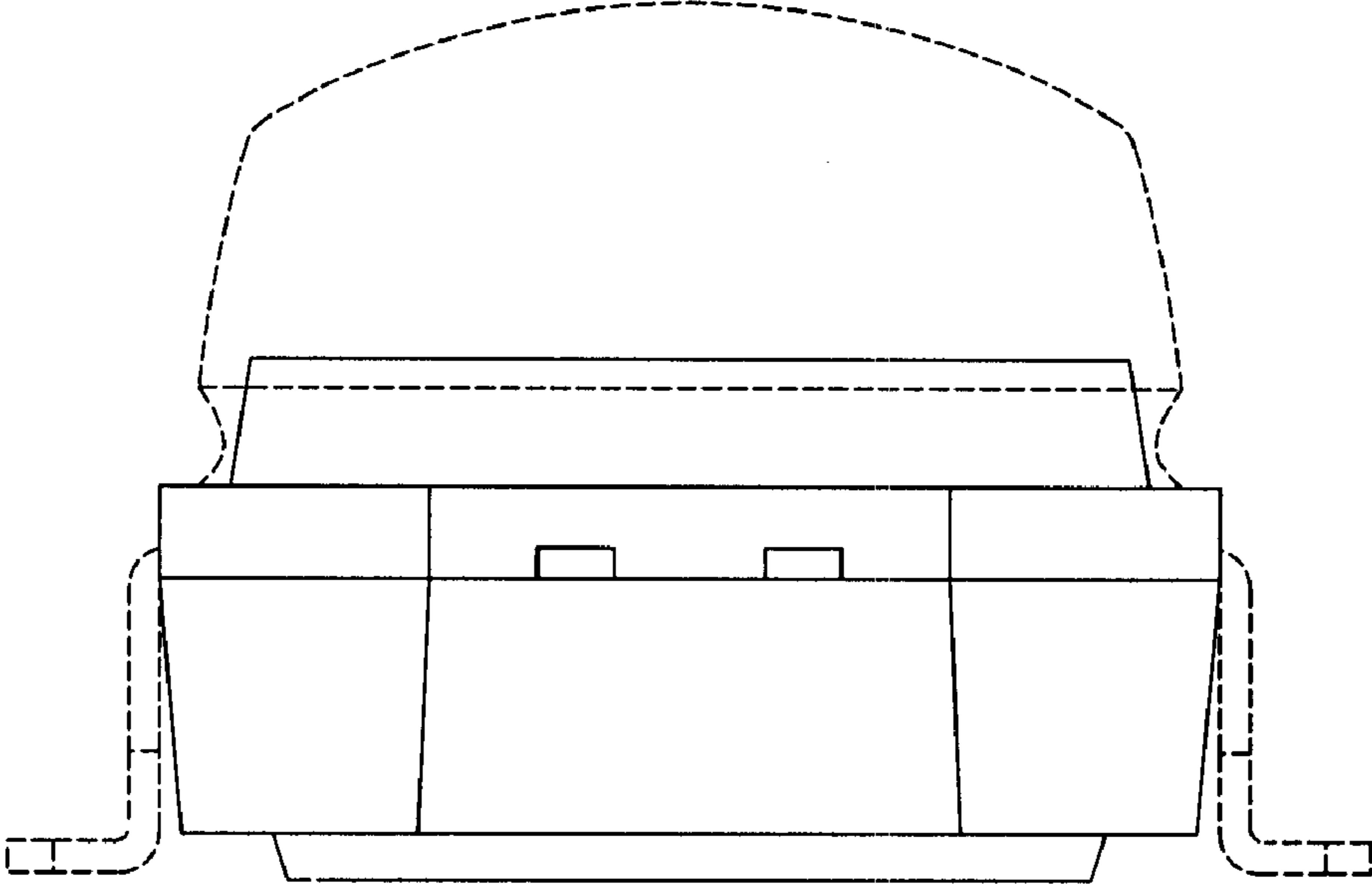


FIG 1

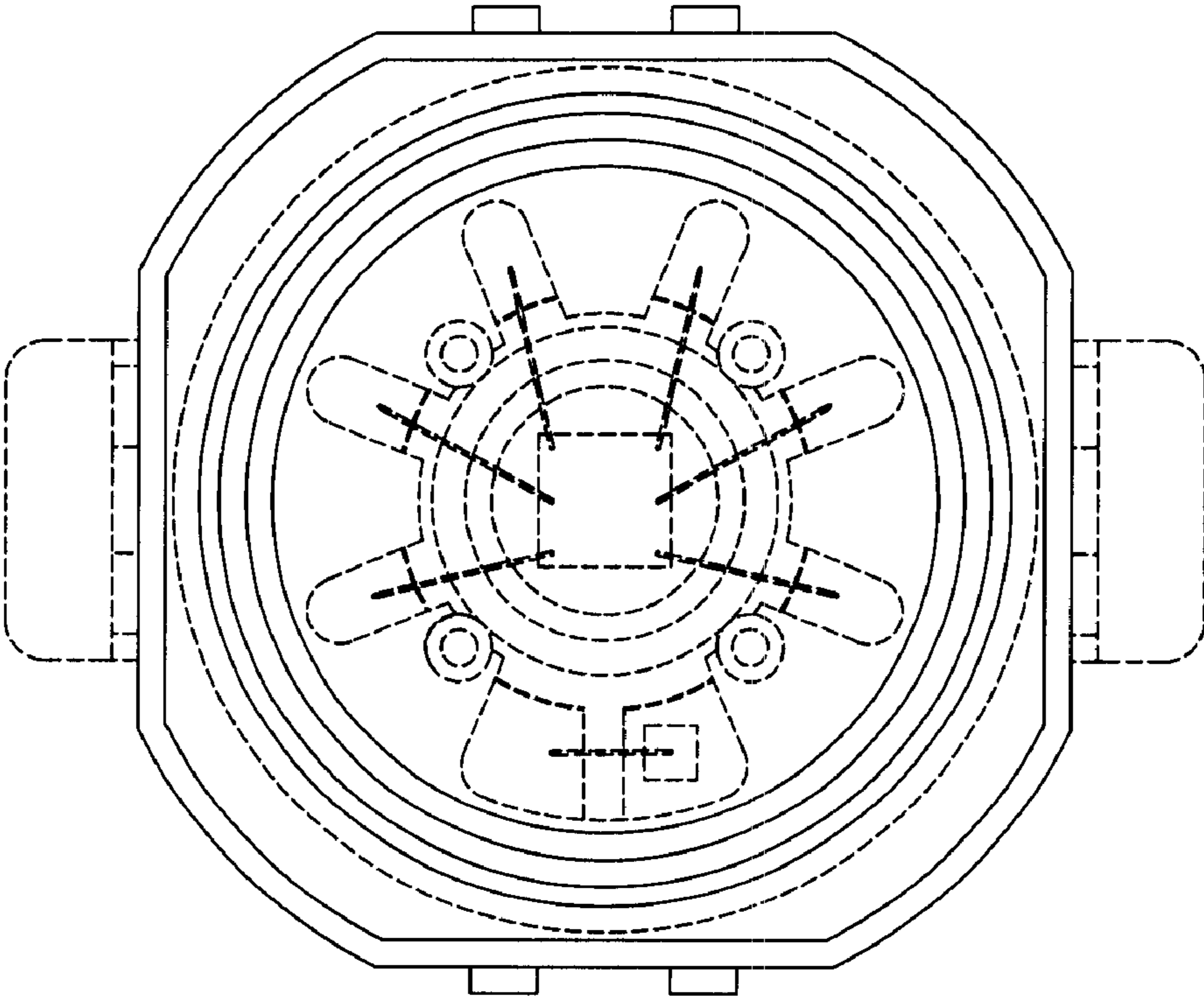


FIG 2

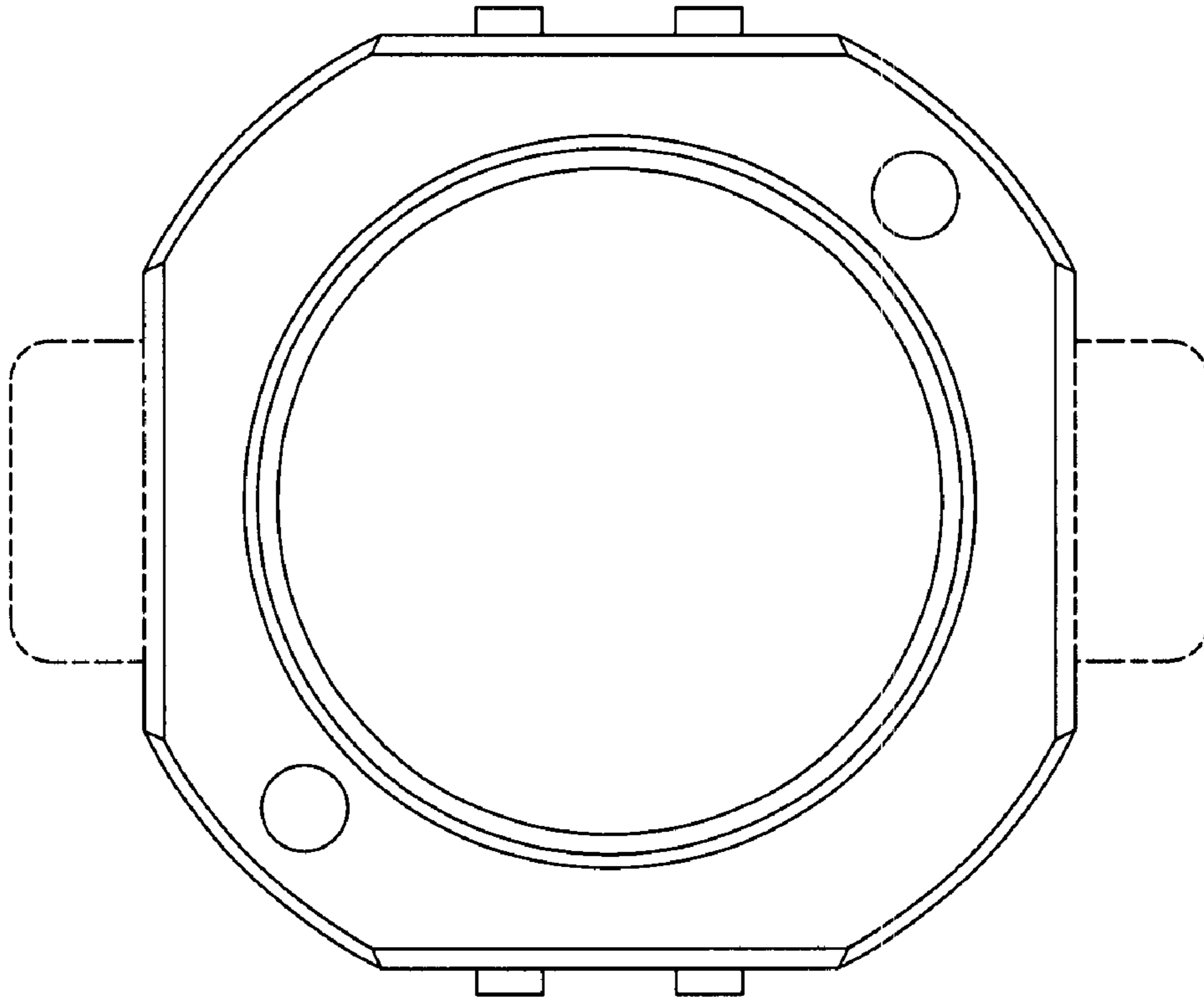


FIG 3

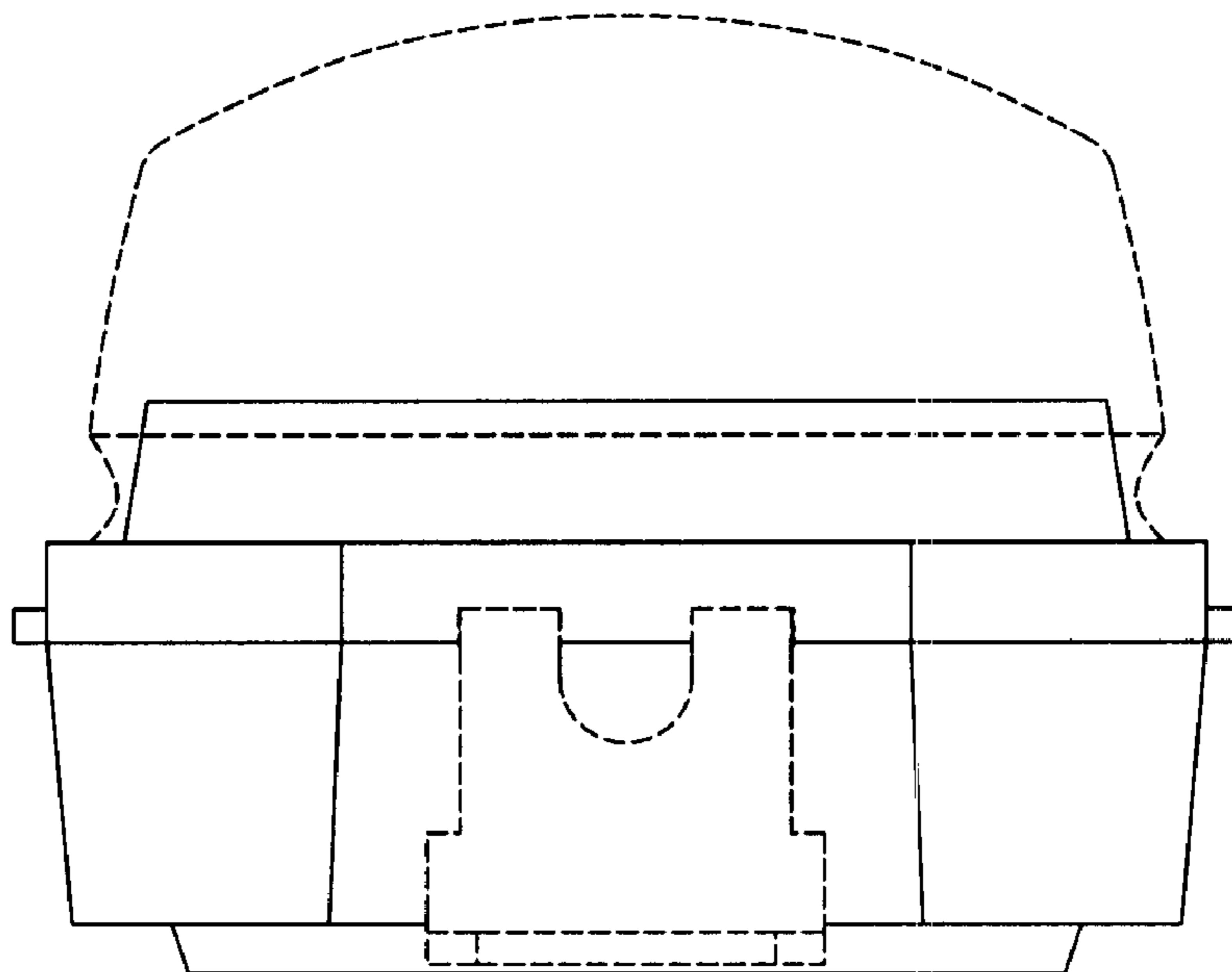


FIG 4

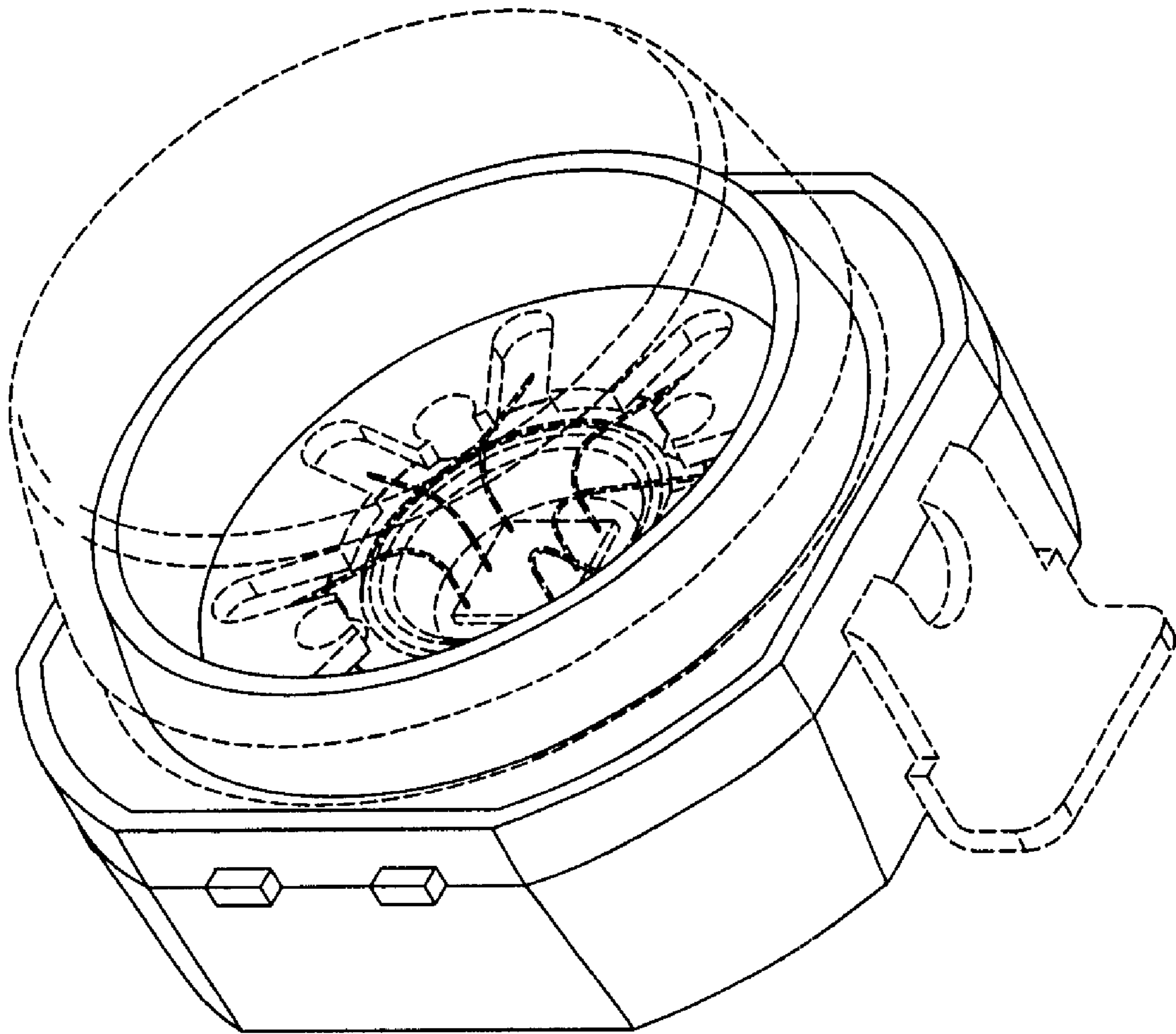


FIG 5