



US00D509488S

(12) **United States Design Patent**
Ishida

(10) **Patent No.:** **US D509,488 S**

(45) **Date of Patent:** **** Sep. 13, 2005**

(54) **LIGHT EMITTING DIODE**

(75) **Inventor:** **Masashi Ishida, Anan (JP)**

(73) **Assignee:** **Nichia Corporation (JP)**

(**) **Term:** **14 Years**

(21) **Appl. No.:** **29/218,976**

(22) **Filed:** **Dec. 9, 2004**

Related U.S. Application Data

(62) Division of application No. 29/198,267, filed on Jan. 28, 2004.

(30) **Foreign Application Priority Data**

Jul. 28, 2003	(JP)	2003-021725
Jul. 28, 2003	(JP)	2003-021730
Jul. 28, 2003	(JP)	2003-021731
Jul. 28, 2003	(JP)	2003-021732
Jul. 28, 2003	(JP)	2003-021733
Jul. 28, 2003	(JP)	2003-021734
Jul. 28, 2003	(JP)	2003-021735
Jul. 28, 2003	(JP)	2003-021736
Jul. 28, 2003	(JP)	2003-021737
Jul. 28, 2003	(JP)	2003-021738
Jul. 28, 2003	(JP)	2003-021739
Jul. 28, 2003	(JP)	2003-021740
Jul. 28, 2003	(JP)	2003-021741
Jul. 28, 2003	(JP)	2003-021742
Jul. 28, 2003	(JP)	2003-021743

(51) **LOC (8) Cl.** **13-03**

(52) **U.S. Cl.** **D13/180**

(58) **Field of Search** **D13/180, 182;**
257/76-79, 88-89, 93-99, 434, 676, 678,
687, 690, 698, 787; 313/498, 499, 500;
361/760, 820; 362/226, 241, 249, 250,
307, 555, 800

(56) **References Cited**

U.S. PATENT DOCUMENTS

RE36,614 E	*	3/2000	Lumbard et al.	313/500
6,603,148 B1	*	8/2003	Sano et al.	257/98
D482,337 S	*	11/2003	Kamada	D13/182

D489,677 S	*	5/2004	Ishida	D13/100
D489,690 S	*	5/2004	Ishida	D13/180
D489,691 S	*	5/2004	Ishida	D13/180
D489,692 S	*	5/2004	Ishida	D13/180
D489,693 S	*	5/2004	Ishida	D13/180
D490,062 S	*	5/2004	Ishida	D13/180
D490,384 S	*	5/2004	Ishida	D13/180
D490,385 S	*	5/2004	Ishida	D13/180
D490,386 S	*	5/2004	Ishida	D13/180
D490,783 S	*	6/2004	Ishida	D13/180
D490,784 S	*	6/2004	Ishida	D13/180
D491,538 S	*	6/2004	Ishida	D13/182
2002/0149314 A1	*	10/2002	Takahashi et al.	313/500

* cited by examiner

Primary Examiner—Stella Reid

Assistant Examiner—Selina Sikder

(74) *Attorney, Agent, or Firm*—Osha Liang LLP

(57) **CLAIM**

The ornamental design for a light emitting diode, as shown and described.

DESCRIPTION

FIG. 1 shows a front view of the design according to the invention.

FIG. 2 shows a rear view of the design according to the invention.

FIG. 3 shows a top view of the design according to the invention.

FIG. 4 shows a bottom view of the design according to the invention.

FIG. 5 shows a left side view of the design according to the invention. The right side view is a mirror image of the left side view.

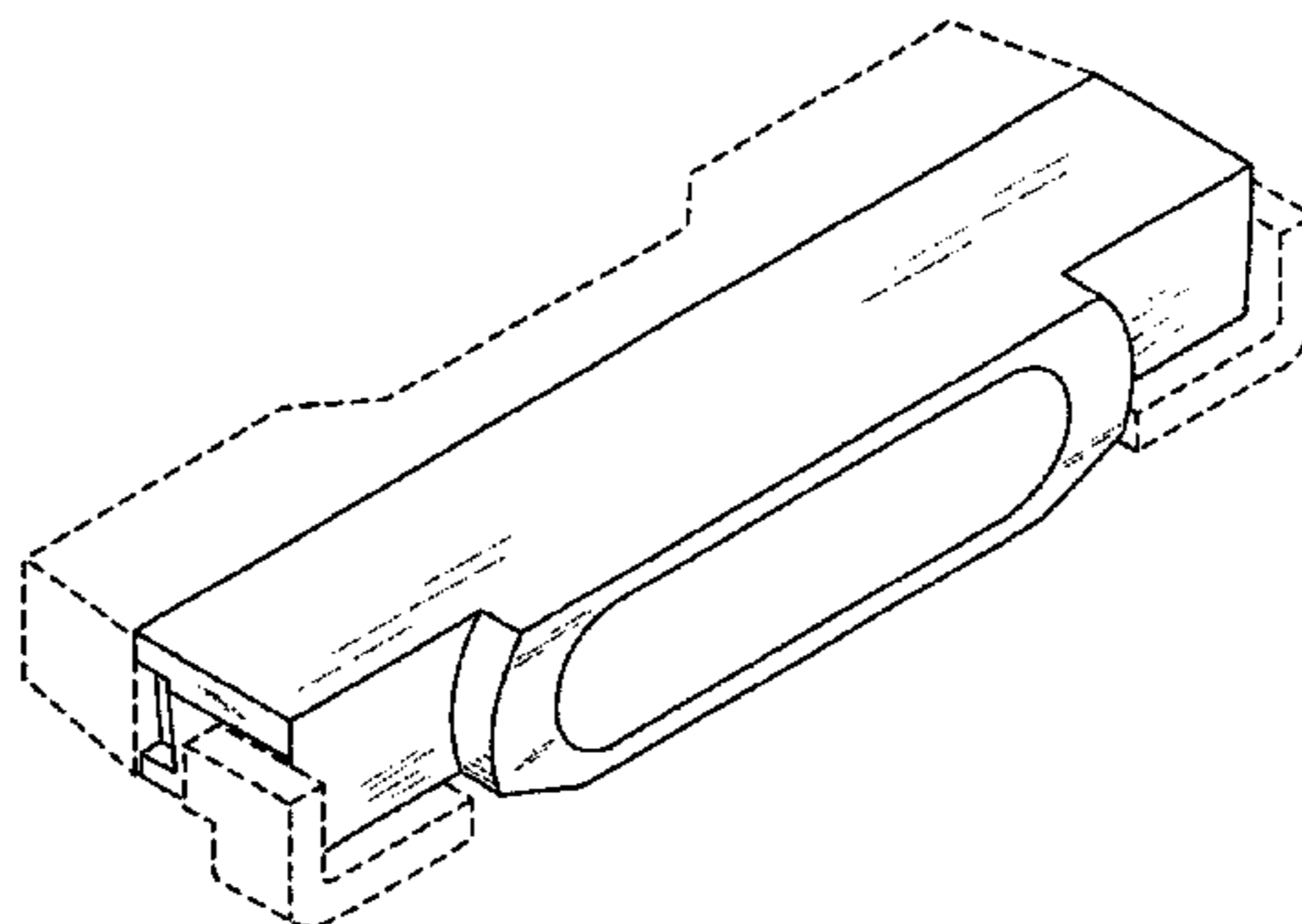
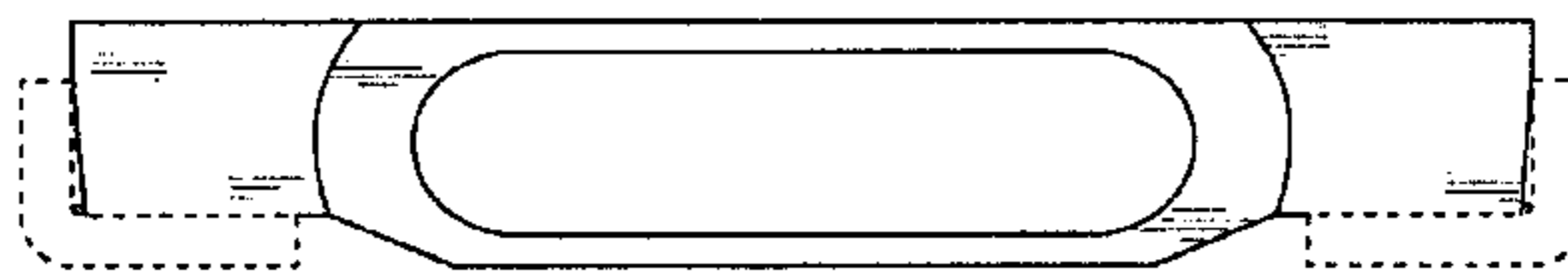
FIG. 6 shows a top perspective view of the design according to the invention.

FIG. 7 shows a bottom perspective view of the design according to the invention; and,

FIG. 8 shows a front view of the design according to the invention, indicating a translucent portion.

The elements shown in broken lines are for illustrative purposes only and form no part of the claimed design.

1 Claim, 2 Drawing Sheets



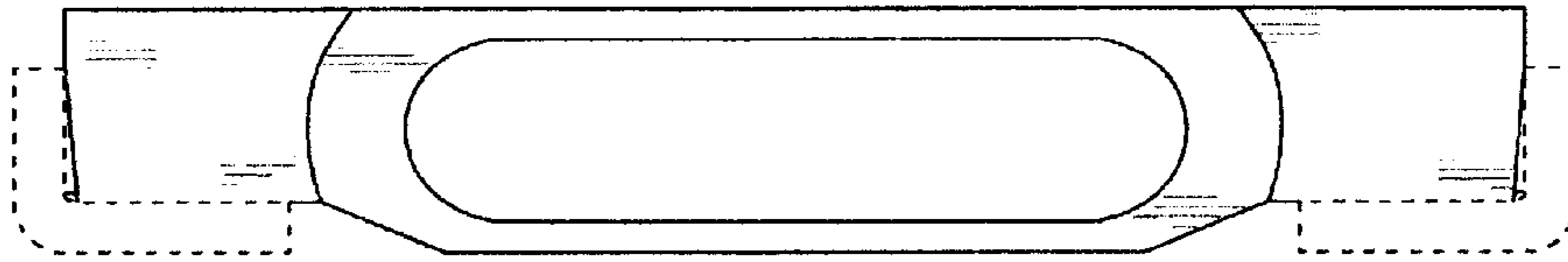


FIG. 1

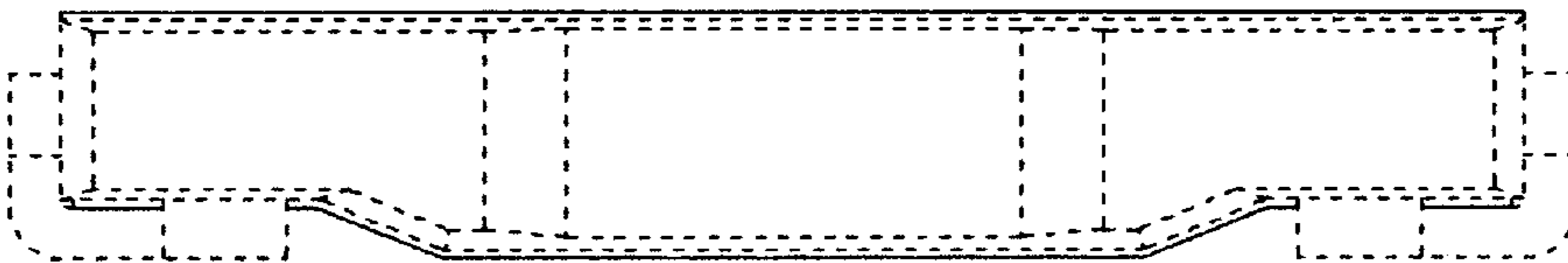


FIG. 2

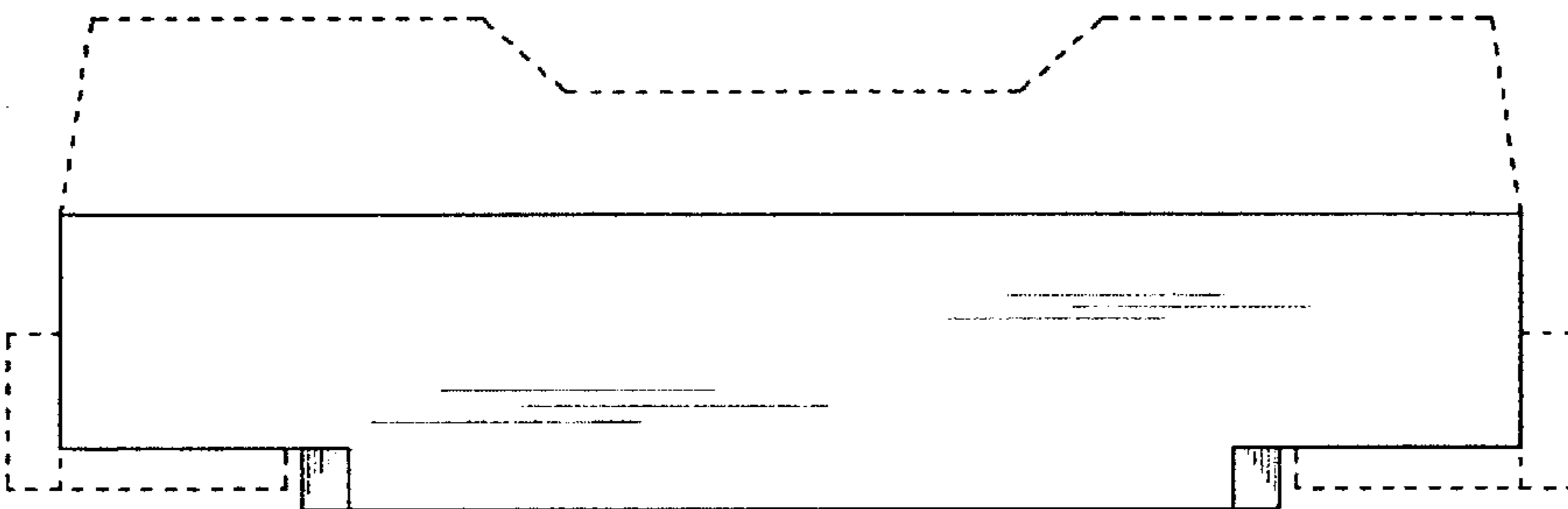


FIG. 3

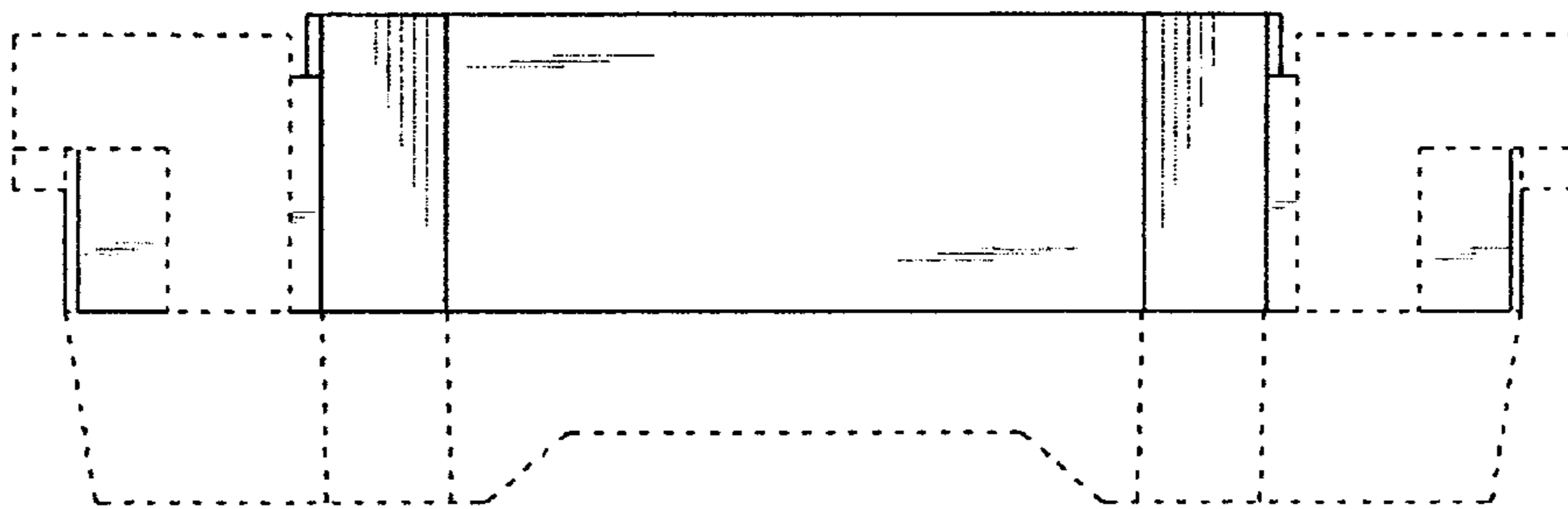


FIG. 4

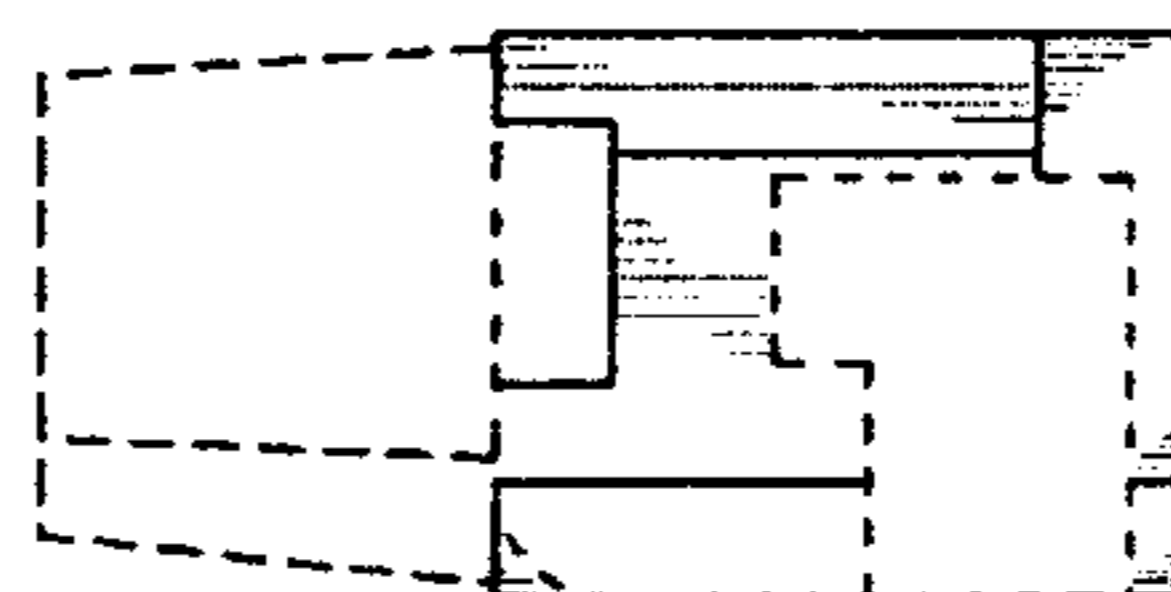


FIG. 5

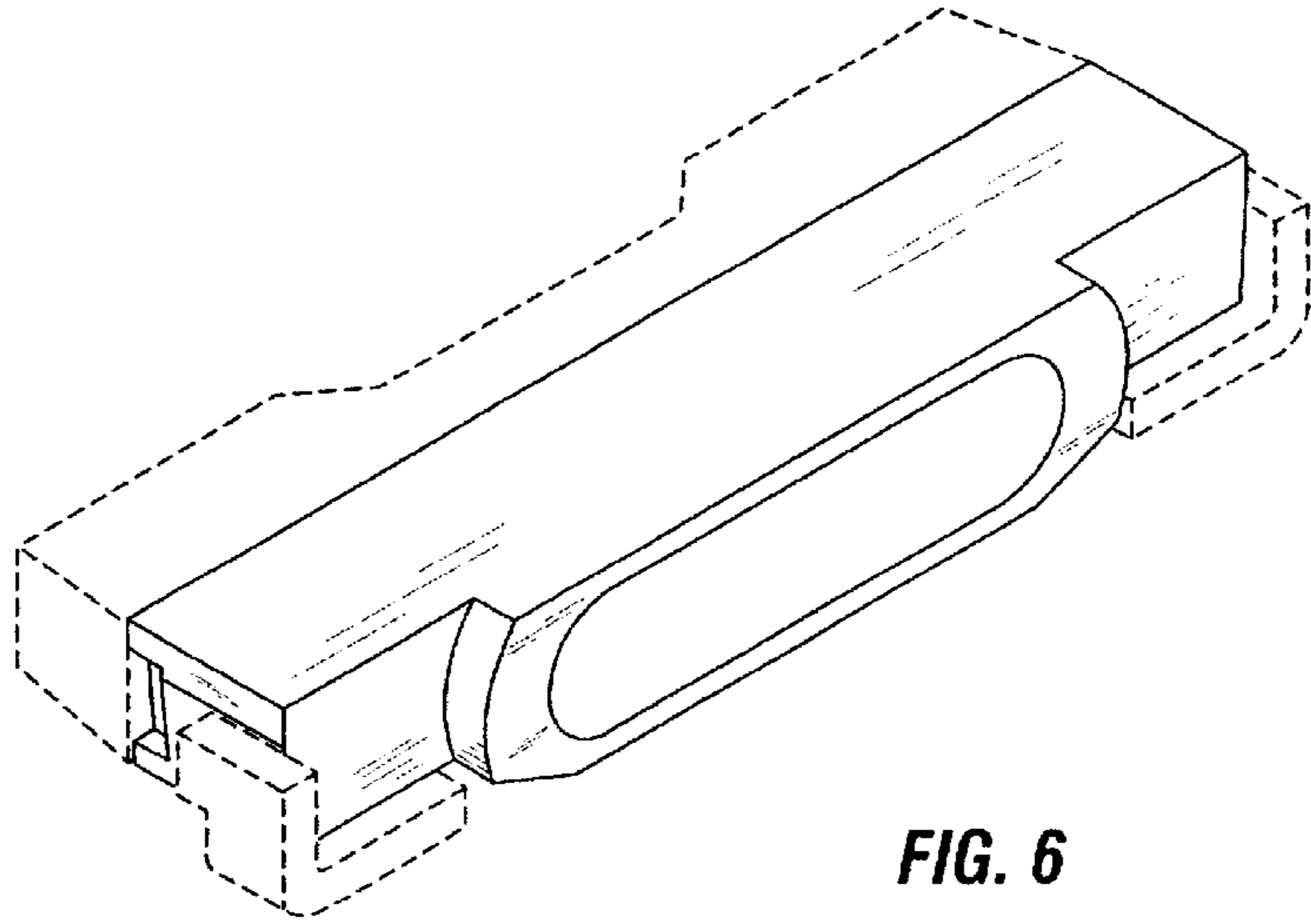


FIG. 6

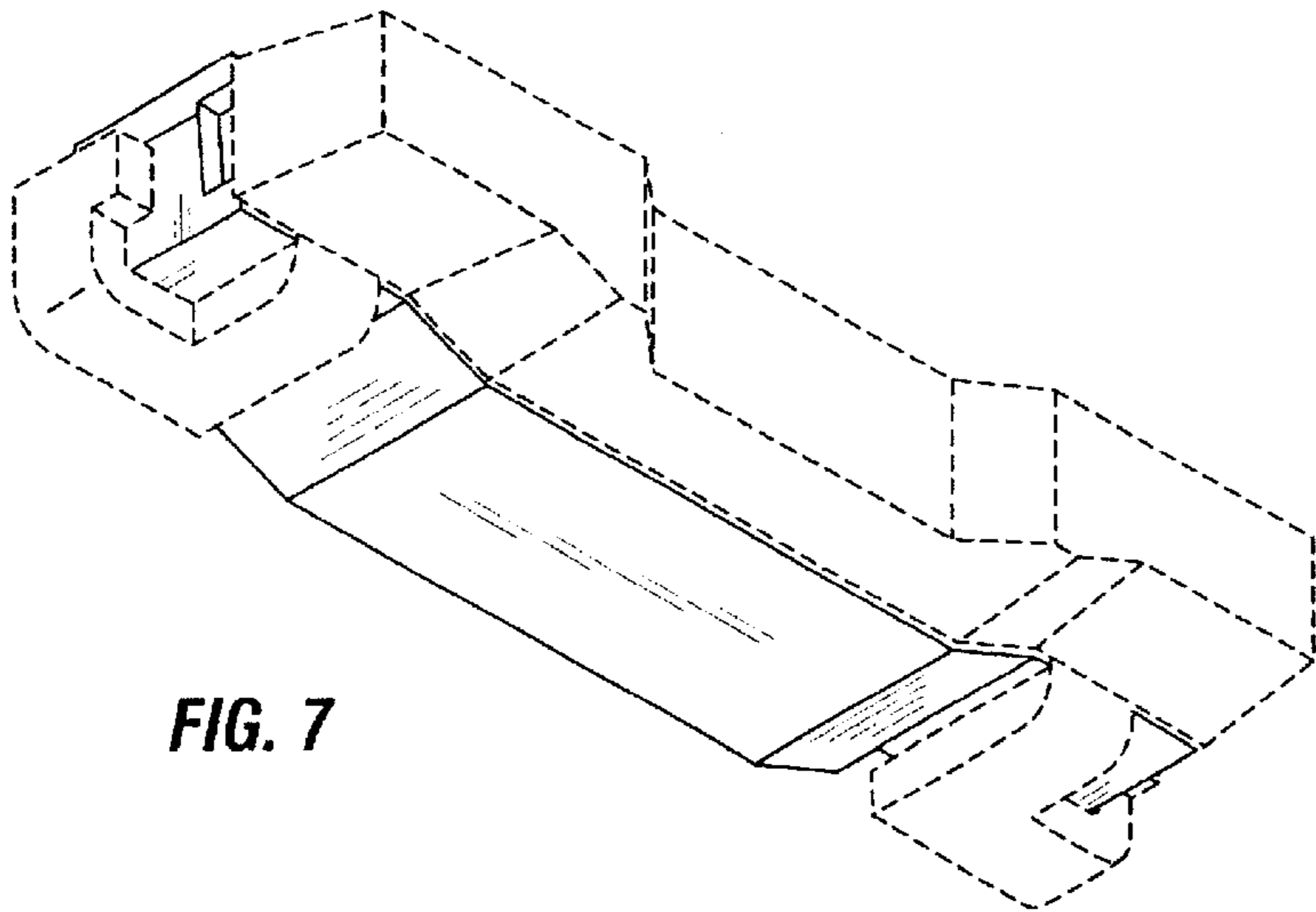


FIG. 7

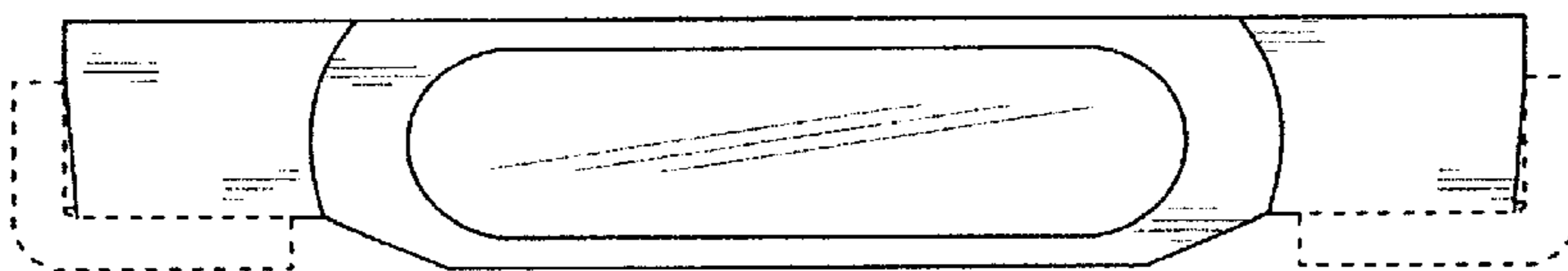


FIG. 8