



US00D509487S

(12) **United States Design Patent**
Ishida

(10) **Patent No.:** **US D509,487 S**

(45) **Date of Patent:** **** Sep. 13, 2005**

- (54) **LIGHT EMITTING DIODE (LED)**
- (75) Inventor: **Masashi Ishida**, Naka-gun (JP)
- (73) Assignee: **Nichia Corporation**, Anan (JP)
- (**) Term: **14 Years**

- (21) Appl. No.: **29/183,001**
- (22) Filed: **Jun. 5, 2003**

- (51) **LOC (8) Cl.** **13-03**
- (52) **U.S. Cl.** **D13/180**
- (58) **Field of Search** D13/180, 182;
D10/104, 114; 257/88, 89, 93-96, 98, 99,
678, 687; 313/498, 499, 555, 800; 361/820;
362/152, 226, 241, 249, 250, 800; 372/45;
439/353, 620

(56) **References Cited**

U.S. PATENT DOCUMENTS

4,580,859 A	*	4/1986	Frano et al.	439/353
5,475,241 A	*	12/1995	Harrah et al.	257/99
D453,745 S	*	2/2002	Suenaga	D13/180
D478,877 S	*	8/2003	Hoshiba	D13/182
D482,337 S	*	11/2003	Kamada	D13/182

FOREIGN PATENT DOCUMENTS

JP	D984224-1 S	10/1997
JP	D1077515 S	7/2000
JP	D1170087 S	4/2003
JP	D1170881 S	4/2003
JP	D1171195 S	4/2003
JP	D1171196 S	4/2003
JP	D1171708 S	4/2003
JP	D1171709 S	4/2003
JP	D1171710 S	4/2003
KR	30-0294490 S	3/2002
KR	30-0294490-1 S	3/2002

* cited by examiner

Primary Examiner—Philip S. Hyder
Assistant Examiner—Selina Sikder
 (74) *Attorney, Agent, or Firm*—Smith Patent Office

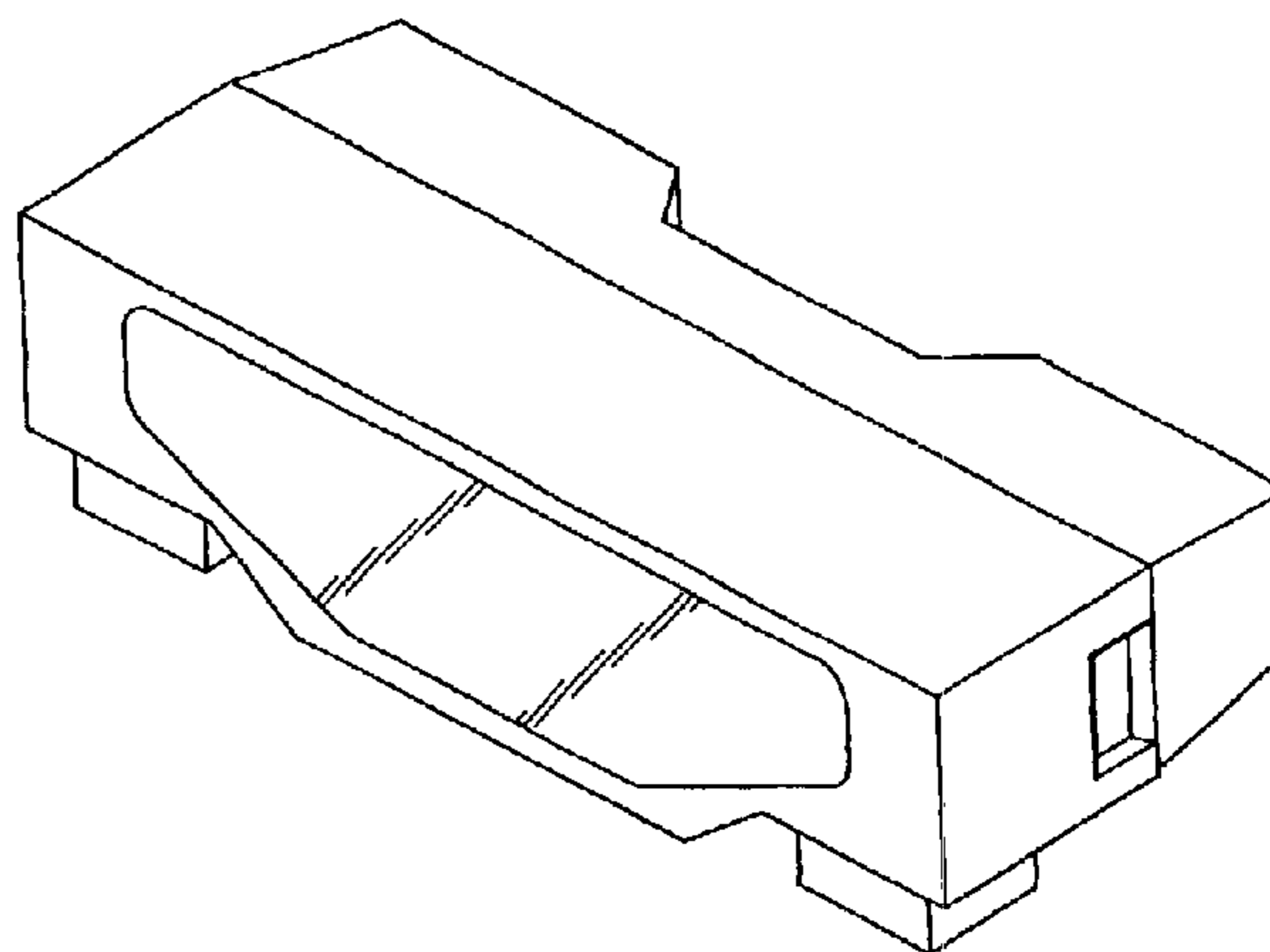
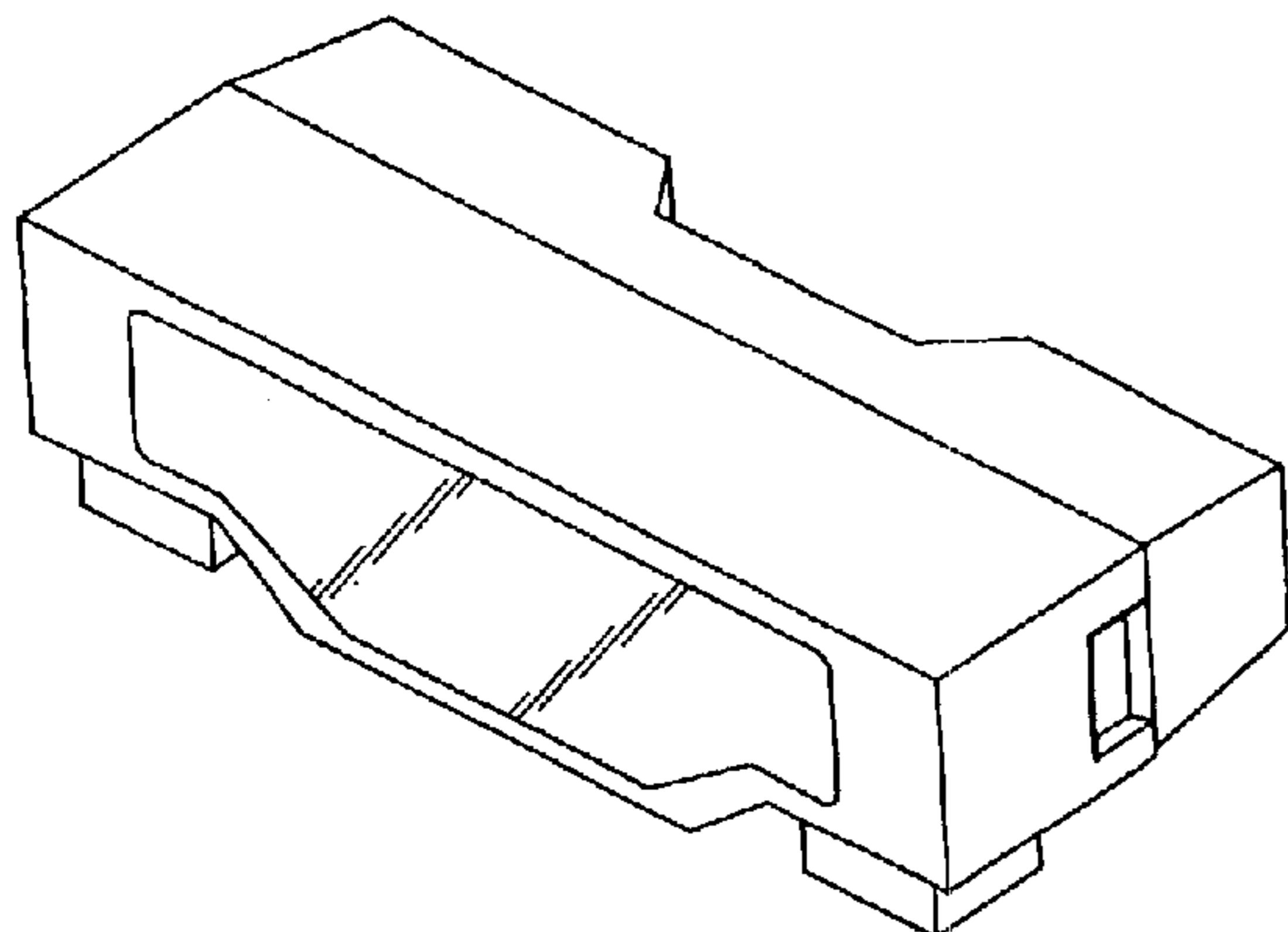
(57) **CLAIM**

I claim the ornamental design for a light emitting diode, as shown and described.

DESCRIPTION

FIG. 1 is a perspective view of a light emitting diode showing my new design;
 FIG. 2 is a plan view of the light emitting diode according to FIG. 1;
 FIG. 3 is a left view of the light emitting diode according to the embodiment of FIG. 1;
 FIG. 4 is a front elevational view of the light emitting diode according to the embodiment of FIG. 1;
 FIG. 5 is a right view of the light emitting diode according to the embodiment of FIG. 1;
 FIG. 6 is a bottom plan of the light emitting diode according to the embodiment of FIG. 1;
 FIG. 7 is a rear elevational view of the light emitting diode according to FIG. 1;
 FIG. 8 is a perspective view of a light emitting diode according to another embodiment of my new design;
 FIG. 9 is a plan view of the light emitting diode according to the embodiment of FIG. 8;
 FIG. 10 is a left view of the light emitting diode according to the embodiment of FIG. 8;
 FIG. 11 is a front elevational view of the light emitting diode according to the embodiment of FIG. 8;
 FIG. 12 is a right view of the light emitting diode according to the embodiment of FIG. 8;
 FIG. 13 is a bottom plan view of the light emitting diode according to the embodiment of FIG. 8; and,
 FIG. 14 is a rear elevational view of the light emitting diode according to the embodiment of FIG. 8.

1 Claim, 4 Drawing Sheets



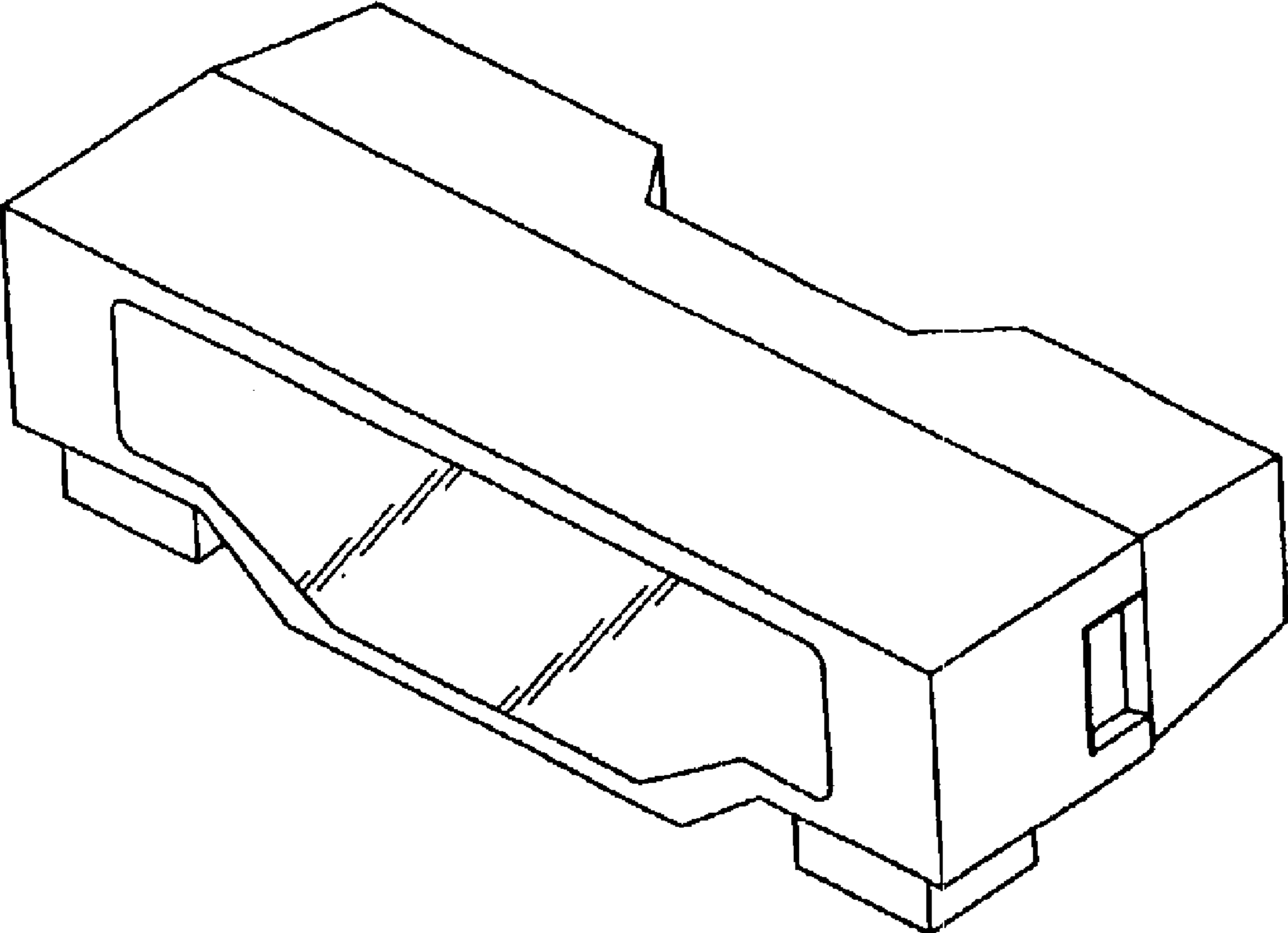


FIG. 1

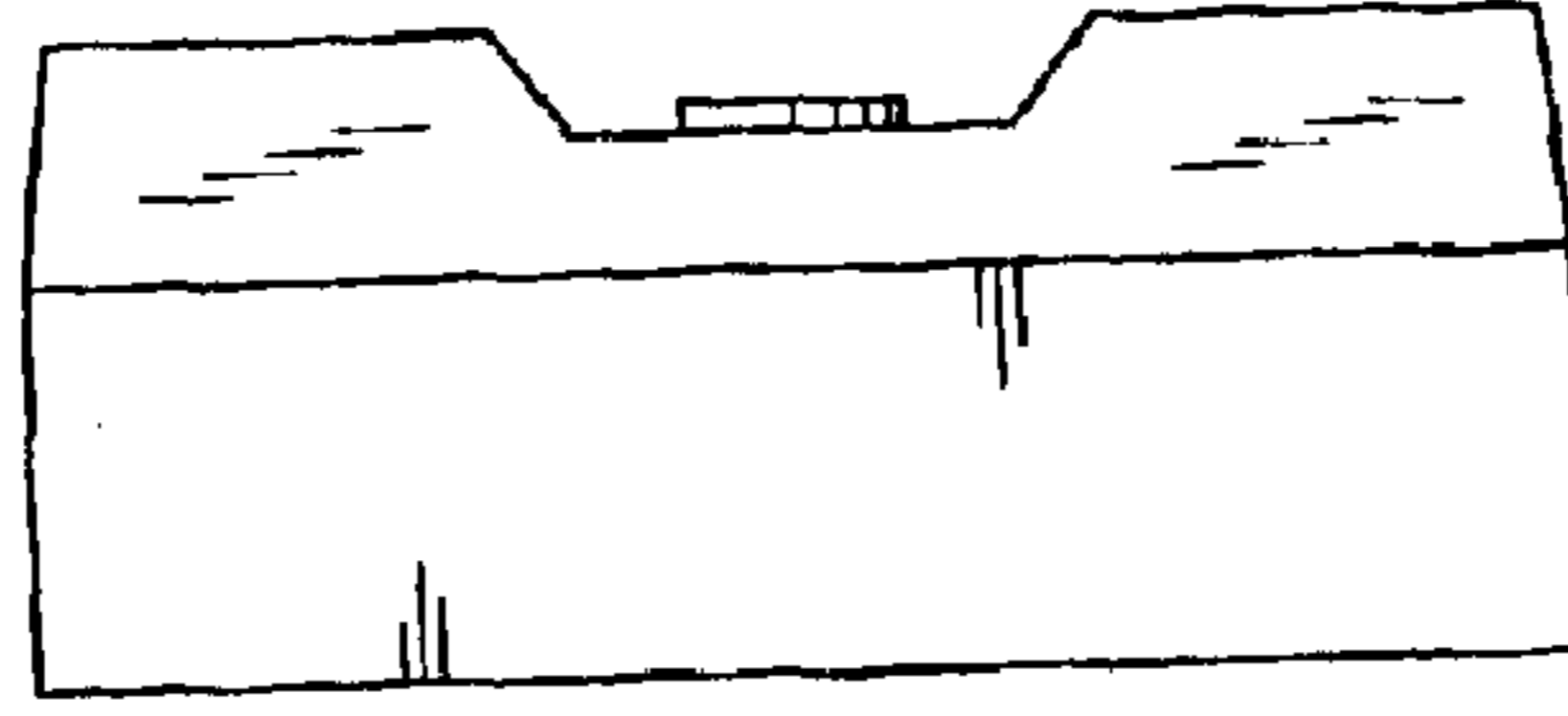


FIG. 2

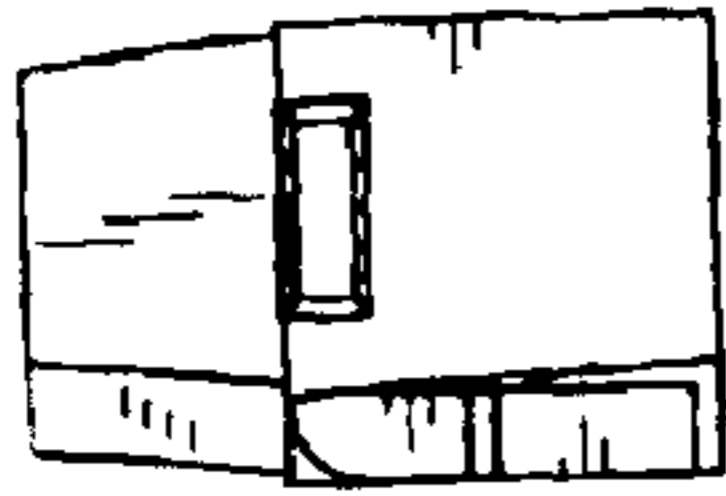


FIG. 3

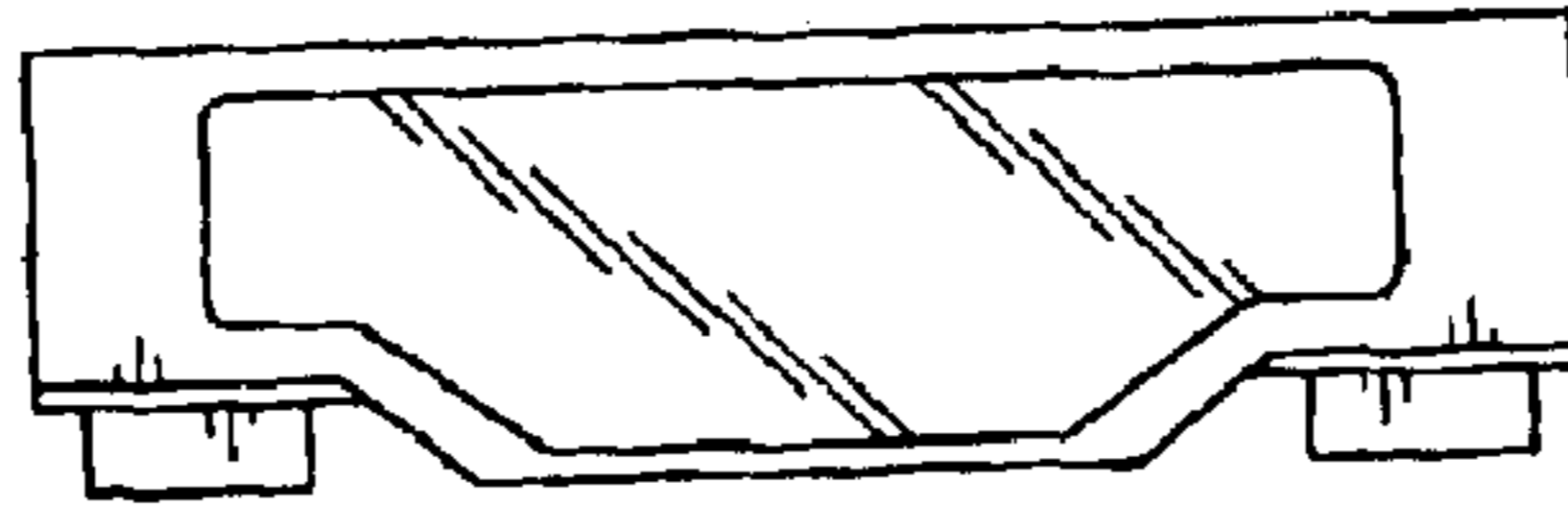


FIG. 4

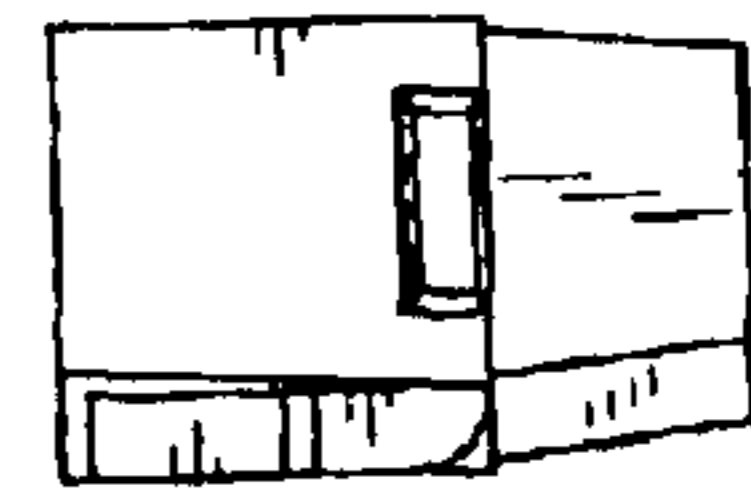


FIG. 5

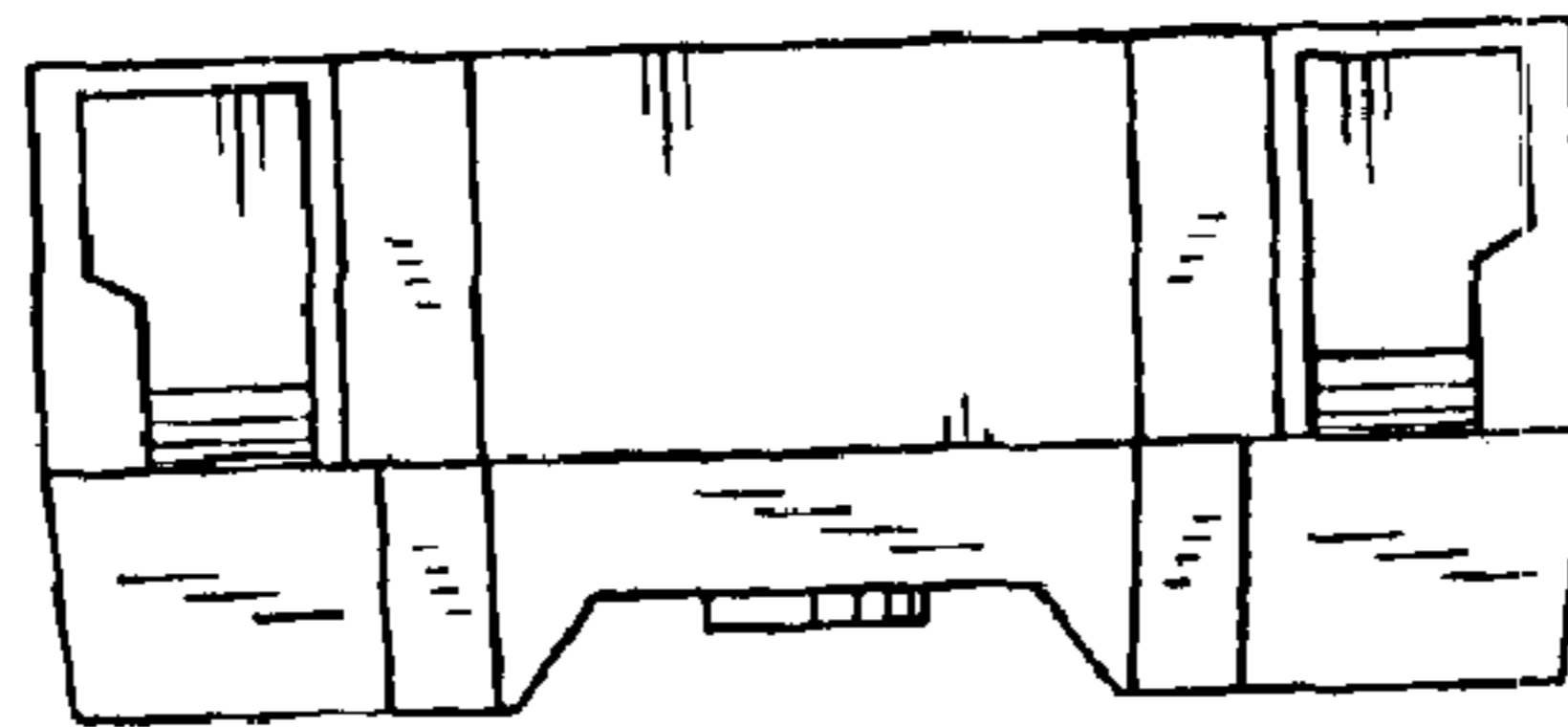


FIG. 6

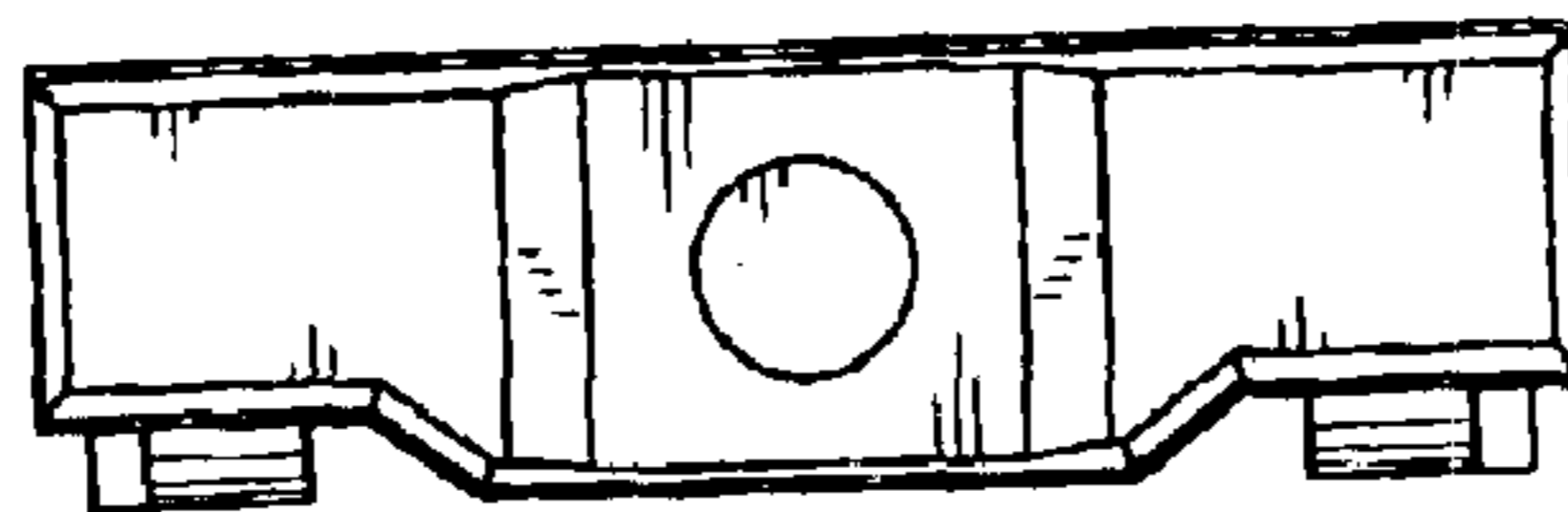


FIG. 7

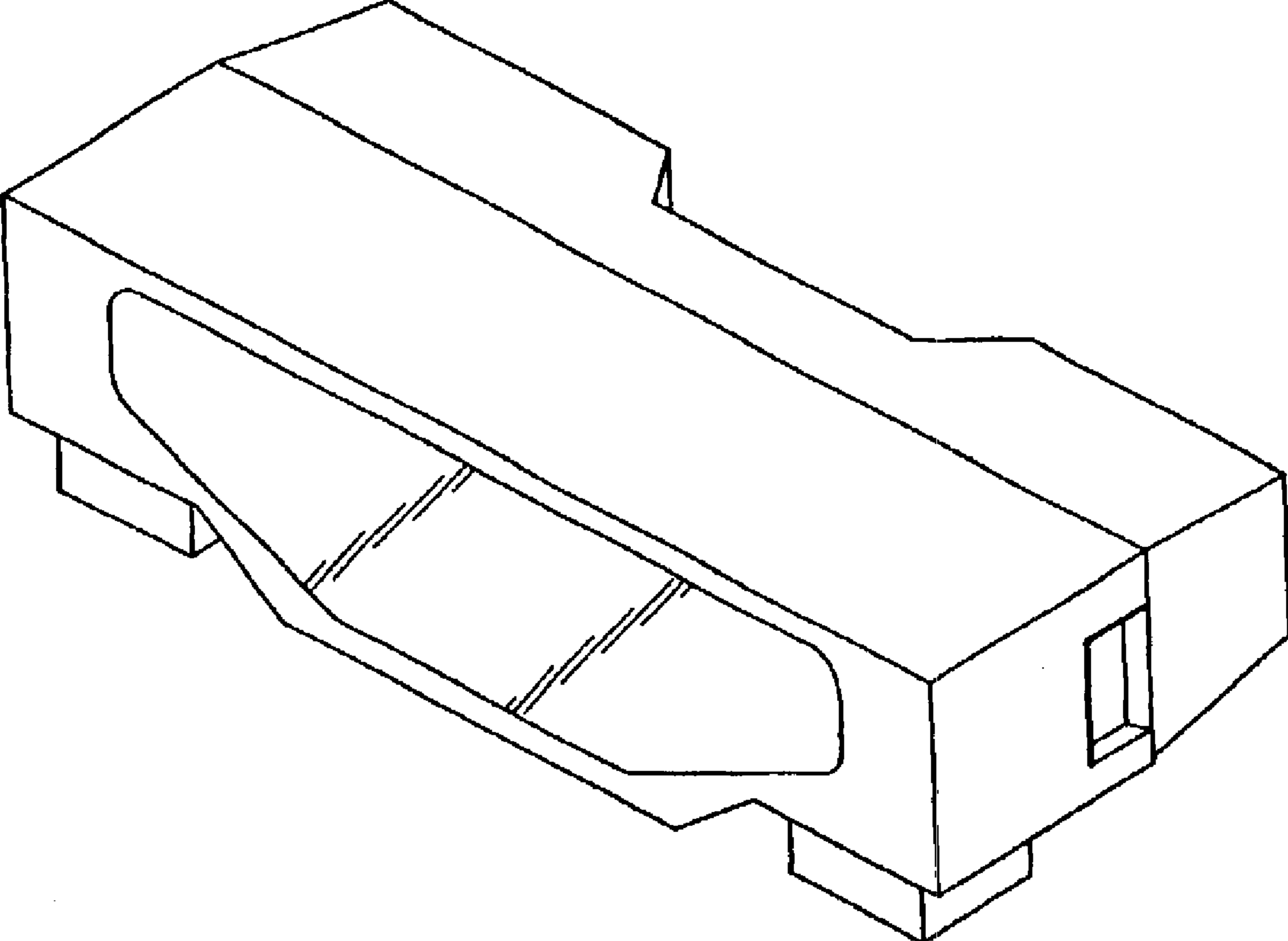


FIG. 8

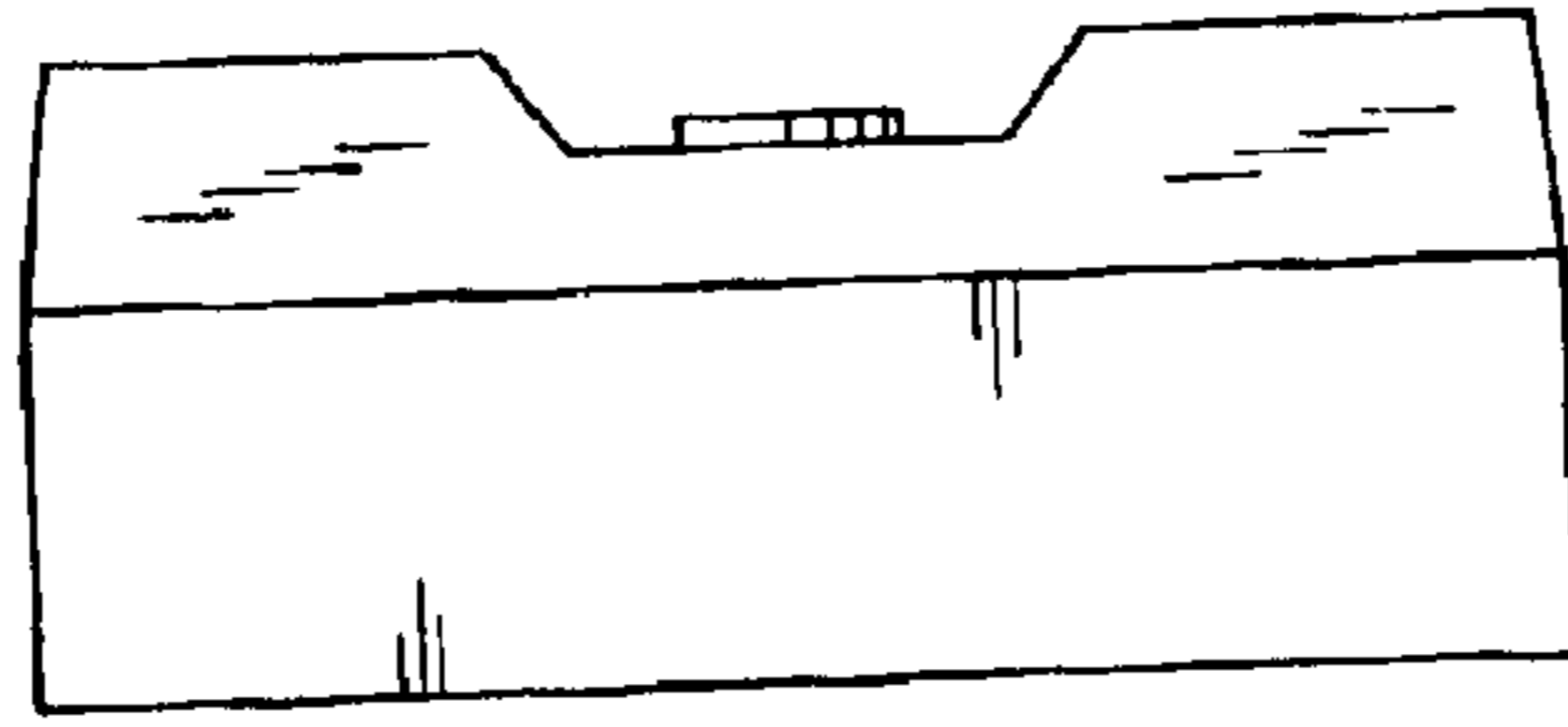


FIG. 9

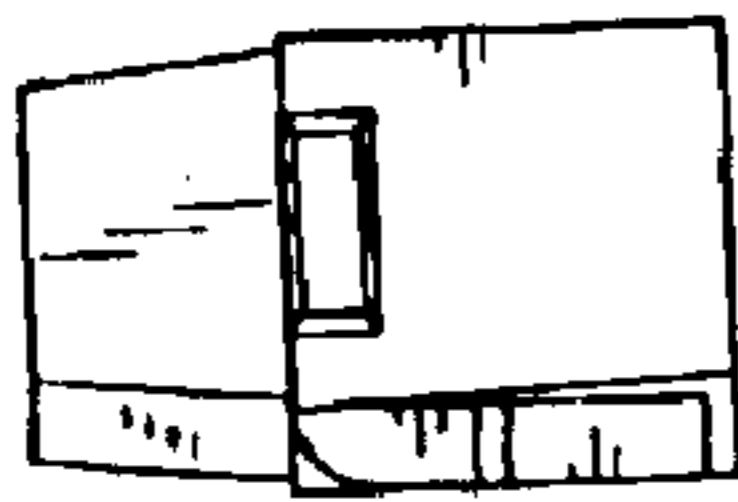


FIG. 10

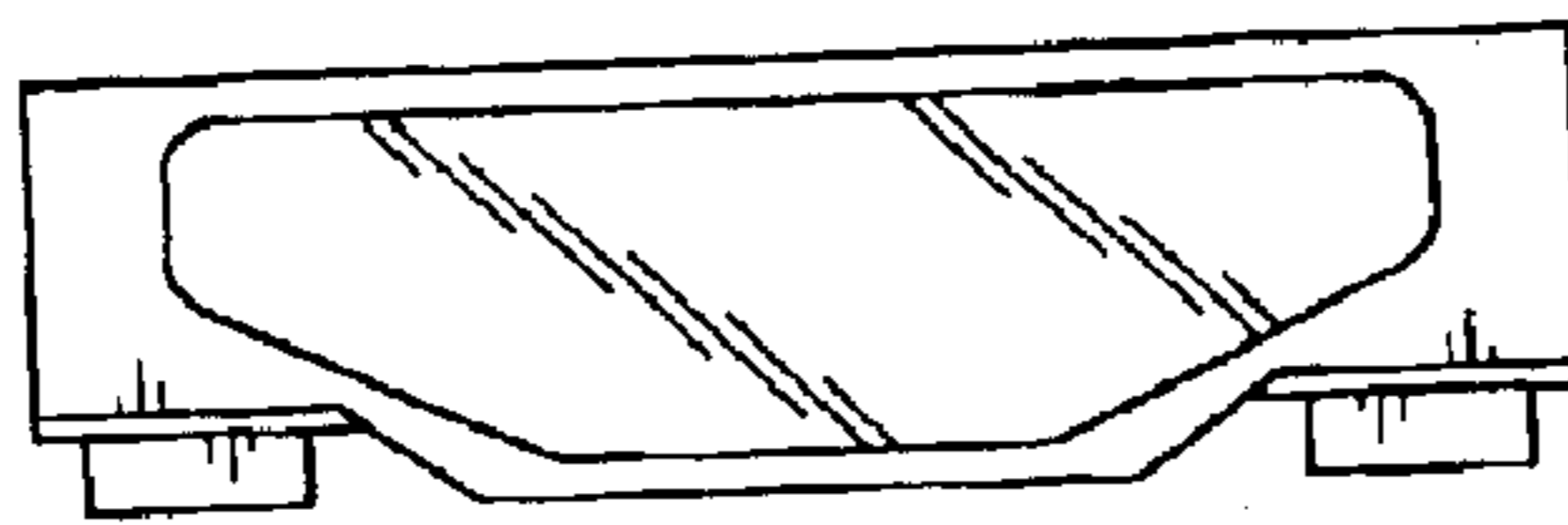


FIG. 11

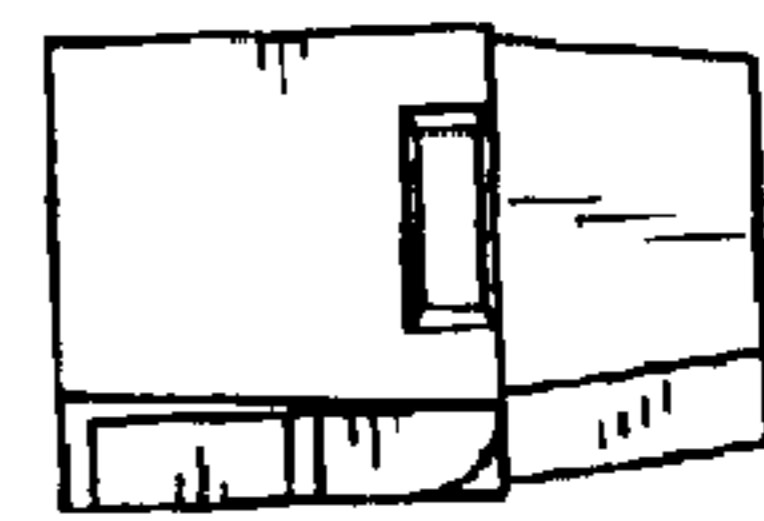


FIG. 12

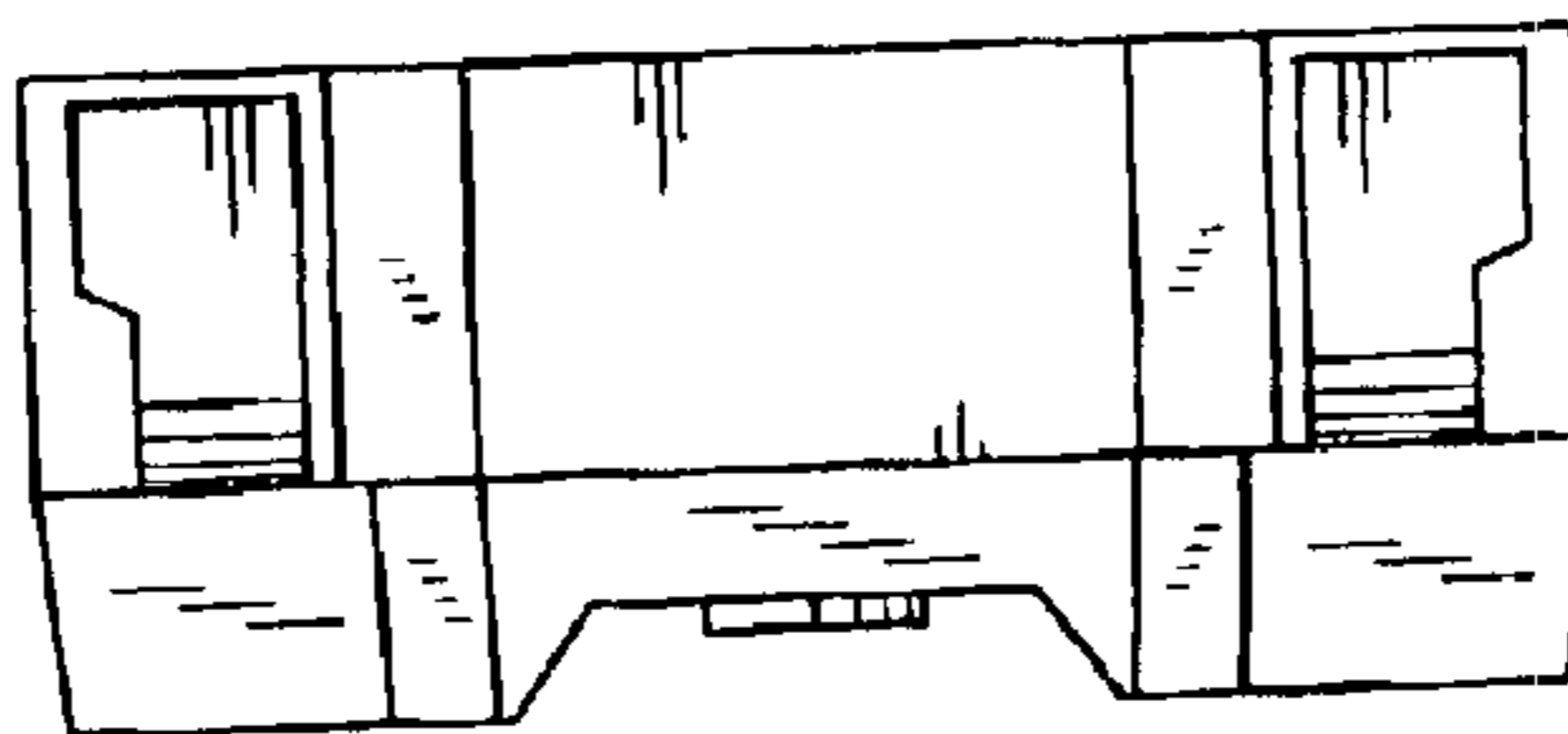


FIG. 13

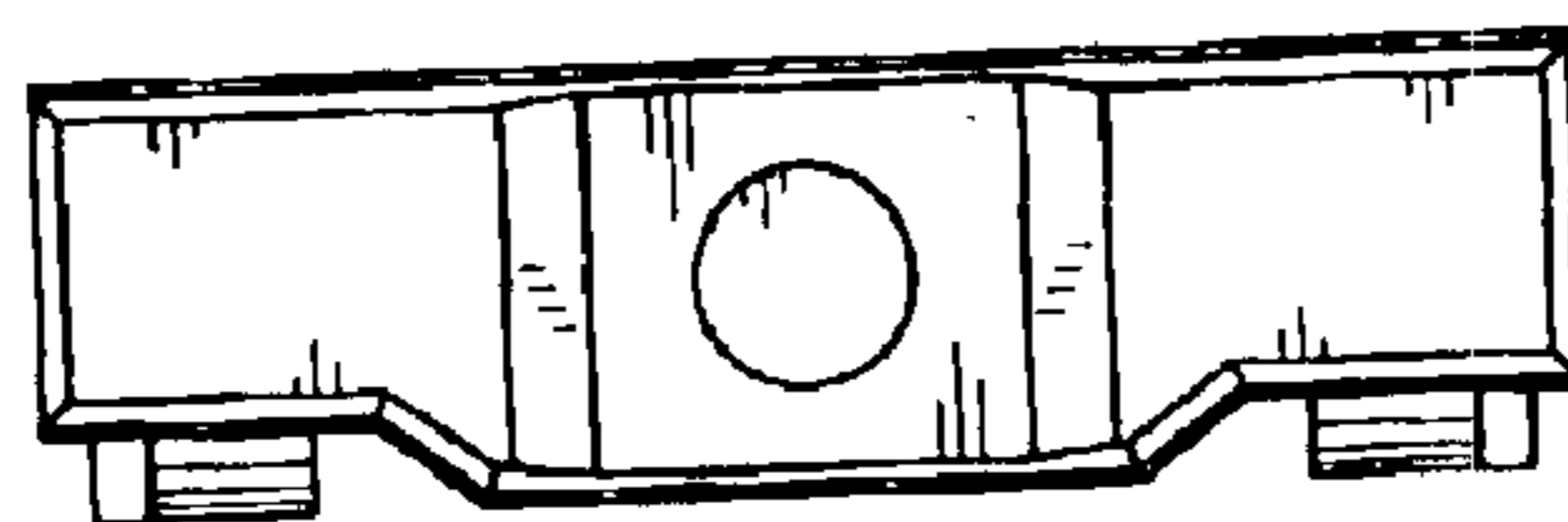


FIG. 14