



US00D509486S

(12) **United States Design Patent**
Yu et al.

(10) **Patent No.: US D509,486 S**
(45) **Date of Patent: ** Sep. 13, 2005**

(54) **HEAT SINK**

6,798,663 B1 * 9/2004 Rubenstein 361/710
6,816,373 B2 * 11/2004 Lee et al. 361/697

(75) Inventors: **Fang-Xiang Yu**, Shenzhen (CN);
Meng-Tzu Lee, Tu-Chen (TW);
Shu-Ho Lin, Tu-Chen (TW);
Ming-Kun Cao, Shenzhen (CN)

* cited by examiner

Primary Examiner—Stella Reid
Assistant Examiner—Selina Sikder
(74) *Attorney, Agent, or Firm*—Wei Te Chung

(73) Assignee: **Hon Hai Precision Ind. Co., Ltd.**,
Taipei Hsien (TW)

(57) **CLAIM**

(**) Term: **14 Years**

The ornamental design for a heat sink, as shown and described.

(21) Appl. No.: **29/220,423**

DESCRIPTION

(22) Filed: **Dec. 29, 2004**

FIG. 1 is an isometric view of a heat sink showing our new design;

(51) **LOC (8) Cl.** **13-03**

FIG. 2 is a front elevational view thereof;

(52) **U.S. Cl.** **D13/179**

FIG. 3 is a rear elevational view thereof;

(58) **Field of Search** D13/179; 165/80.3,
165/121, 122, 146, 104.33, 180, 185; 174/16.3;
257/706, 707, 718-722; 361/271, 274.3,
695, 697, 700, 702, 704, 709, 710, 711,
514, 719

FIG. 4 is a left side elevational view thereof;

FIG. 5 is a right side elevational view thereof;

FIG. 6 is a top plan view thereof;

FIG. 7 is a bottom plan view thereof;

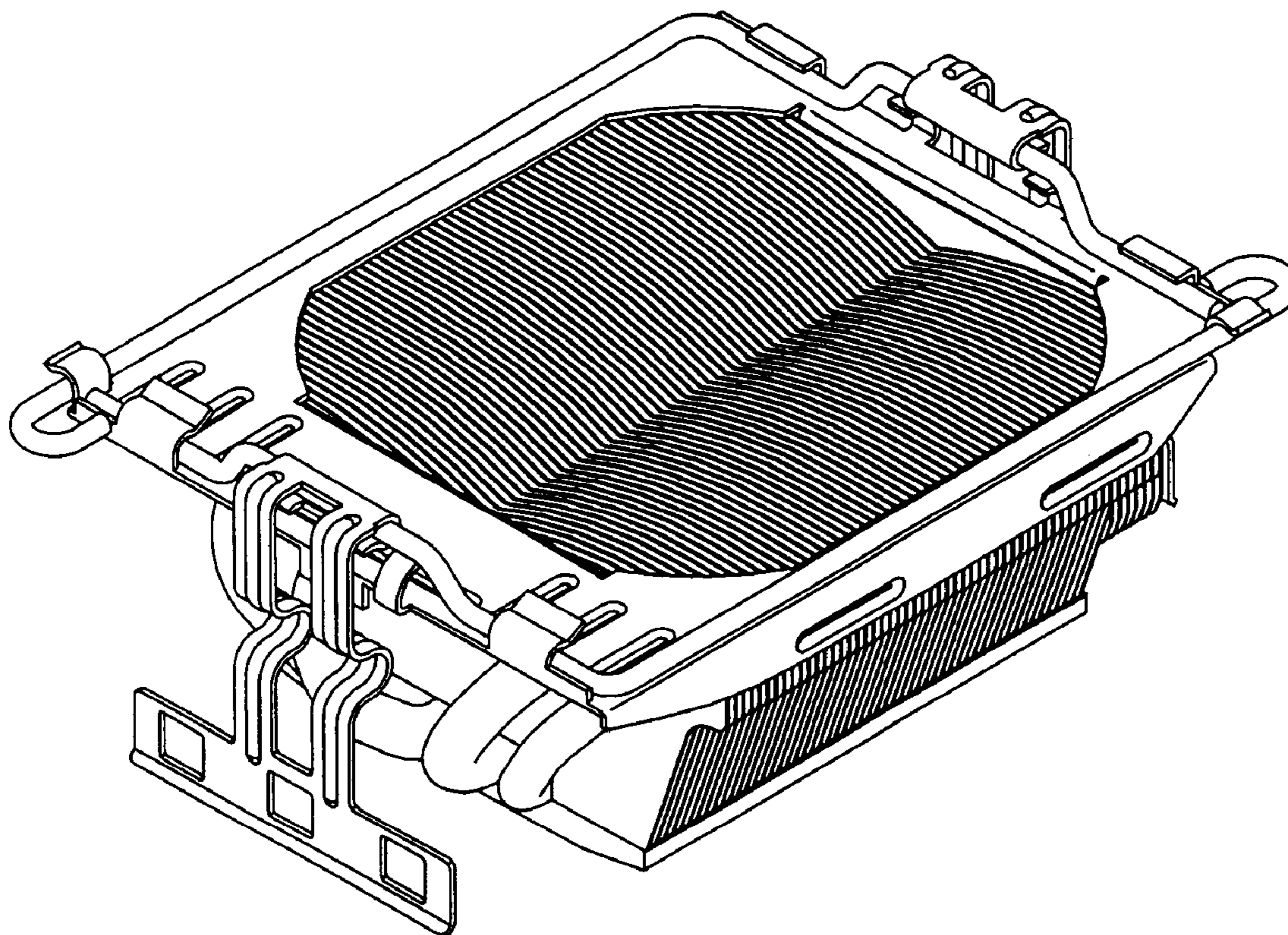
FIG. 8 is similar to FIG. 1, but shown in a second state; and,
FIG. 9 shows the heat sink of FIG. 1 being mounted to a retention module and having a fan mounted thereon, wherein the retention module and the fan are shown for illustrative purpose only and form no part of the claimed design.

(56) **References Cited**

U.S. PATENT DOCUMENTS

6,118,661 A * 9/2000 Lo 361/704
6,556,443 B1 * 4/2003 Wei 361/704
6,731,504 B1 * 5/2004 Liu 361/704

1 Claim, 7 Drawing Sheets



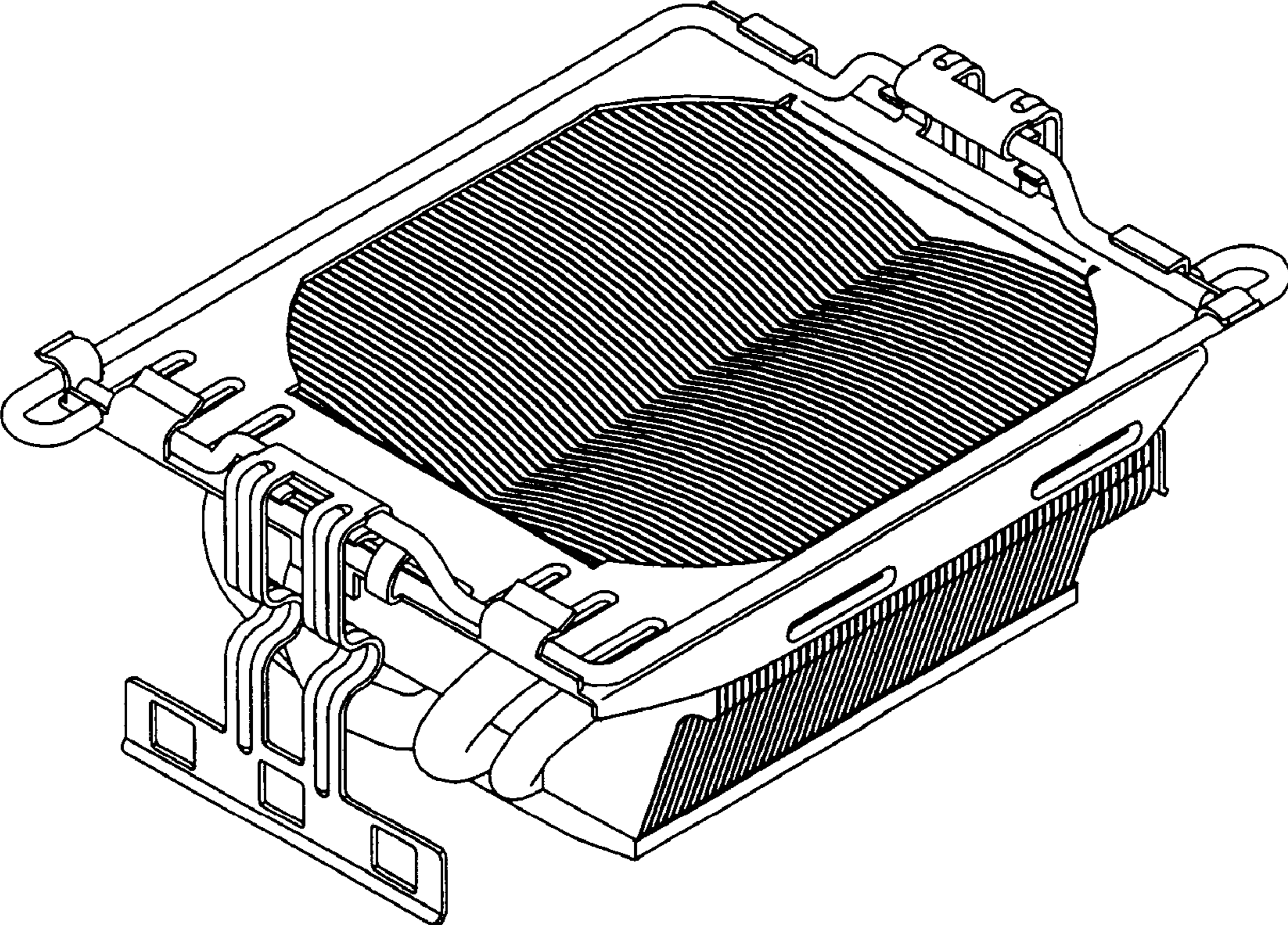


FIG. 1

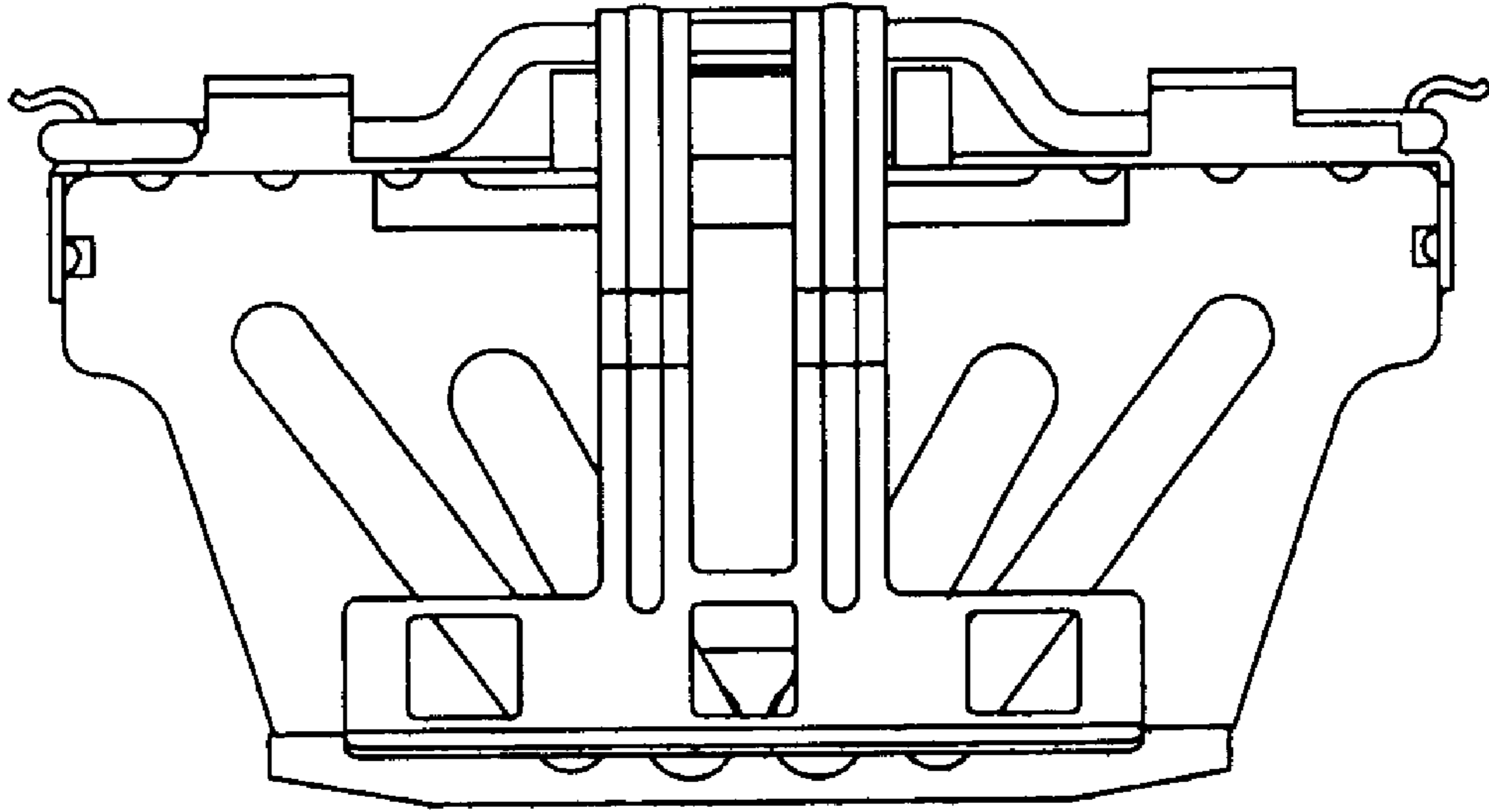


FIG. 2

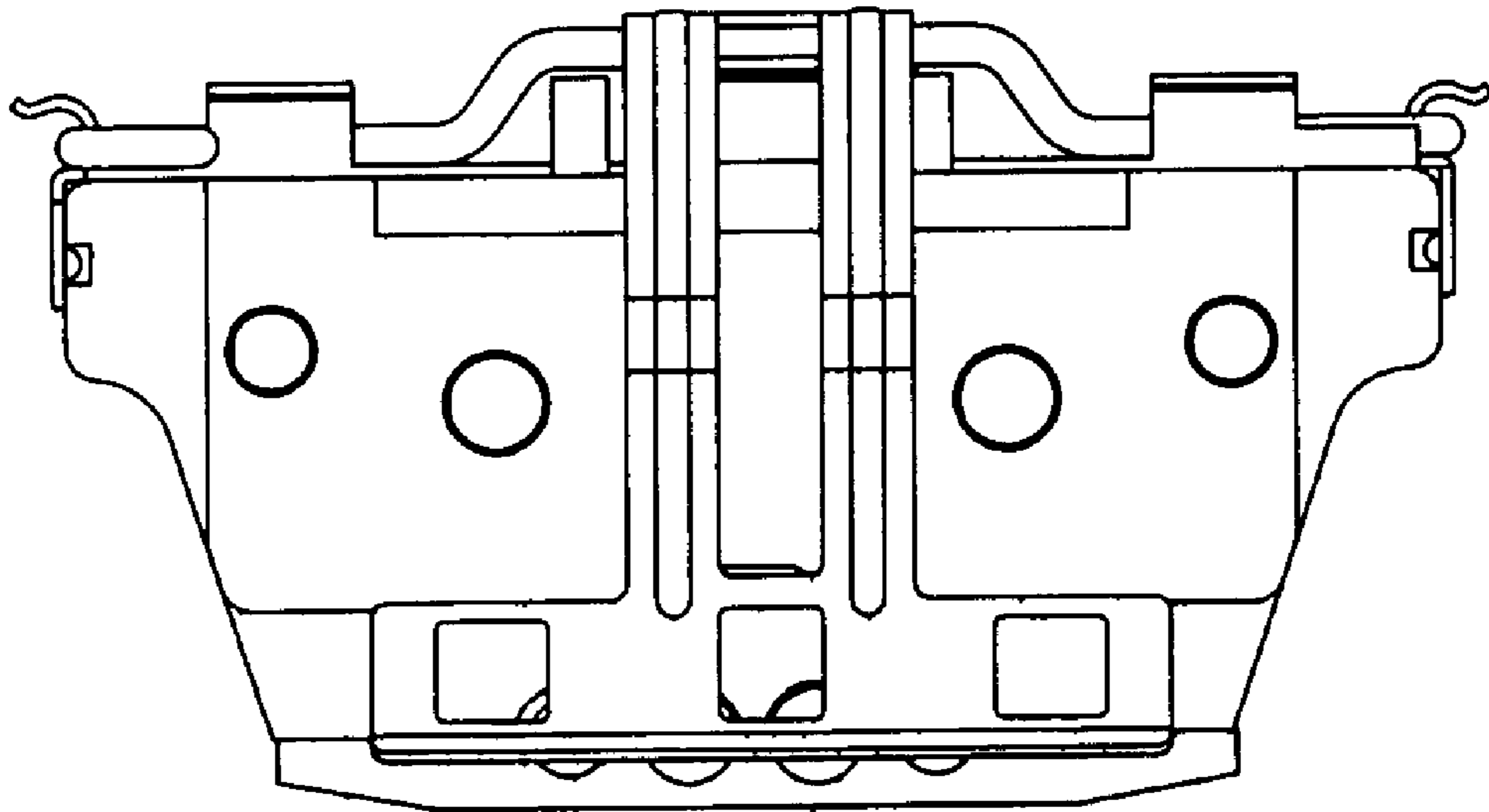


FIG. 3

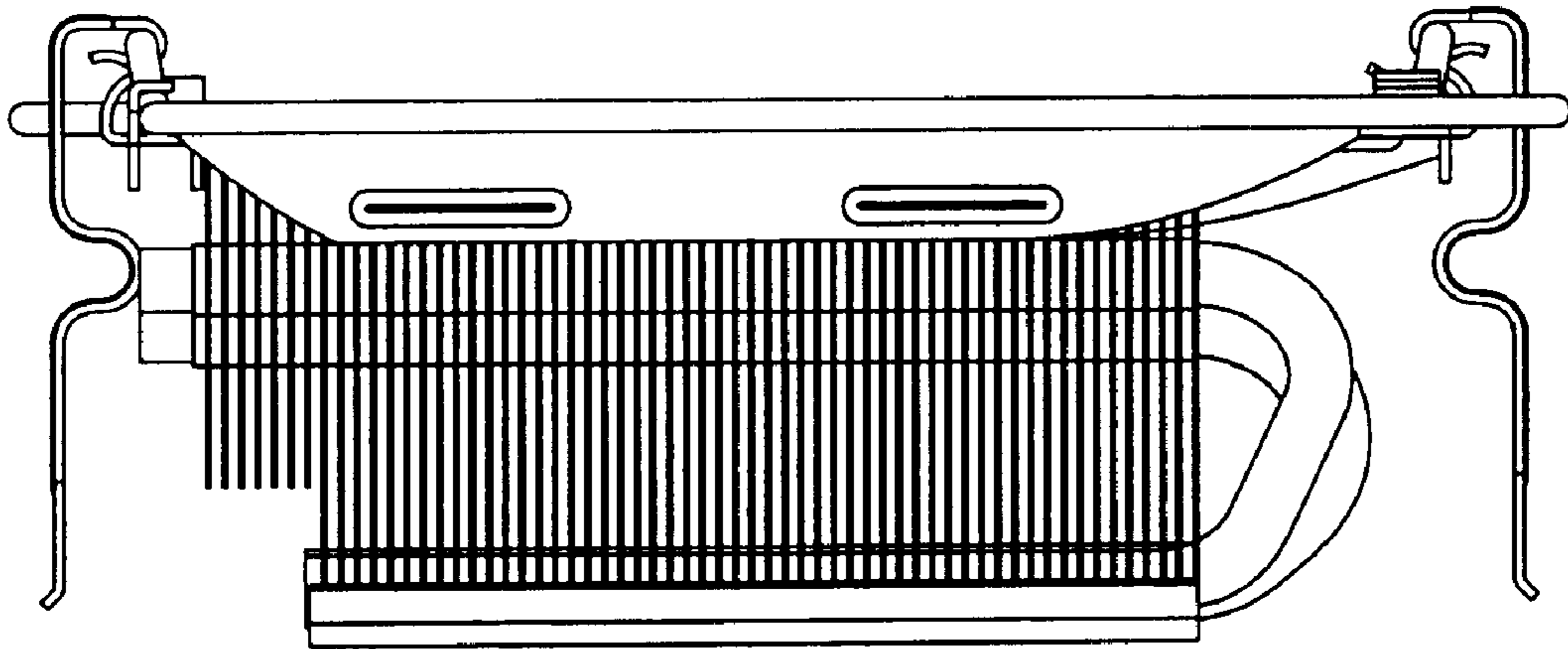


FIG. 4

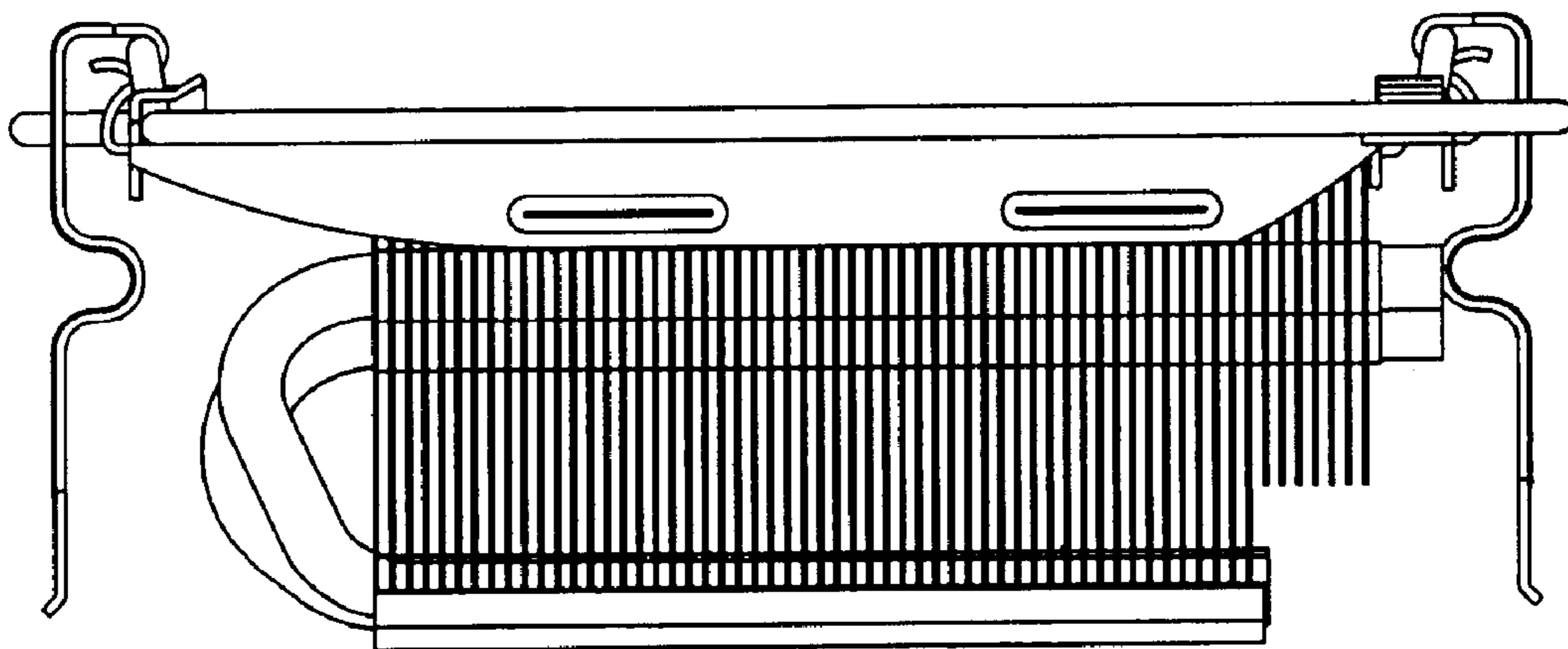


FIG. 5

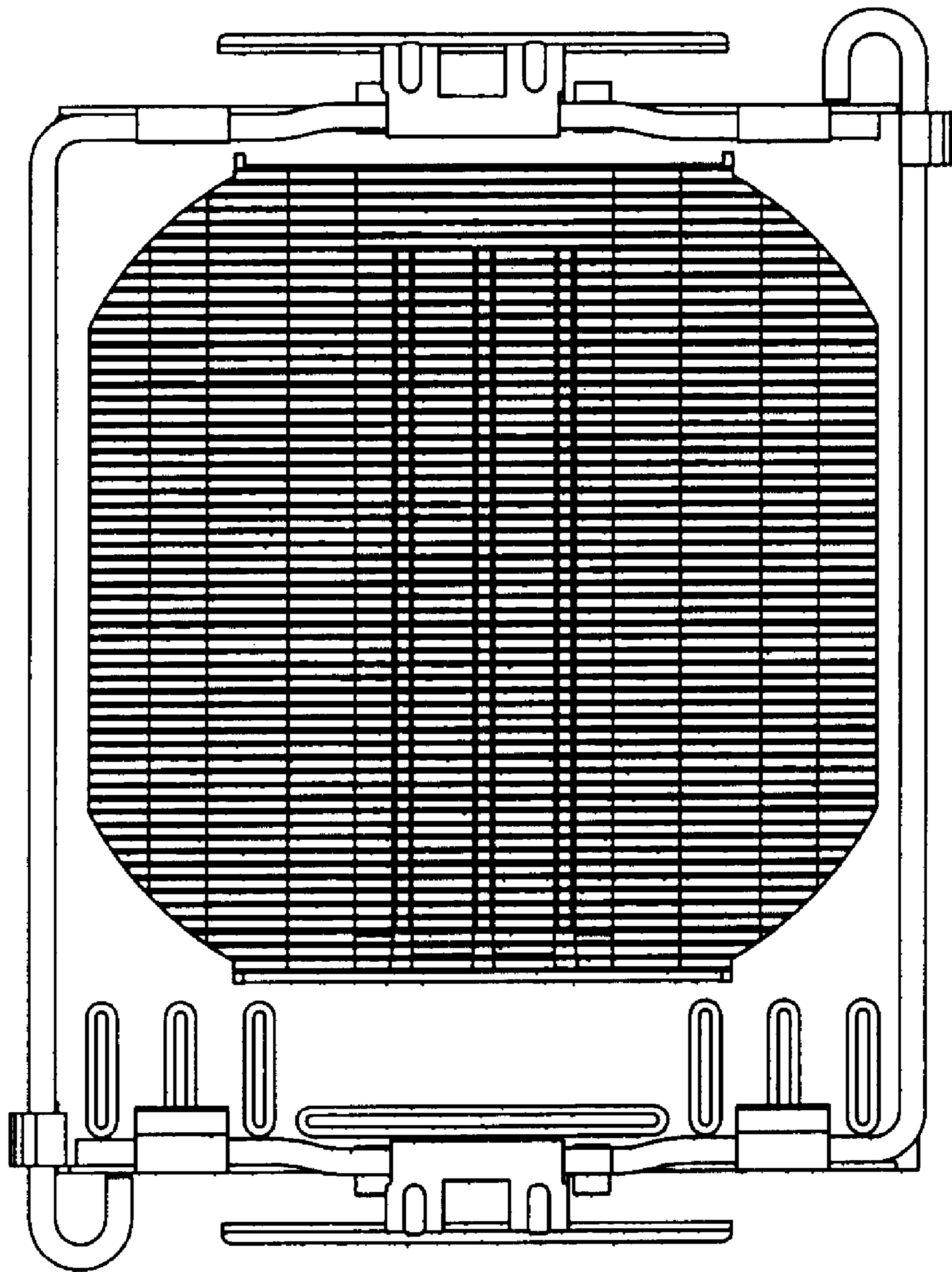


FIG. 6

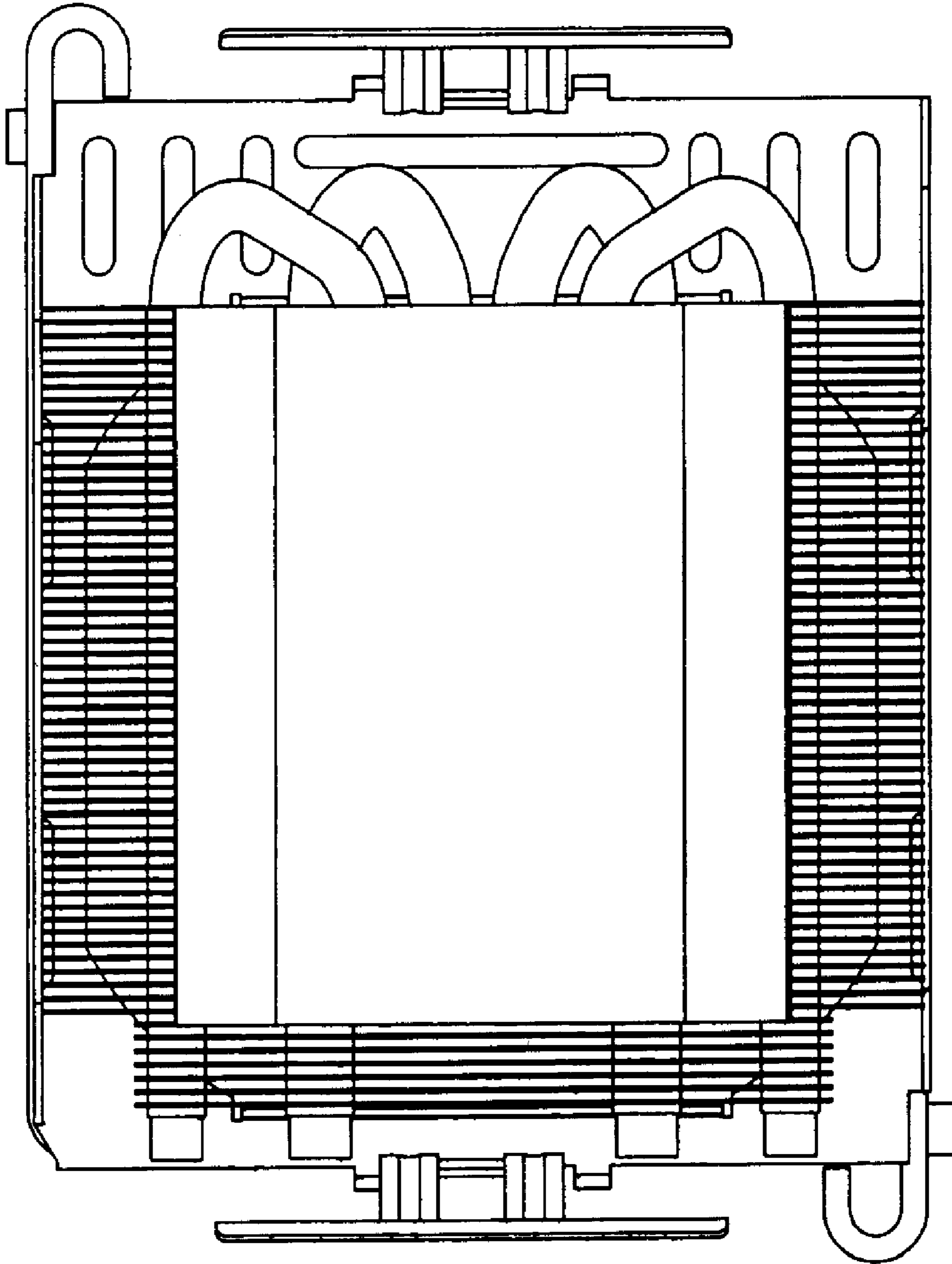


FIG. 7

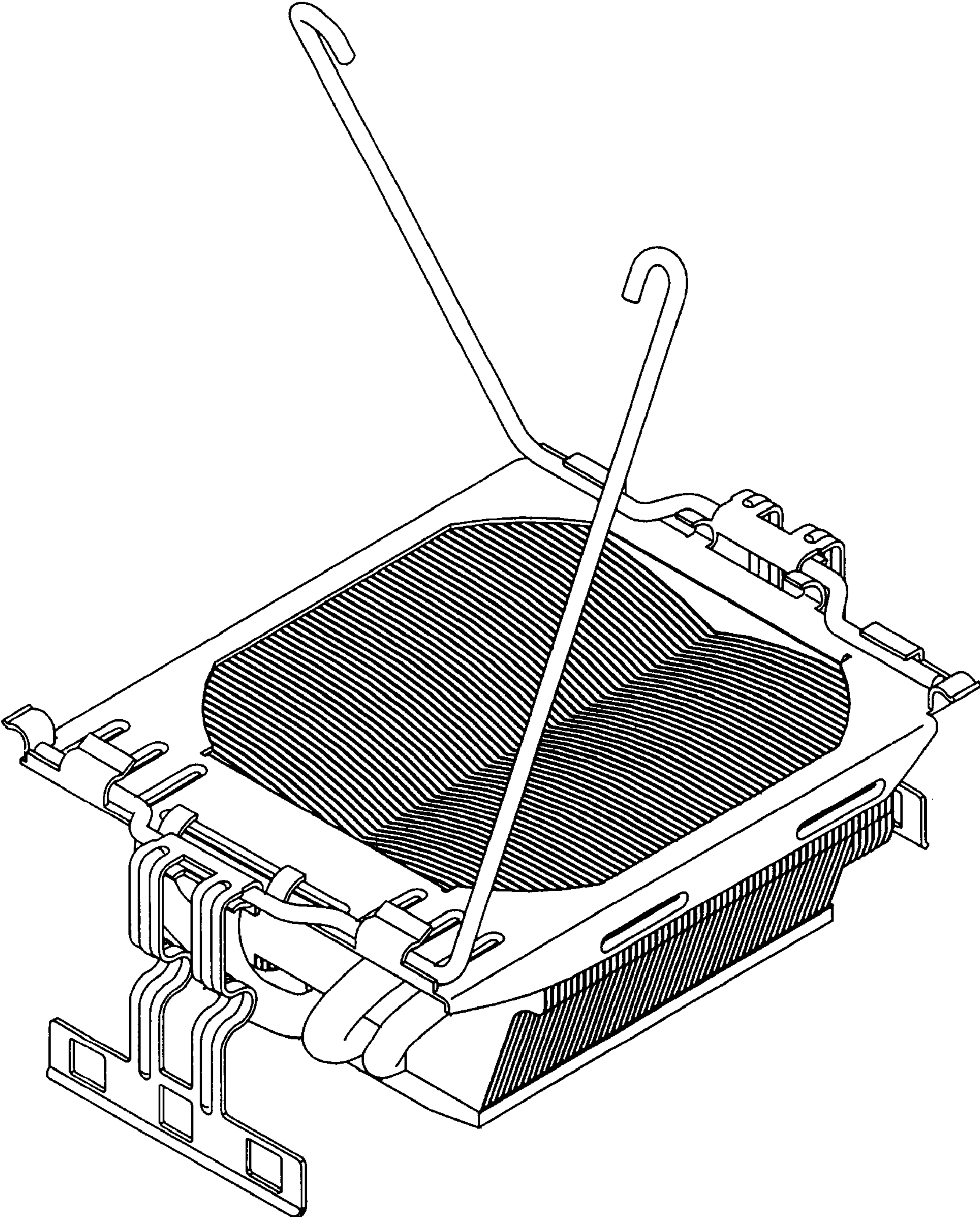


FIG. 8

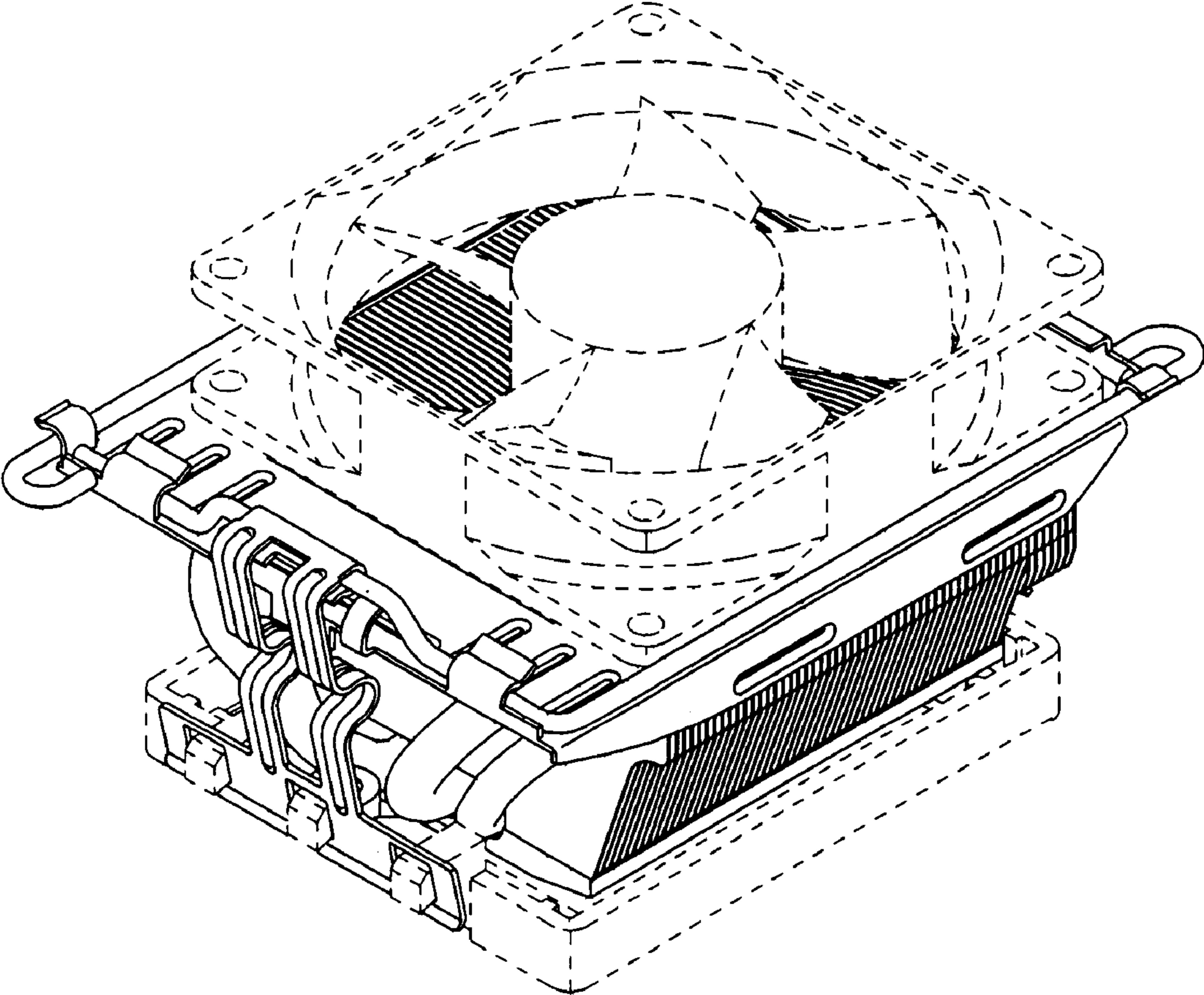


FIG. 9