

US00D509485S

(12) **United States Design Patent**  
**Mochizuki et al.**

(10) **Patent No.:** **US D509,485 S**  
(45) **Date of Patent:** **\*\* Sep. 13, 2005**

(54) **HEAT SINK**

(75) Inventors: **Masataka Mochizuki**, Tokyo (JP);  
**Koichi Mashiko**, Tokyo (JP)

(73) Assignee: **Fujikura Ltd.**, Tokyo (JP)

(\*\*) Term: **14 Years**

(21) Appl. No.: **29/206,890**

(22) Filed: **Jun. 7, 2004**

(30) **Foreign Application Priority Data**

Dec. 9, 2003 (JP) ..... 2003-036544

(51) **LOC (8) Cl.** ..... **13-03**

(52) **U.S. Cl.** ..... **D13/179**

(58) **Field of Search** ..... D13/179; 165/80.3,  
165/121, 122, 146, 104.33, 180, 185; 174/16.3;  
257/706, 707, 718-722; 361/271, 274.3,  
695, 697, 700, 702, 704, 709, 710, 711,  
514, 719

(56) **References Cited**

**U.S. PATENT DOCUMENTS**

6,236,569 B1 \* 5/2001 McEuen ..... 361/719  
6,459,584 B1 \* 10/2002 Kuo ..... 361/704  
6,560,111 B1 \* 5/2003 Lo ..... 361/719

D478,876 S \* 8/2003 Tan et al. .... D13/179  
6,621,699 B2 \* 9/2003 Watanabe et al. .... 361/697  
6,671,172 B2 \* 12/2003 Carter et al. .... 361/697  
D501,450 S \* 2/2005 Watanabe et al. .... D13/179

\* cited by examiner

*Primary Examiner*—Stella Reid  
*Assistant Examiner*—Selina Sikder

(74) *Attorney, Agent, or Firm*—Sughrue Mion, PLLC

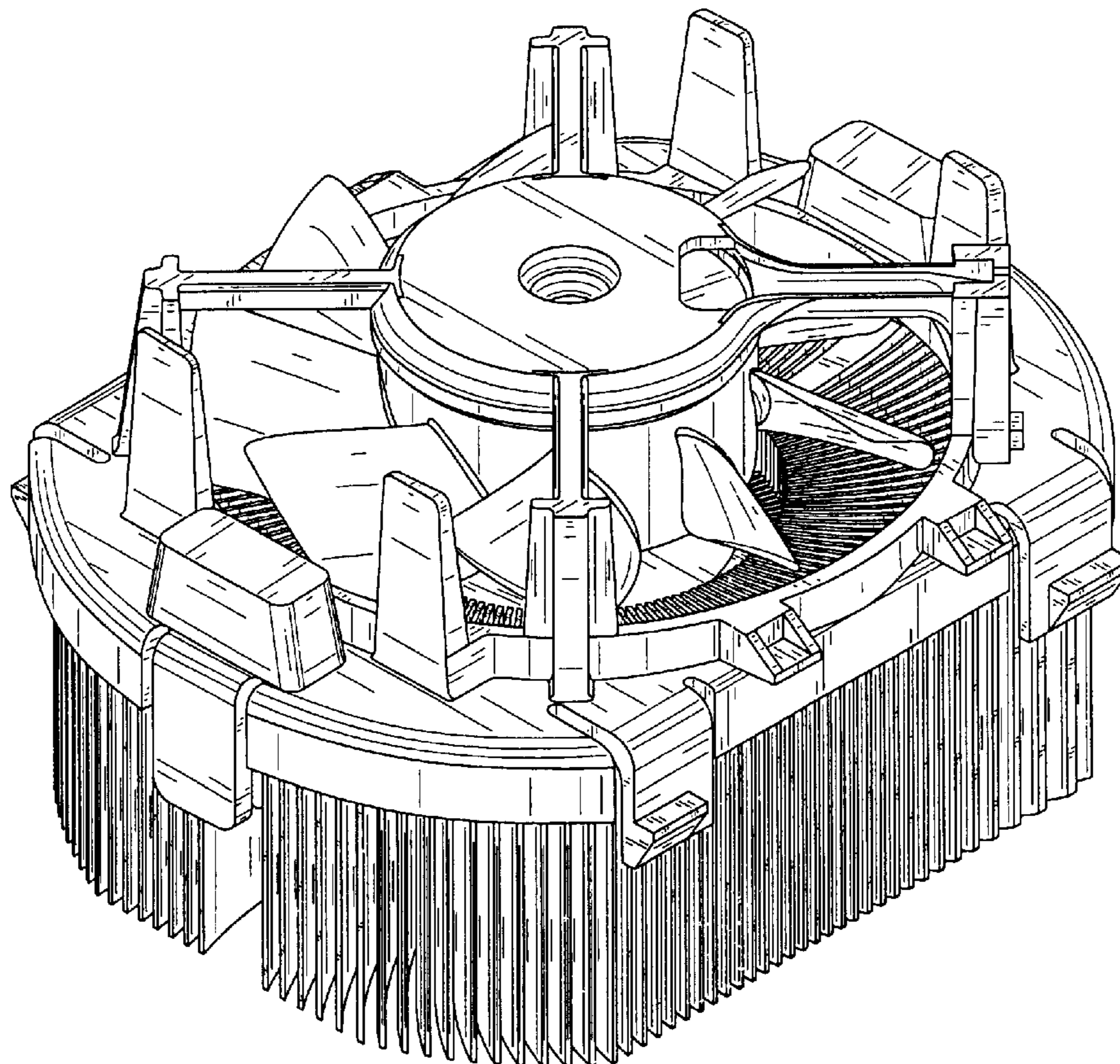
(57) **CLAIM**

The ornamental design for a heat sink, as shown and described.

**DESCRIPTION**

FIG. 1 is a perspective view of the top, front and left side of a heat sink showing our new design; FIG. 2 is a front elevational view thereof; FIG. 3 is a back elevational view thereof; FIG. 4 is a left elevational view thereof; FIG. 5 is a right elevational view thereof; FIG. 6 is a top plan view thereof; FIG. 7 is a bottom plan view thereof; and, FIG. 8 is a perspective view similar to FIG. 1 showing the shroud and fan in exploded condition from the fin body of the heat sink.

**1 Claim, 8 Drawing Sheets**



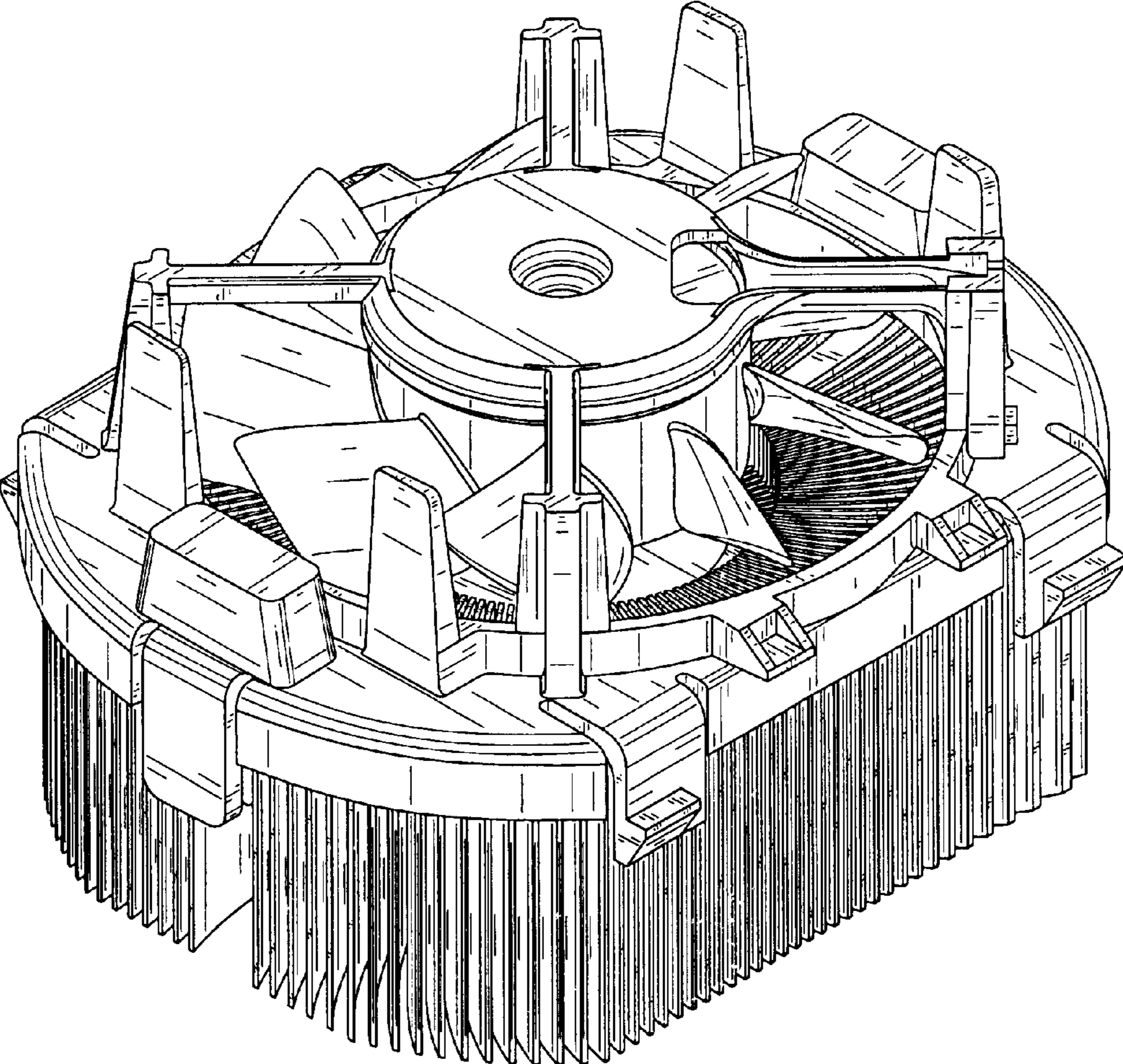


FIG. 1

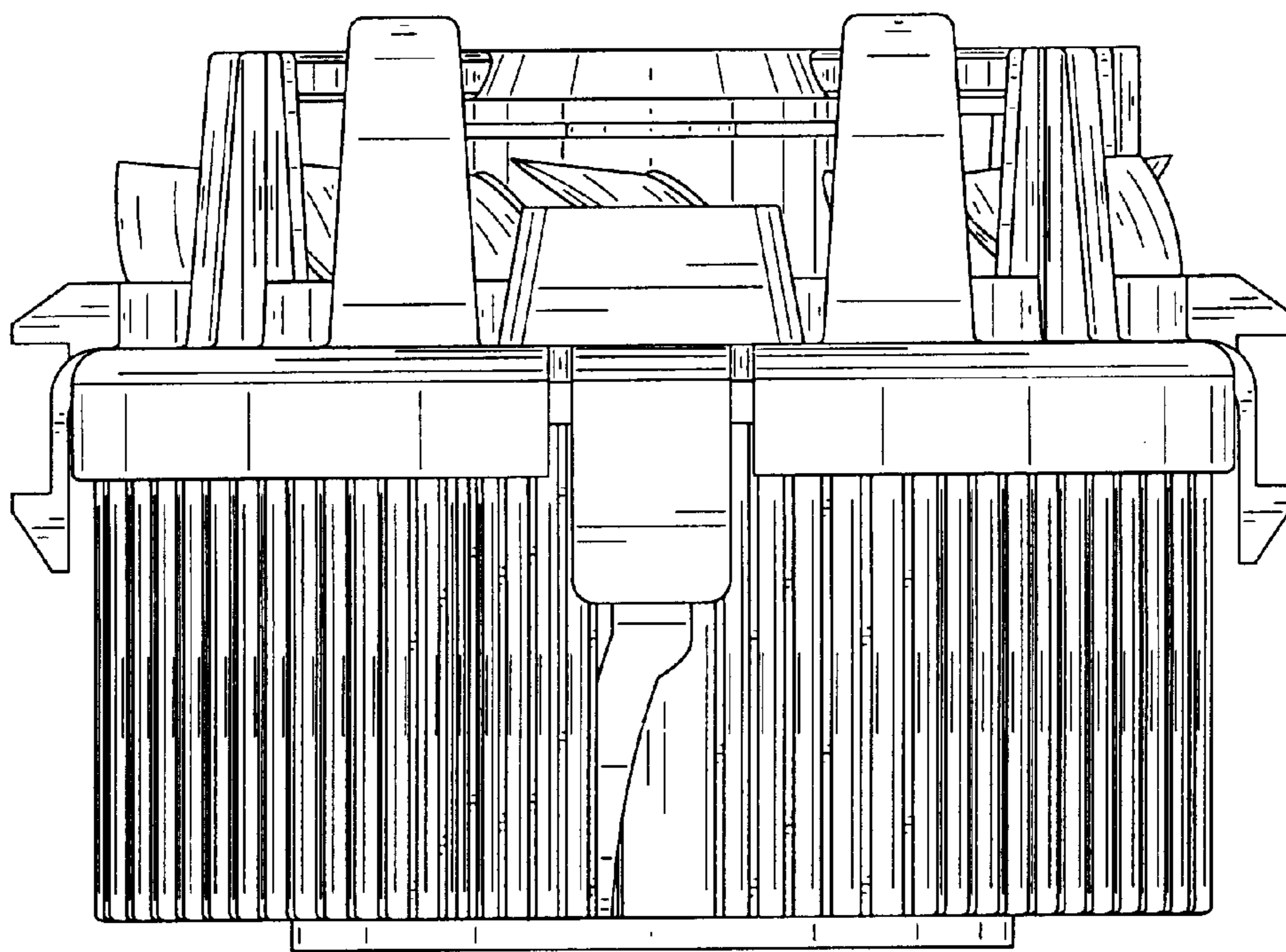


FIG. 2



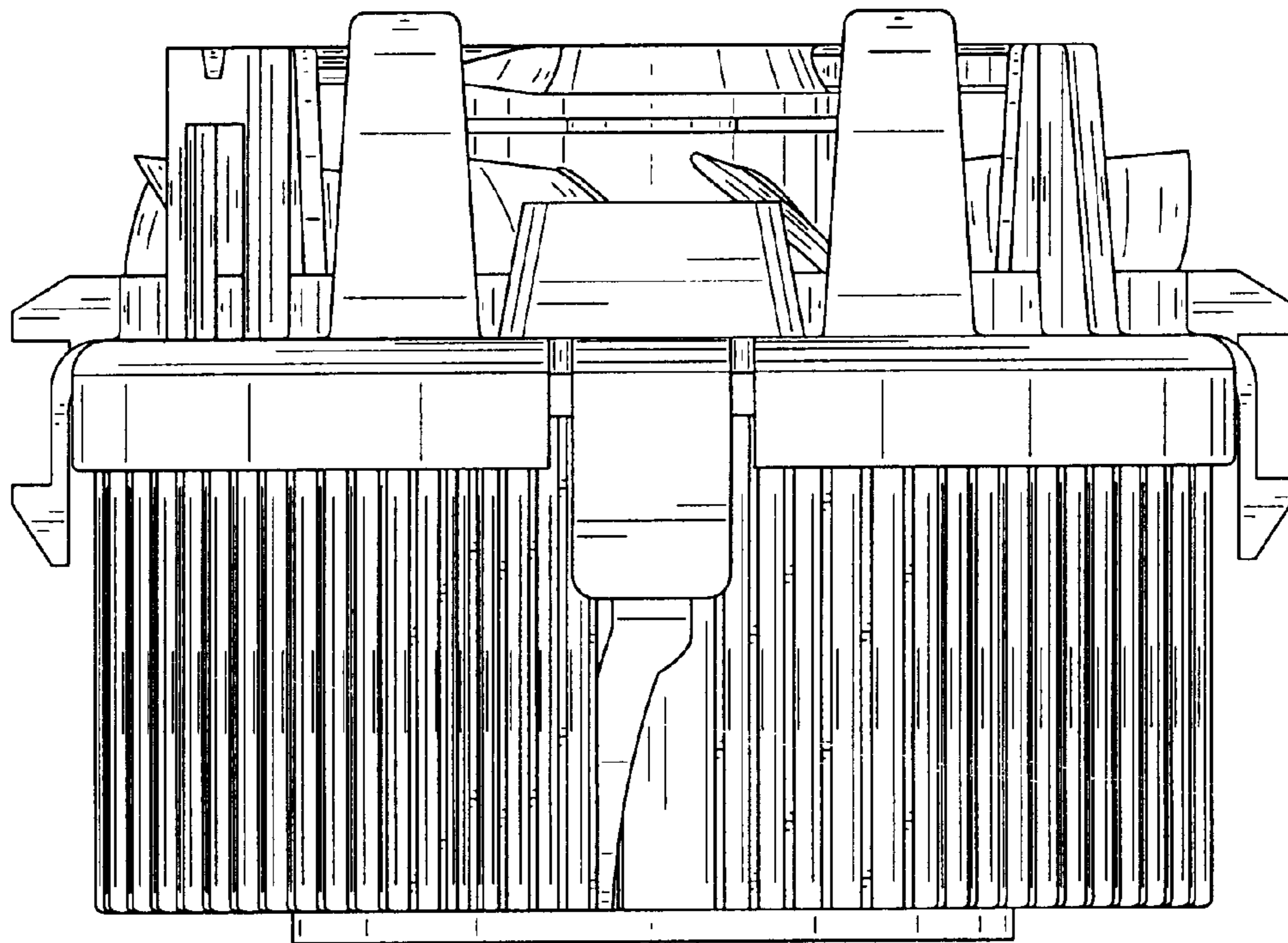


FIG. 3

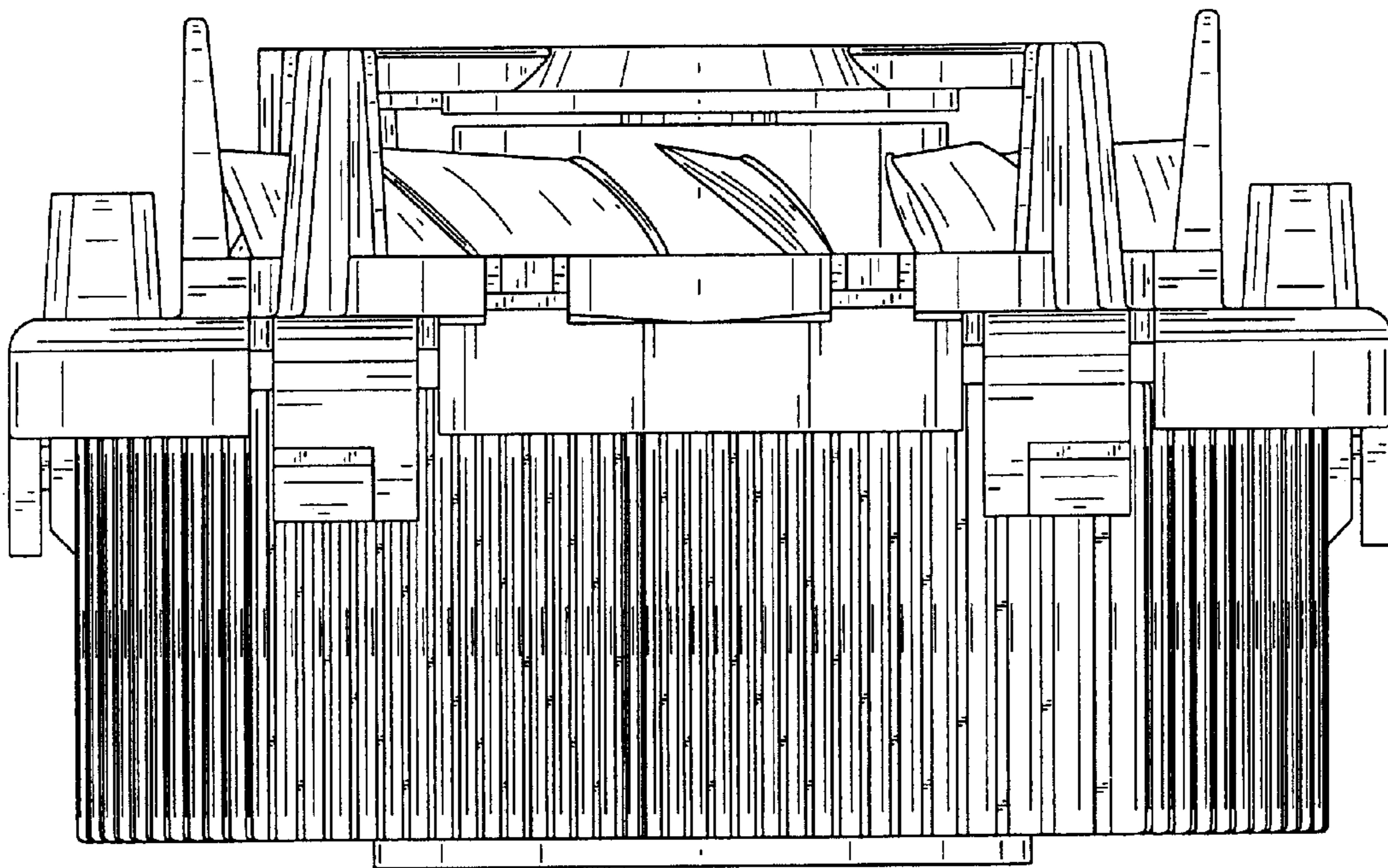


FIG. 4

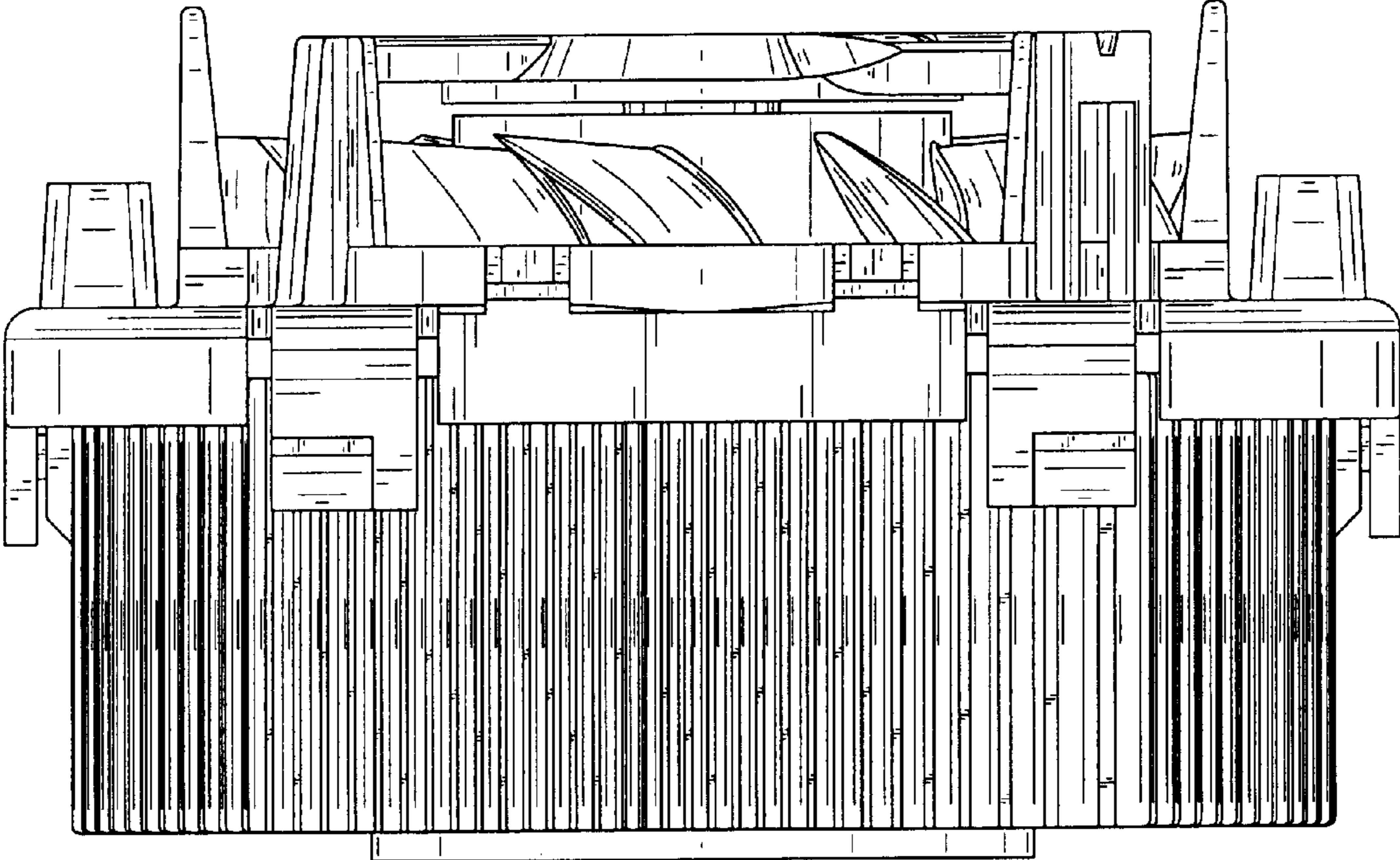


FIG. 5

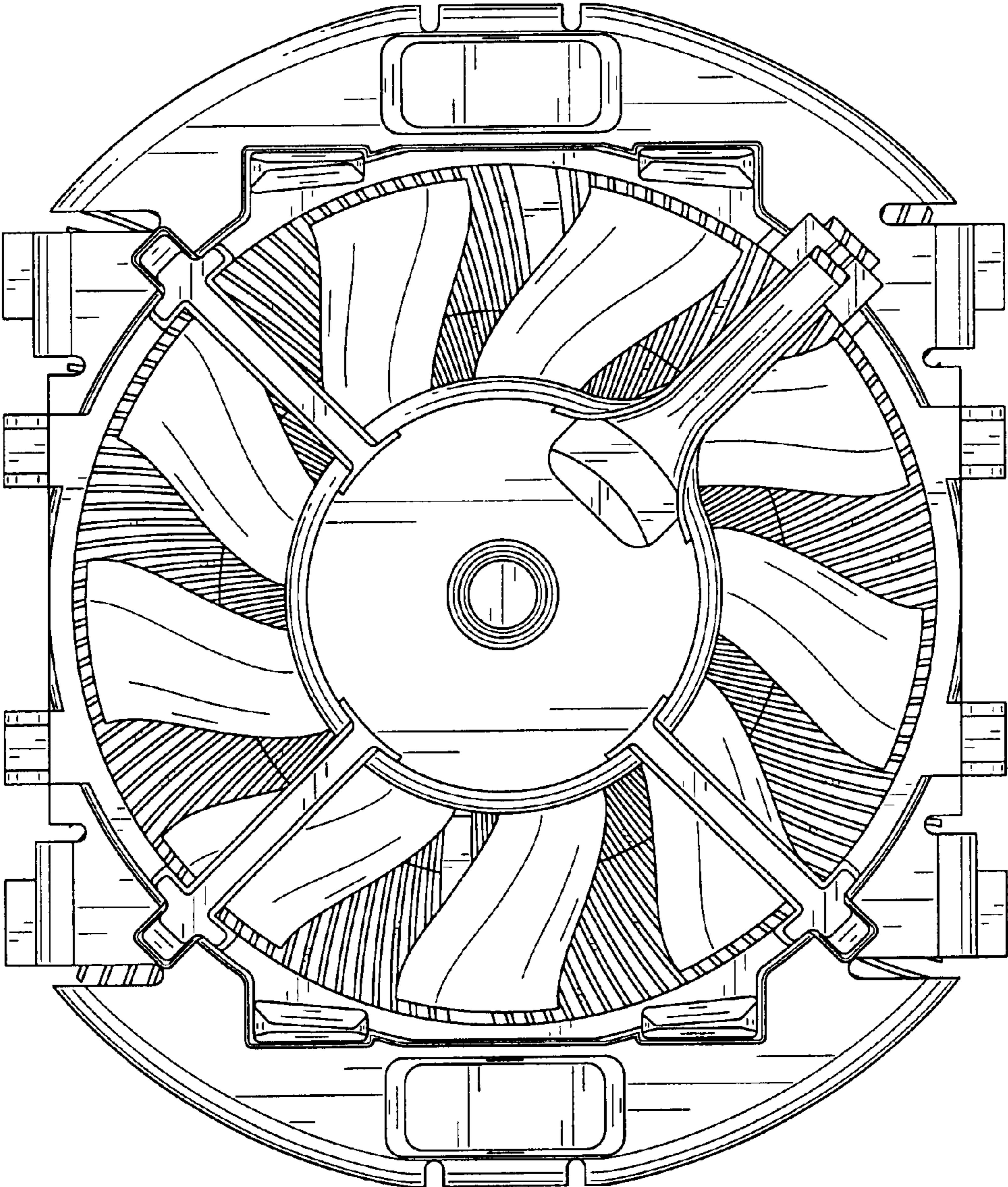


FIG. 6



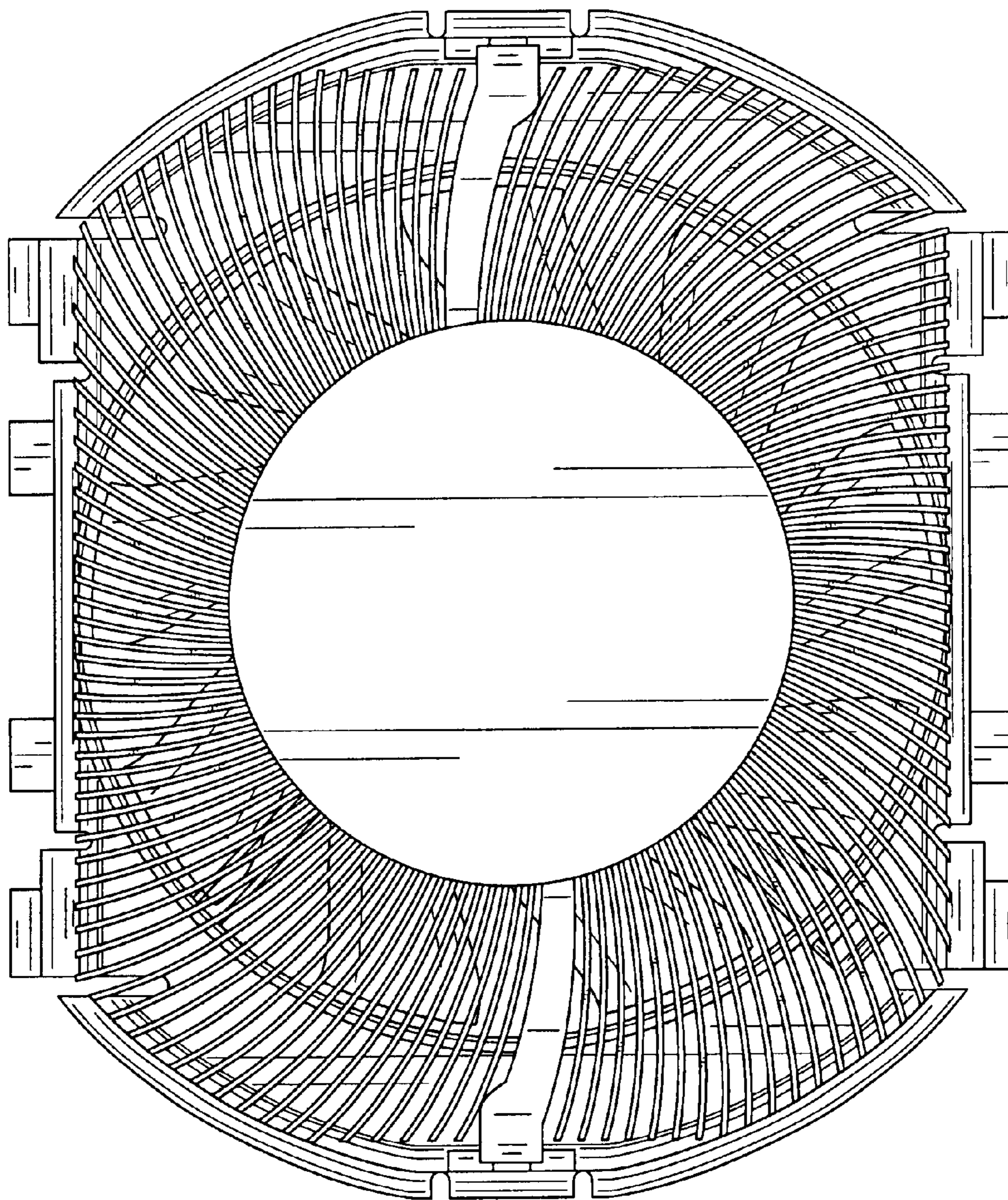


FIG. 7



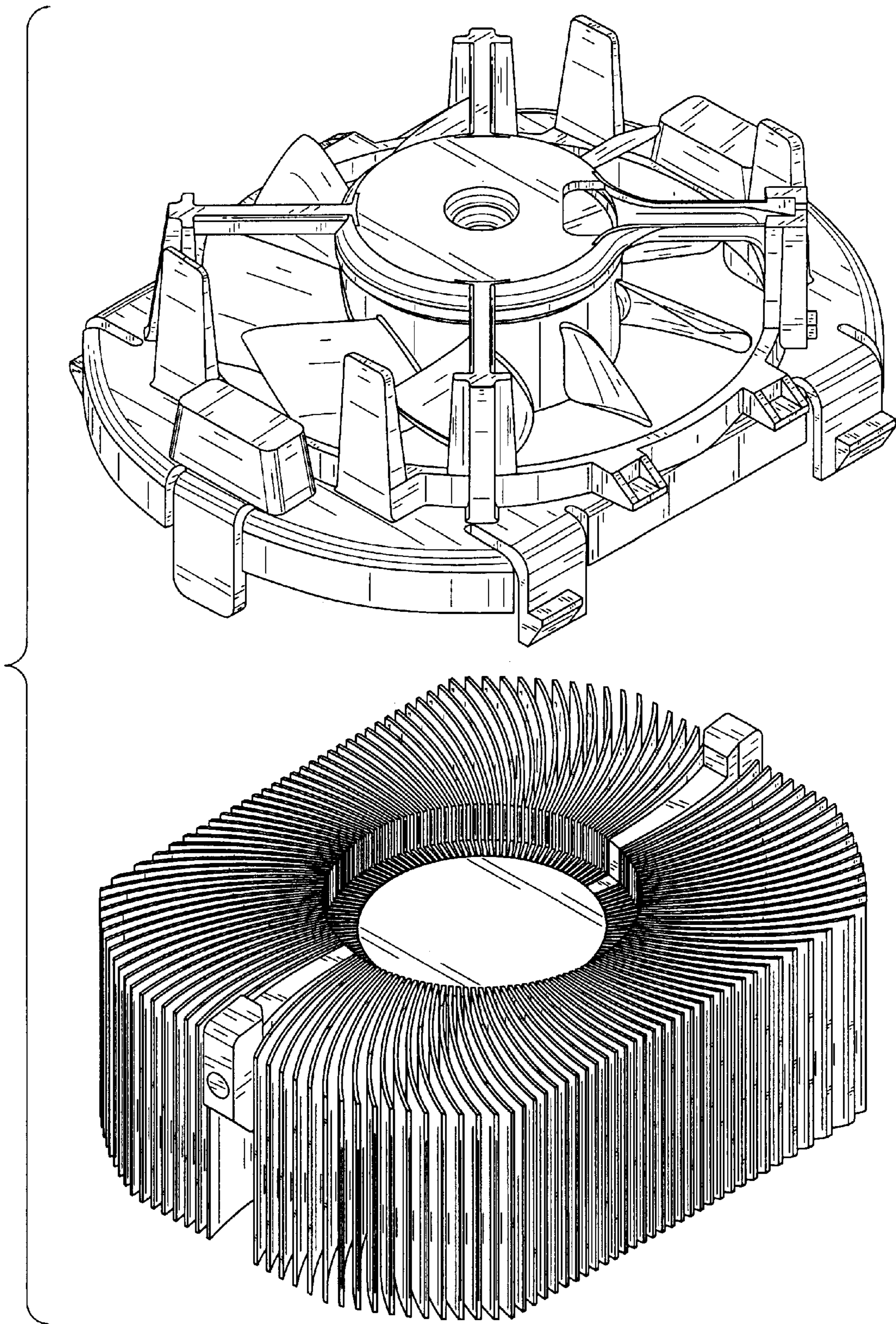


FIG. 8