

US00D509484S

(12) **United States Design Patent**
Mochizuki et al.

(10) **Patent No.:** **US D509,484 S**

(45) **Date of Patent:** **** Sep. 13, 2005**

(54) **HEAT SINK**

(75) Inventors: **Masataka Mochizuki**, Tokyo (JP);
Koichi Mashiko, Tokyo (JP)

(73) Assignee: **Fujikura Ltd.**, Tokyo (JP)

(**) Term: **14 Years**

(21) Appl. No.: **29/206,825**

(22) Filed: **Jun. 4, 2004**

(30) **Foreign Application Priority Data**

Dec. 9, 2003 (JP) 2003-036543

(51) **LOC (8) Cl.** **13-03**

(52) **U.S. Cl.** **D13/179**

(58) **Field of Search** D13/179; 165/80.3,
165/121, 122, 146, 104.33, 180, 185; 174/16.3;
257/706, 707, 718-722, 271, 274.3, 695,
697, 700, 702, 704, 709, 710, 711, 514,
719

(56) **References Cited**

U.S. PATENT DOCUMENTS

6,236,569 B1 * 5/2001 McEuen 361/719
6,459,584 B1 * 10/2002 Kuo 361/704
6,560,111 B1 * 5/2003 Lo 361/719

D478,876 S * 8/2003 Tan et al. D13/179
6,621,699 B2 * 9/2003 Watanabe et al. 361/697
6,671,172 B2 * 12/2003 Carter et al. 361/697
D501,450 S * 2/2005 Watanabe et al. D13/179

* cited by examiner

Primary Examiner—Stella Reid
Assistant Examiner—Selina Sikder

(74) *Attorney, Agent, or Firm*—Sughrue Mion, PLLC

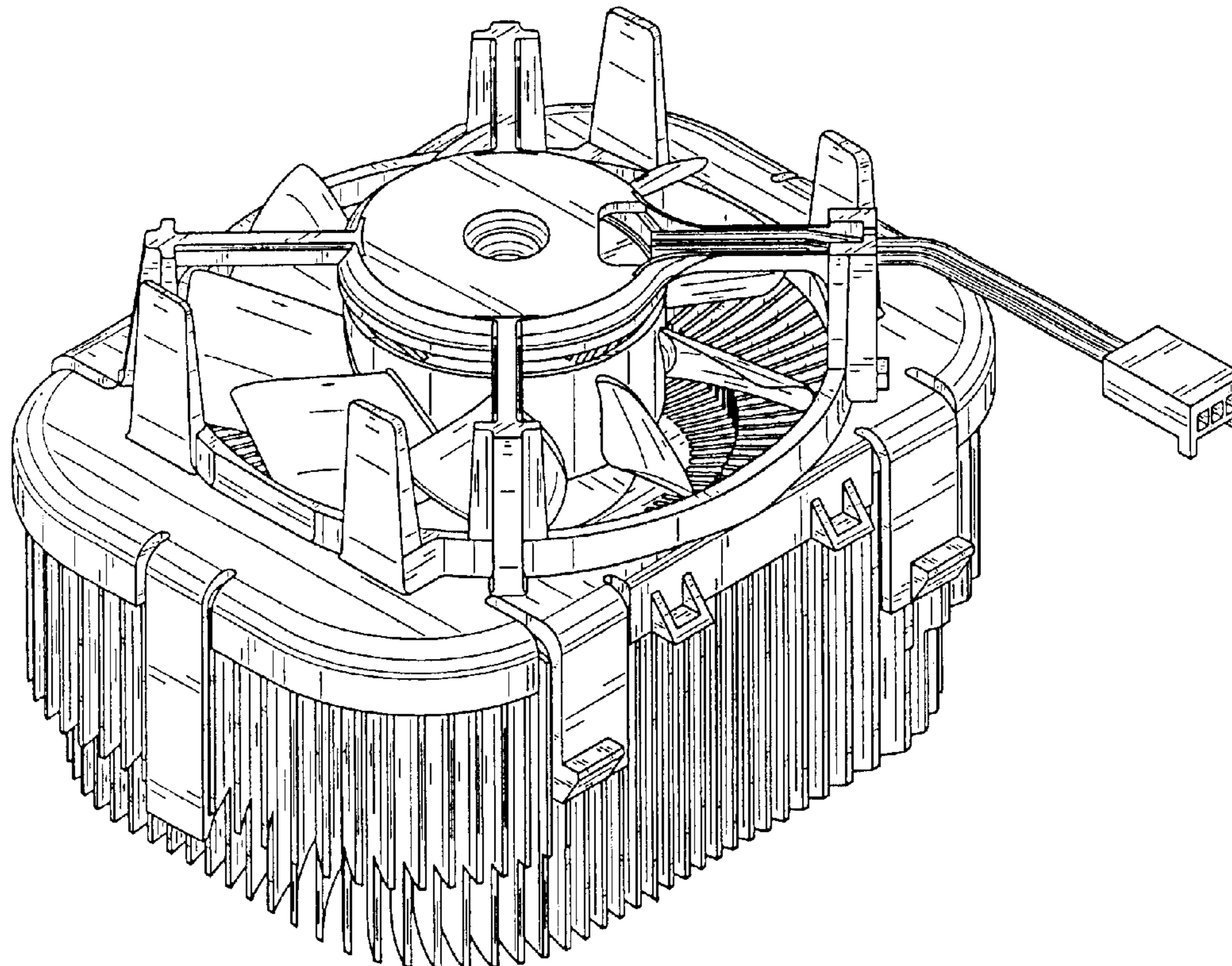
(57) **CLAIM**

The ornamental design for a heat sink, as shown and described.

DESCRIPTION

FIG. 1 is a perspective view of the top, front and left side of a heat sink showing our new design; FIG. 2 is a front elevational view thereof; FIG. 3 is a rear elevational view thereof; FIG. 4 is a left elevational view thereof; FIG. 5 is a right elevational view thereof; FIG. 6 is a top plan view thereof; FIG. 7 is a bottom plan view thereof; and, FIG. 8 is a perspective view similar to FIG. 1 showing the shroud and fan in exploded condition from the fin body of the heat sink.

1 Claim, 8 Drawing Sheets



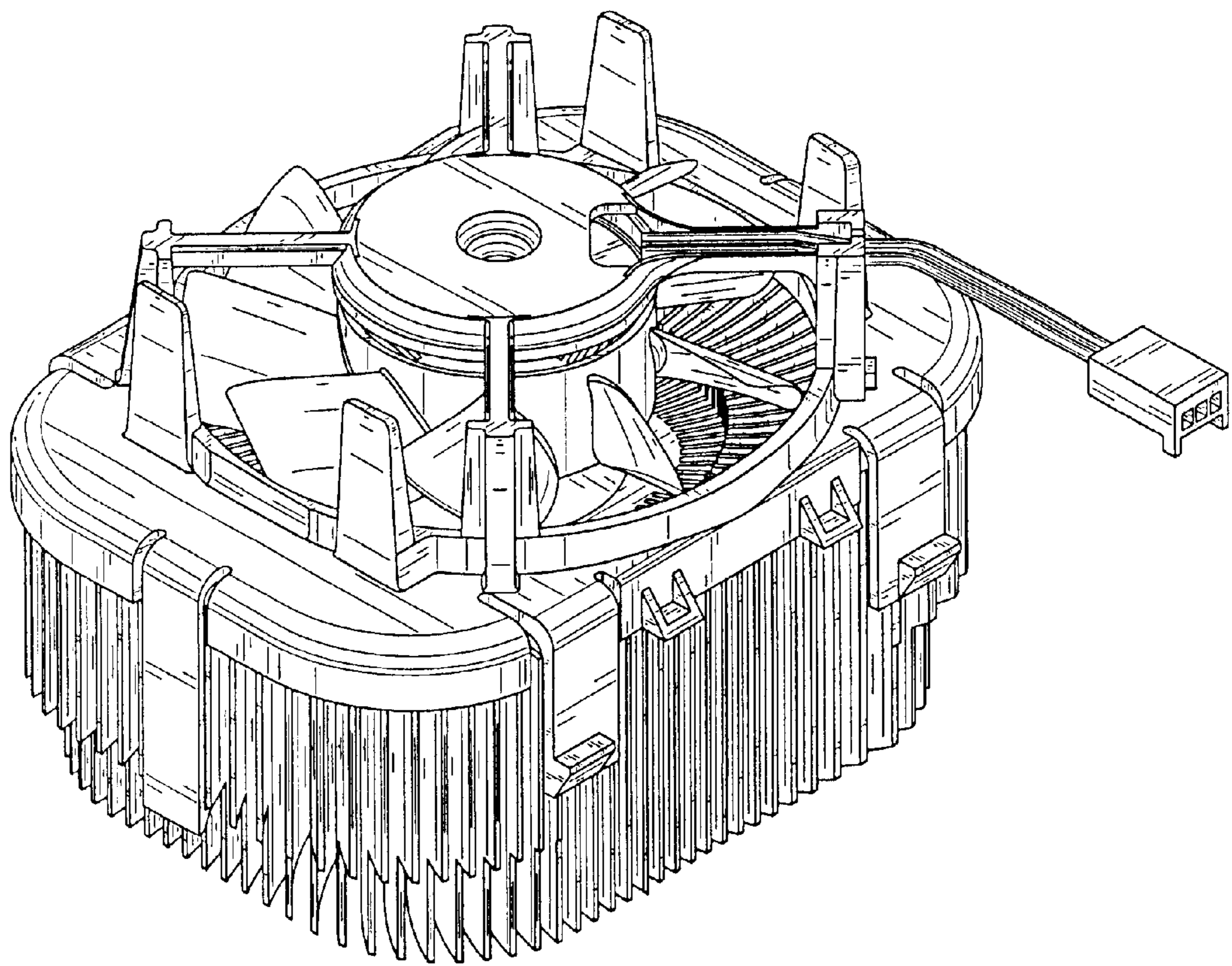


FIG. 1

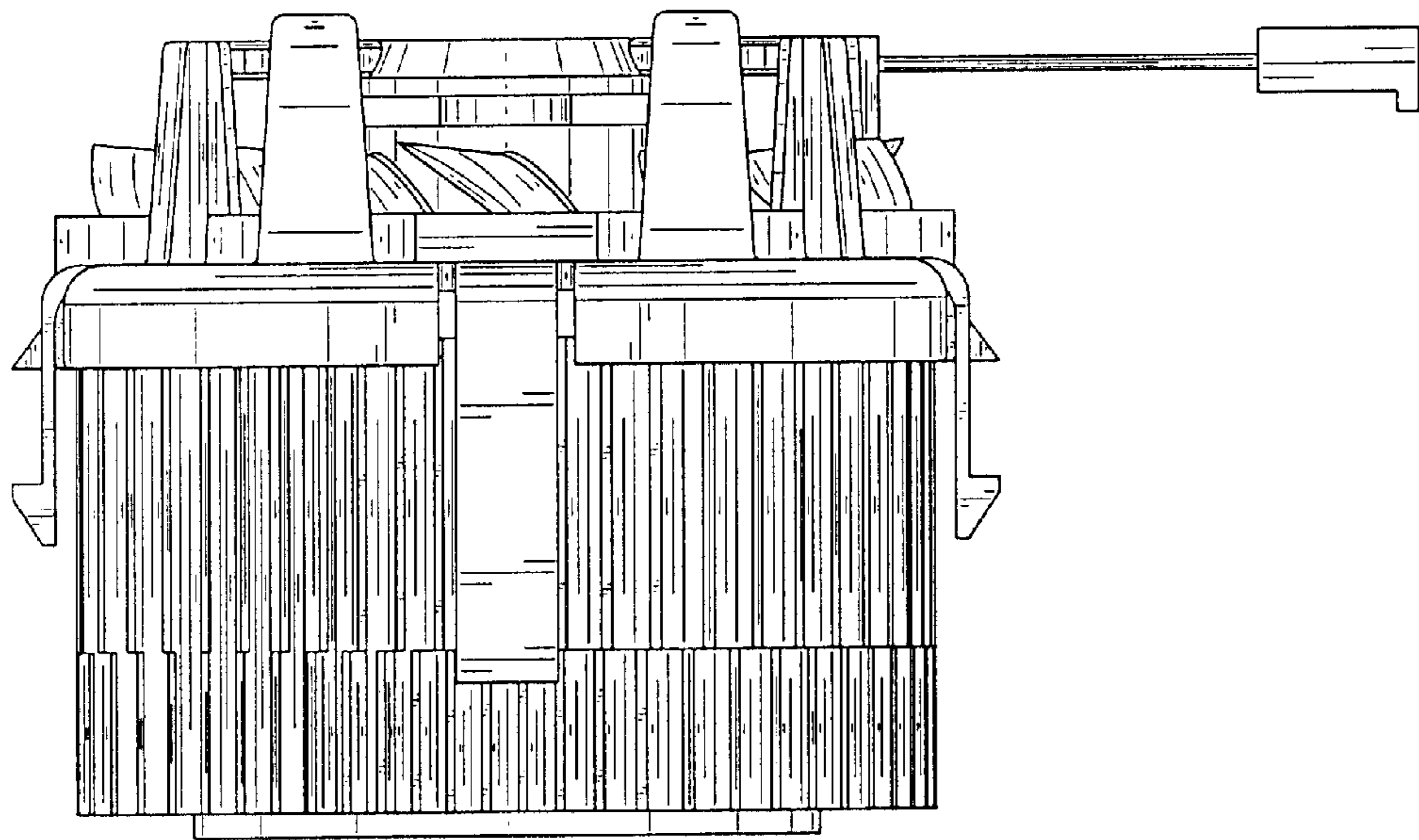


FIG. 2

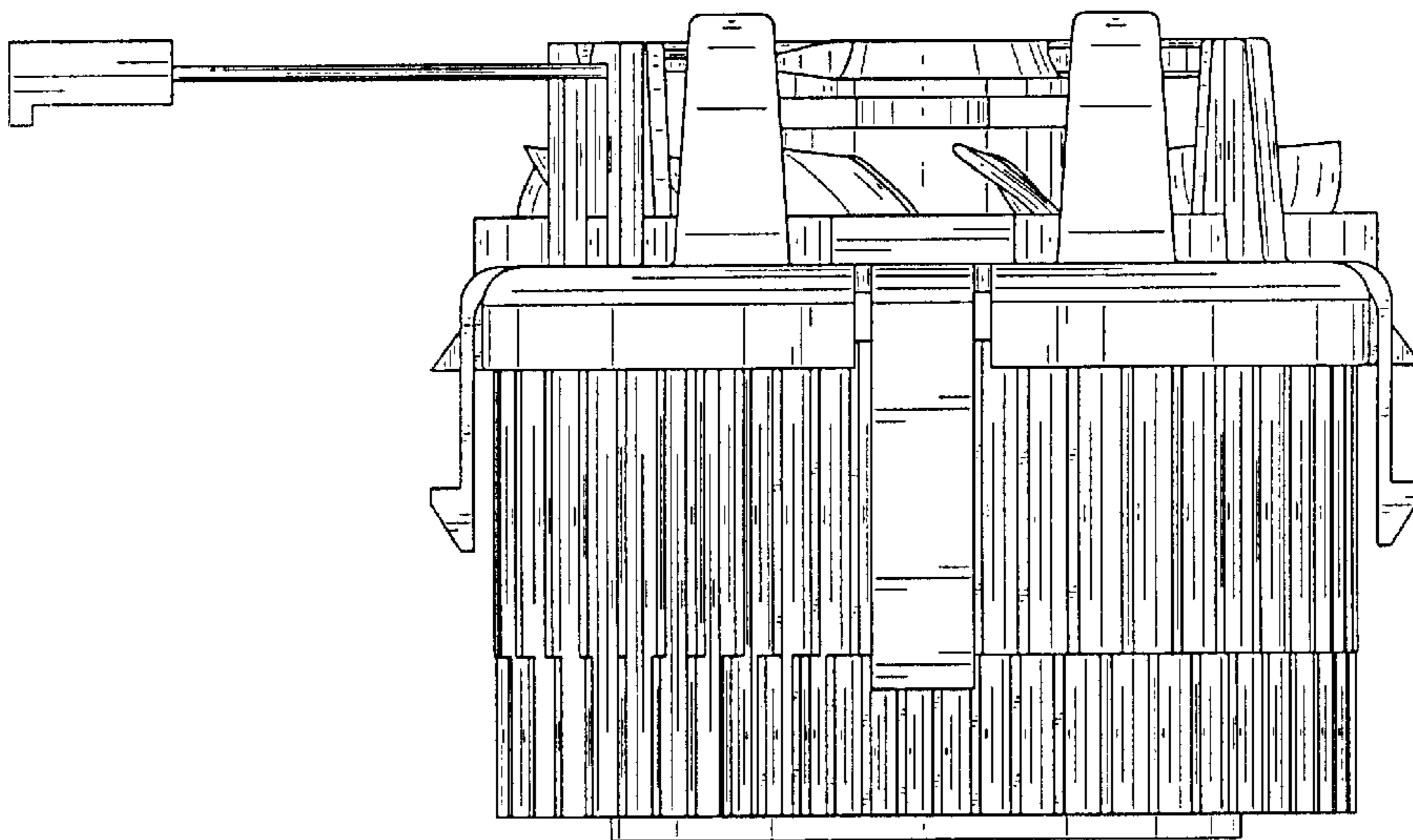


FIG. 3

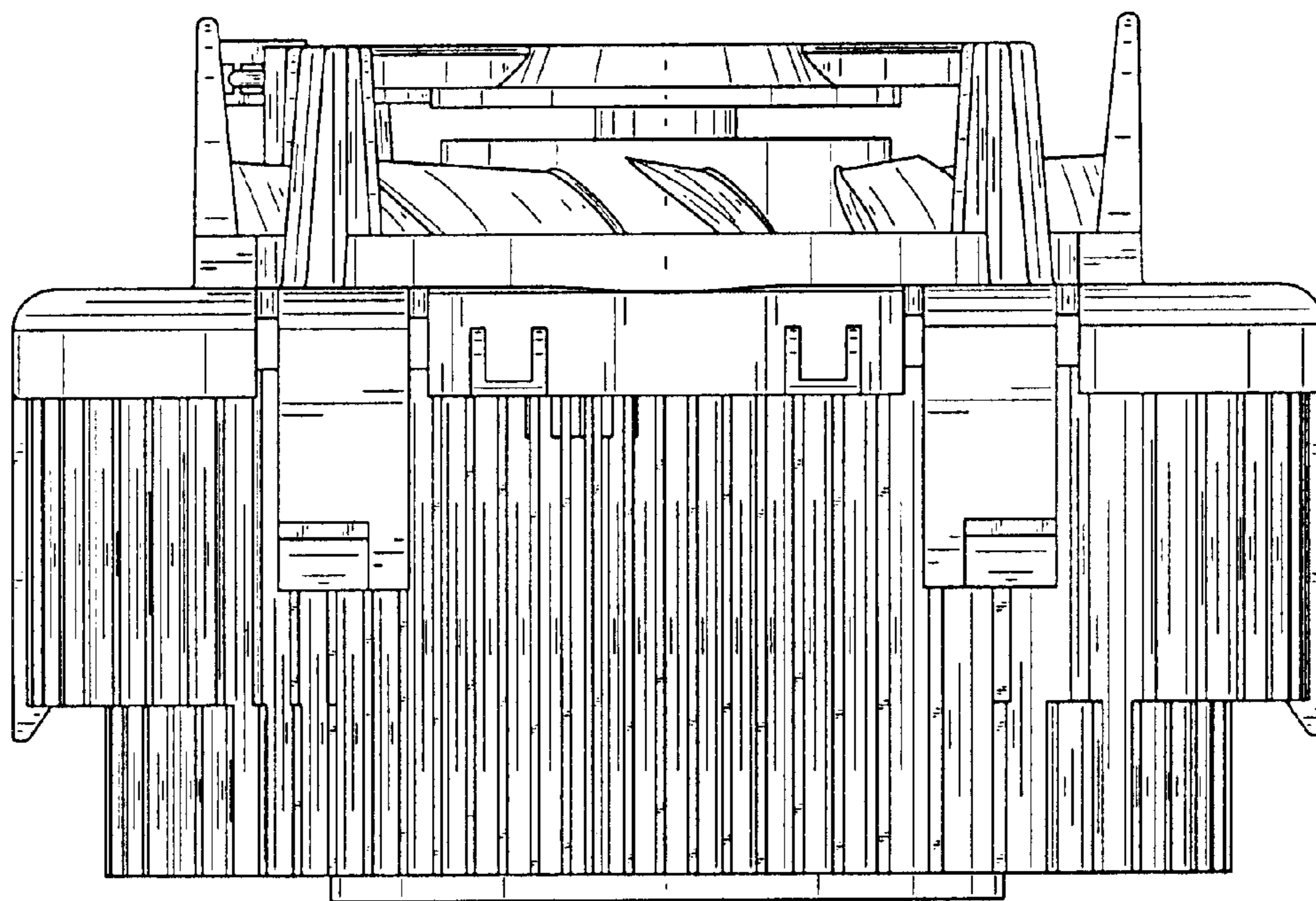


FIG. 4

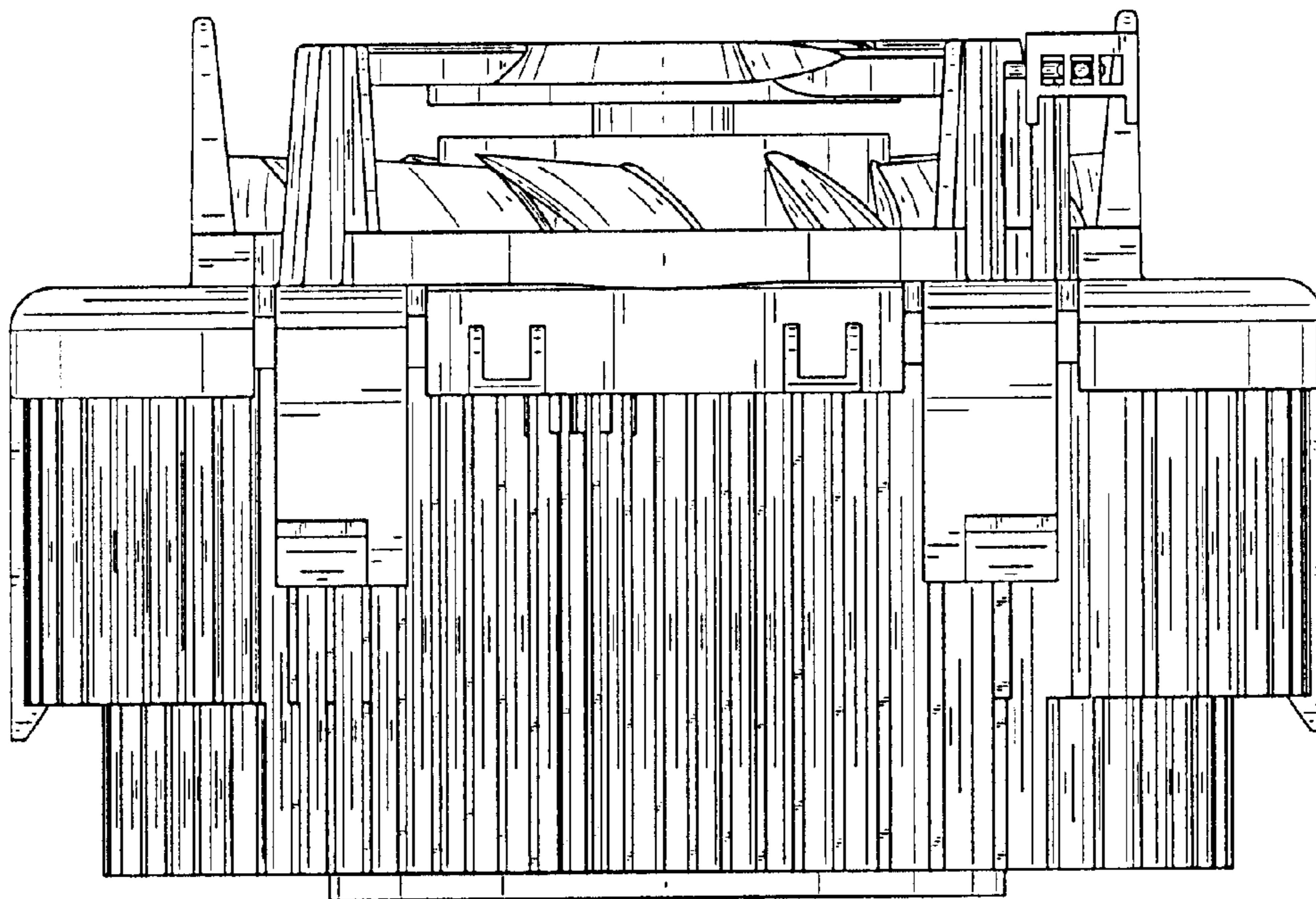


FIG. 5

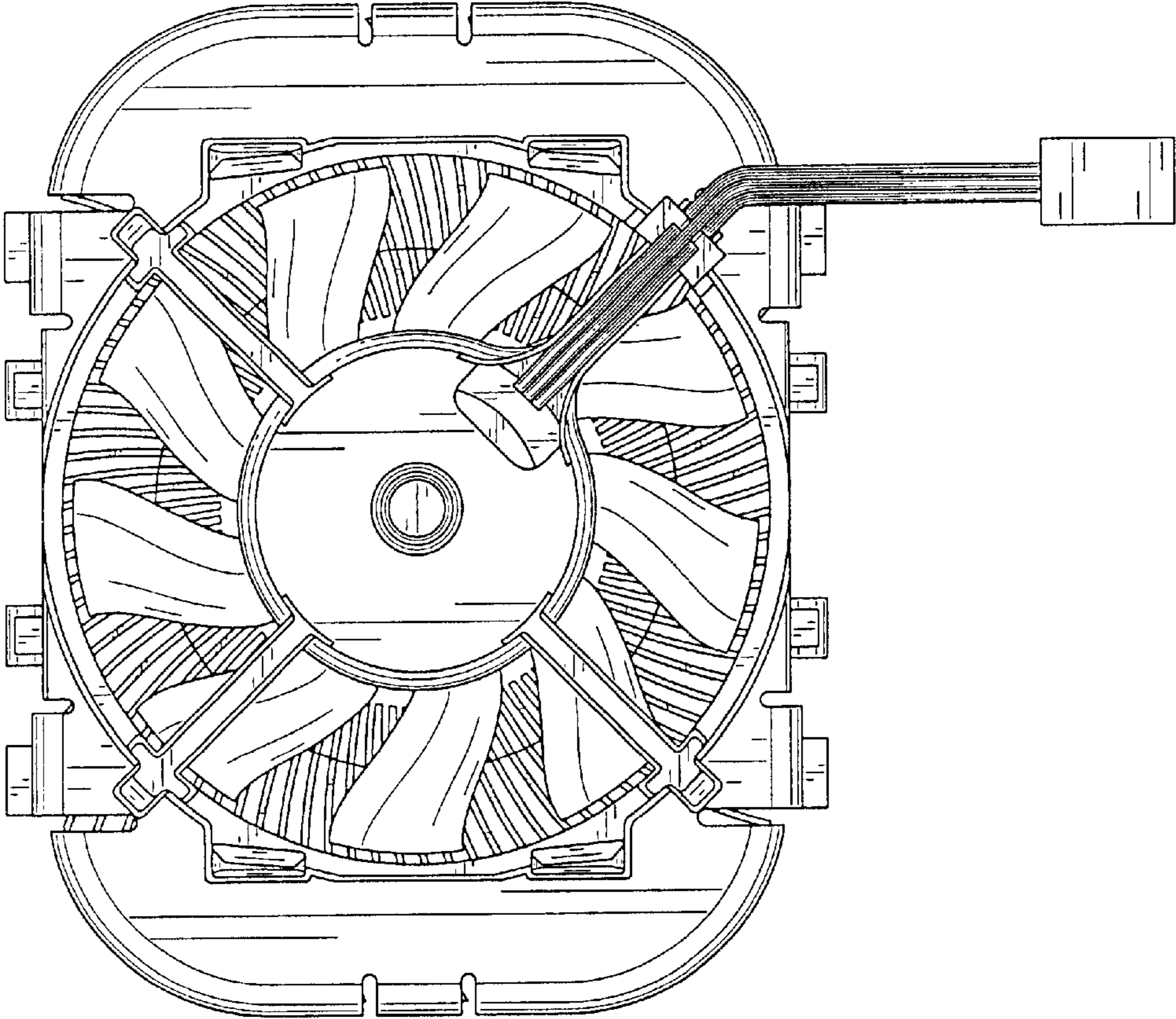


FIG. 6

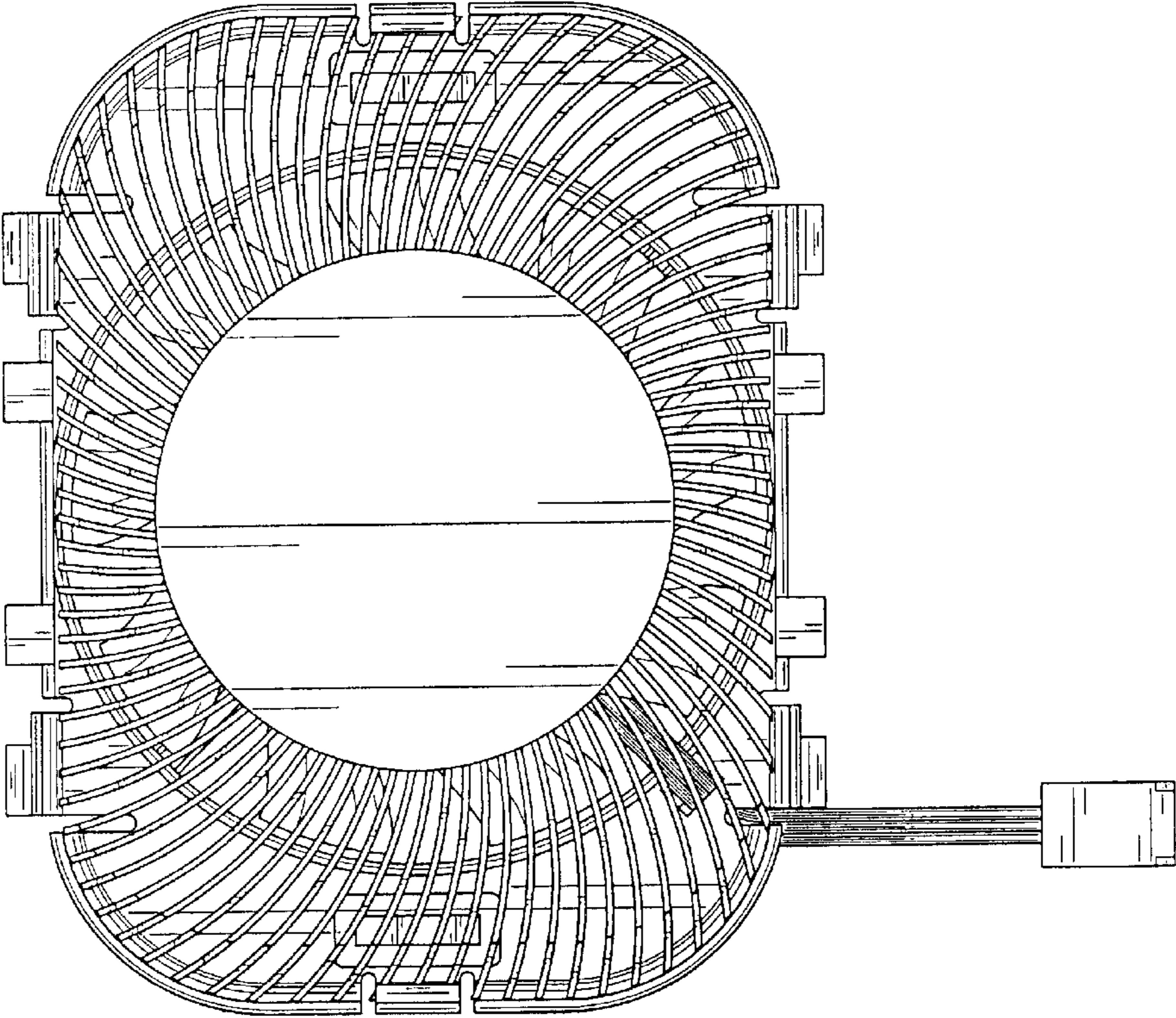


FIG. 7

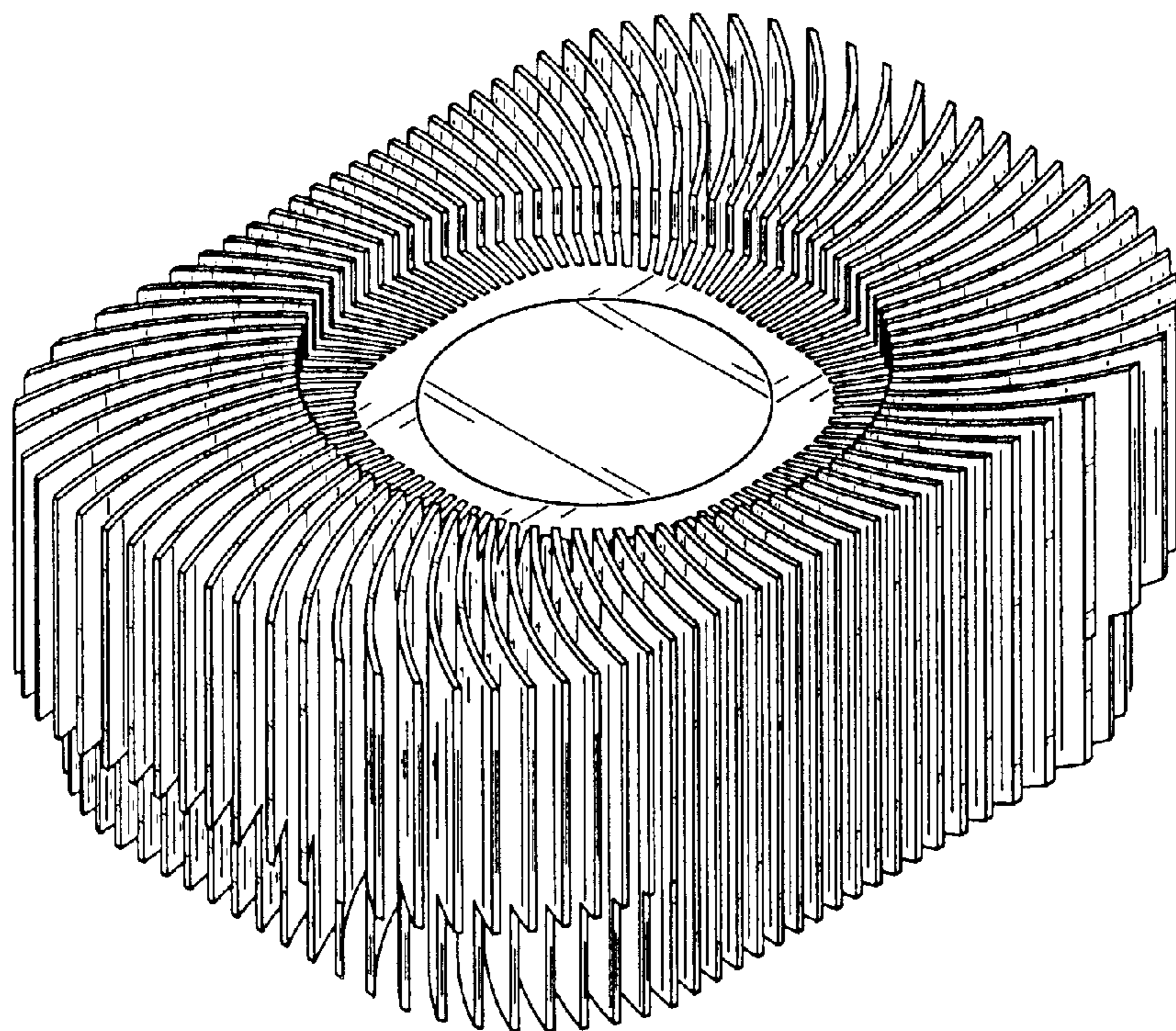
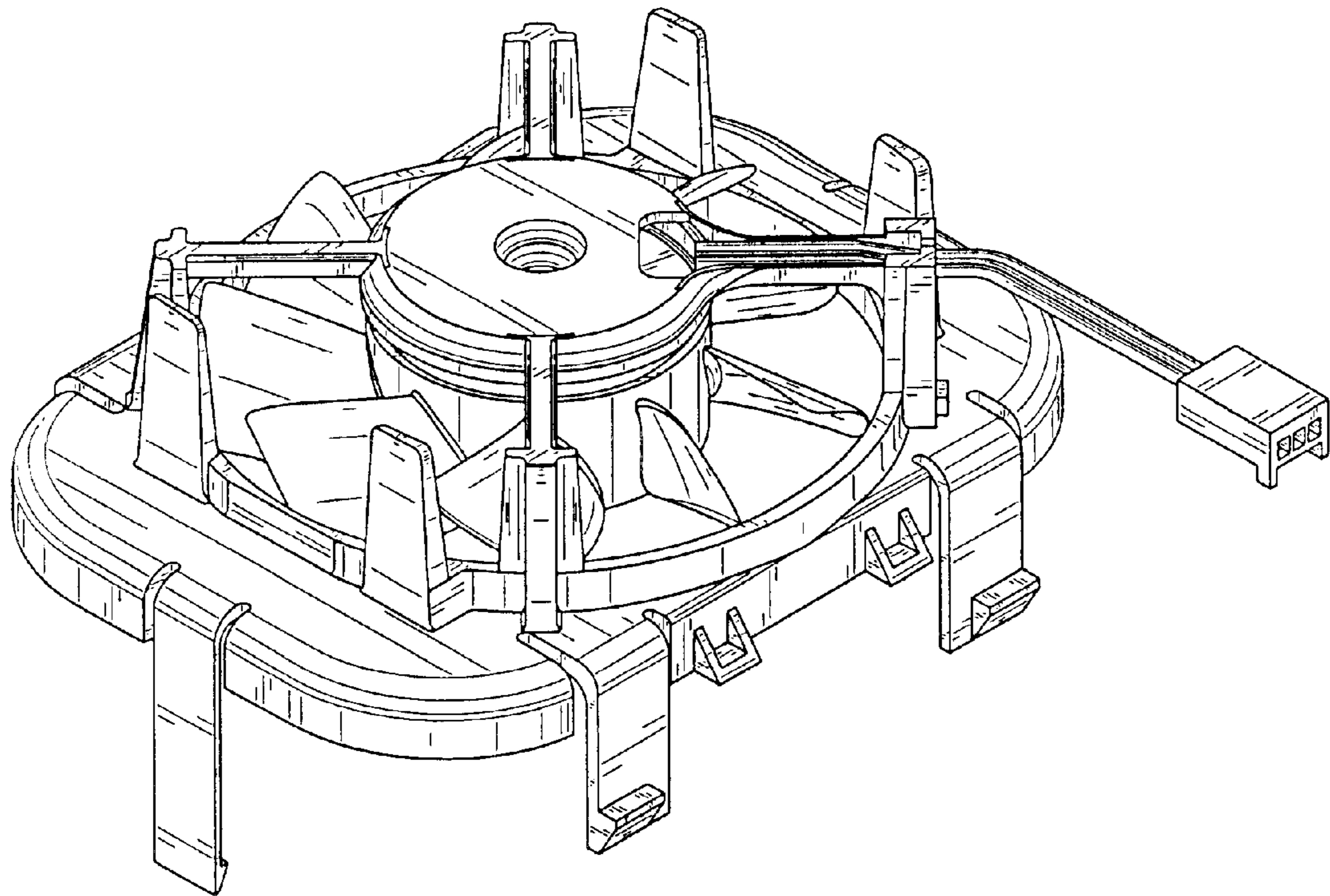


FIG. 8