

US00D509483S

(12) **United States Design Patent**
Watanabe et al.

(10) **Patent No.:** **US D509,483 S**

(45) **Date of Patent:** **** Sep. 13, 2005**

(54) **HEAT SINK**

(75) Inventors: **Michinori Watanabe**, Nagano (JP);
Toshiki Ogawara, Nagano (JP);
Masayuki Iijima, Nagano (JP);
Haruhisa Maruyama, Nagano (JP)

(73) Assignee: **Sanyo Denki Co., Ltd.**, Tokyo (JP)

(**) Term: **14 Years**

(21) Appl. No.: **29/196,214**

(22) Filed: **Dec. 23, 2003**

(30) **Foreign Application Priority Data**

Jun. 25, 2003 (JP) 2003-018123

(51) **LOC (8) Cl.** **13-03**

(52) **U.S. Cl.** **D13/179**

(58) **Field of Search** D13/179; 165/80.3,
165/121, 122, 146, 104.33, 180, 185; 174/16.3;
257/706, 707, 718-722; 361/271, 274.3,
695, 697, 700, 702, 704, 709, 710, 711,
514, 719

(56) **References Cited**

U.S. PATENT DOCUMENTS

5,597,034 A * 1/1997 Barker et al. 165/80.3
D441,724 S 5/2001 Chou et al.
D441,725 S 5/2001 Chou et al.
D442,565 S 5/2001 Chou et al.
D442,566 S 5/2001 Chou et al.

D450,306 S * 11/2001 Lin et al. D13/179
6,407,919 B1 * 6/2002 Chou 361/697
6,418,020 B1 * 7/2002 Lin 361/703
D464,939 S 10/2002 Chuang et al.
D476,958 S * 7/2003 Tsai D13/179
6,671,172 B2 * 12/2003 Carter et al. 361/697
D501,450 S * 2/2005 Watanabe et al. D13/179

* cited by examiner

Primary Examiner—Stella Reid
Assistant Examiner—Selina Sikder

(74) *Attorney, Agent, or Firm*—Rankin, Hill, Porter &
Clark LLP

(57) **CLAIM**

The ornamental design for a heat sink, as shown and described.

DESCRIPTION

FIG. 1 is a front side elevation view.
FIG. 2 is a right side elevation view.
FIG. 3 is a top plan view.
FIG. 4 is a bottom plan view; and,
FIG. 5 is a perspective view.

The rear side elevation view is omitted because it appears the same way as the front side elevation view. Likewise, the left side elevation view is omitted because it appears the same way as the right side elevation view.

The broken line showing of the environment is for illustrative purpose only and forms no part of the claimed design.

1 Claim, 5 Drawing Sheets

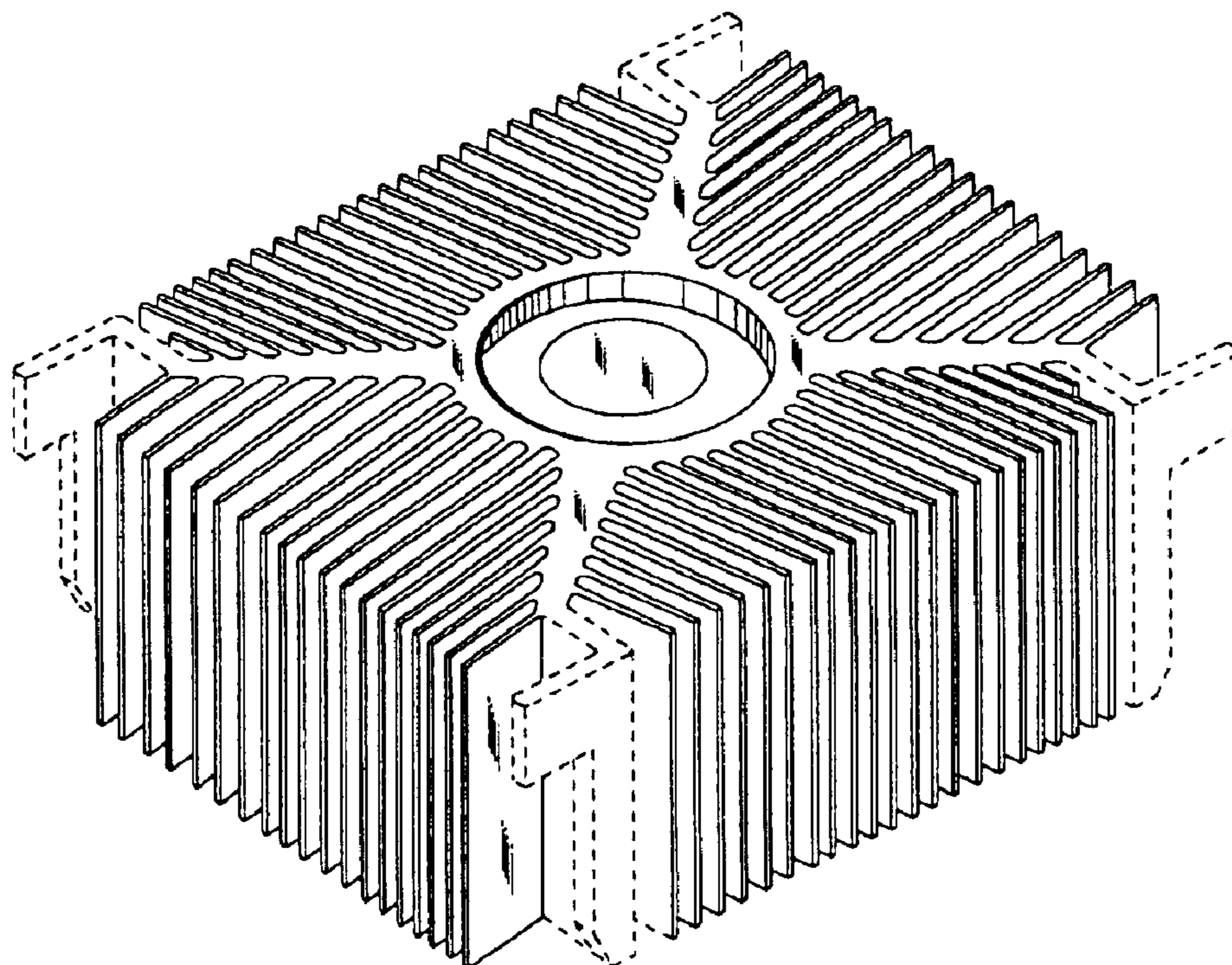


FIG. 1

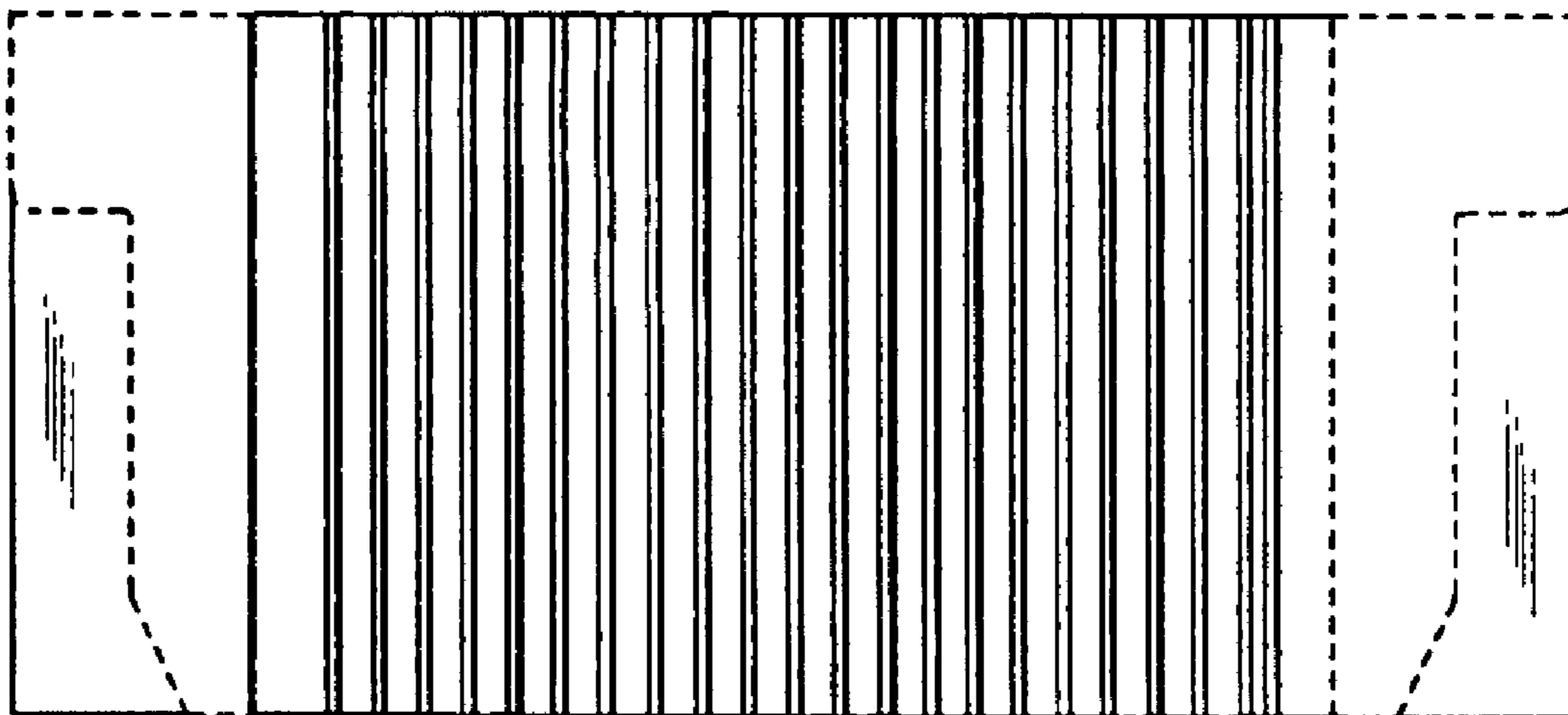


FIG. 2

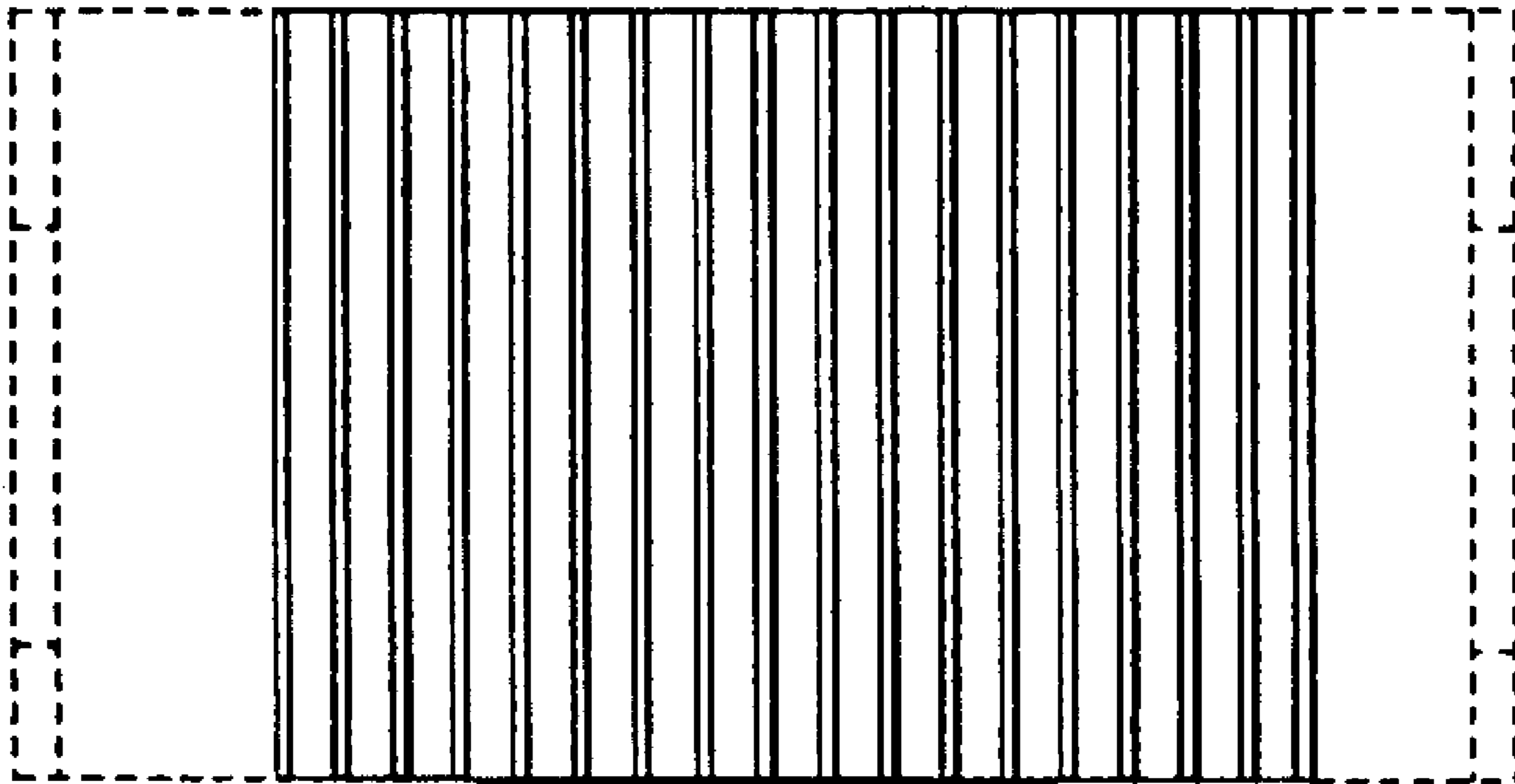


FIG.3

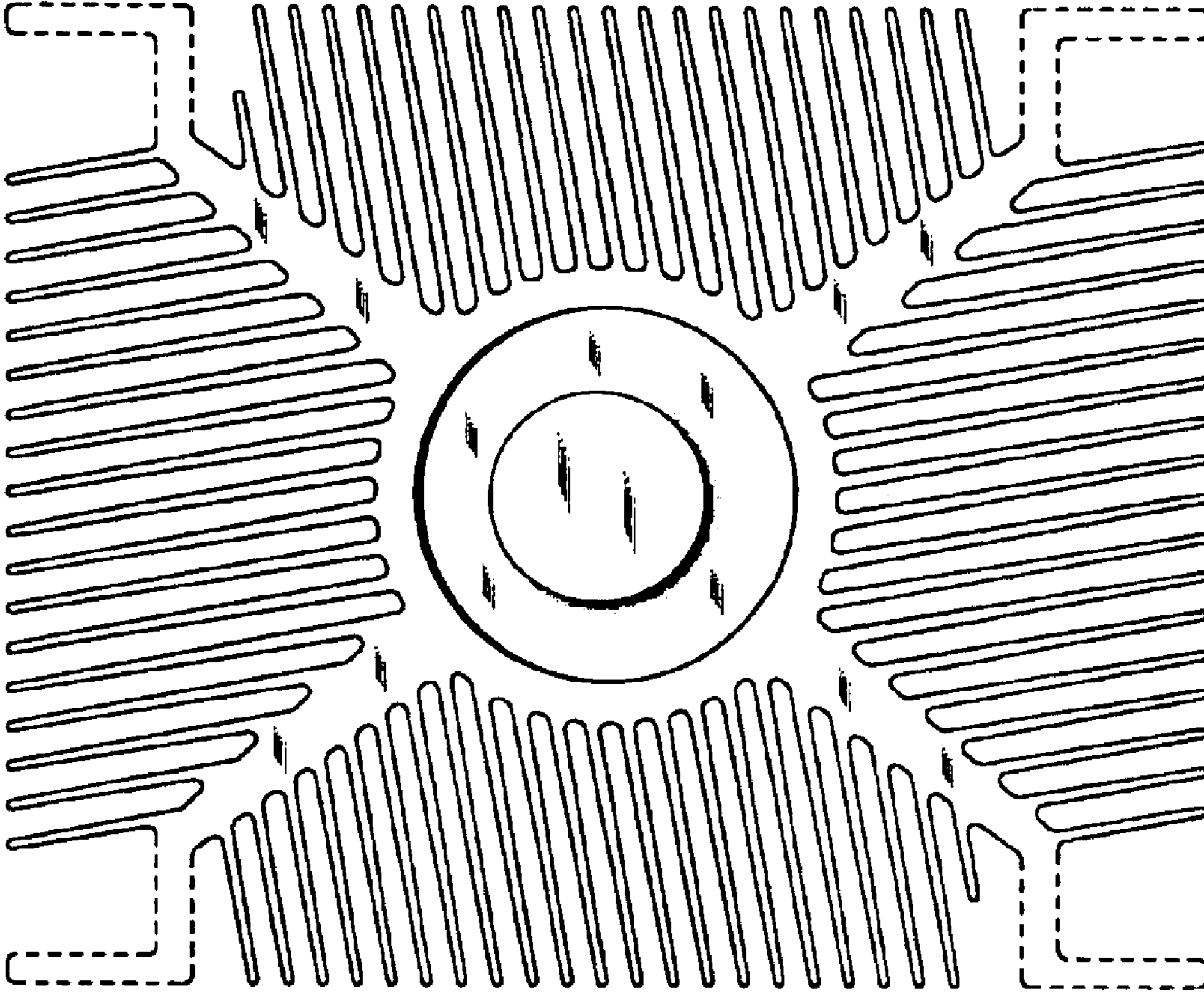


FIG.4

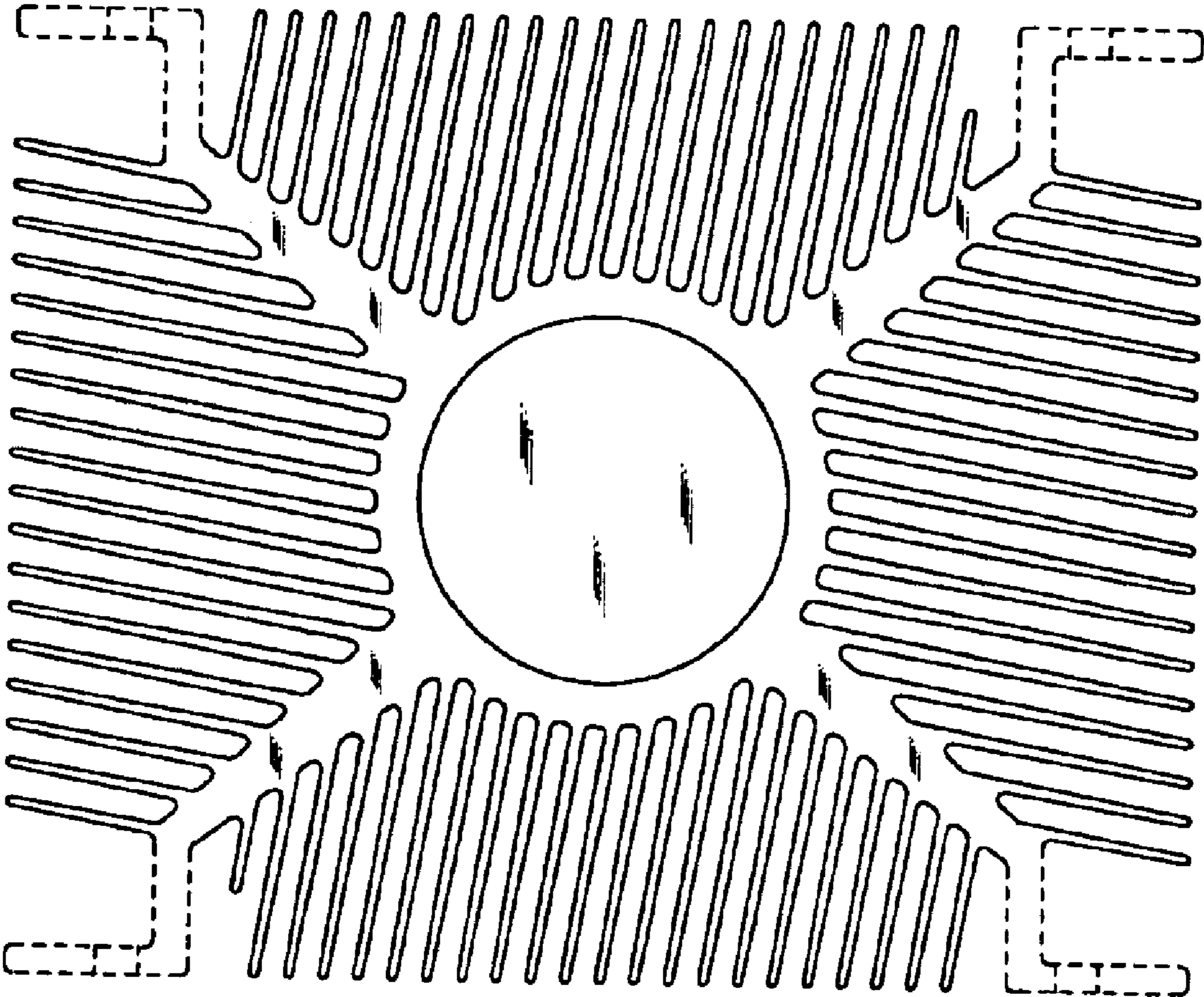


FIG.5

