

US00D509482S

(12) **United States Design Patent**  
**Huang**

(10) **Patent No.:** **US D509,482 S**

(45) **Date of Patent:** **\*\* Sep. 13, 2005**

(54) **HEAT SINK CAP**

(75) **Inventor:** **Hung-Chu Huang, Shinjuang (TW)**

(73) **Assignee:** **Datech Technology Co., Ltd., Taipei (TW)**

(\*\*) **Term:** **14 Years**

(21) **Appl. No.:** **29/180,905**

(22) **Filed:** **May 2, 2003**

(30) **Foreign Application Priority Data**

Mar. 6, 2003 (TW) ..... 92301246

(51) **LOC (8) Cl.** ..... **13-03**

(52) **U.S. Cl.** ..... **D13/179**

(58) **Field of Search** ..... D13/179; 165/80.3,  
165/121, 122, 146, 104.33, 180, 185; 174/16.3;  
257/704, 706, 718-722; 361/271, 274.3,  
695, 697, 700, 702, 704, 709, 710, 711,  
514, 719; 438/759

(56) **References Cited**

**U.S. PATENT DOCUMENTS**

4,679,118 A \* 7/1987 Johnson et al. .... 361/718

5,081,067 A \* 1/1992 Shimizu et al. .... 228/123.1  
5,295,043 A \* 3/1994 Beijer ..... 361/704  
5,981,310 A \* 11/1999 DiGiacomo et al. .... 438/106  
6,534,859 B1 \* 3/2003 Shim et al. .... 257/706  
6,784,113 B2 \* 8/2004 Hembree ..... 438/759  
2004/0070069 A1 \* 4/2004 Subramanian ..... 257/704

\* cited by examiner

*Primary Examiner*—Stella Reid

*Assistant Examiner*—Selina Sikder

(74) *Attorney, Agent, or Firm*—Troxell Law Office, PLLC

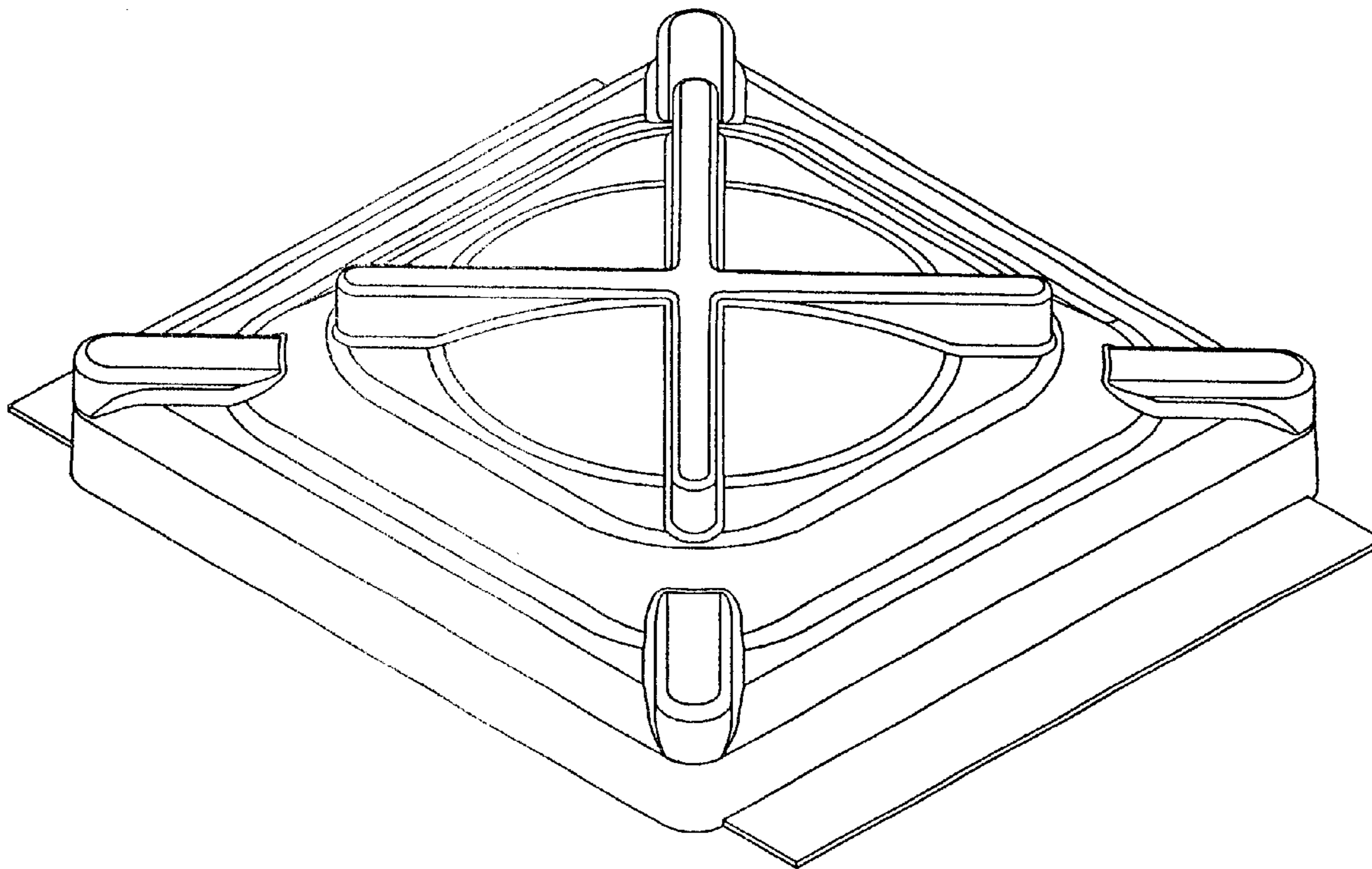
(57) **CLAIM**

The ornamental design for a heat sink cap, as shown and described.

**DESCRIPTION**

FIG. 1 is a perspective view of a heat sink cap, in accordance with the present invention;  
FIG. 2 is a front elevational view thereof;  
FIG. 3 is a rear elevational view thereof;  
FIG. 4 is a left side elevational view thereof;  
FIG. 5 is a right side elevational view thereof;  
FIG. 6 is a top plan view thereof; and,  
FIG. 7 is a bottom plan view thereof.

**1 Claim, 7 Drawing Sheets**



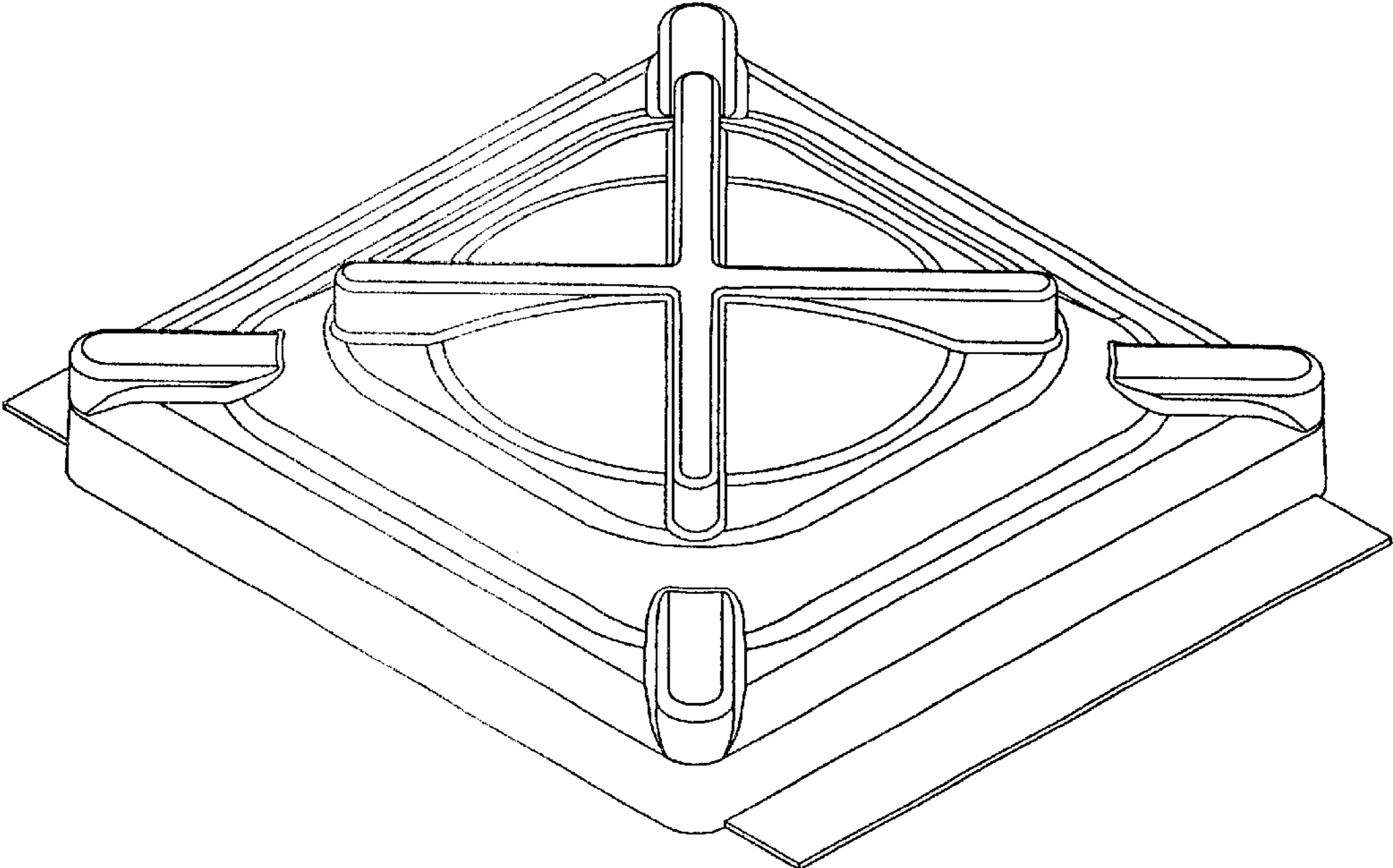


FIG. 1

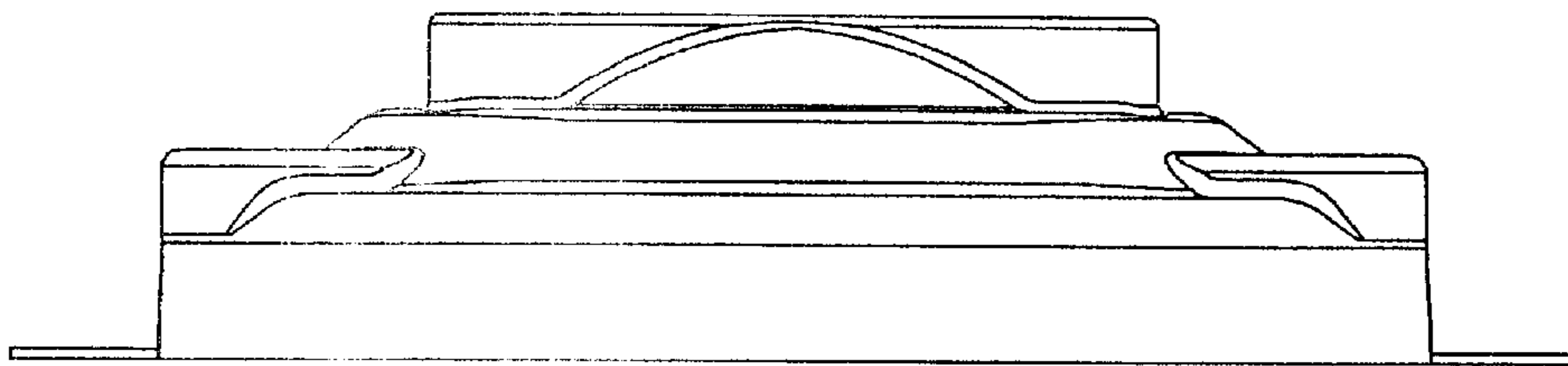


FIG. 2

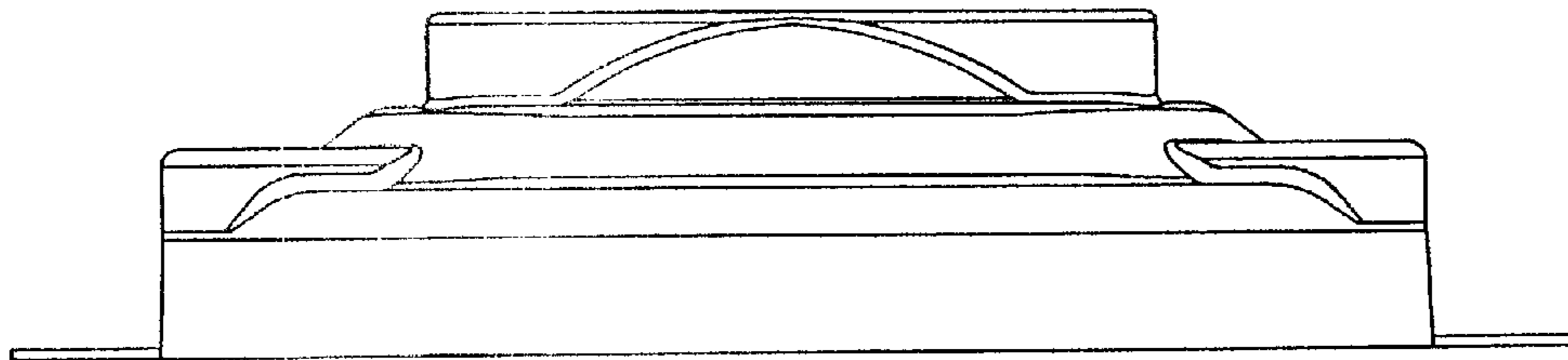


FIG. 3

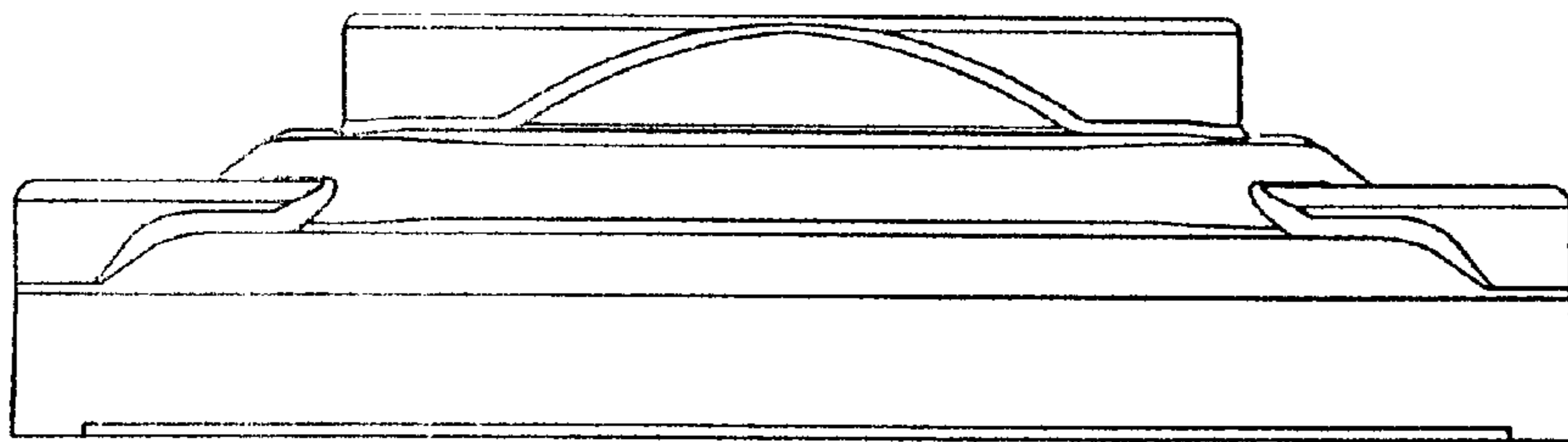


FIG. 4

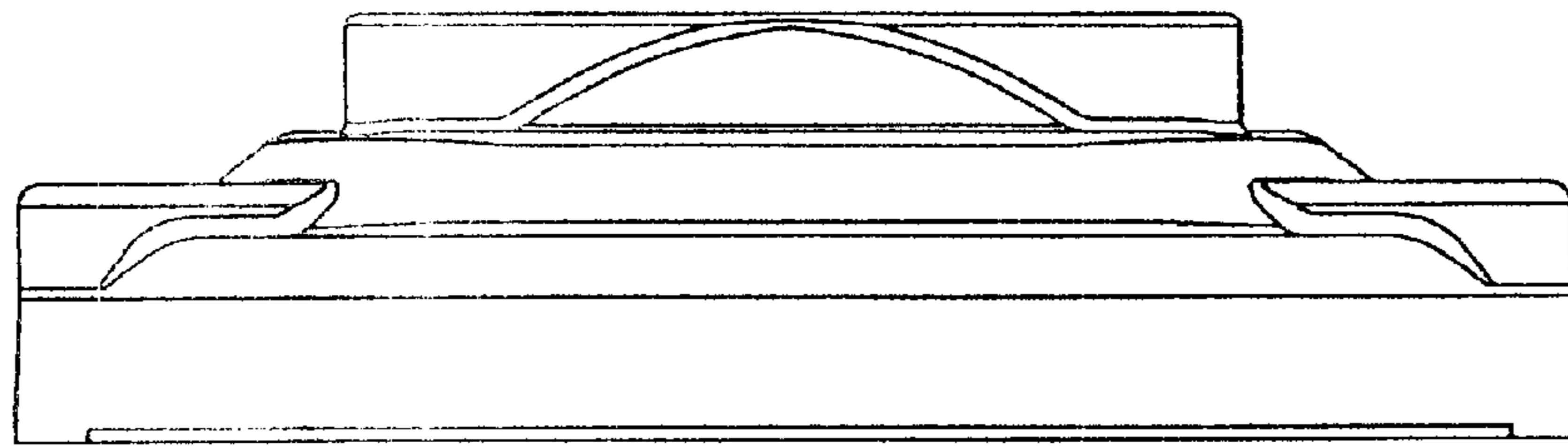


FIG. 5

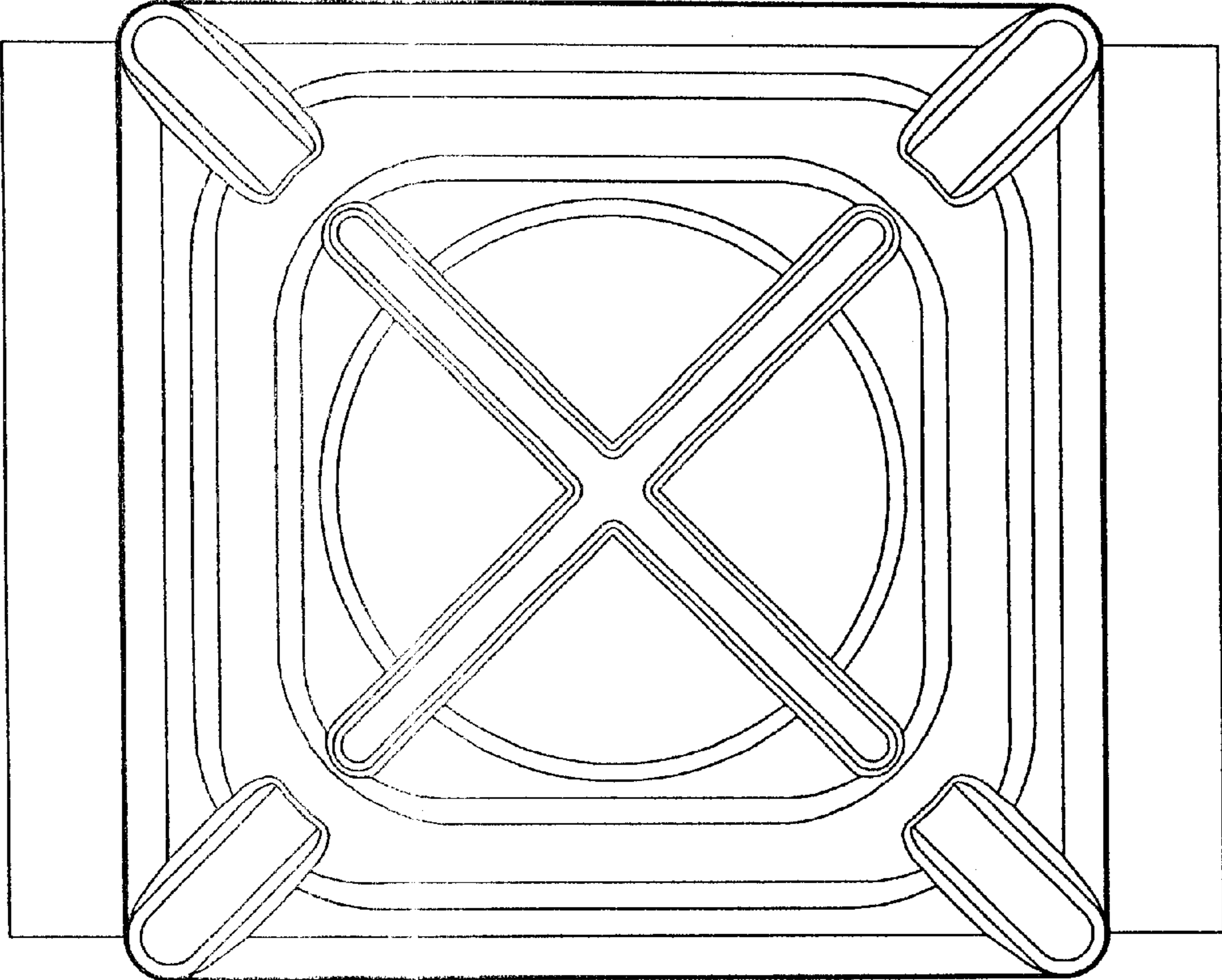


FIG. 6

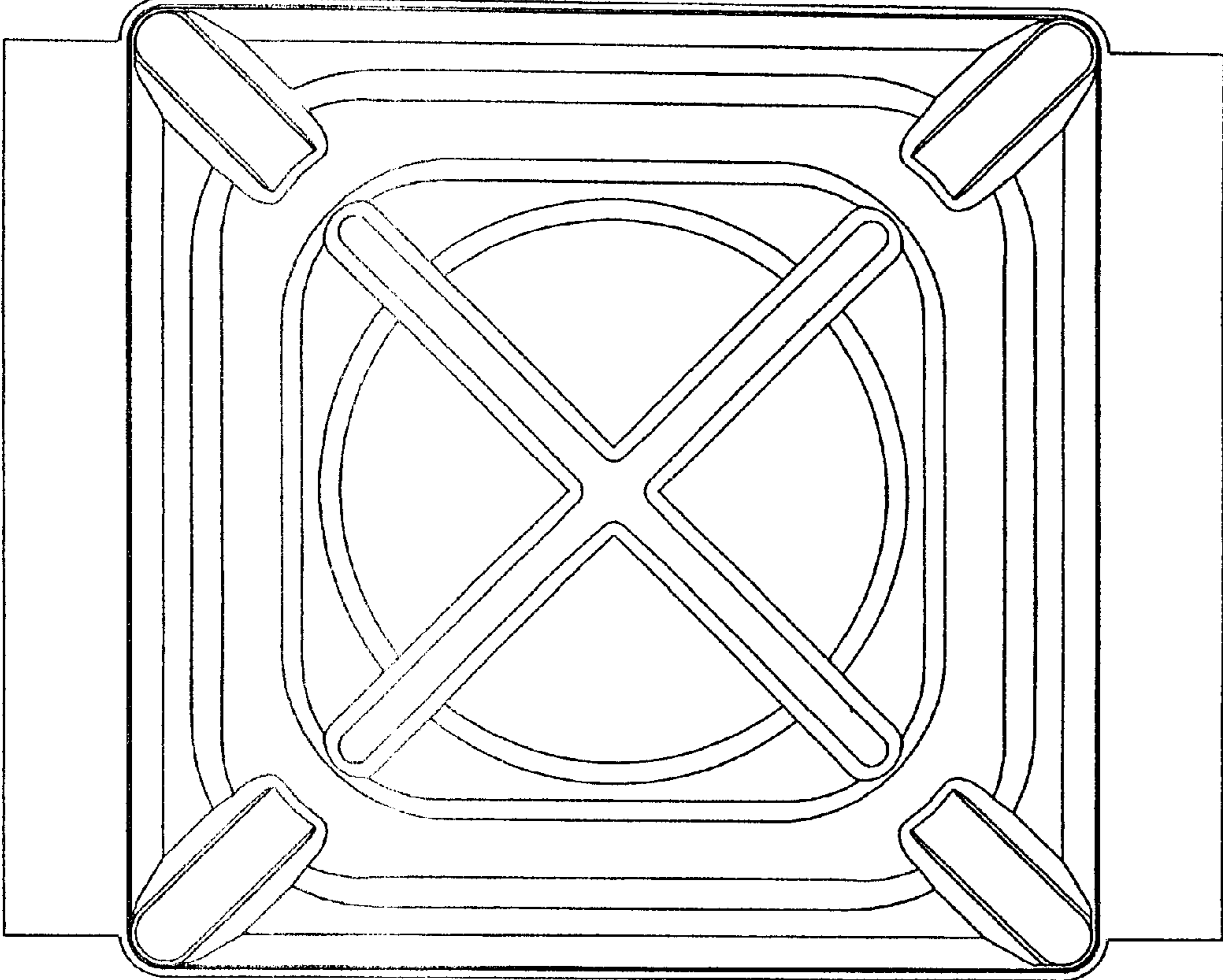


FIG. 7