

US00D509479S

(12) **United States Design Patent**  
**DePaola**

(10) **Patent No.:** **US D509,479 S**

(45) **Date of Patent:** **\*\* Sep. 13, 2005**

(54) **CABLE MANAGER**

(75) **Inventor:** **Heidi H. DePaola**, Southbury, CT (US)

(73) **Assignee:** **The Siemon Company**, Watertown, CT (US)

(\*\*) **Term:** **14 Years**

(21) **Appl. No.:** **29/207,656**

(22) **Filed:** **Jun. 15, 2004**

(51) **LOC (8) Cl.** ..... **13-03**

(52) **U.S. Cl.** ..... **D13/155**

(58) **Field of Search** ..... D13/133, 146,  
D13/147, 154, 155; 174/72 A, 68.3, 101;  
248/68.1; D8/356

(56) **References Cited**

**U.S. PATENT DOCUMENTS**

3,906,146 A \* 9/1975 Taylor ..... 174/72 A  
5,086,195 A \* 2/1992 Claisse ..... 174/101  
D404,364 S \* 1/1999 Viklund et al. .... D13/155  
6,437,243 B1 \* 8/2002 VanderVelde et al. .... 174/68.3

D463,253 S \* 9/2002 Canty ..... D8/356  
D468,700 S \* 1/2003 Dagley et al. .... D13/155  
6,734,358 B2 \* 5/2004 Denne et al. .... 174/68.1

\* cited by examiner

*Primary Examiner*—Holly Baynham

*Assistant Examiner*—Cynthia M. Chin

(74) *Attorney, Agent, or Firm*—Cantor Colburn LLP

(57) **CLAIM**

The ornamental design for a cable manager, as shown and described.

**DESCRIPTION**

FIG. 1 is a top view of a cable manager, showing my new design;

FIG. 2 is a bottom view thereof;

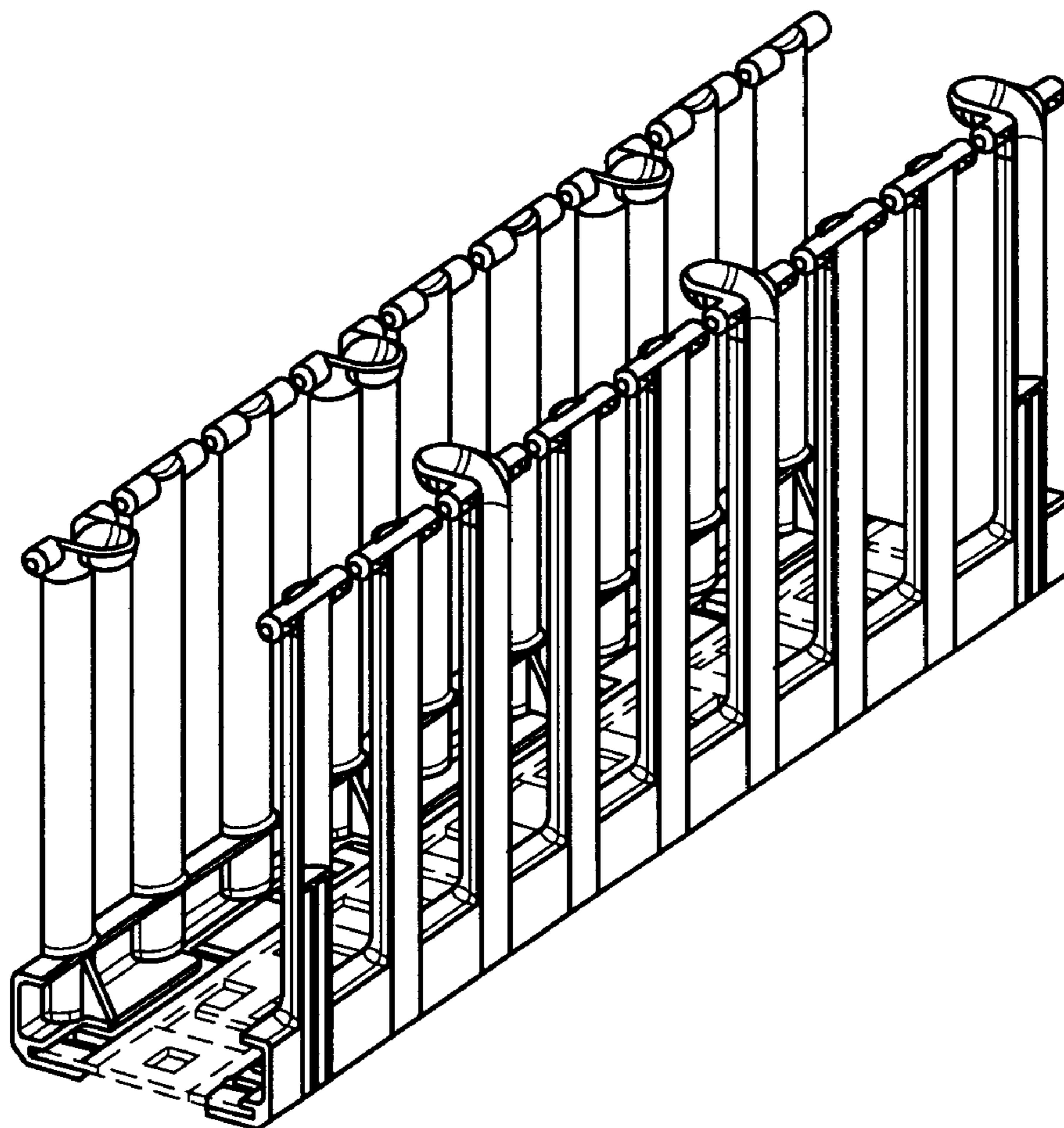
FIG. 3 is a front view thereof; the back being a mirror image;

FIG. 4 is a right side view thereof; the left being a mirror image; and,

FIG. 5 is a perspective view thereof.

The broken lines are for illustrative purposes only and form no part of the claimed design.

**1 Claim, 5 Drawing Sheets**



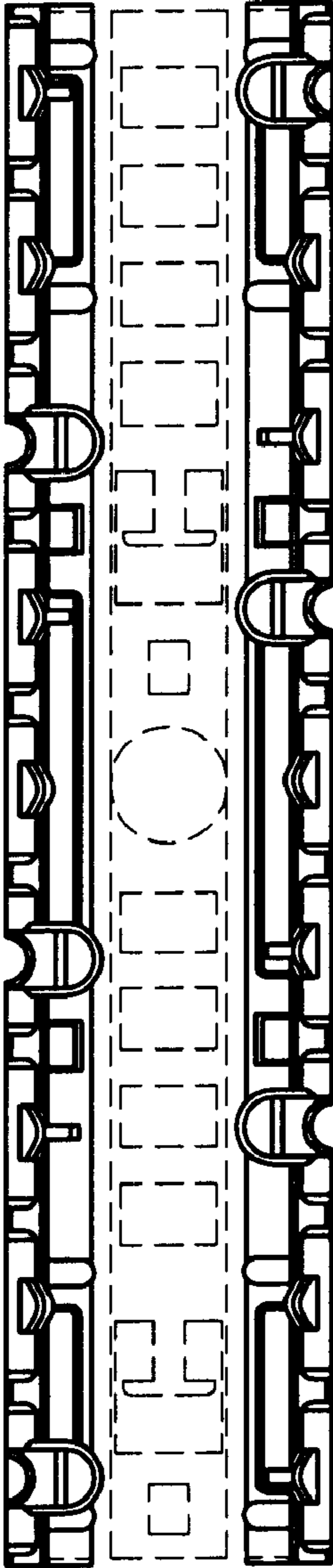


FIG. 1

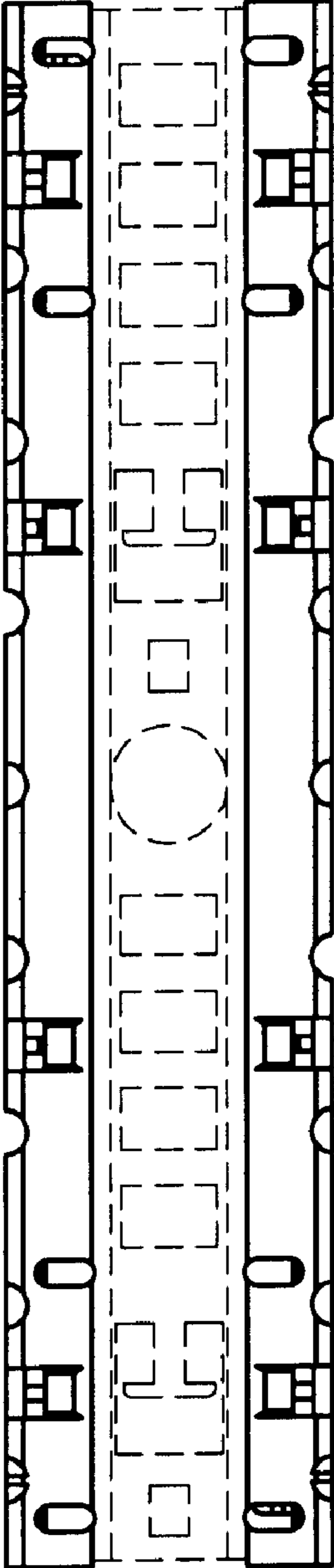
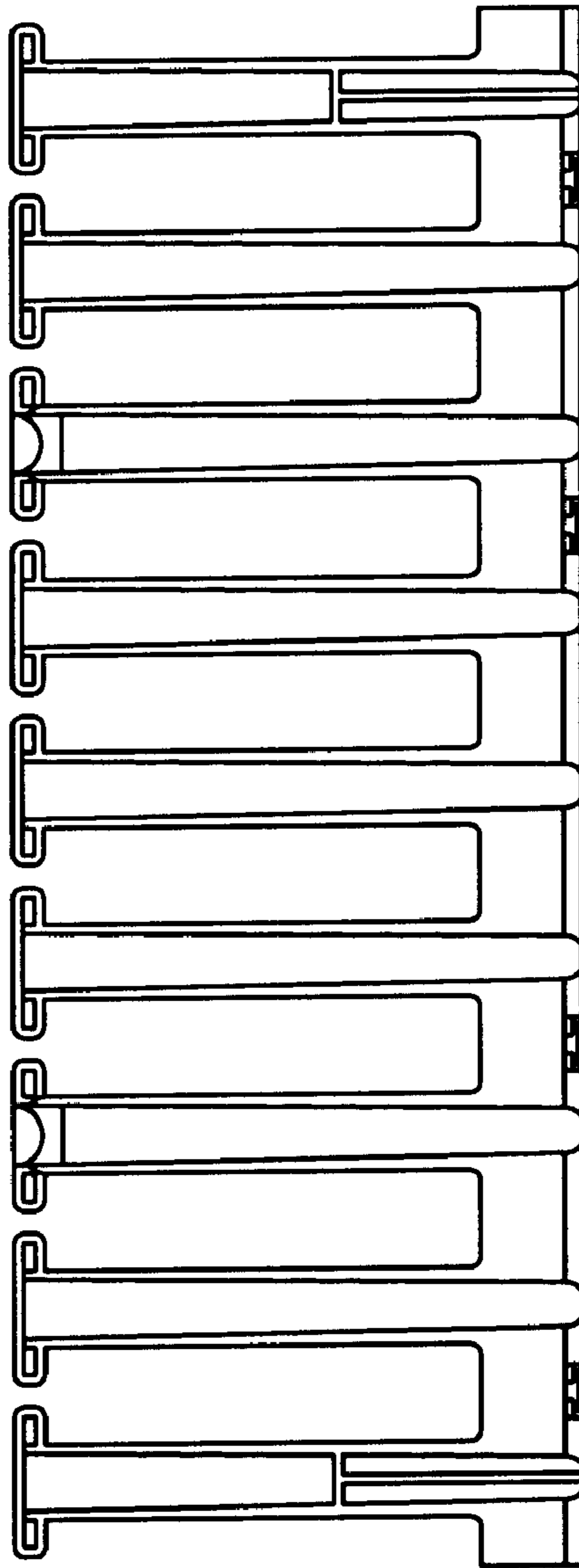
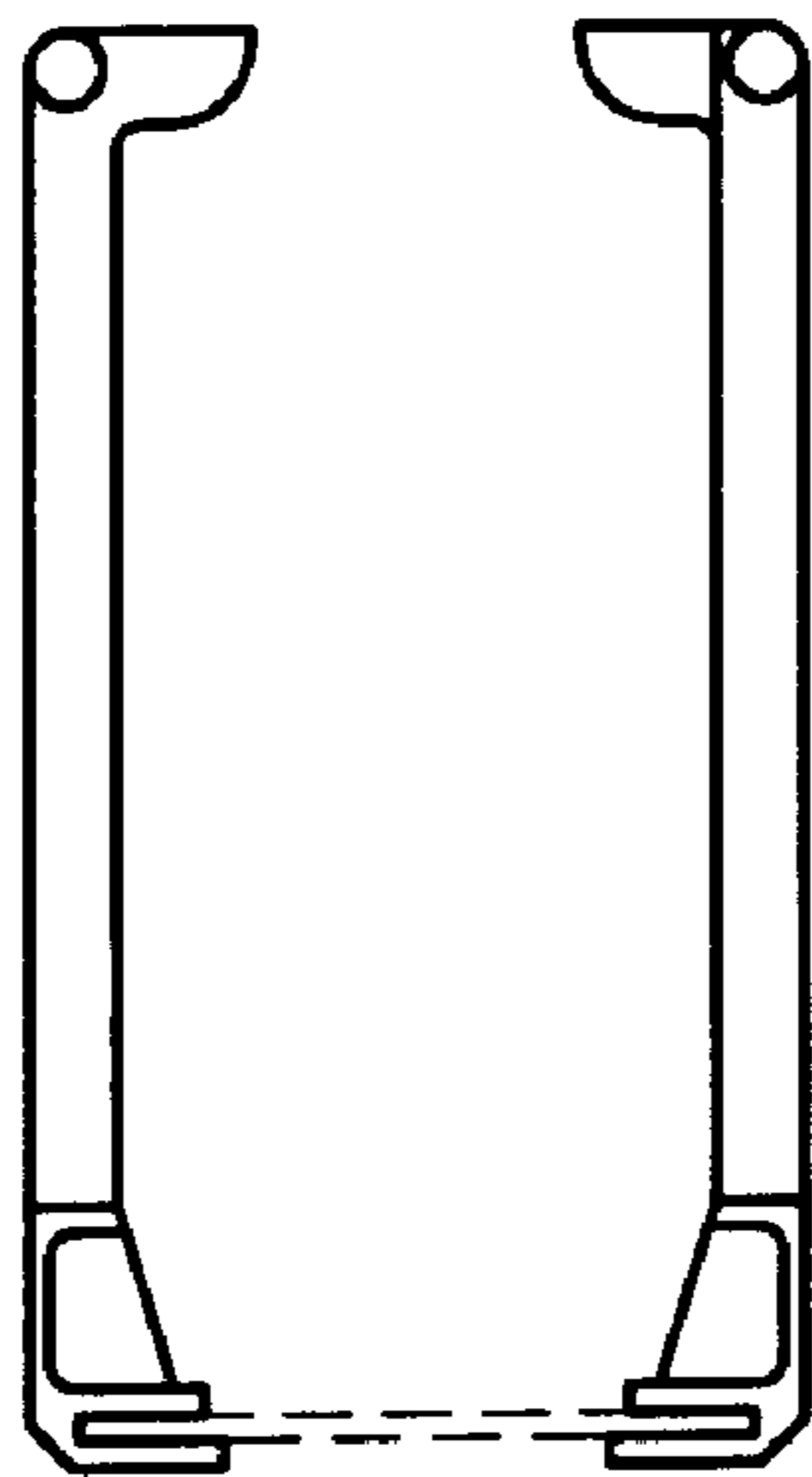


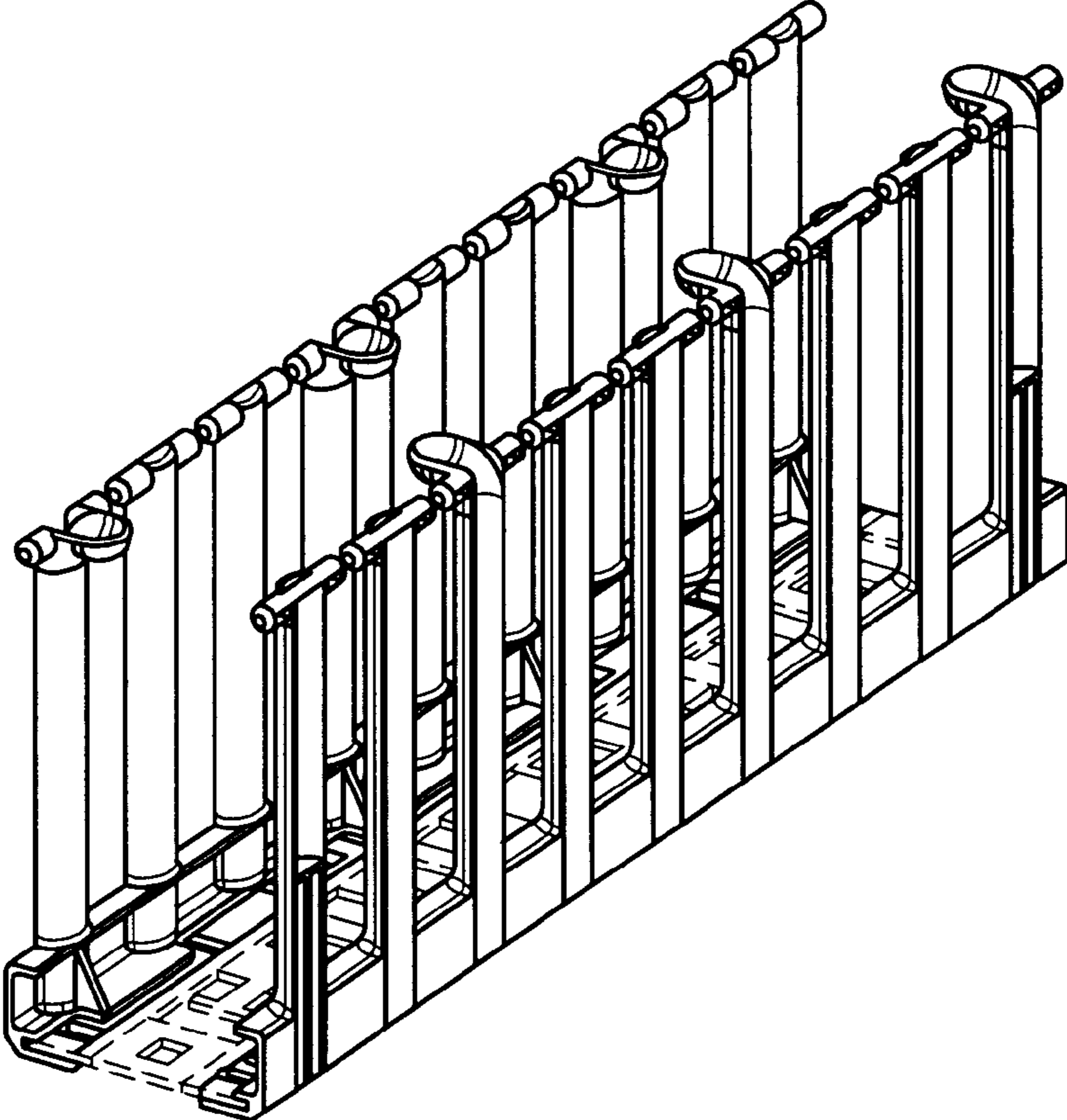
FIG. 2



*FIG. 3*



*FIG. 4*



*FIG. 5*