

US00D509478S

(12) **United States Design Patent**
Montena

(10) **Patent No.: US D509,478 S**

(45) **Date of Patent: ** *Sep. 13, 2005**

(54) **CO-AXIAL CABLE CONNECTOR**
(75) **Inventor: Noah P. Montena, Syracuse, NY (US)**
(73) **Assignee: John Mezzalingua Associates, Inc., East Syracuse, NY (US)**

5,242,316 A * 9/1993 Gartzke et al. 439/584
5,266,740 A * 11/1993 Hsu 174/72 C
D349,685 S * 8/1994 Yair D13/133
5,480,325 A * 1/1996 Tran et al. 439/578
5,800,211 A * 9/1998 Stabile et al. 439/578
D458,904 S * 6/2002 Montena D13/154

(*) **Notice:** This patent is subject to a terminal disclaimer.

* cited by examiner

(**) **Term: 14 Years**

Primary Examiner—Holly Baynham

Assistant Examiner—Cynthia M. Chin

(74) *Attorney, Agent, or Firm*—Schmeiser, Olsen & Watts

(21) **Appl. No.: 29/209,444**

(57) **CLAIM**

(22) **Filed: Jul. 16, 2004**

The ornamental design for a co-axial cable connector, as shown and described.

(51) **LOC (8) Cl. 13-03**

DESCRIPTION

(52) **U.S. Cl. D13/154**

(58) **Field of Search** D13/146, 154,
D13/133; 439/578, 580, 583–585, 174,
175

FIG. 1 is a perspective view of a co-axial cable connector showing my new design;

FIG. 2 is a side elevational view thereof, the other side, top plan and bottom plan views being mirror images;

FIG. 3 is an end elevational view thereof, showing an end on the left side of FIG. 1; and,

FIG. 4 is an end elevational view thereof, showing an end on the right side of FIG. 1.

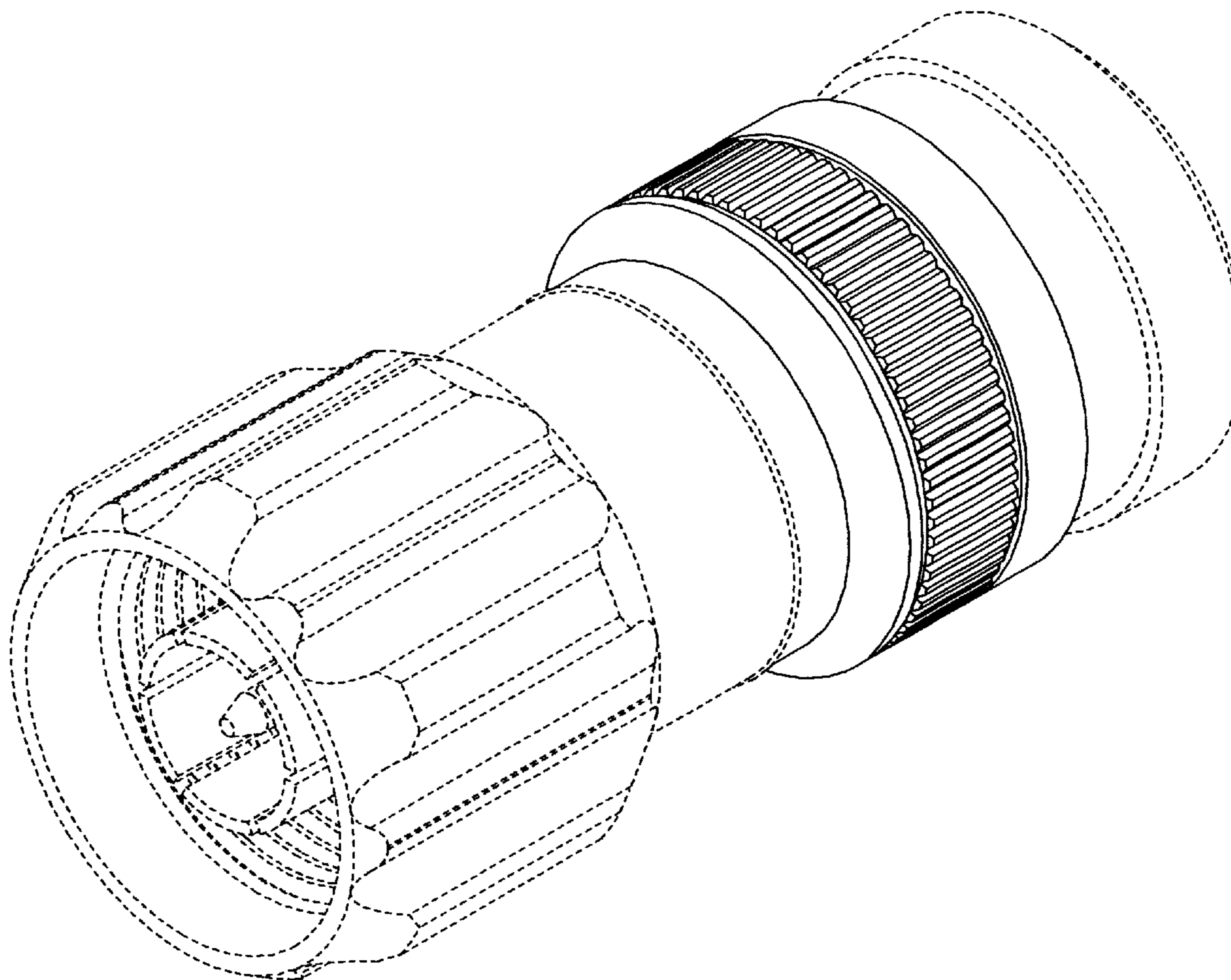
The broken lines depict environmental structure and form no part of the claimed design.

(56) **References Cited**

U.S. PATENT DOCUMENTS

3,150,247 A * 9/1964 White 200/504
3,290,640 A * 12/1966 Forney, Jr. 439/198
4,019,802 A * 4/1977 Shannon et al. 439/585
4,307,926 A * 12/1981 Smith 439/610
4,799,902 A * 1/1989 Laudig et al. 439/585

1 Claim, 4 Drawing Sheets



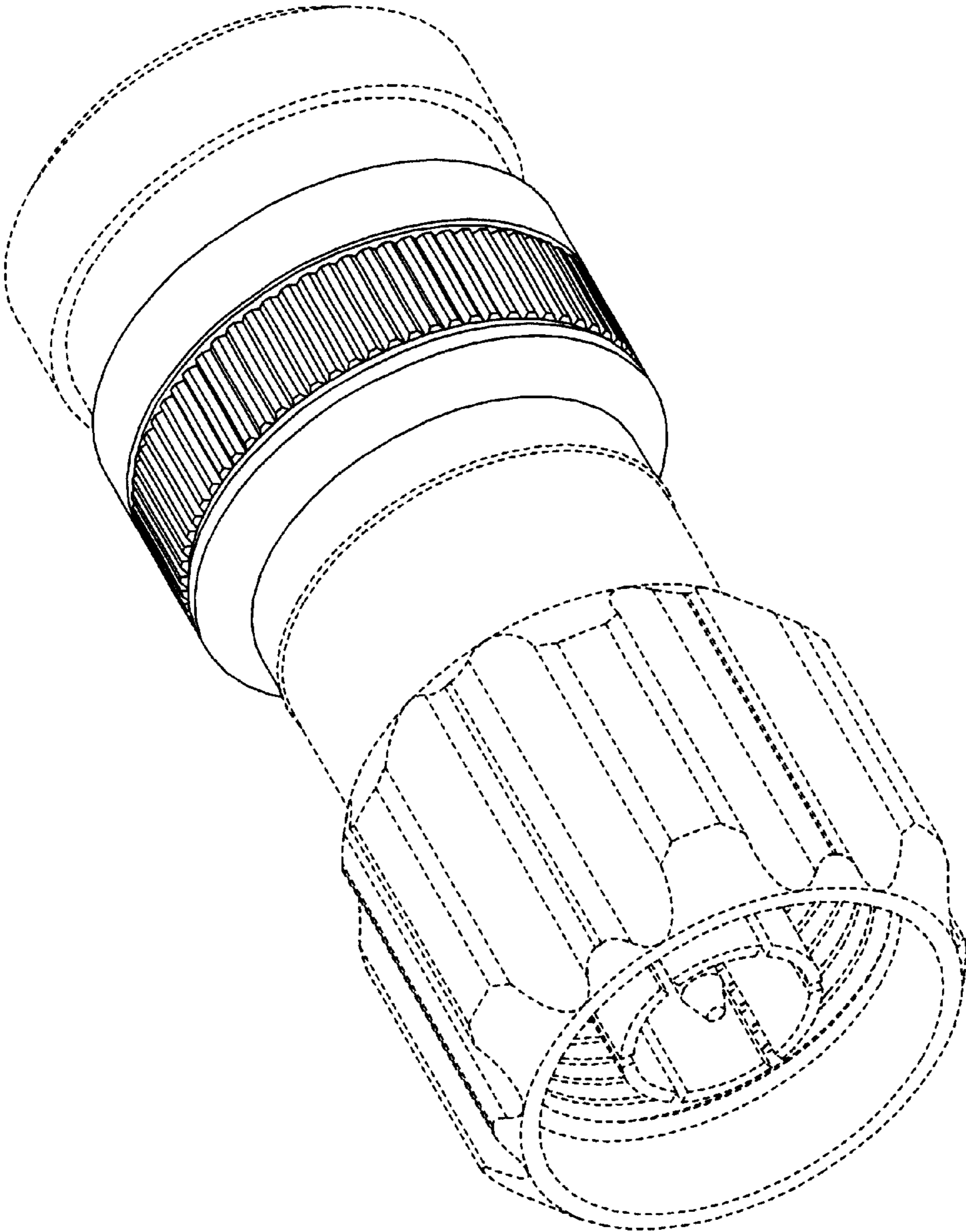


FIG. 1

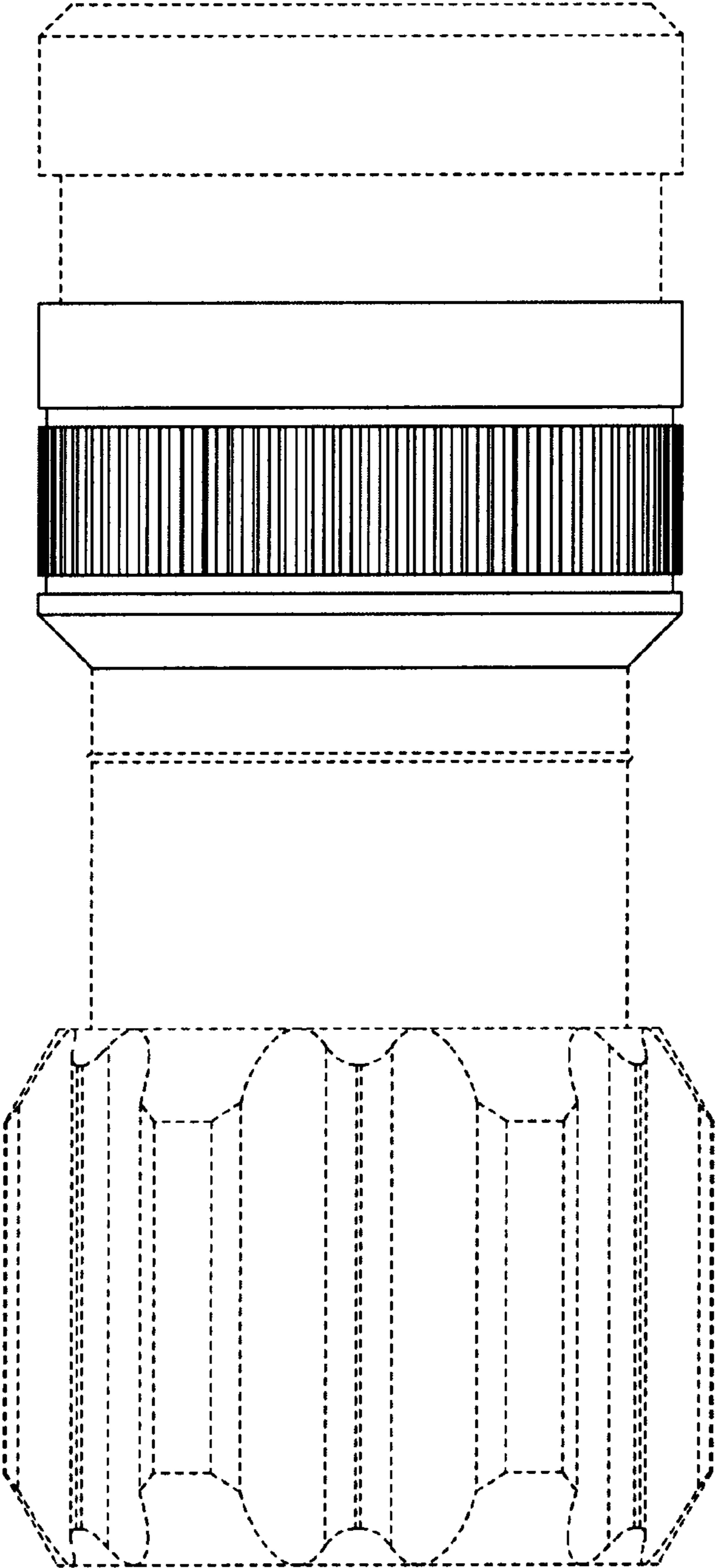


FIG. 2

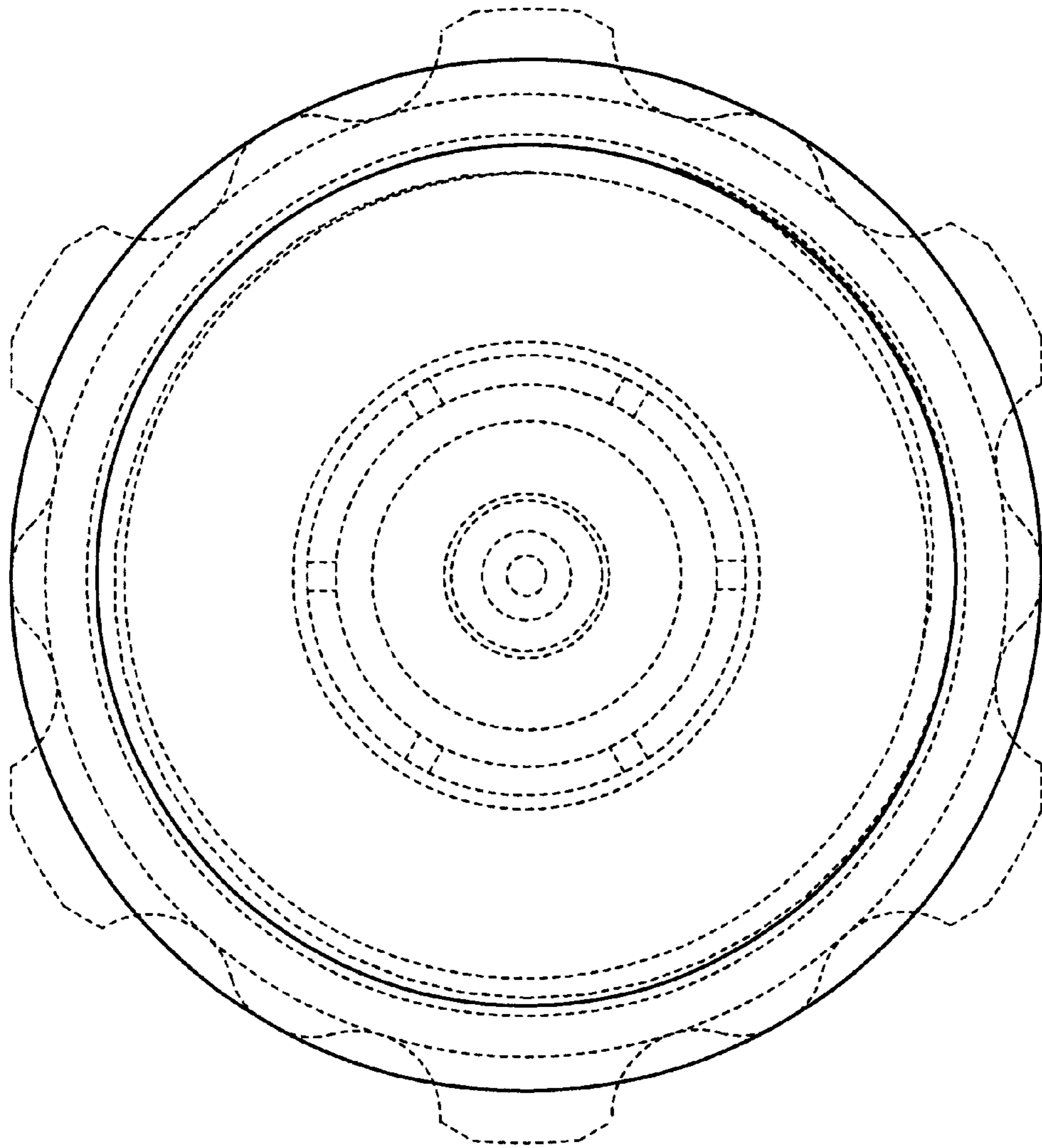


FIG. 3

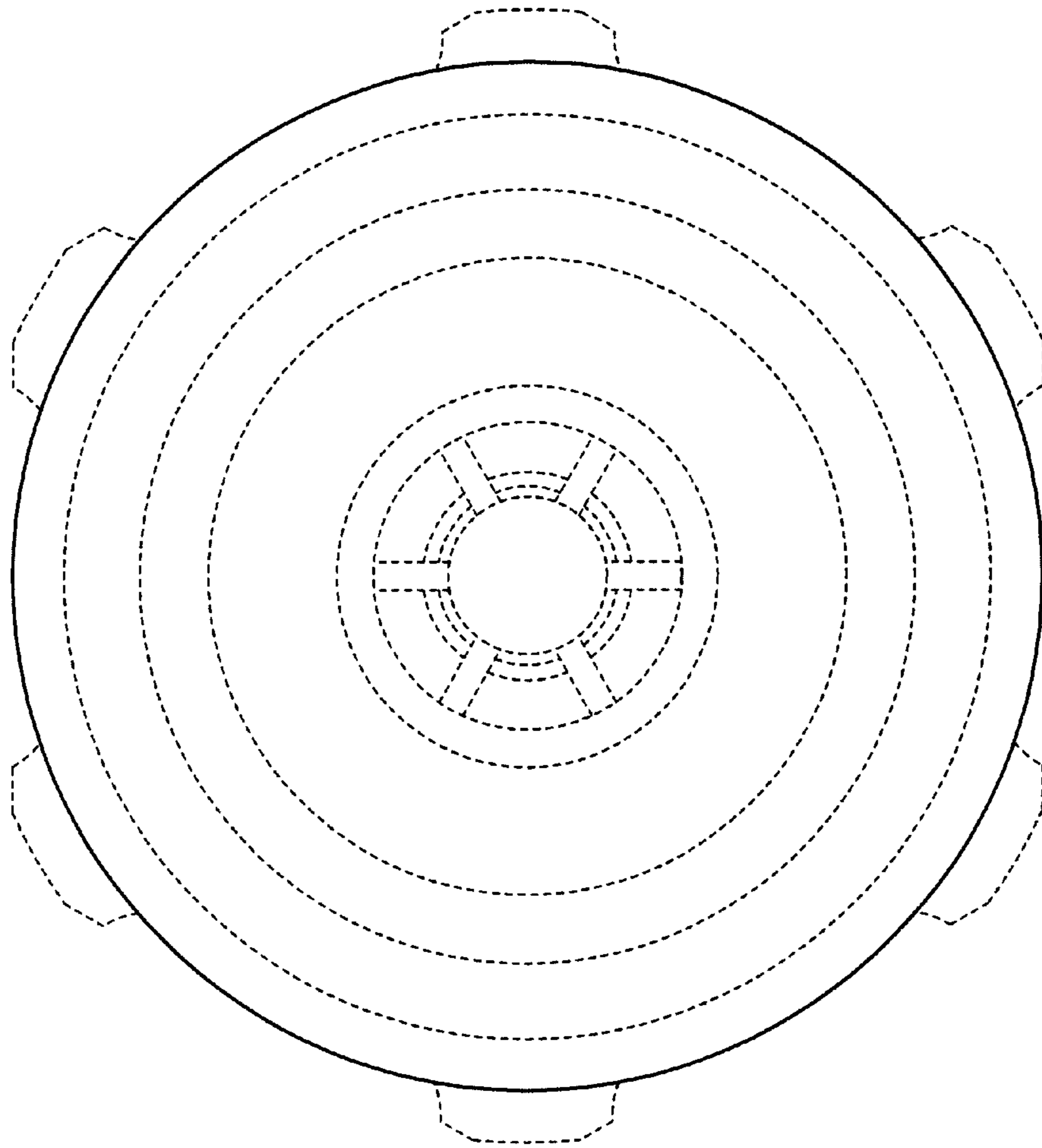


FIG. 4