



US00D509476S

(12) **United States Design Patent**
Ma et al.

(10) **Patent No.:** **US D509,476 S**
(45) **Date of Patent:** **** Sep. 13, 2005**

(54) **ELECTRICAL CONNECTOR ASSEMBLY**

(75) Inventors: **Hao-Yun Ma**, Tu-Chen (TW);
Ming-Lun Szu, Tu-chen (TW);
Fang-Jwu Liao, Tu-chen (TW)

(73) Assignee: **Hon Hai Precision Ind. Co., Ltd.**,
Taipei Hsien (TW)

(**) Term: **14 Years**

(21) Appl. No.: **29/200,194**

(22) Filed: **Feb. 24, 2004**

(30) **Foreign Application Priority Data**

Dec. 12, 2003 (TW) 92307487

(51) **LOC (8) Cl.** **13-03**

(52) **U.S. Cl.** **D13/149; D13/133**

(58) **Field of Search** D13/123, 133,
D13/146, 147, 149, 154, 184, 199; 439/73,
135, 342, 526

(56) **References Cited**

U.S. PATENT DOCUMENTS

6,776,625 B2 * 8/2004 Ma 439/73
6,805,562 B2 * 10/2004 Liao et al. 439/68
6,827,587 B2 * 12/2004 Ma 439/73
6,832,919 B2 * 12/2004 Ma et al. 439/73

2004/0053541 A1 * 3/2004 Murr 439/862
2004/0097119 A1 * 5/2004 Ma 439/331
2004/0142584 A1 * 7/2004 Ma 439/73
2004/0175974 A1 * 9/2004 Ma et al. 439/135
2004/0229492 A1 * 11/2004 Ma 439/331
2004/0242058 A1 * 12/2004 Ma et al. 439/526

* cited by examiner

Primary Examiner—Stella Reid
Assistant Examiner—Daniel Bui

(74) *Attorney, Agent, or Firm*—Wei Te Chung

(57) **CLAIM**

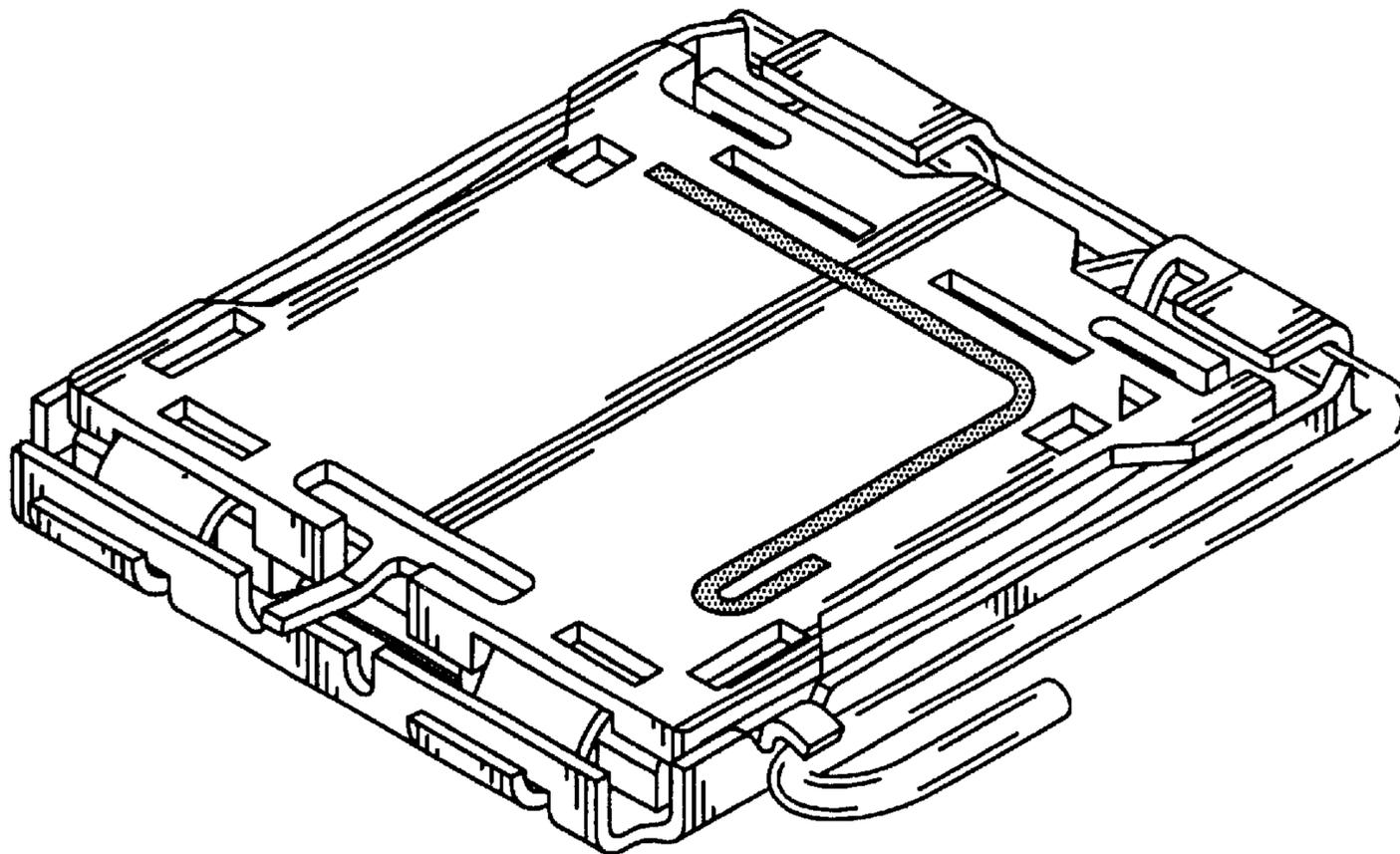
The ornamental design for an electrical connector assembly,
as shown and described.

DESCRIPTION

FIG. 1 is a front, top and right side perspective view of an electrical connector assembly showing our new design; FIG. 2 is a front elevational view thereof; FIG. 3 is a rear elevational view thereof; FIG. 4 is a left side elevational view thereof; FIG. 5 is a right side elevational view thereof; FIG. 6 is a top plan view thereof; and, FIG. 7 is a bottom plan view thereof.

The broken line showing of the environment is for illustrative purposes only and forms no part of the claimed design.

1 Claim, 5 Drawing Sheets



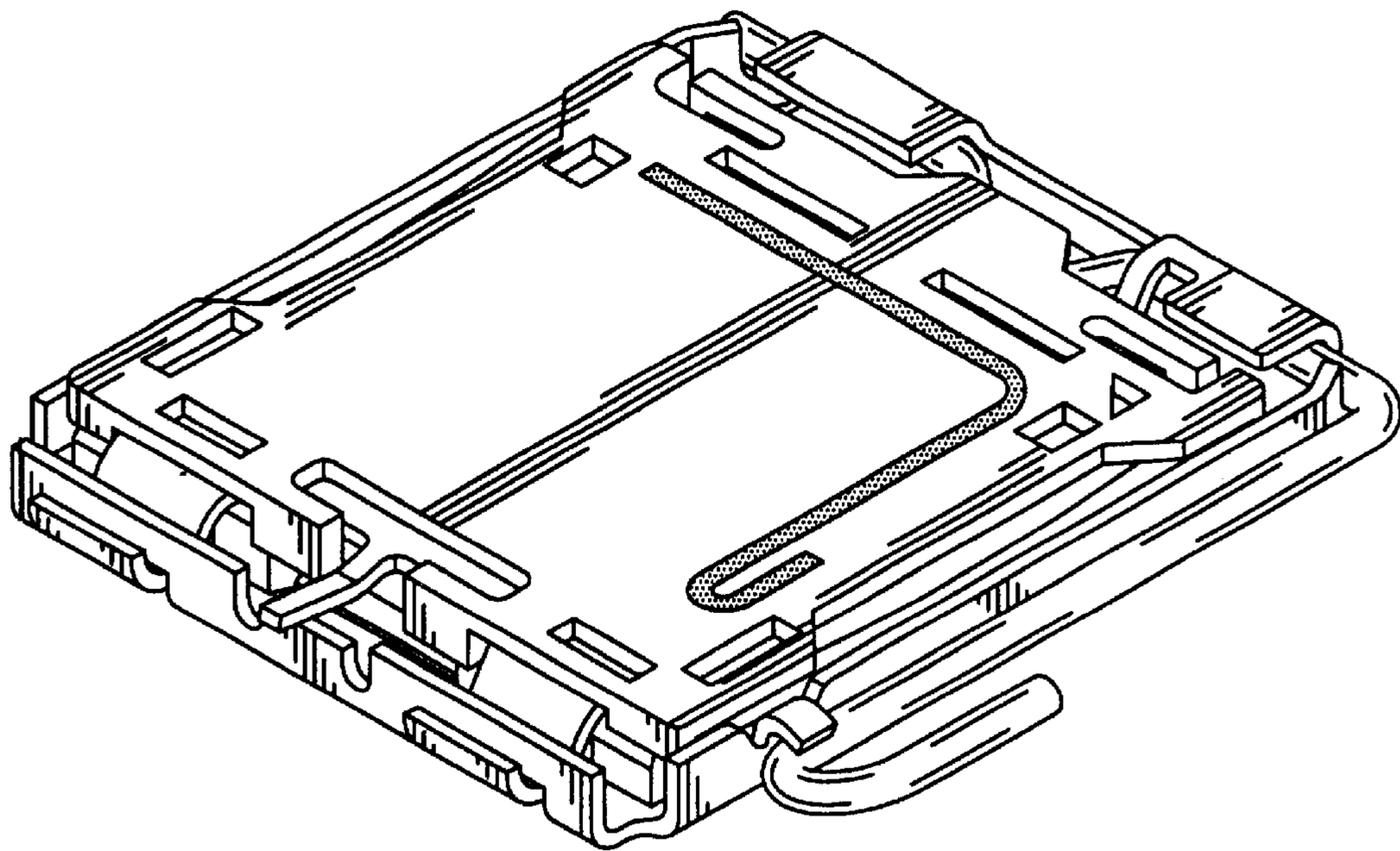


FIG. 1

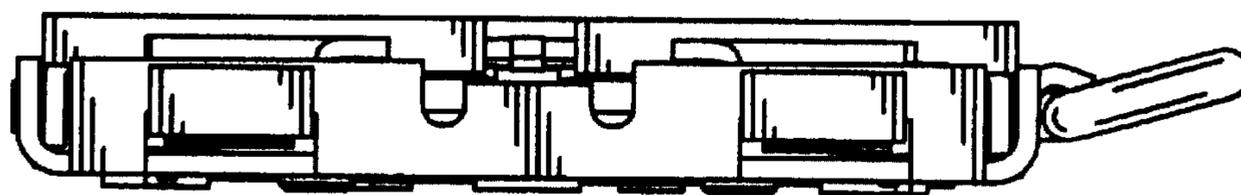


FIG. 2

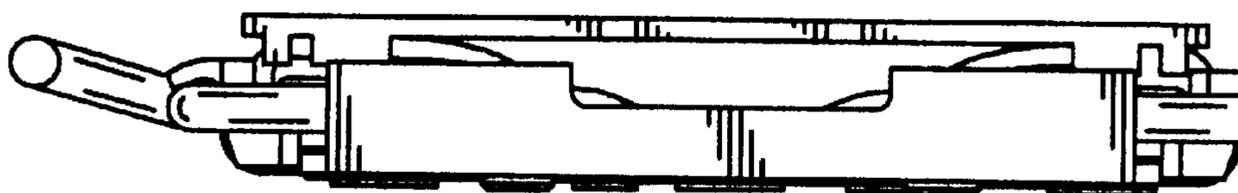


FIG. 3

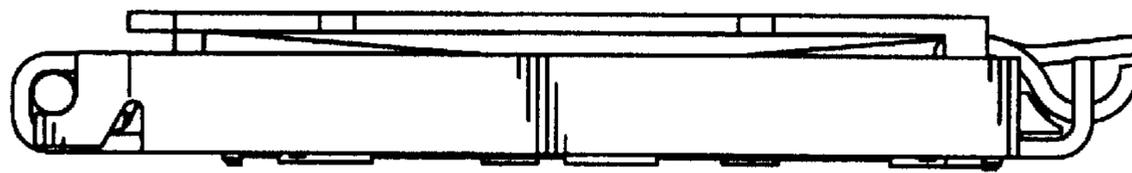


FIG. 4

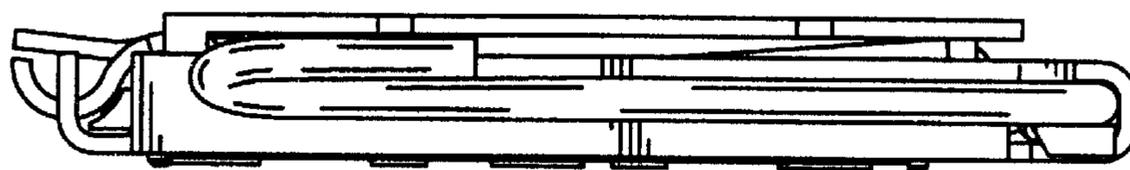


FIG. 5

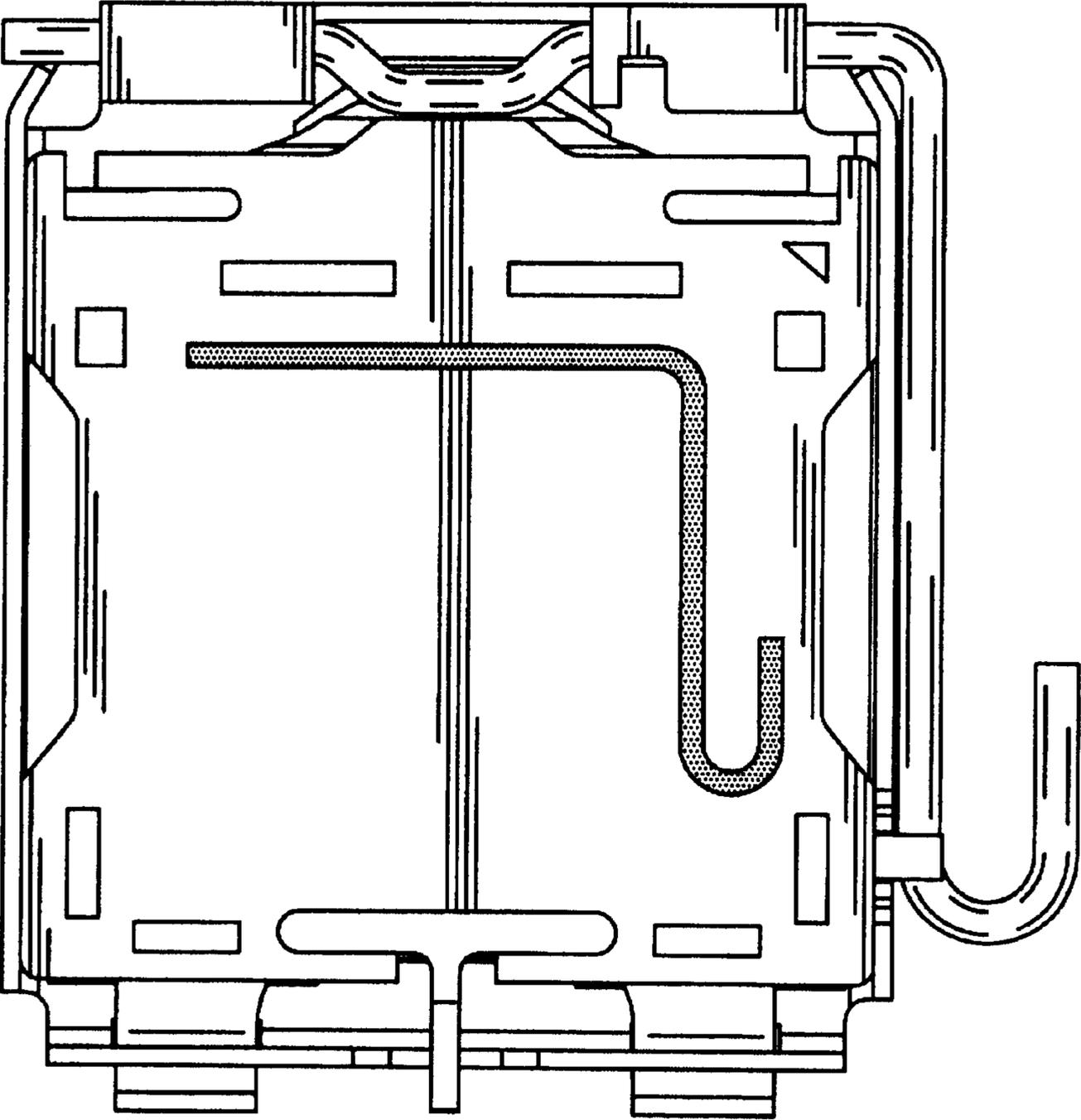


FIG. 6

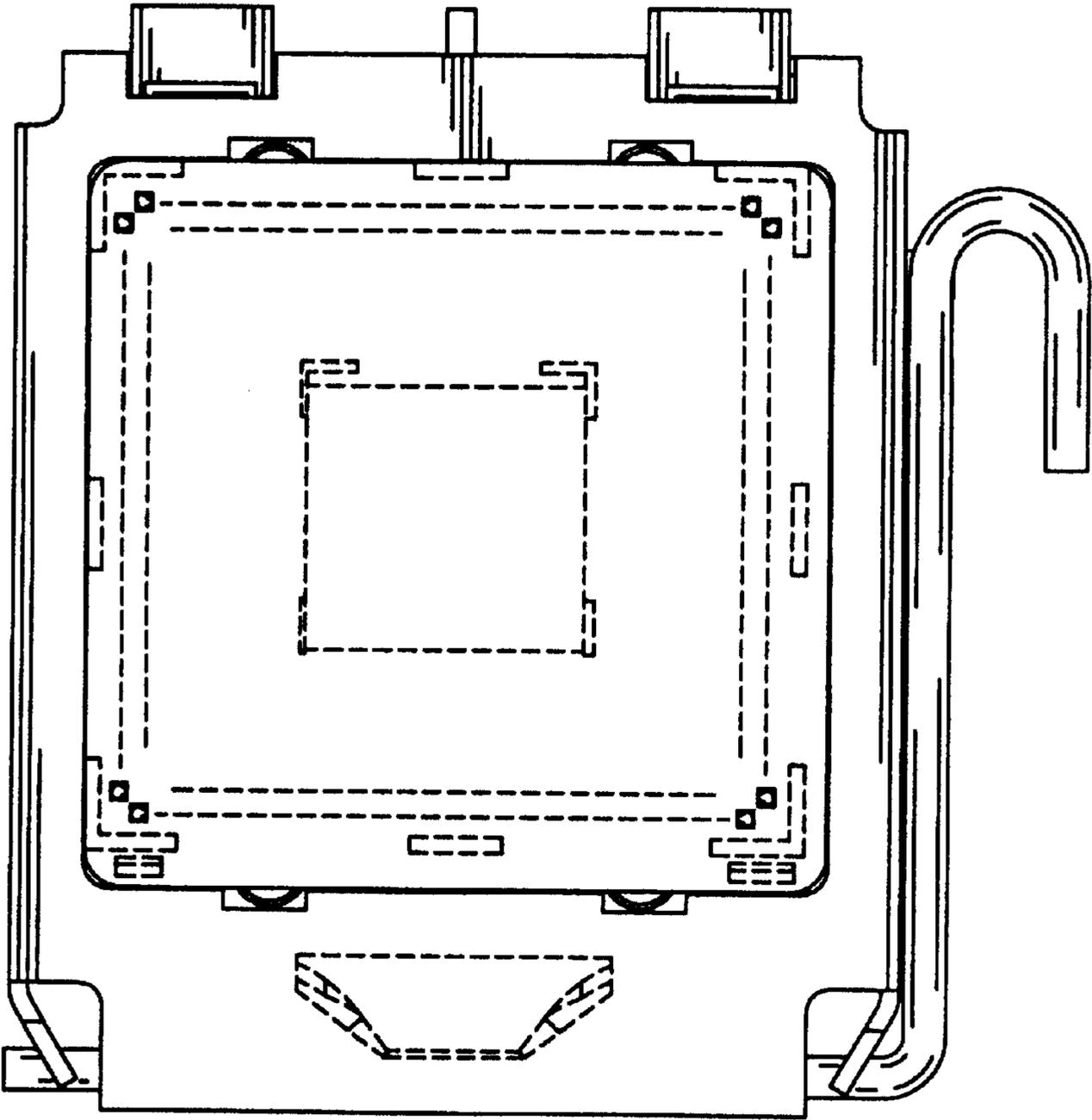


FIG. 7