

US00D509475S

(12) **United States Design Patent**  
**Tsai**

(10) **Patent No.:** **US D509,475 S**

(45) **Date of Patent:** **\*\* \*Sep. 13, 2005**

(54) **HDMI CONNECTOR**

(75) **Inventor:** **Wen-Hsien Tsai, Taipei Hsien (TW)**

(73) **Assignee:** **Advanced Connectek, Inc., Taipei (TW)**

(\*) **Notice:** This patent is subject to a terminal disclaimer.

(\*\*) **Term:** **14 Years**

(21) **Appl. No.:** **29/198,209**

(22) **Filed:** **Jan. 28, 2004**

(51) **LOC (8) Cl.** ..... **13-03**

(52) **U.S. Cl.** ..... **D13/147**

(58) **Field of Search** ..... D13/147; 439/79, 439/108, 607-610

(56) **References Cited**

**U.S. PATENT DOCUMENTS**

6,238,241	B1	*	5/2001	Zhu et al.	.....	439/541.5
D450,302	S	*	11/2001	Shimojyo	.....	D13/147
D451,477	S	*	12/2001	Shimojyo	.....	D13/147
D451,480	S	*	12/2001	Milan	.....	D13/154
D452,481	S	*	12/2001	Shimojyo	.....	D13/147
D452,847	S	*	1/2002	Shimojyo	.....	D13/147
D452,848	S	*	1/2002	Shimojyo	.....	D13/147

6,659,799 B2 \* 12/2003 Yang ..... 439/607

\* cited by examiner

*Primary Examiner*—Stella Reid

*Assistant Examiner*—Selina Sikder

(74) *Attorney, Agent, or Firm*—Johnson, Lin & Associates, PC; Chauncey B. Johnson, Esq.

(57) **CLAIM**

I claim the ornamental design for a HDMI connector, as shown and described.

**DESCRIPTION**

FIG. 1 is a front and a lower right perspective view of a HDMI connector showing our new design;

FIG. 2 is a top view of the HDMI connector shown in FIG. 1;

FIG. 3 is a bottom view of the HDMI connector shown in FIG. 1;

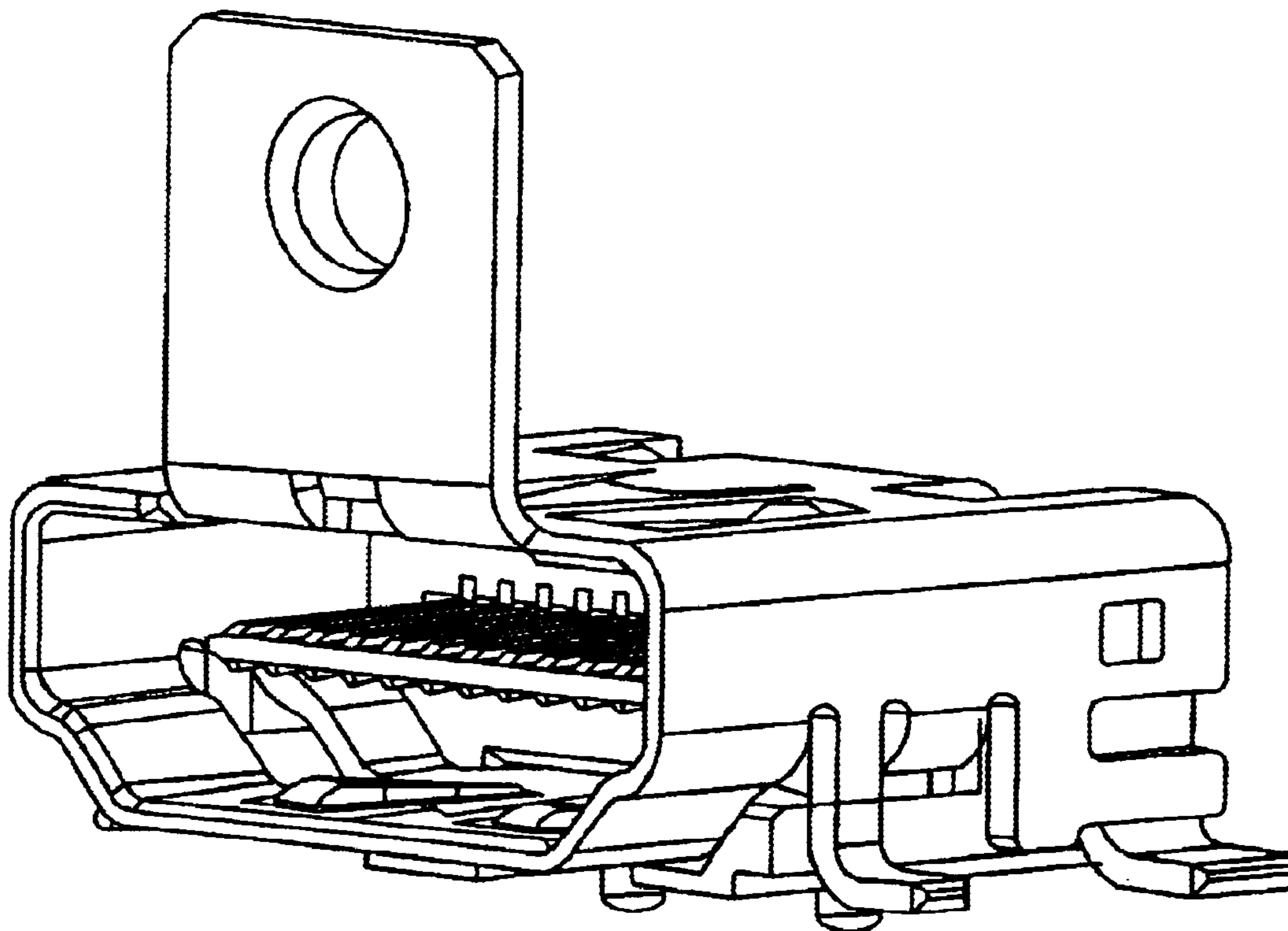
FIG. 4 is a front view of the HDMI connector shown in FIG. 1;

FIG. 5 is a rear view of the HDMI connector shown in FIG. 1;

FIG. 6 is a left side view of the HDMI connector shown in FIG. 1; and,

FIG. 7 is a right side view of the HDMI connector shown in FIG. 1.

**1 Claim, 4 Drawing Sheets**



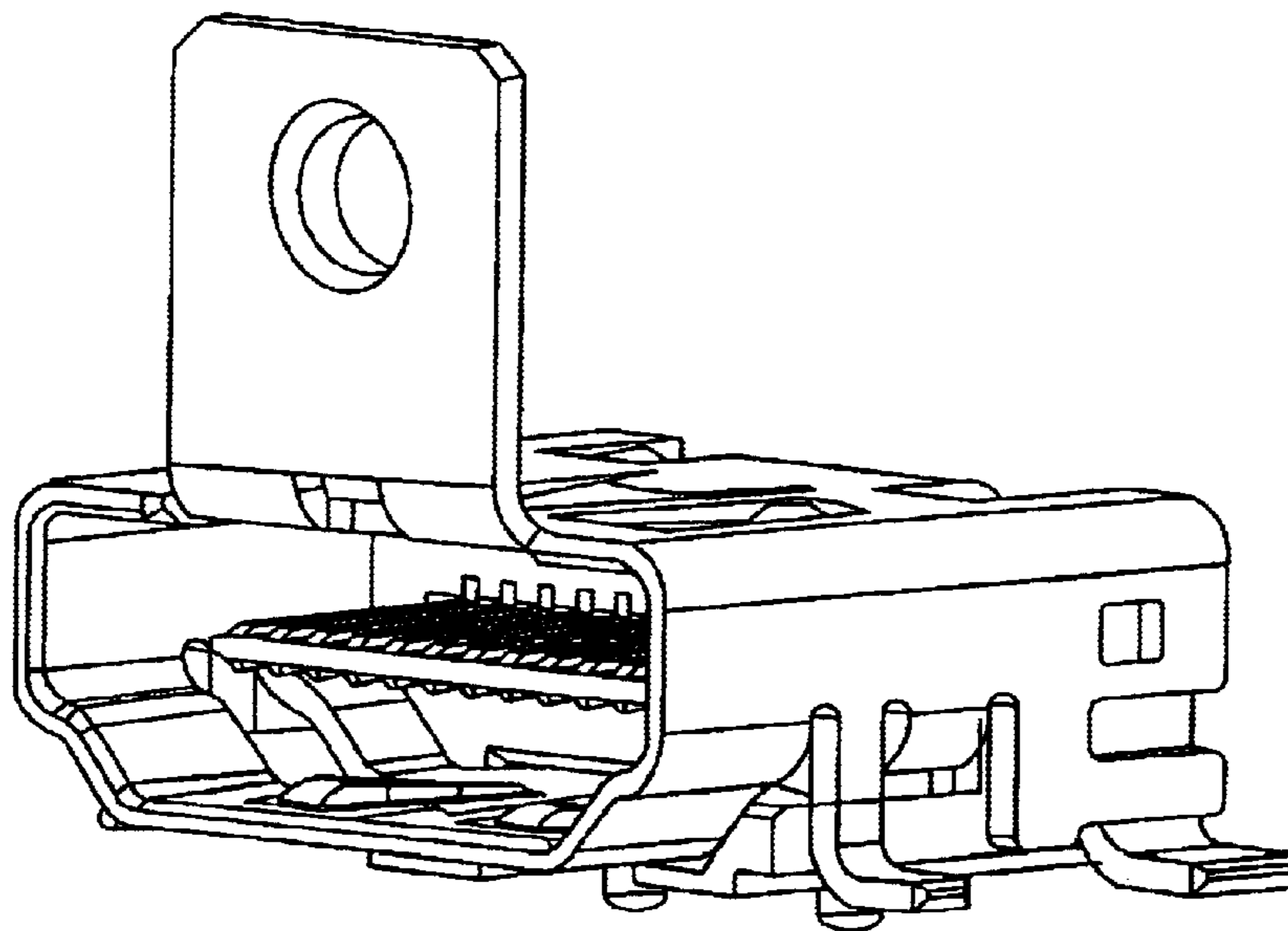


FIG. 1

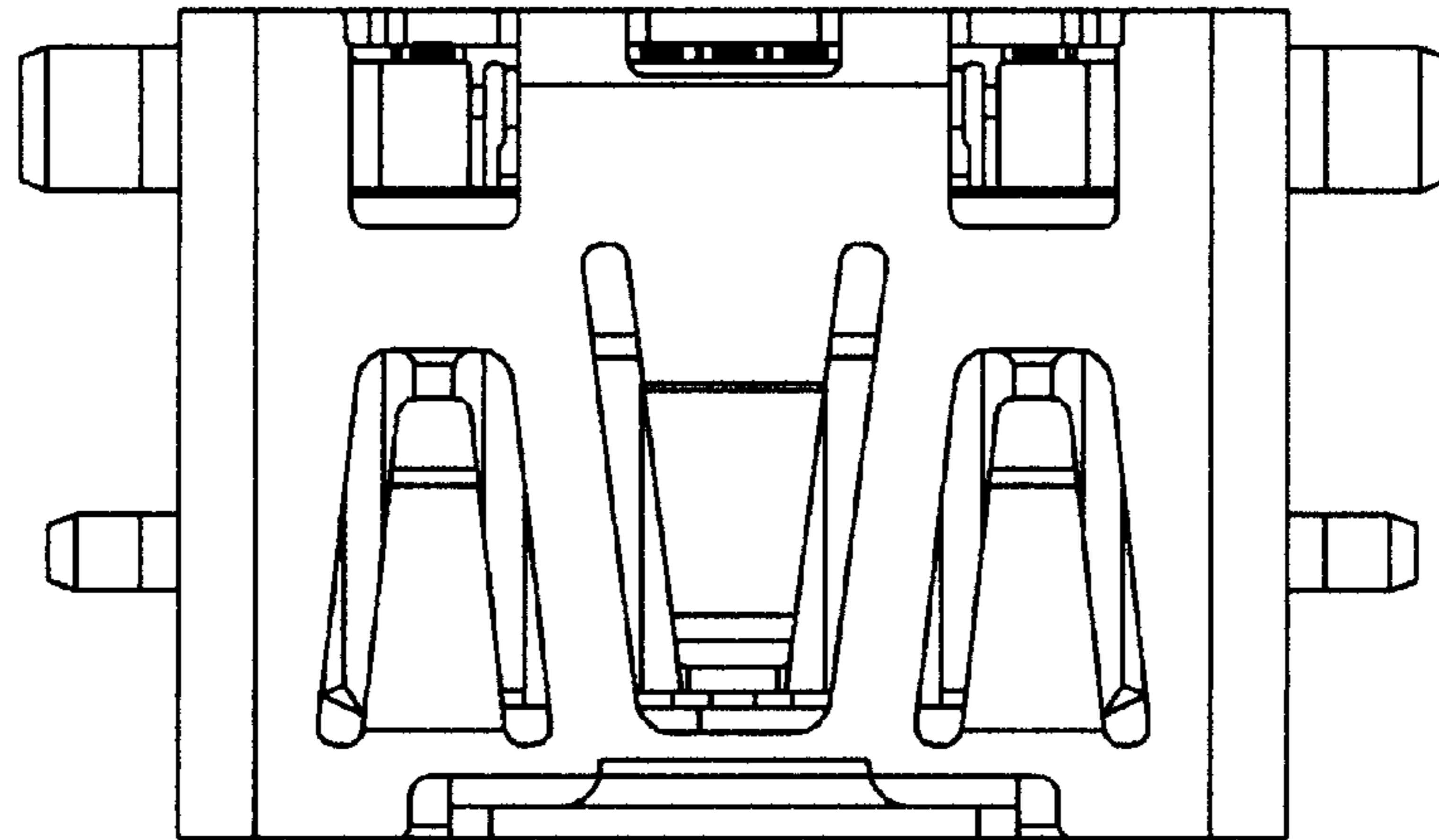


FIG. 2

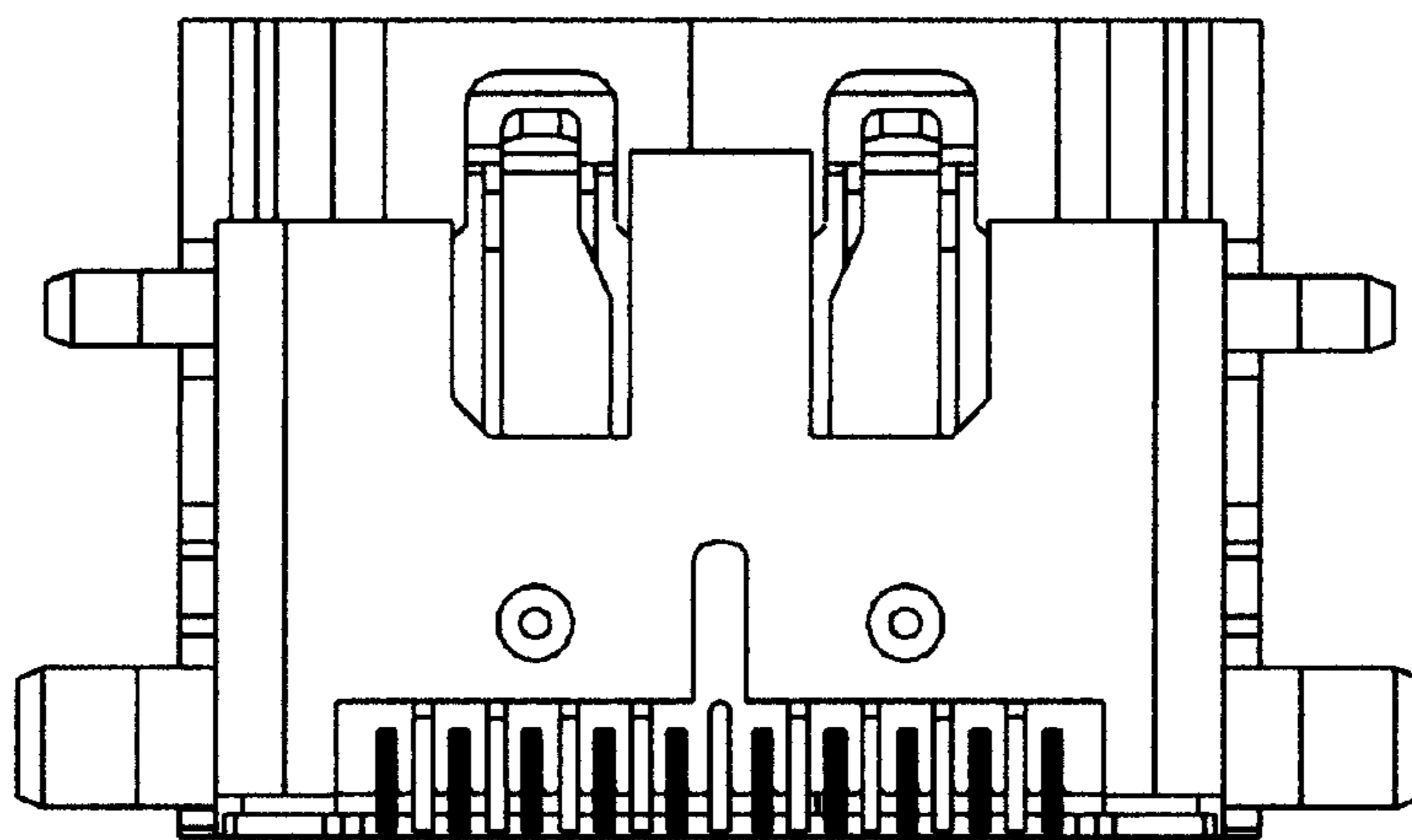


FIG. 3

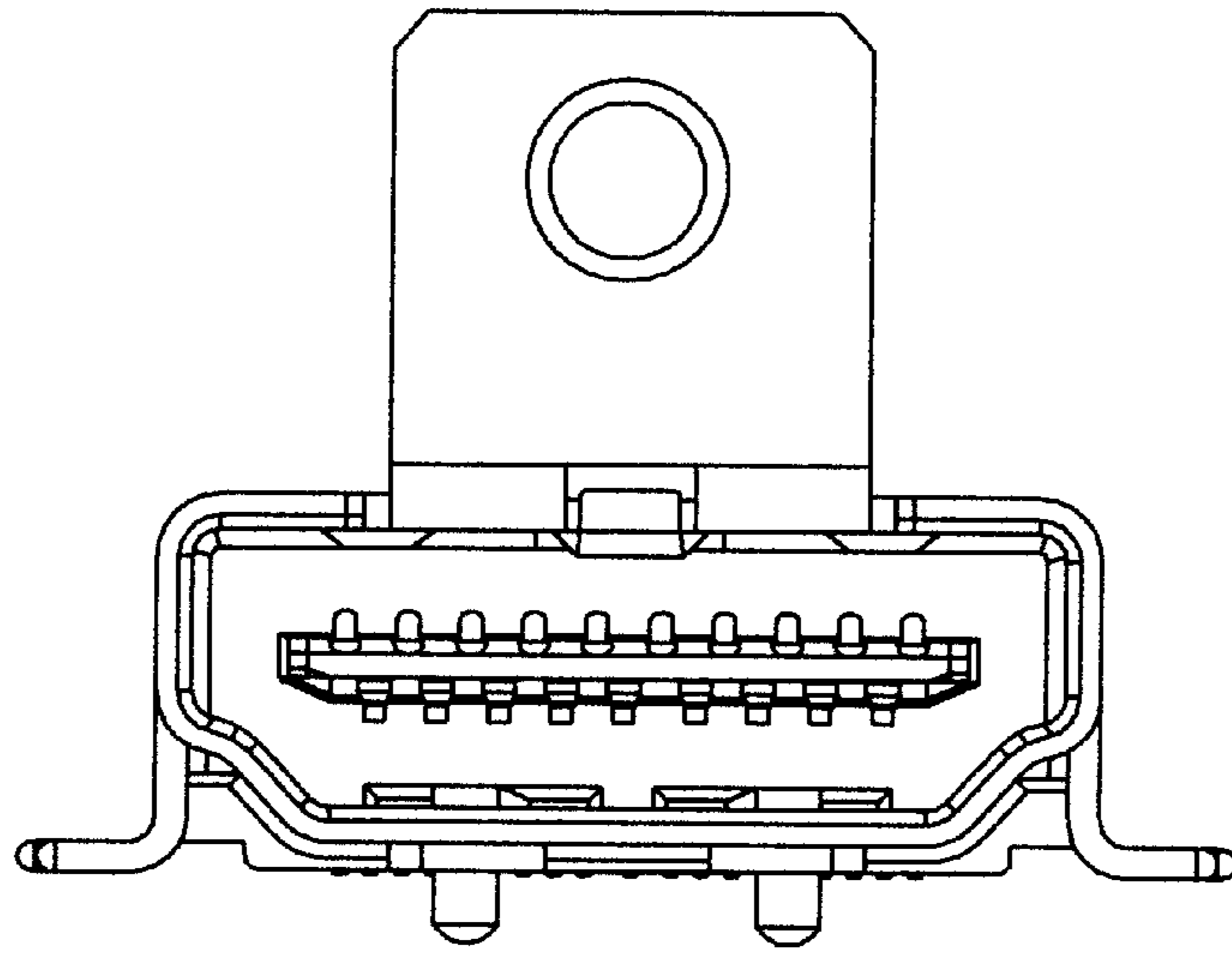


FIG. 4

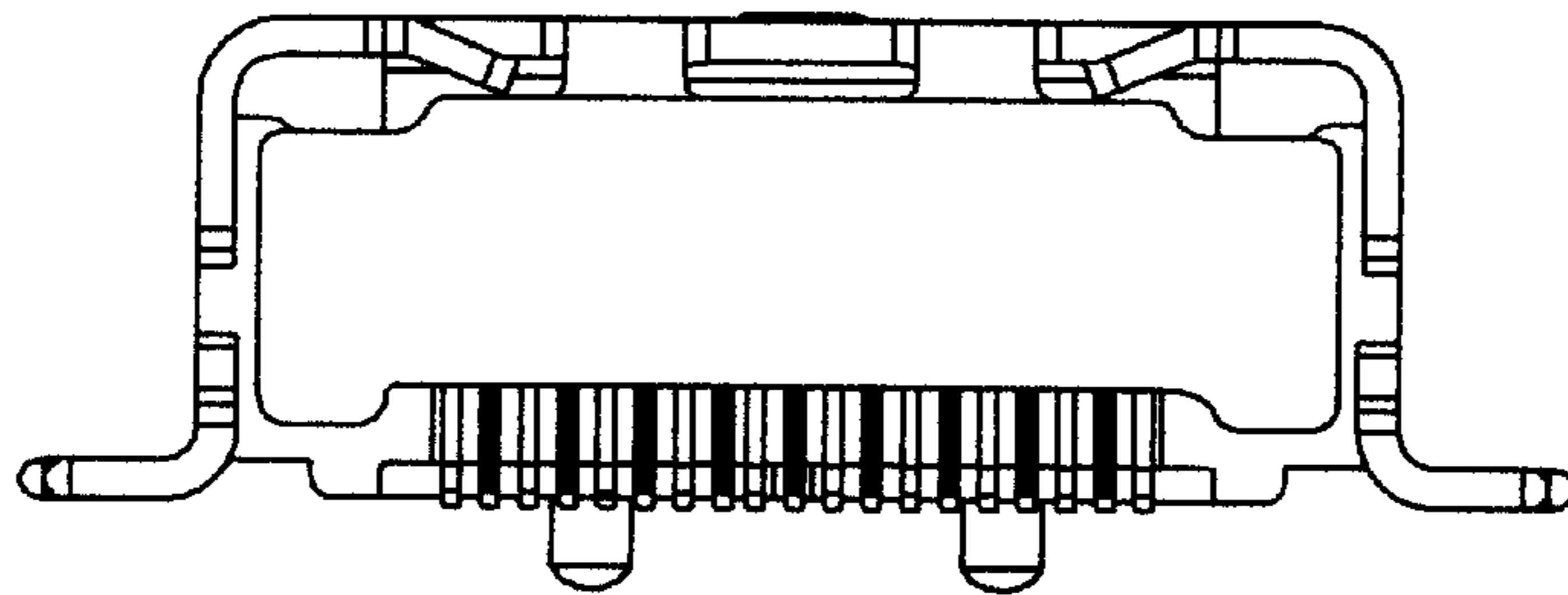


FIG. 5

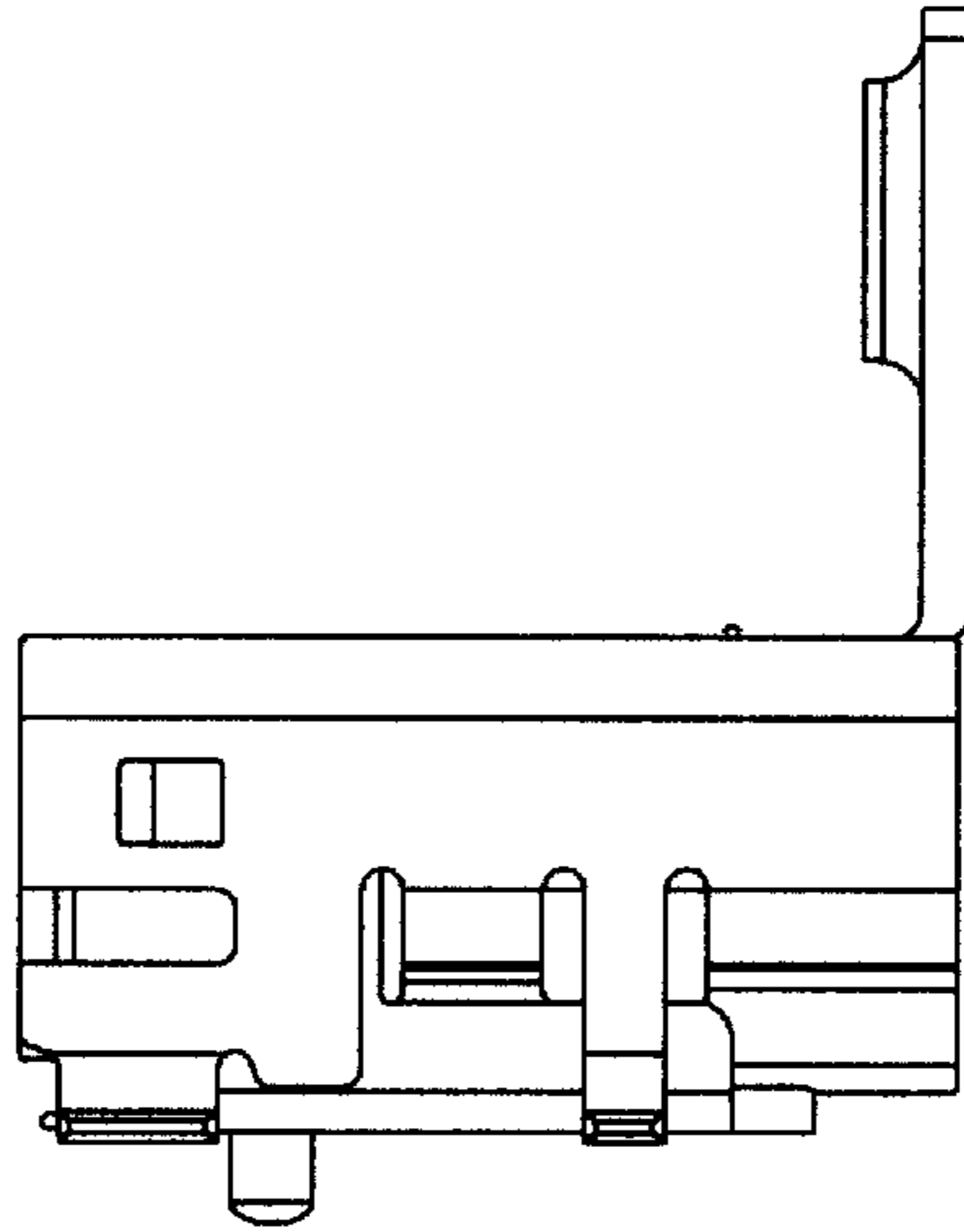


FIG. 6

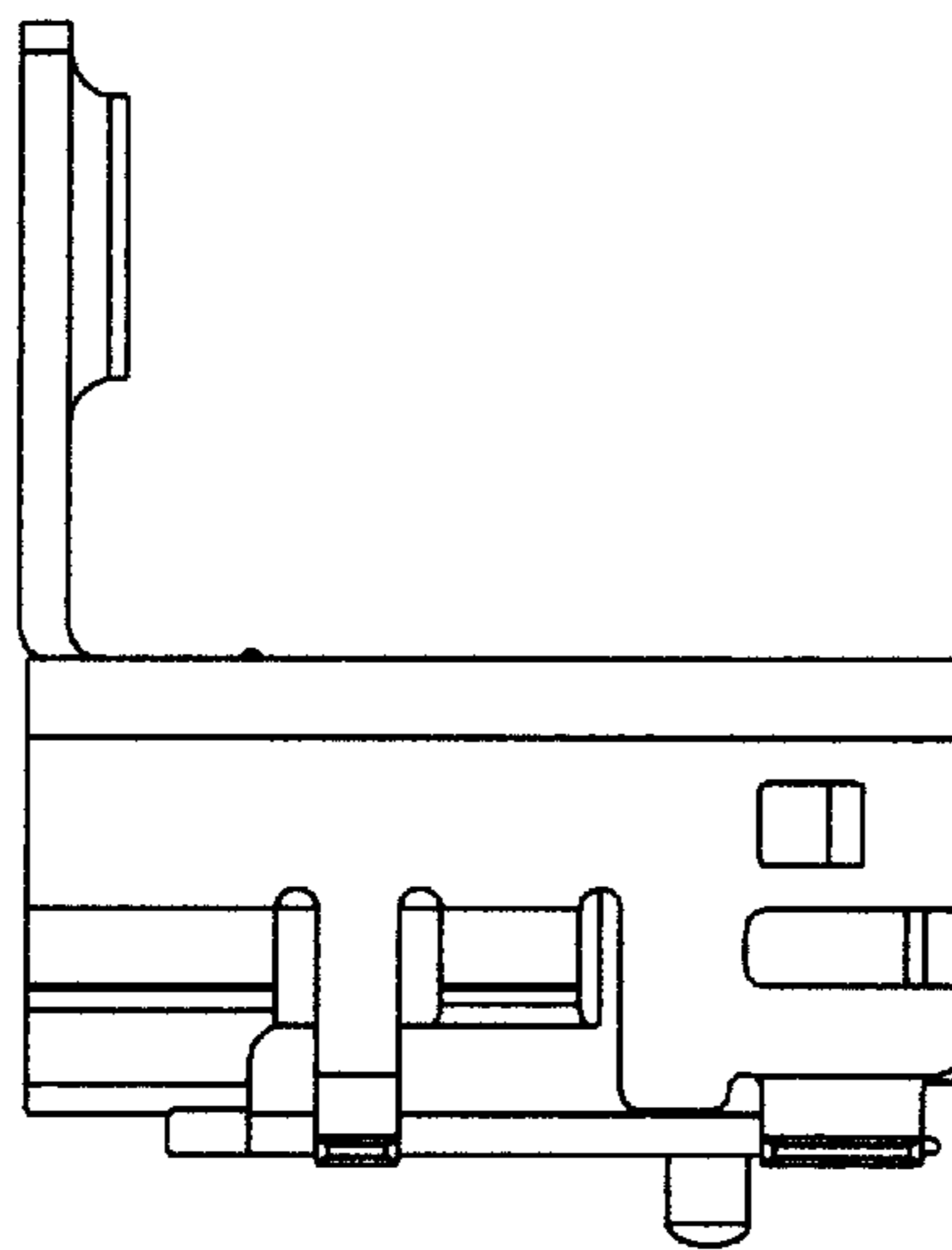


FIG. 7