

US00D509474S

(12) **United States Design Patent**  
**Bihrer**

(10) **Patent No.:** **US D509,474 S**

(45) **Date of Patent:** **\*\* Sep. 13, 2005**

(54) **ELECTRICAL CONNECTOR**

(75) **Inventor:** **Markus Bihrer, Althengstett (DE)**

(73) **Assignee:** **U.I. Lapp GmbH, Stuttgart (DE)**

(\*\*) **Term:** **14 Years**

(21) **Appl. No.:** **29/203,565**

(22) **Filed:** **Apr. 15, 2004**

(30) **Foreign Application Priority Data**

Oct. 16, 2003 (EM) ..... 000088430

(51) **LOC (8) Cl.** ..... **13-03**

(52) **U.S. Cl.** ..... **D13/146**

(58) **Field of Search** ..... D13/123, 133,  
D13/146-147, 154, 184, 199; 285/9.2, 81,  
284.1, 286.1, 324, 412; 439/164, 259, 262,  
310, 338, 344, 378-379, 891

(56) **References Cited**

**U.S. PATENT DOCUMENTS**

4,152,039 A \* 5/1979 Shah ..... 439/321  
D260,511 S \* 9/1981 Avramovich ..... D13/146  
5,683,255 A \* 11/1997 Menze ..... 439/63  
D406,816 S \* 3/1999 Hopper et al. .... D13/146

D412,883 S \* 8/1999 Nakazawa ..... D13/146  
D413,100 S \* 8/1999 Nakazawa ..... D13/146  
D446,771 S \* 8/2001 Bosatelli ..... D13/146  
2004/0087206 A1 \* 5/2004 Grubbs ..... 439/489

\* cited by examiner

*Primary Examiner*—Stella Reid

*Assistant Examiner*—Daniel Bui

(74) *Attorney, Agent, or Firm*—Lipsitz & McAllister, LLC

(57) **CLAIM**

The ornamental design for an electrical connector, as shown and described.

**DESCRIPTION**

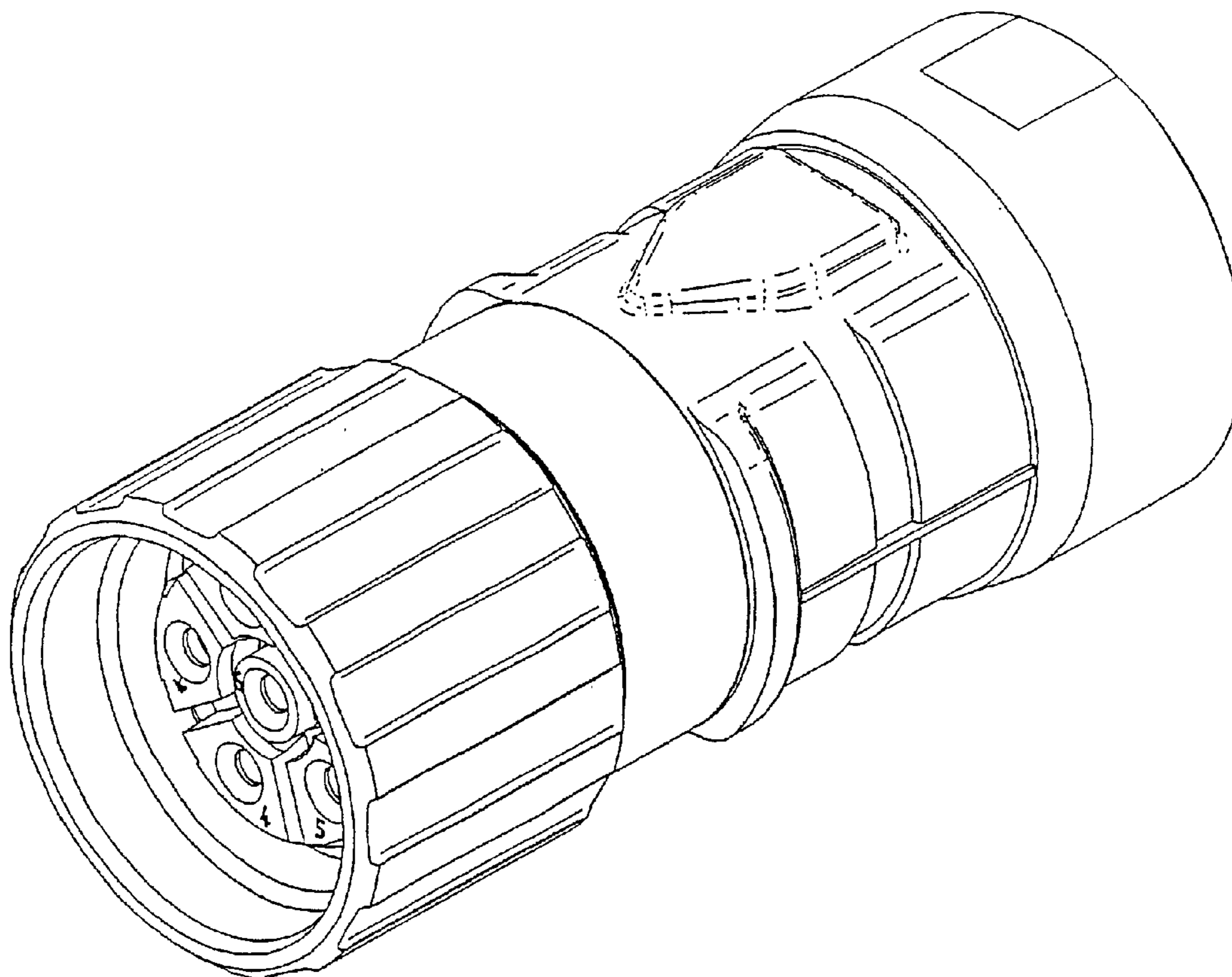
FIG. 1 is a front, top and right side perspective view of the first embodiment of an electrical connector, showing my new design;

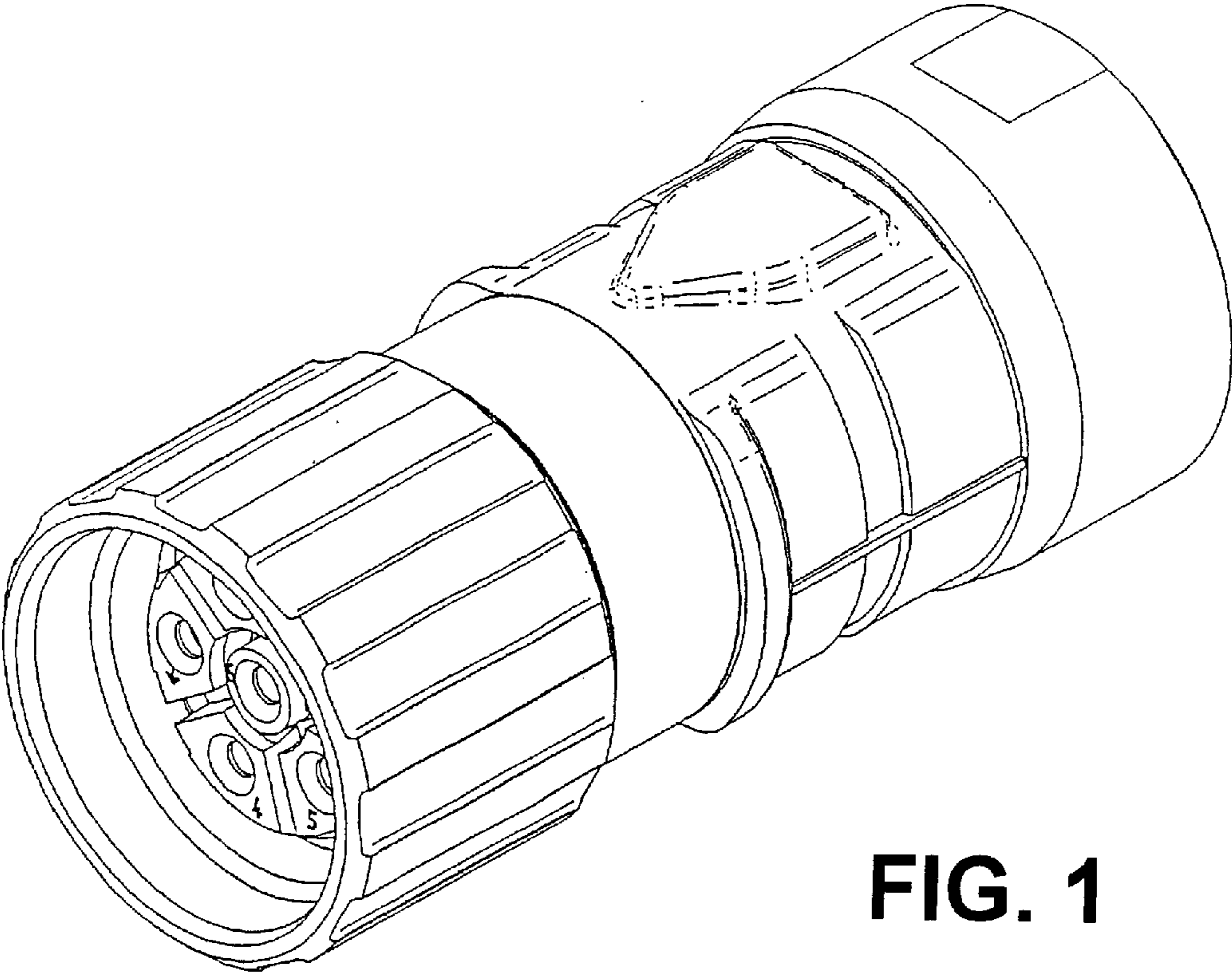
FIG. 2 is a front, bottom and left side perspective view thereof;

FIG. 3 is a front, top and right side perspective view of the second embodiment of an electrical connector, showing my new design; and,

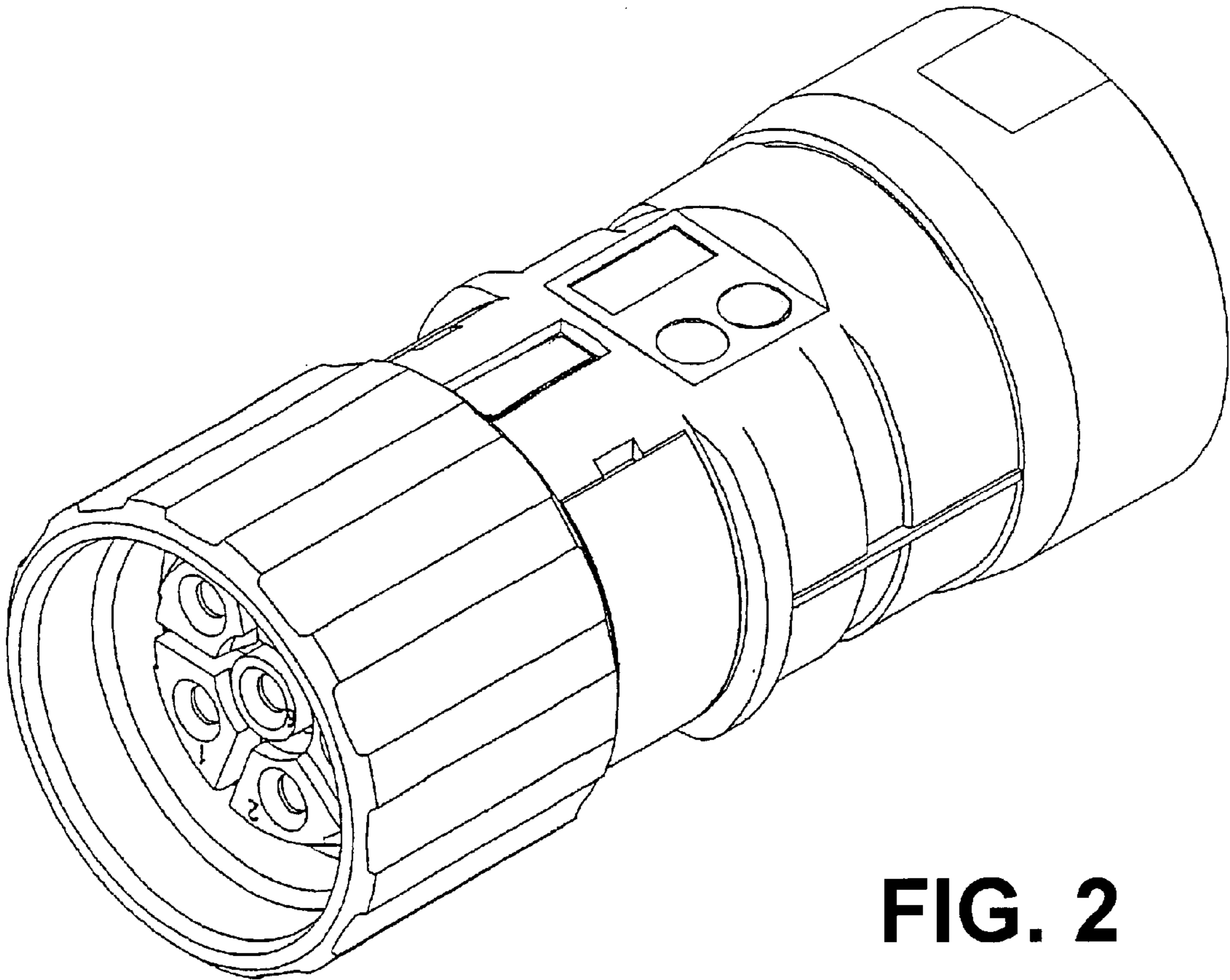
FIG. 4 is a front, bottom and left side perspective view thereof.

**1 Claim, 4 Drawing Sheets**

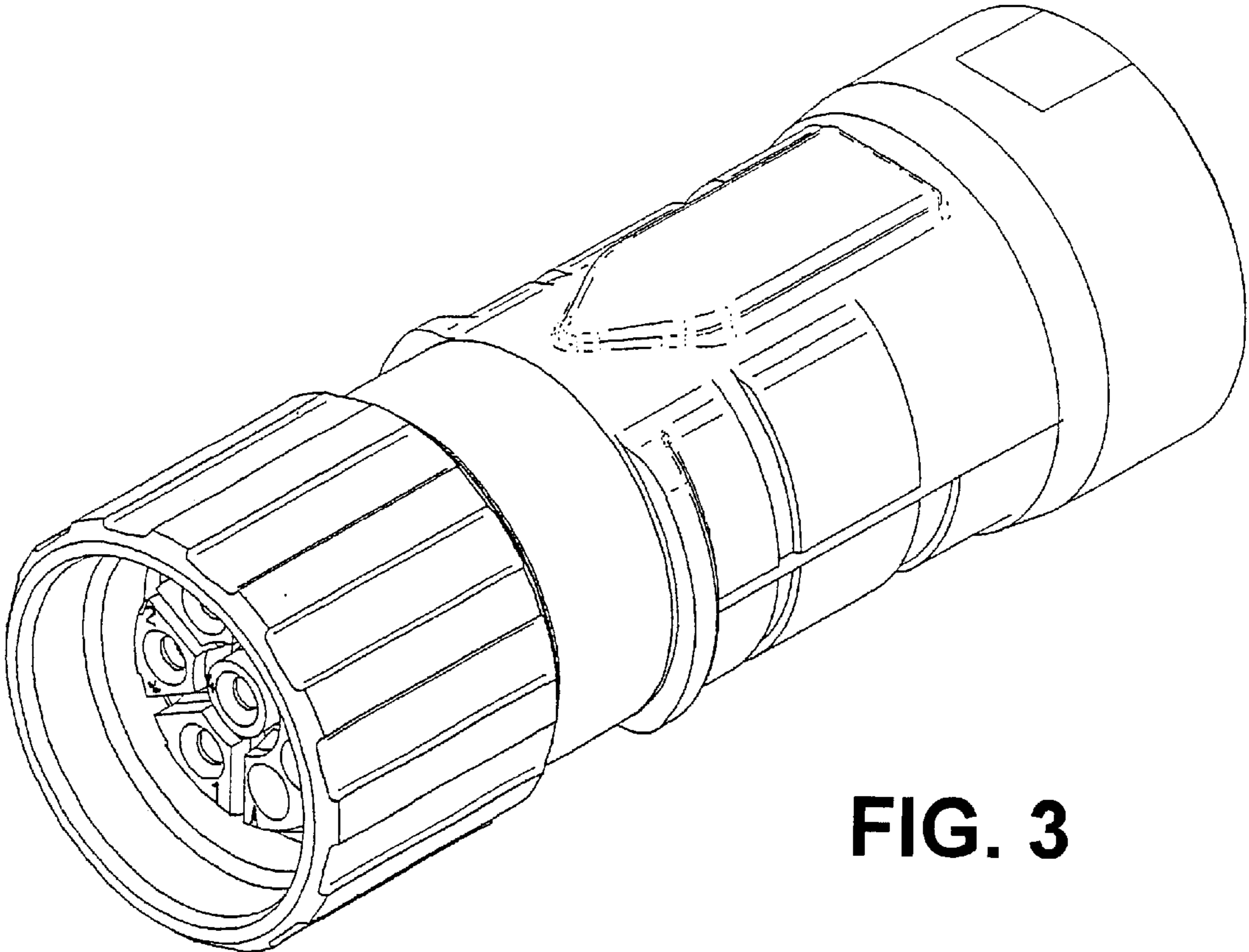




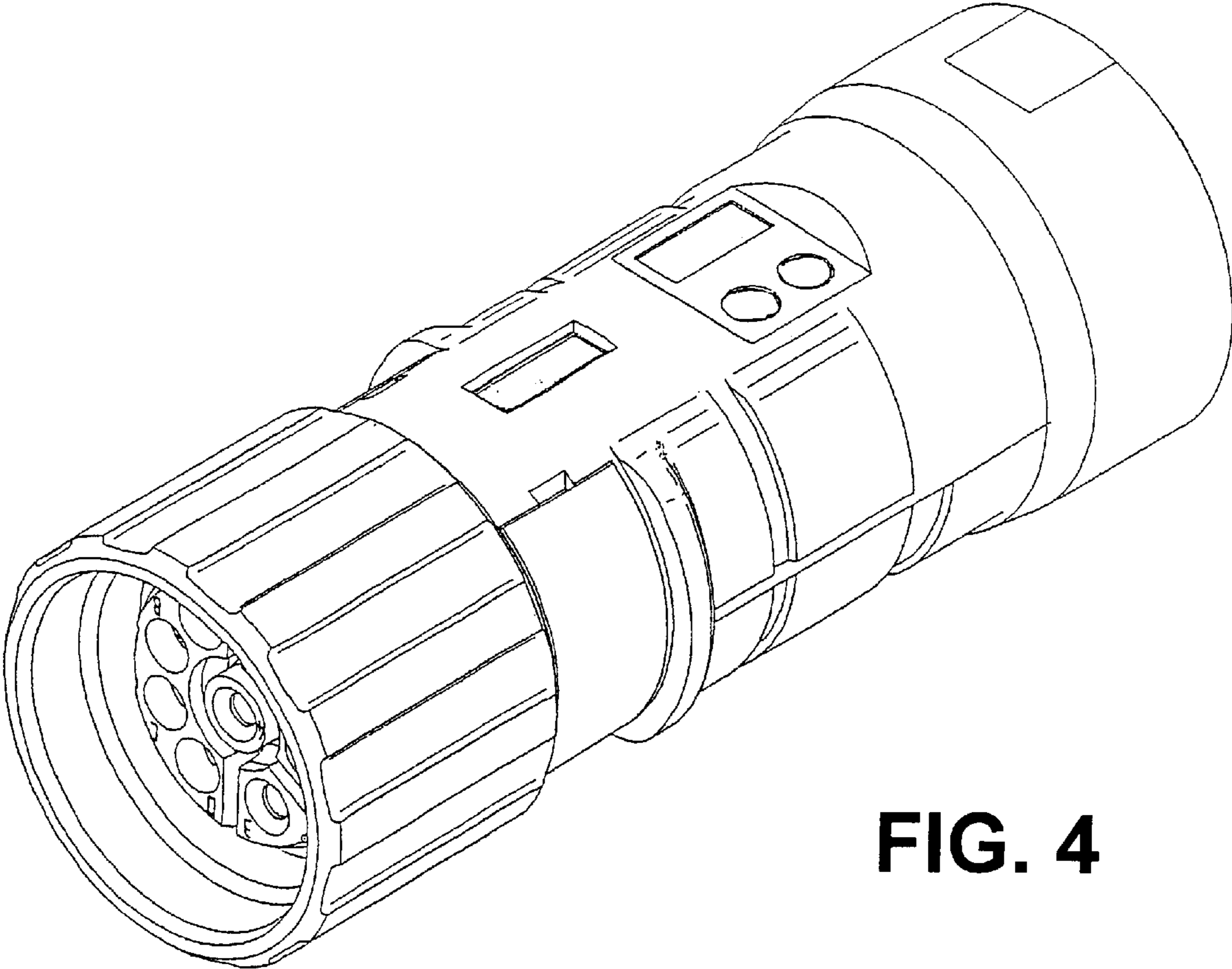
**FIG. 1**



**FIG. 2**



**FIG. 3**



**FIG. 4**