



US00D509471S

(12) **United States Design Patent** (10) **Patent No.:** **US D509,471 S**
Cronce et al. (45) **Date of Patent:** **** Sep. 13, 2005**

(54) **STANCHION (RS)**

(75) Inventors: **Robert G. Cronce**, Port Huron, MI (US); **John E. Klinkman**, Riley Township, MI (US)

(73) Assignee: **SportRack LLC**, Sterling Heights, MI (US)

(**) Term: **14 Years**

(21) Appl. No.: **29/201,942**

(22) Filed: **Mar. 23, 2004**

(51) **LOC (8) Cl.** **12-16**

(52) **U.S. Cl.** **D12/414; D8/382**

(58) **Field of Search** D12/406, 412, D12/414; D14/240, 217, 229, 224; D6/495, 455, 449; D8/363, 382; 224/309-310, 323-329

(56) **References Cited**

U.S. PATENT DOCUMENTS

D258,280 S	*	2/1981	Mareydt	D8/382
D267,247 S	*	12/1982	Kowalski et al.	D12/414
D309,126 S	*	7/1990	Carr	D12/414
D321,496 S	*	11/1991	Sparham et al.	D12/414
D396,029 S	*	7/1998	Cucheran et al.	D12/414
D417,186 S	*	11/1999	Egly	D12/414
D422,554 S	*	4/2000	Stapleton et al.	D12/414

* cited by examiner

Primary Examiner—Alan P. Douglas
Assistant Examiner—Susan M Lee

(74) *Attorney, Agent, or Firm*—Rader, Fishman & Grauer PLLC

(57) **CLAIM**

The ornamental design for stanchion (RS), as shown and described.

DESCRIPTION

FIG. 1 is a prospective view of the first embodiment of the stanchion of the present invention, wherein the structure shown in broken lines is not part of the design sought to be patented;

FIG. 2 is a front elevational view of the stanchion of FIG. 1, wherein the structure shown in broken lines is not part of the design sought to be patented;

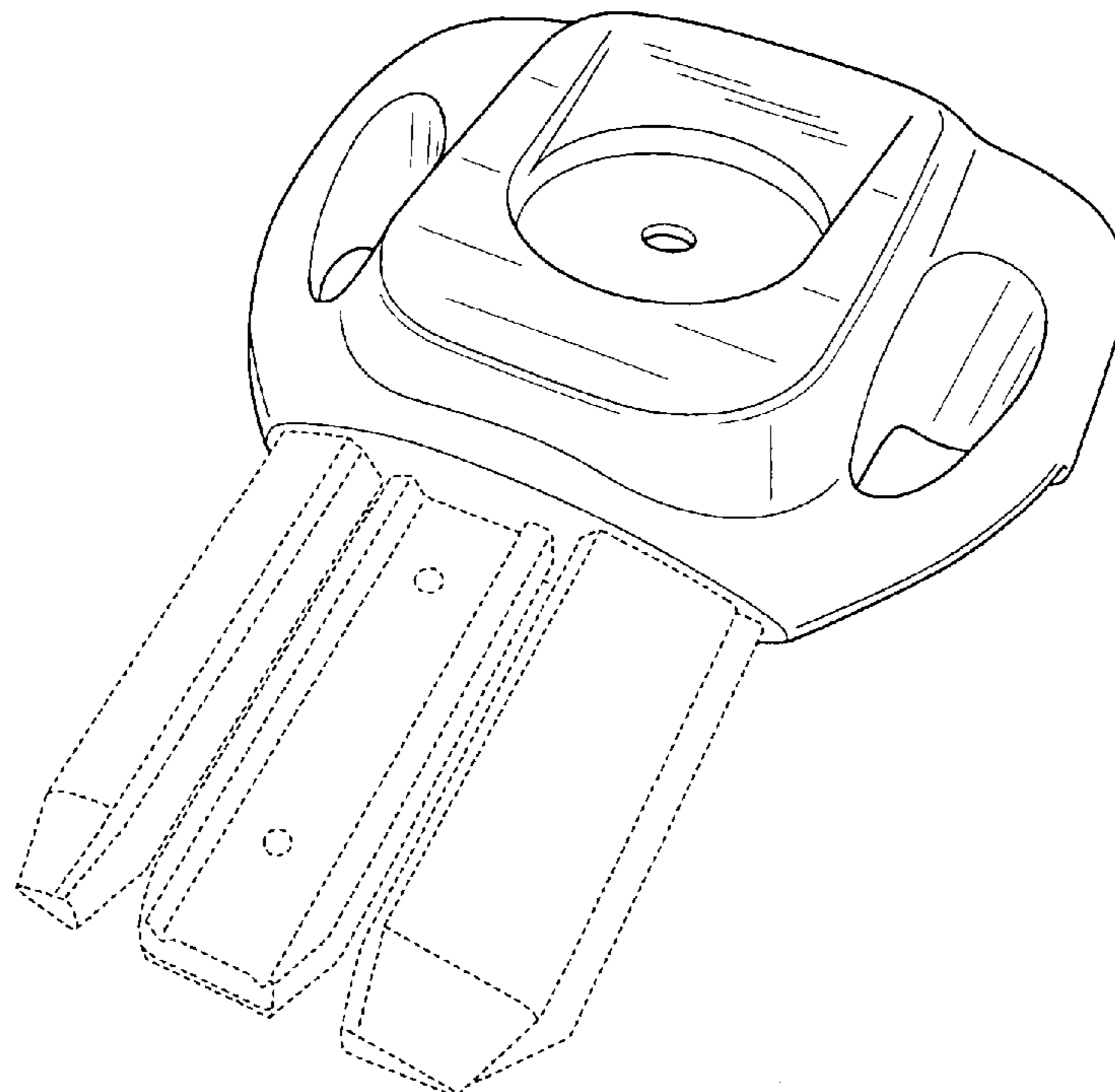
FIG. 3 is a rear elevational view of the stanchion of FIG. 1; FIG. 4 is a right side elevational view of the stanchion of FIG. 1, wherein the structure shown in broken lines is not part of the design sought to be patented;

FIG. 5 is a left side elevational view of the stanchion of FIG. 1, wherein the structure shown in broken lines is not part of the design sought to be patented;

FIG. 6 is a top plan view of the stanchion of FIG. 1, wherein the structure shown in broken lines is not part of the design sought to be patented; and,

FIG. 7 is a bottom view of the stanchion of FIG. 1, wherein the structure shown in broken lines is not part of the design sought to be patented.

1 Claim, 5 Drawing Sheets



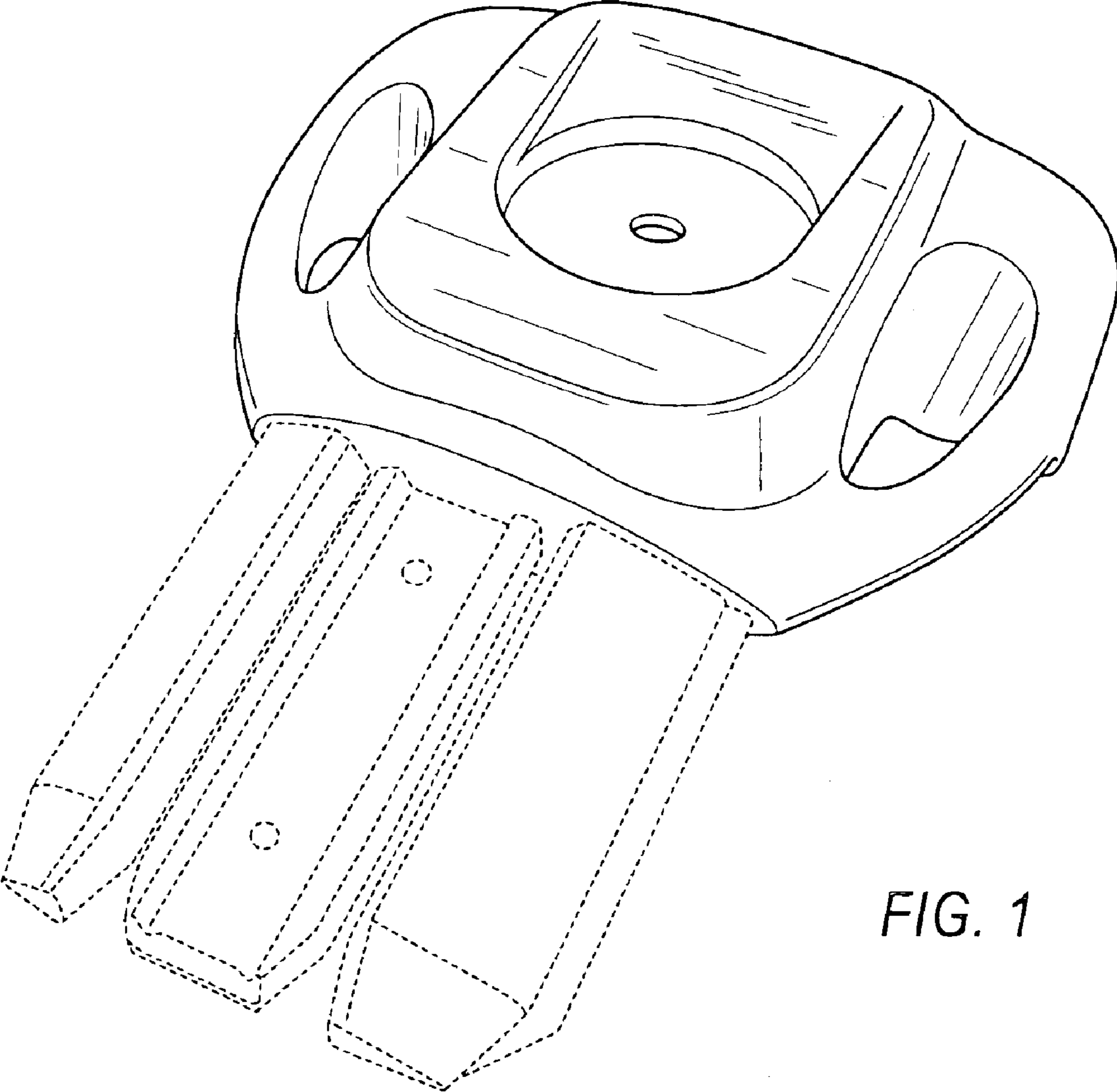


FIG. 1

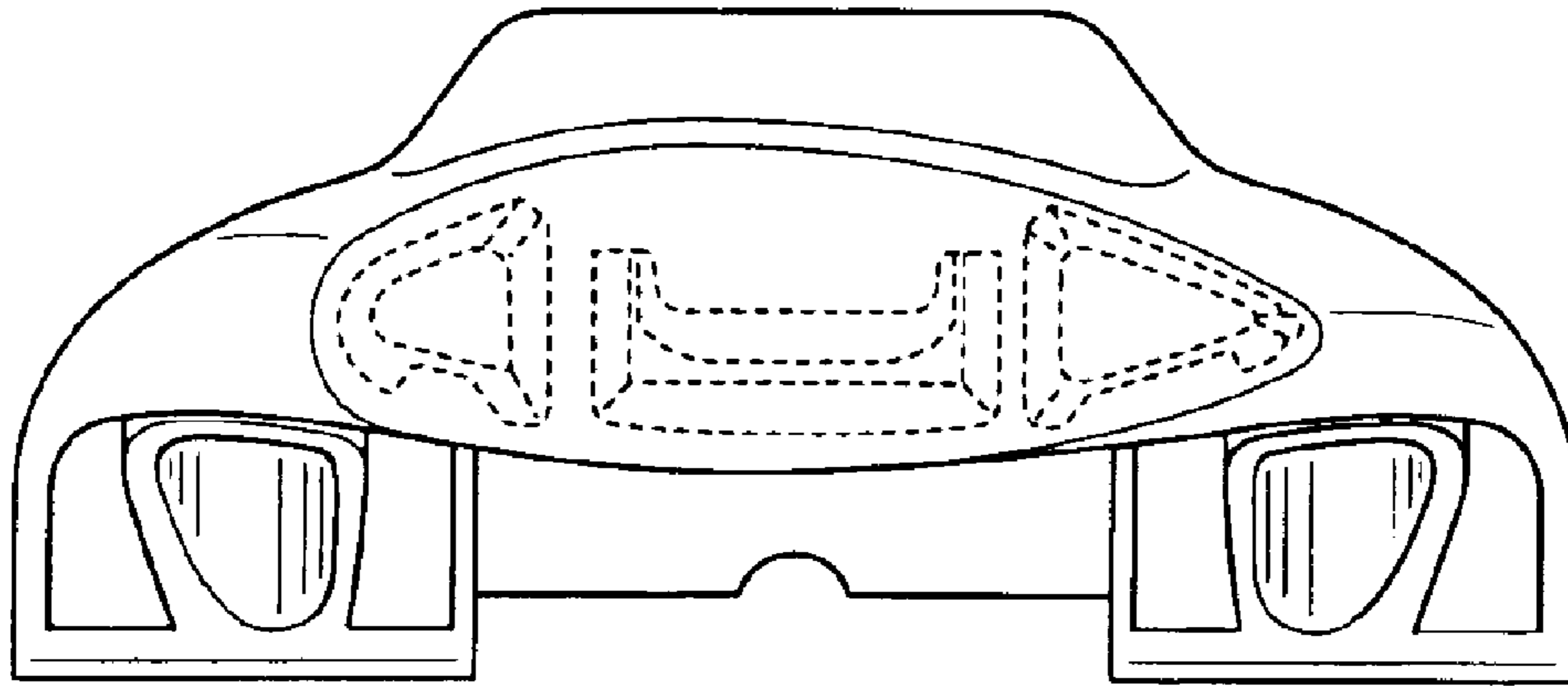


FIG. 2

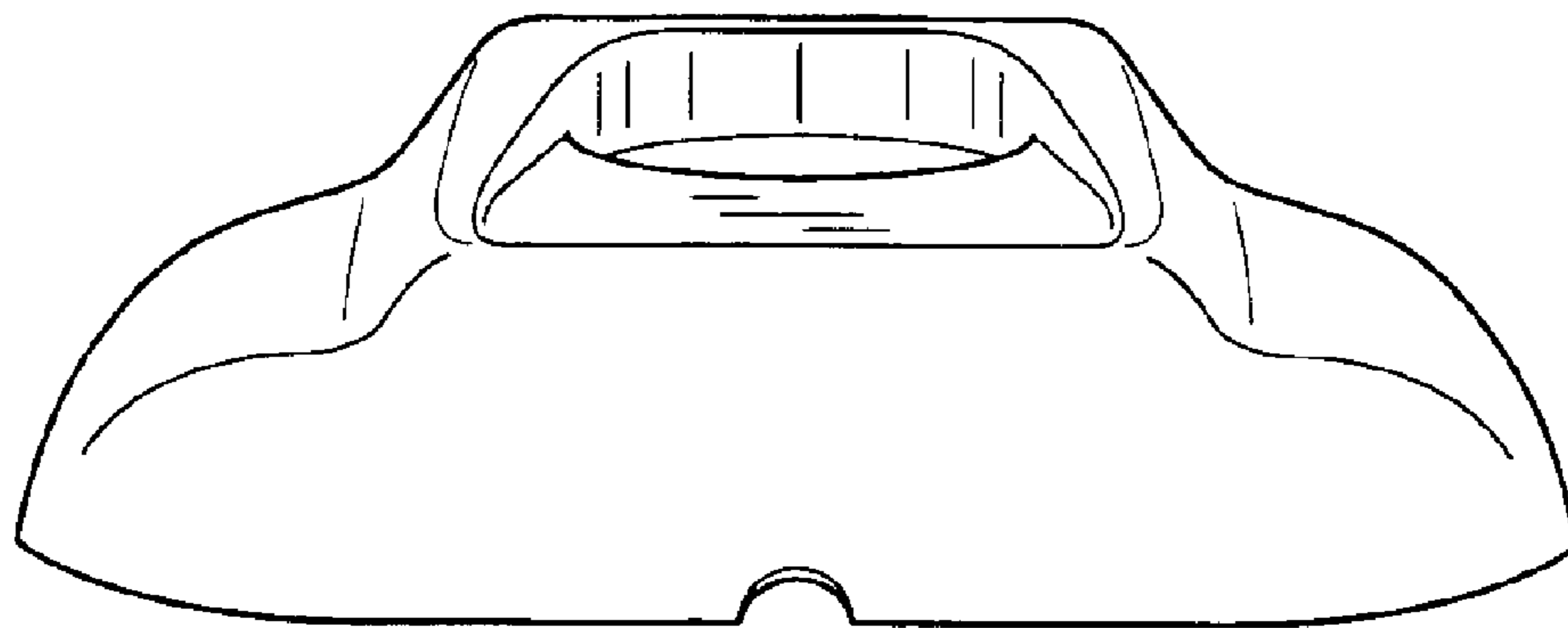


FIG. 3

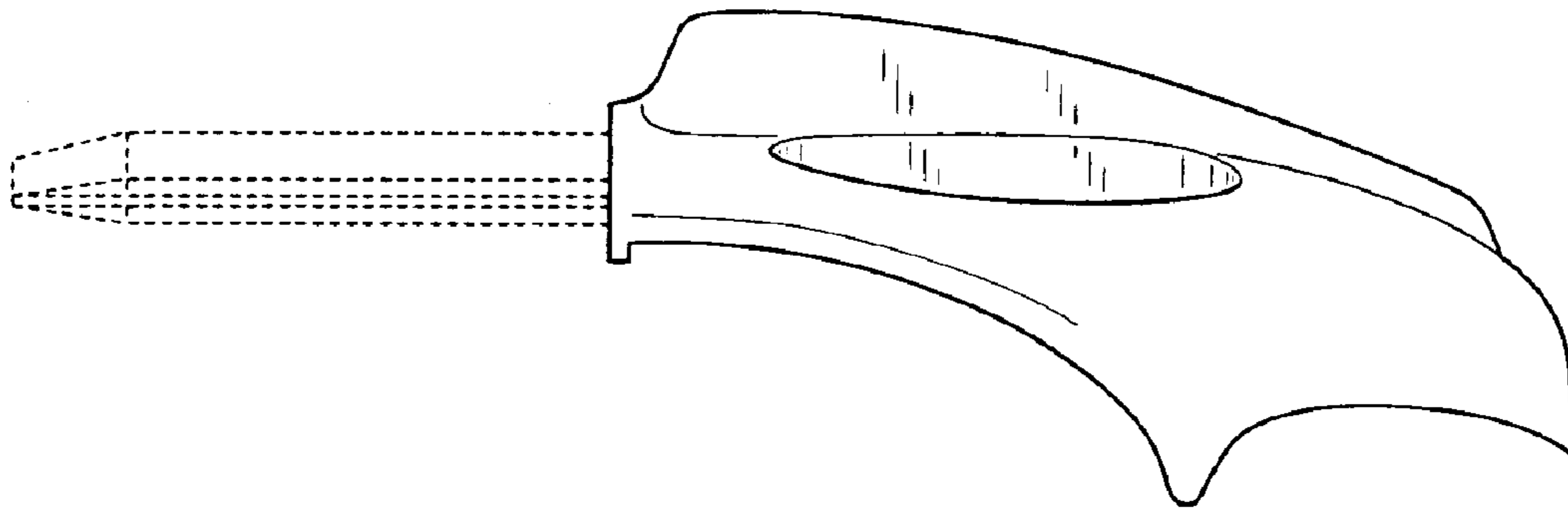


FIG. 4

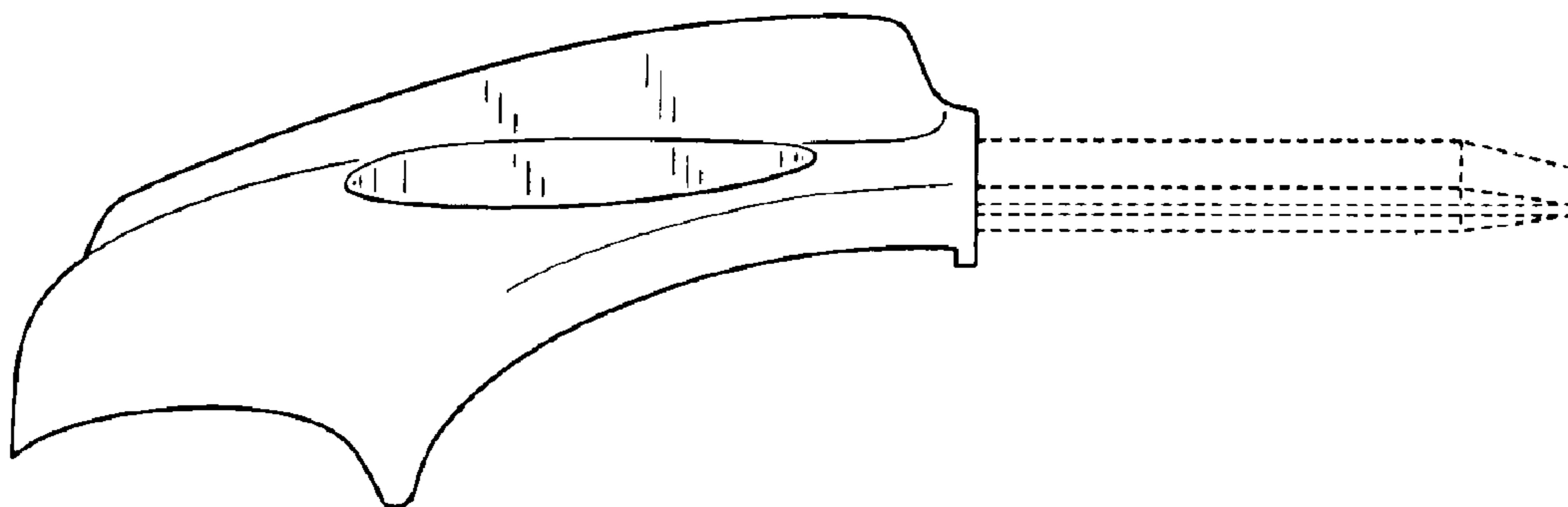


FIG. 5

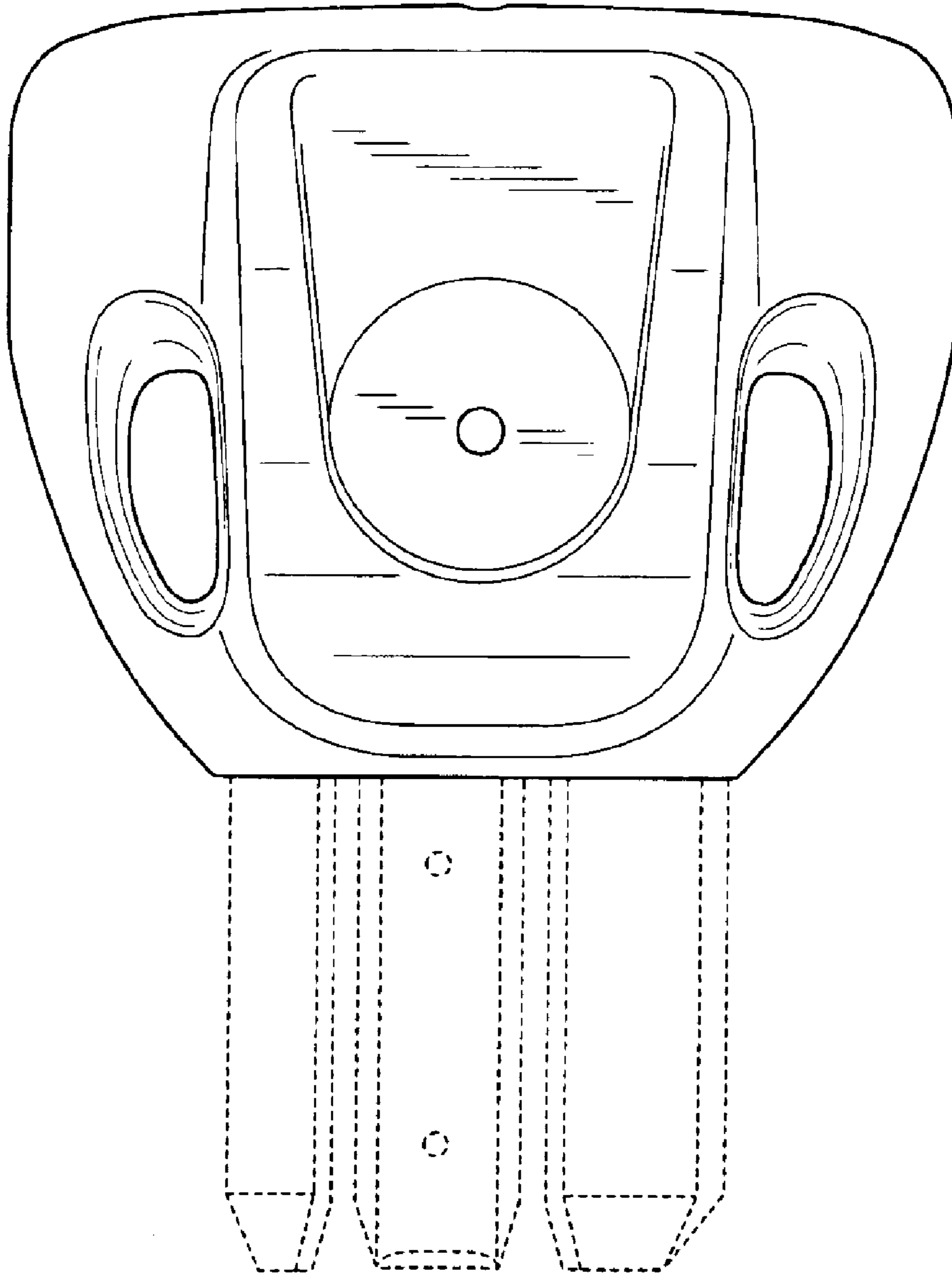


FIG. 6

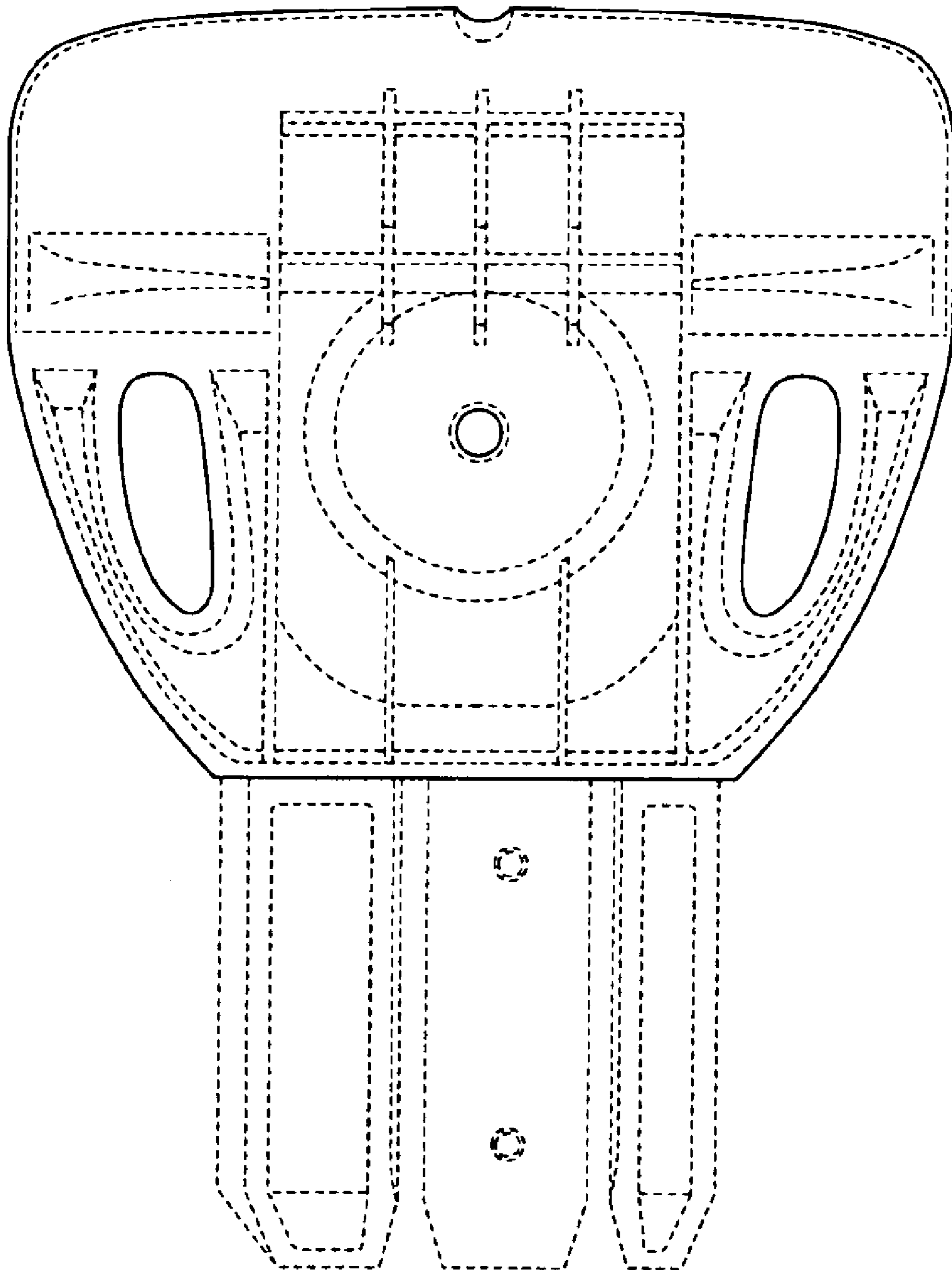


FIG. 7