



US00D509470S

(12) **United States Design Patent**  
**Weir et al.**

(10) **Patent No.: US D509,470 S**

(45) **Date of Patent: \*\* Sep. 13, 2005**

(54) **MOTORIZED VIEWING BOARD**

D401,547 S \* 11/1998 Karliner ..... D12/316

\* cited by examiner

(76) Inventors: **Eugene Weir**, c/o 1301 Beaufort Drive,  
Burlington, Ontario (CA), L7P 4V9;  
**Barry Campbell**, c/o 1301 Beaufort  
Drive, Burlington, Ontario (CA), L7P  
4V9

*Primary Examiner*—Holly Baynham  
*Assistant Examiner*—Cynthia M. Chin

(\*\*) Term: **14 Years**

(57) **CLAIM**

The ornamental design for a motorized viewing board, as shown and described.

(21) Appl. No.: **29/192,211**

**DESCRIPTION**

(22) Filed: **Oct. 22, 2003**

FIG. 1 is a top plan view of the motorized viewing board used by a person shown in dashed lines.

(51) **LOC (8) Cl.** ..... **12-06**

(52) **U.S. Cl.** ..... **D12/316**

(58) **Field of Search** ..... D12/316, 300,  
D12/302, 307, 317; 114/15, 16; 405/4,  
5

FIG. 2 is a side plan view of the motorized viewing board shown together with a person using the board in dashed lines.

FIG. 3 is a top perspective view of the motorized viewing board.

FIG. 4 is a bottom perspective view of the motorized viewing board; and,

FIG. 5 is a rear perspective view of the motorized viewing board.

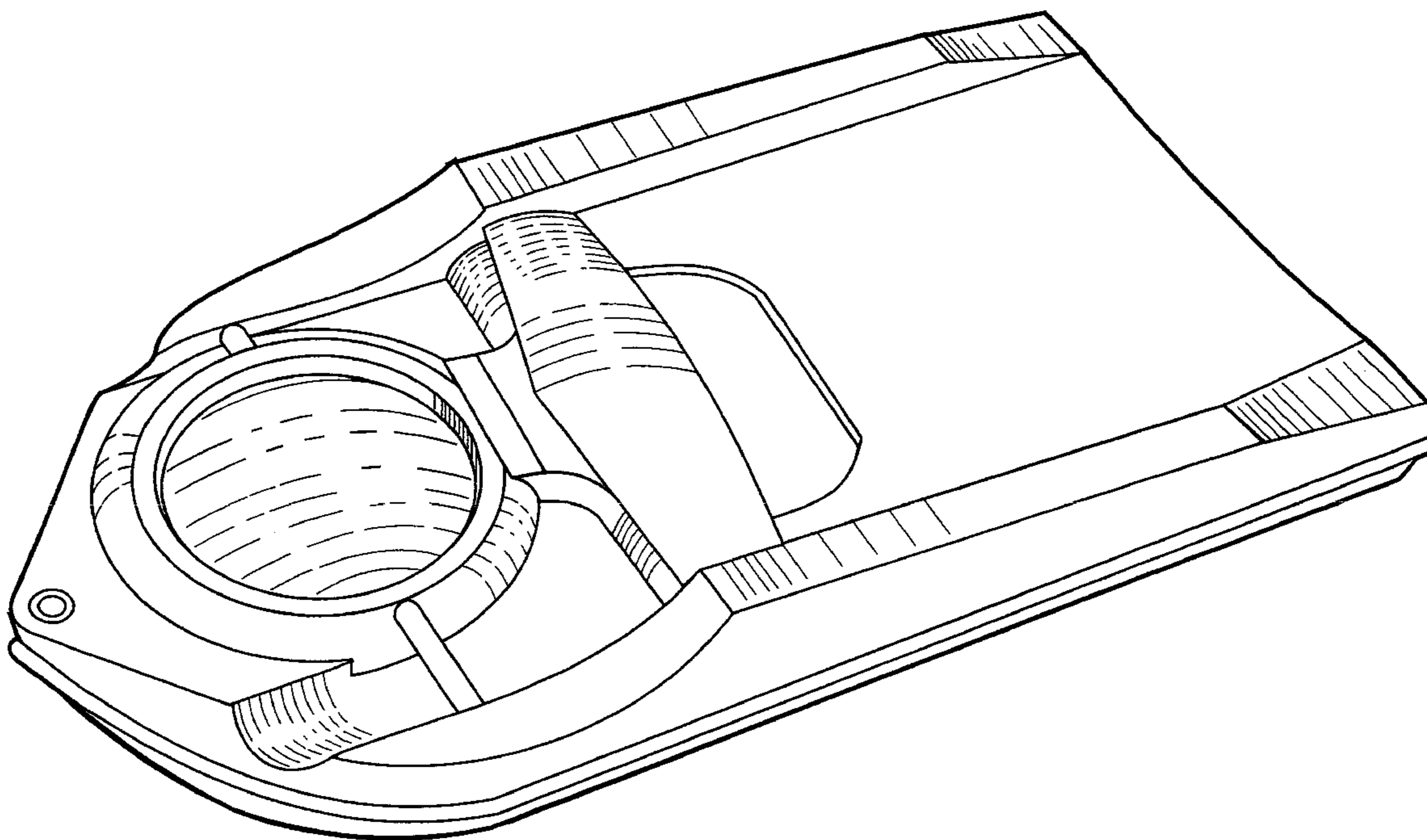
The broken lines depicting a person are for illustrative purposes only and form no part of the claimed design.

(56) **References Cited**

**U.S. PATENT DOCUMENTS**

D203,365 S \* 12/1965 Heston ..... D21/803  
5,101,752 A \* 4/1992 Smollar et al. .... 114/345  
D349,744 S \* 8/1994 Wolfe ..... D21/803

**1 Claim, 5 Drawing Sheets**



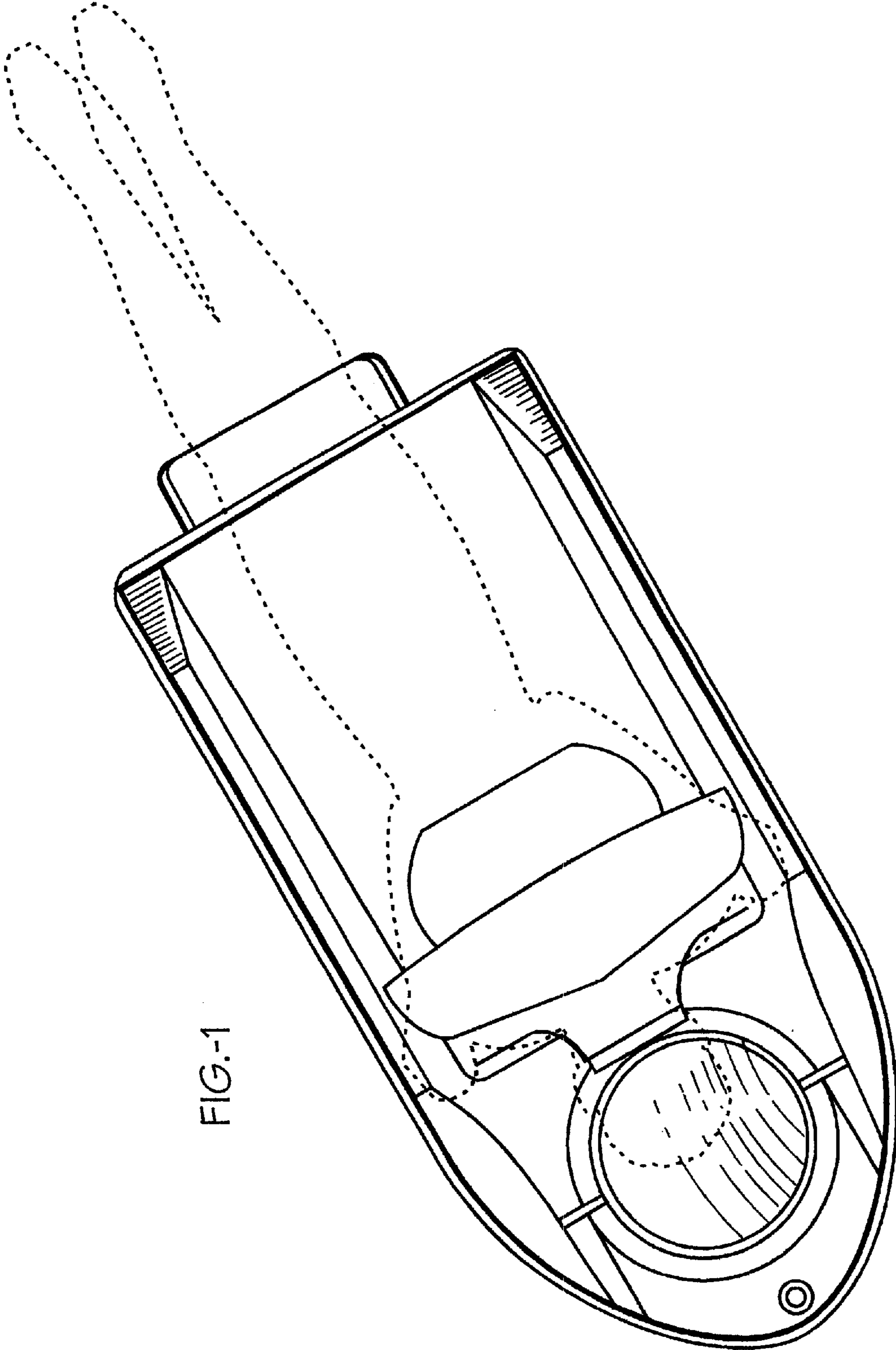


FIG.-1

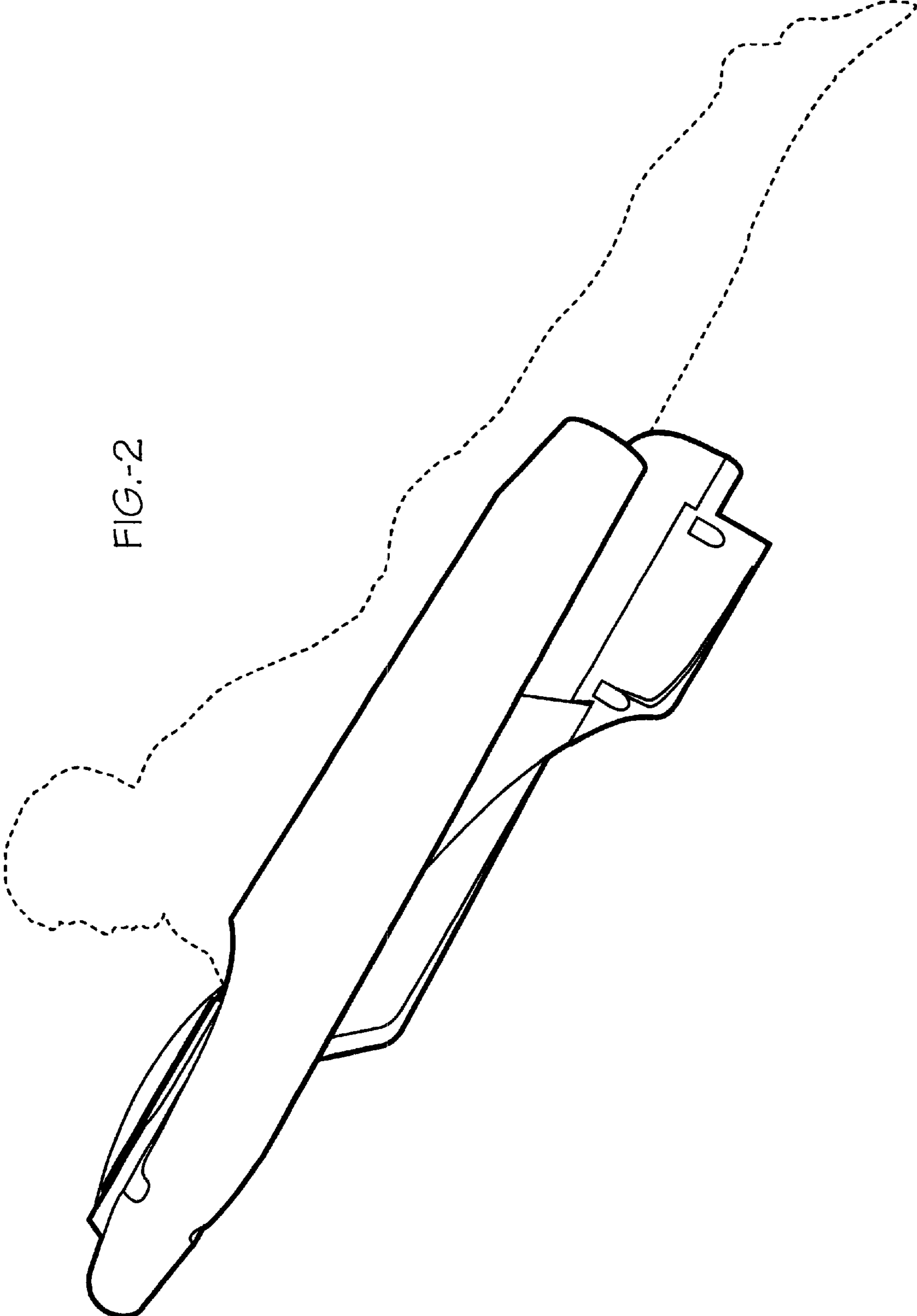


FIG.-2

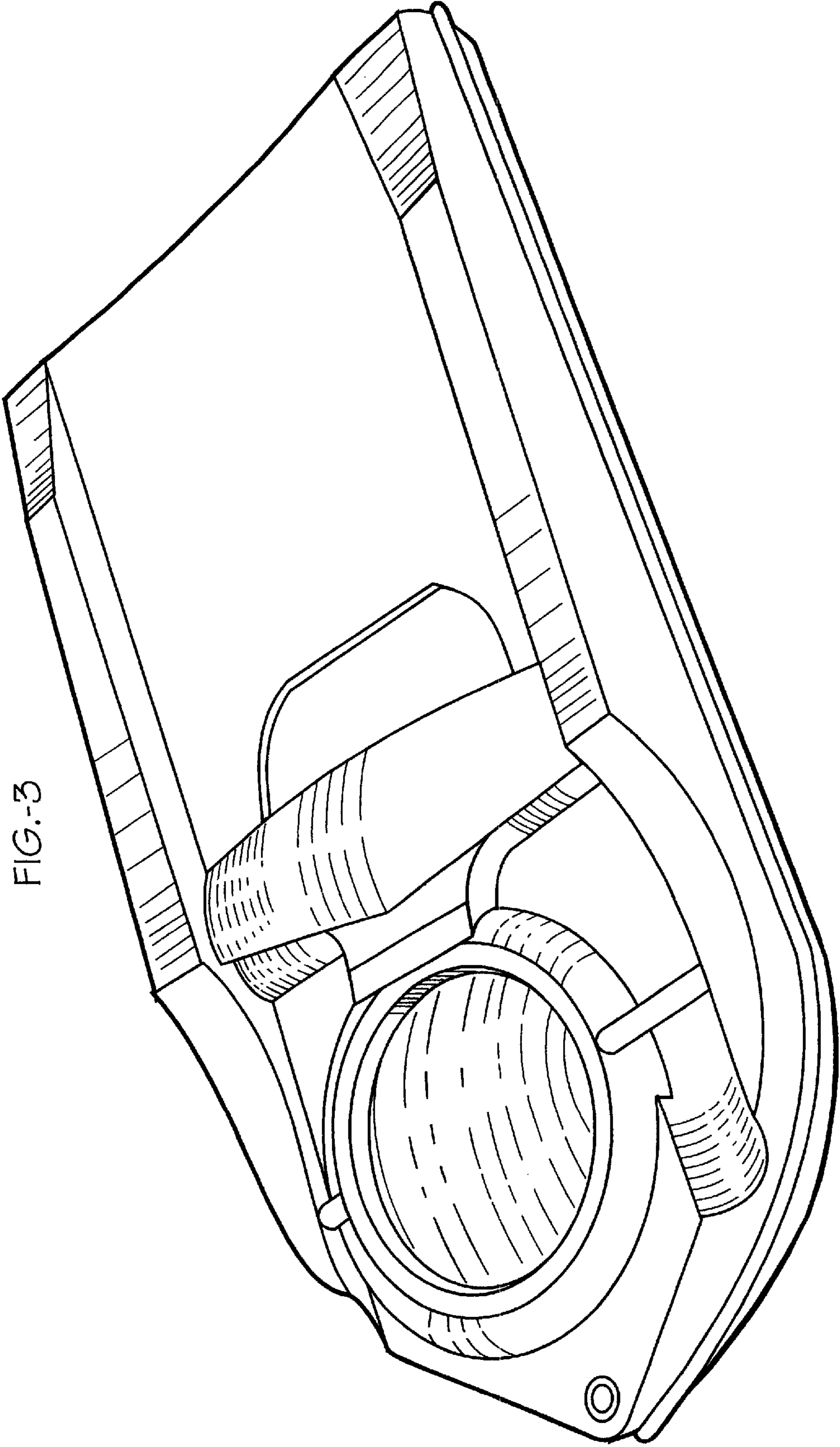
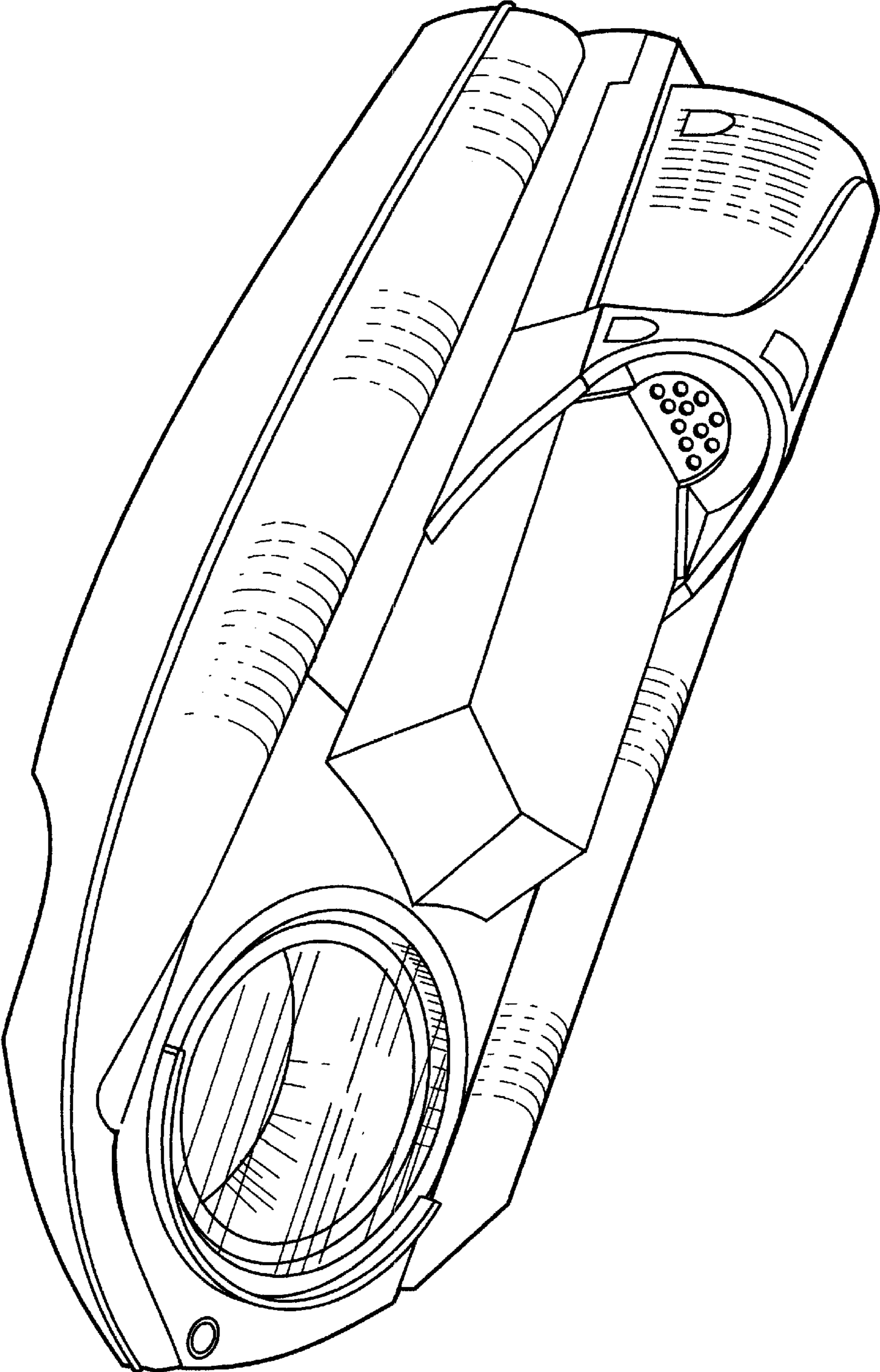


FIG.-3

FIG.- 4



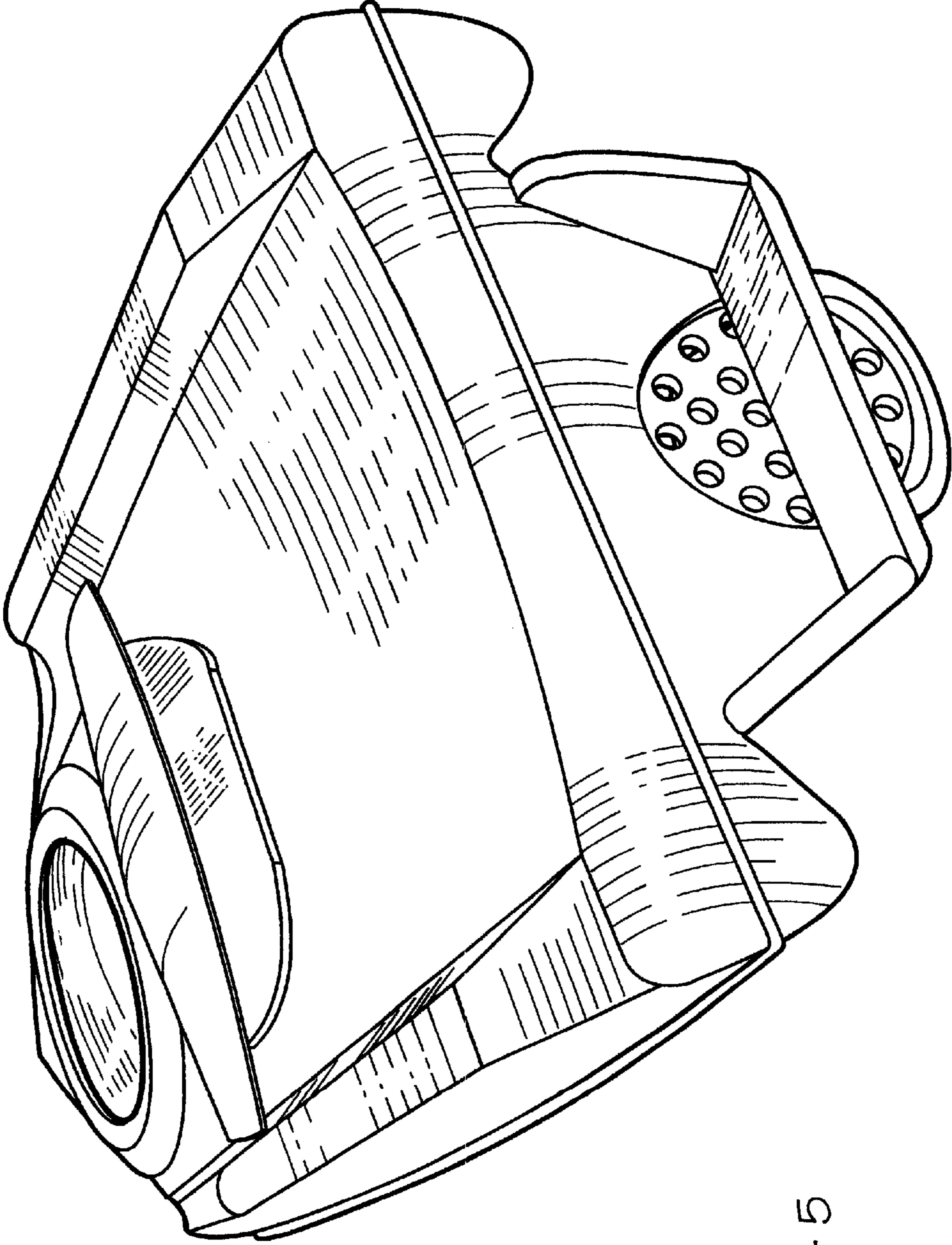


FIG.- 5