

US00D509468S

(12) **United States Design Patent**
Viger

(10) **Patent No.:** **US D509,468 S**

(45) **Date of Patent:** **** Sep. 13, 2005**

(54) **GAS TANK HOLDER**

(75) **Inventor:** **Denis Viger, Magog (CA)**

(73) **Assignee:** **Les Aciers Robond Inc., Magog (CA)**

(**) **Term:** **14 Years**

(21) **Appl. No.:** **29/190,687**

(22) **Filed:** **Sep. 24, 2003**

(51) **LOC (8) Cl.** **12-06**

(52) **U.S. Cl.** **D12/223**

(58) **Field of Search** **D12/223, 162;**
D8/349, 354, 373; 248/317, 279.1, 329

(56) **References Cited**

U.S. PATENT DOCUMENTS

D226,604 S	*	4/1973	Henson	D12/223
D244,255 S	*	5/1977	Snyder	D8/355
D369,580 S	*	5/1996	Hartwig	D12/162
D382,849 S	*	8/1997	Lindblom et al.	D12/223
D389,450 S	*	1/1998	Wilson	D12/223

D397,067 S	*	8/1998	McCoy et al.	D12/162
D397,667 S	*	9/1998	White	D12/223
D423,910 S	*	5/2000	Cyrell	D8/349
D429,624 S	*	8/2000	Johnson	D8/354
D462,045 S	*	8/2002	Rue	D12/223

* cited by examiner

Primary Examiner—Melody N. Brown

(74) *Attorney, Agent, or Firm*—George A. Seaby

(57) **CLAIM**

The ornamental design for a gas tank holder, as shown and described.

DESCRIPTION

FIG. 1 is a top and side perspective view of a gas tank holder showing my new design;

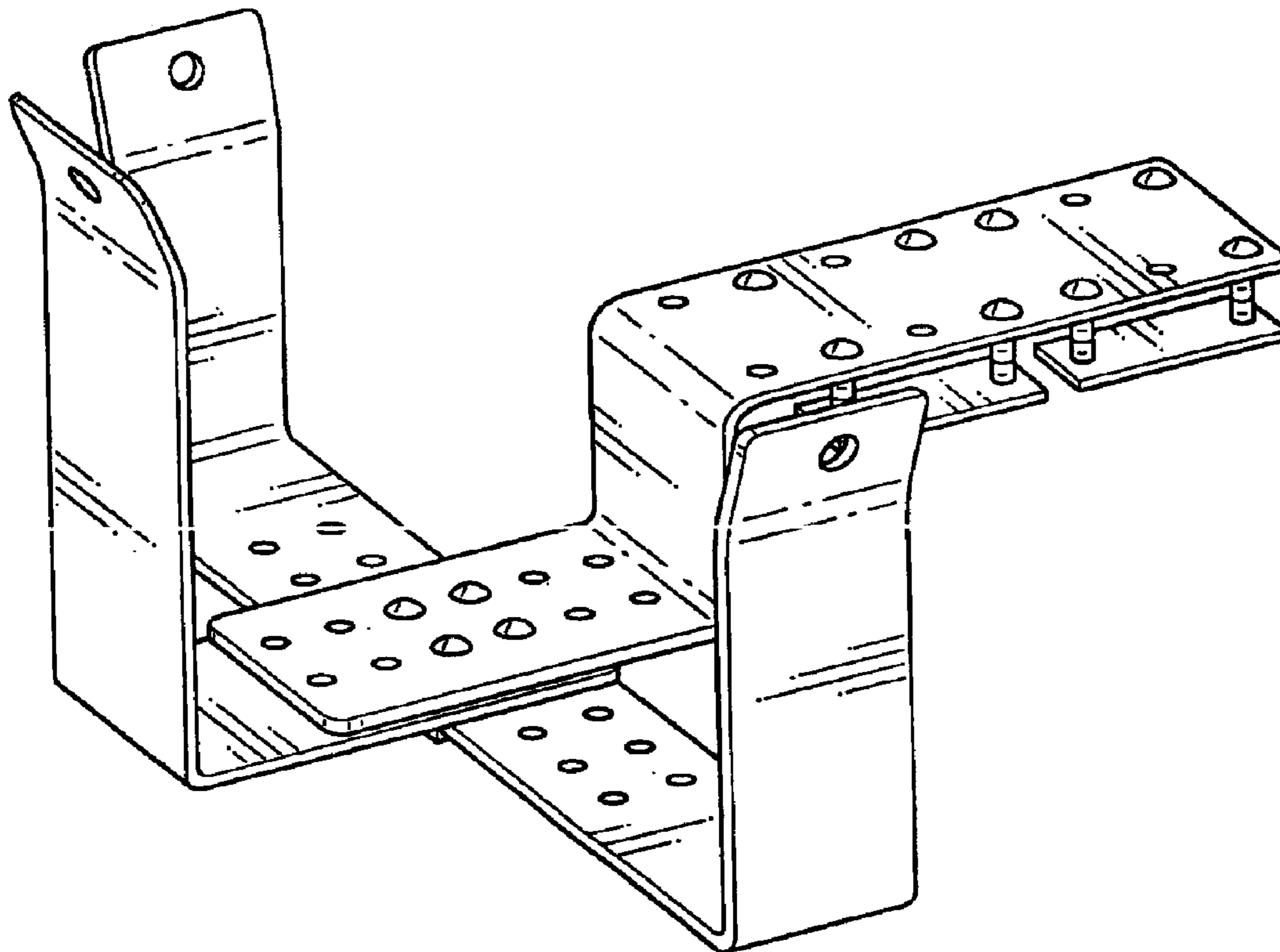
FIG. 2 is a top plan view thereof;

FIG. 3 is a bottom plan view thereof;

FIG. 4 is a side elevational view thereof; and,

FIG. 5 is an opposite side elevational view thereof.

1 Claim, 3 Drawing Sheets



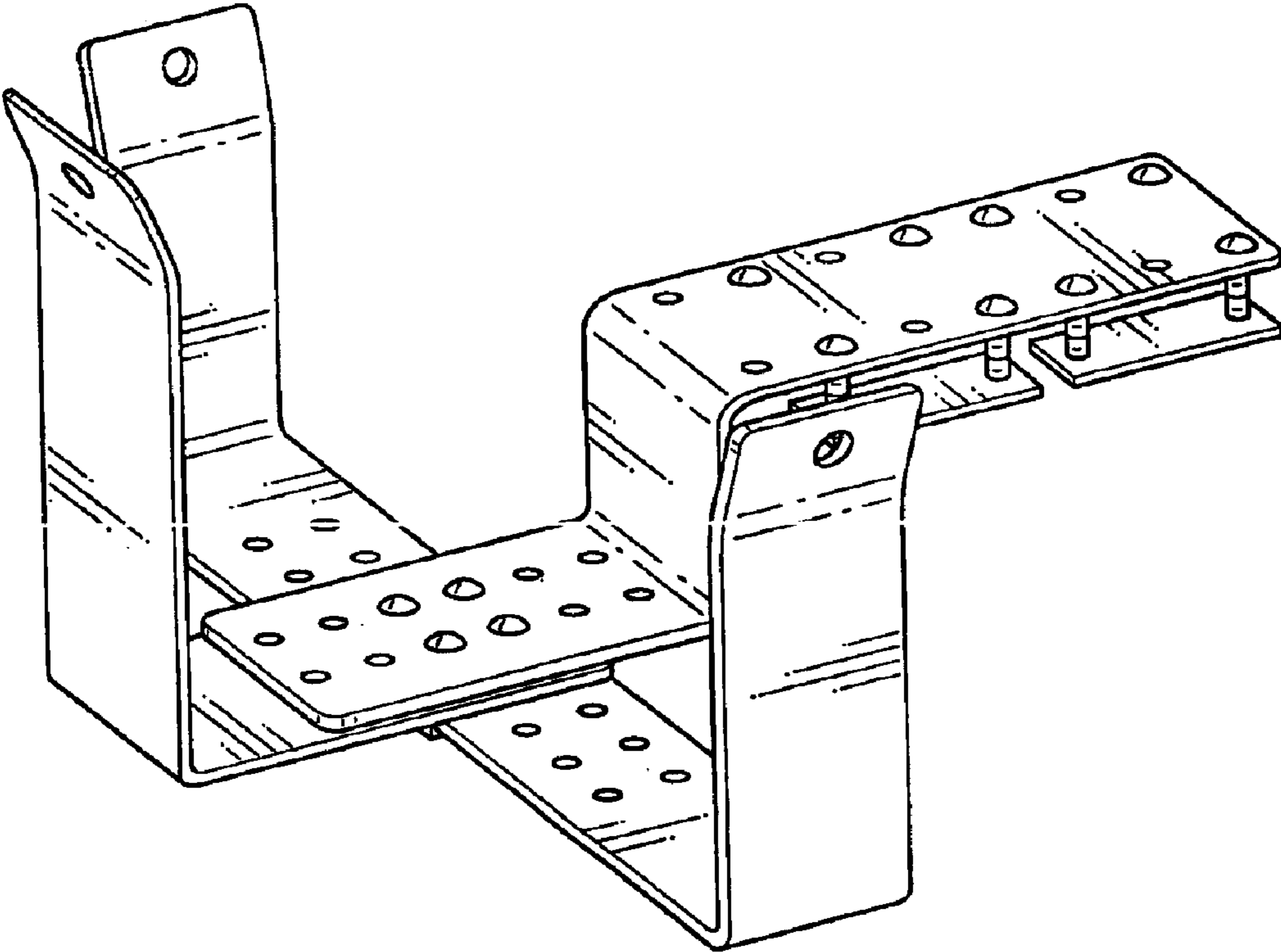


FIG. 1

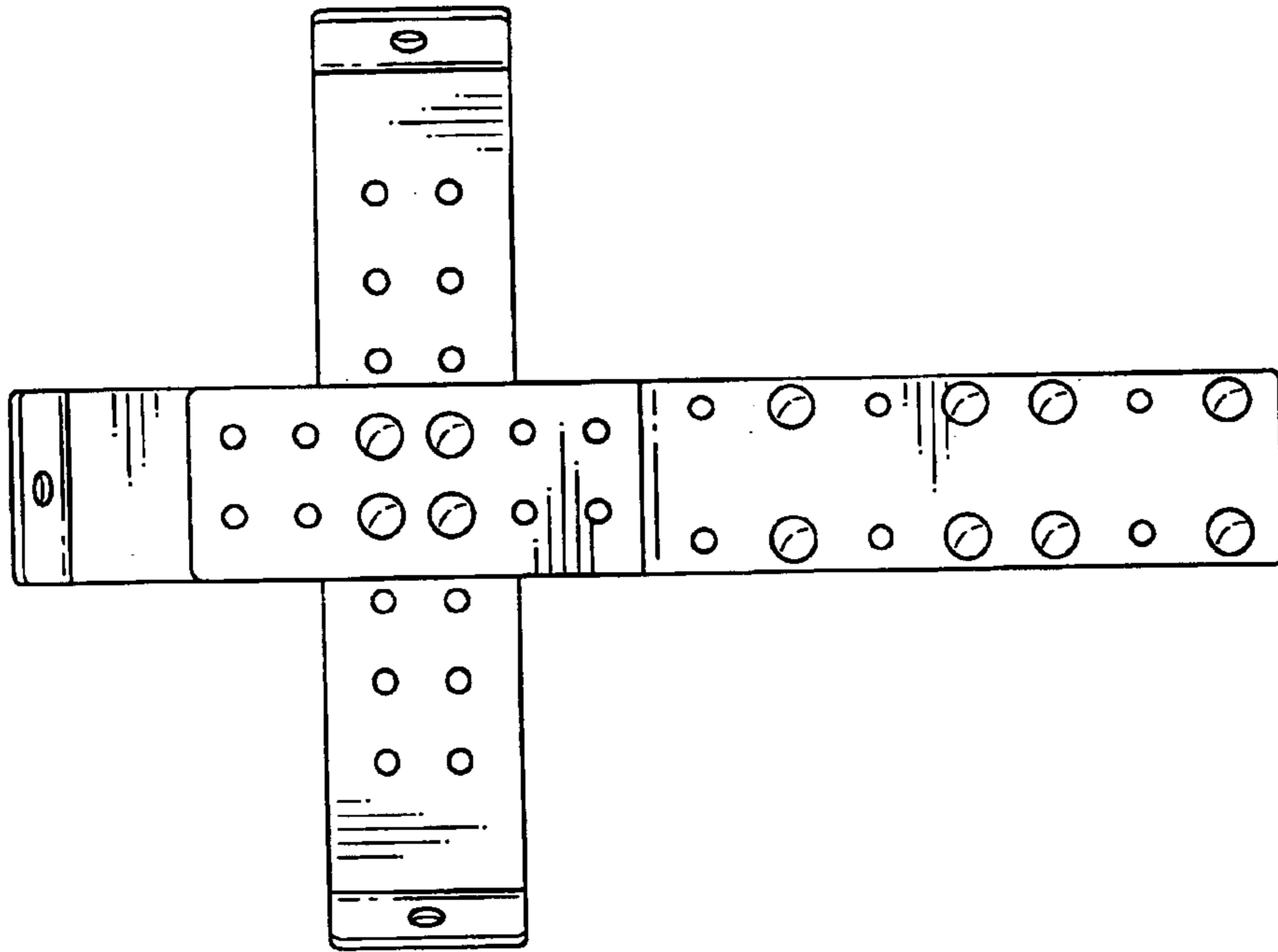


FIG. 2

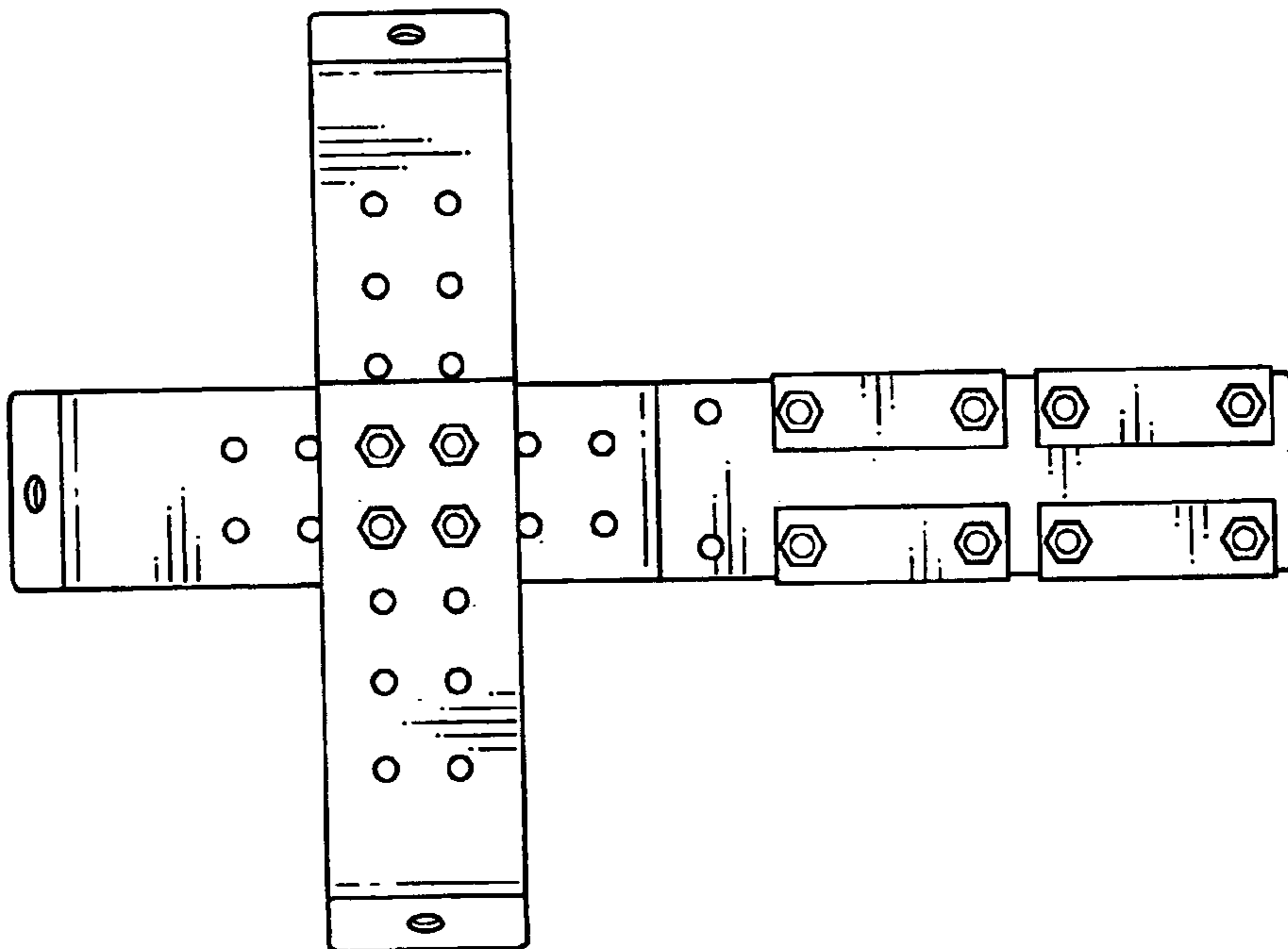


FIG. 3

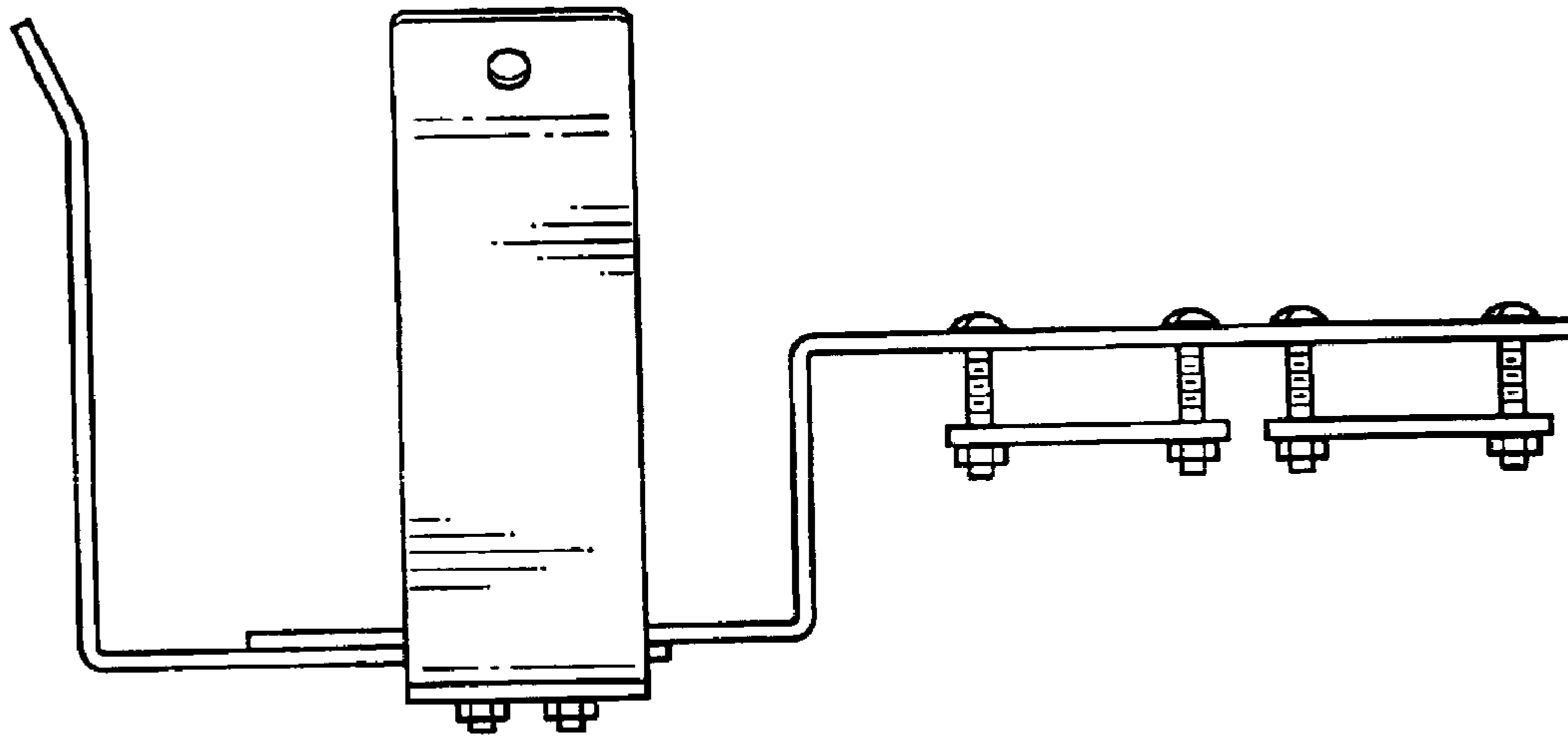


FIG. 4

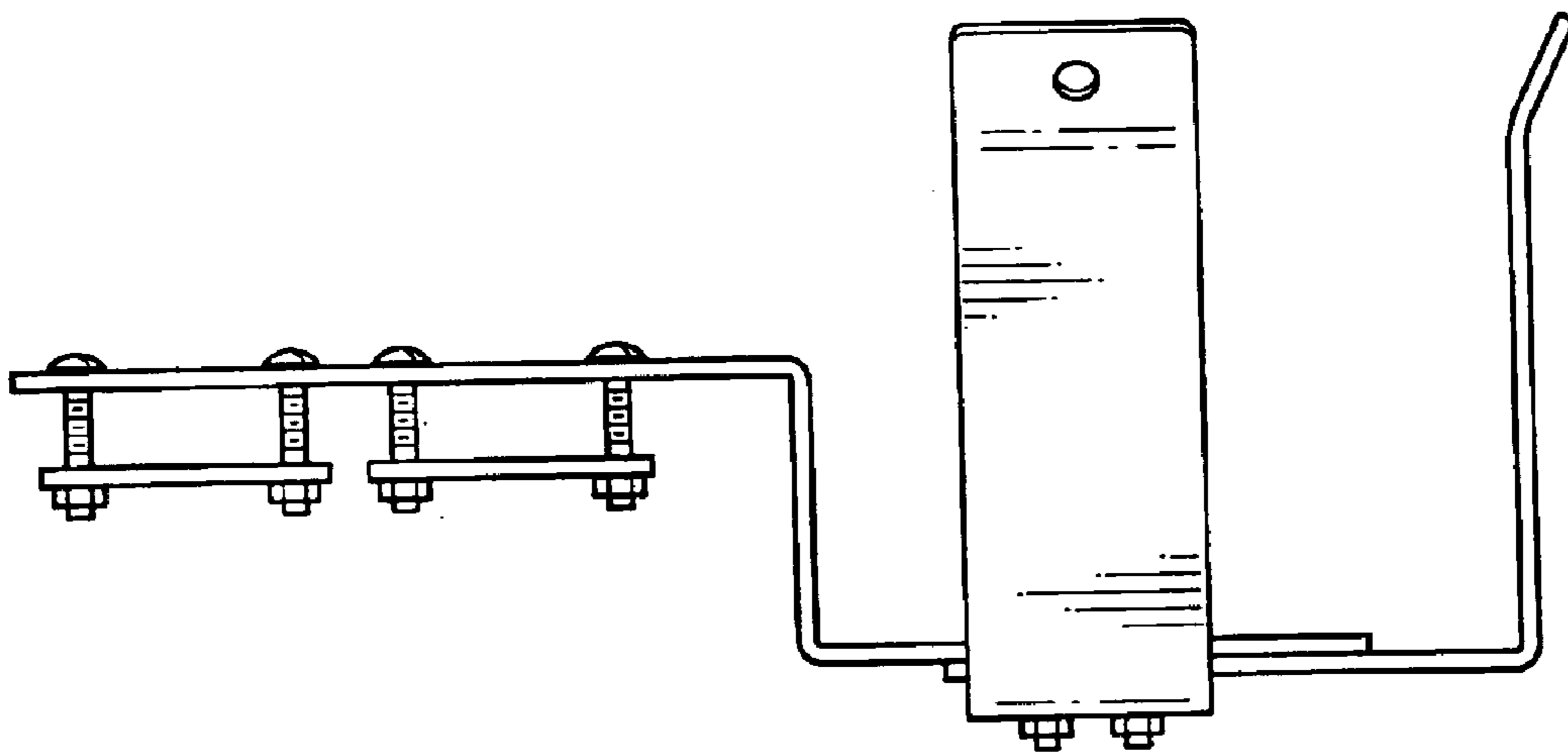


FIG. 5