

US00D509467S

(12) **United States Design Patent**
Gabath

(10) **Patent No.: US D509,467 S**

(45) **Date of Patent: ** Sep. 13, 2005**

(54) **FRONT FACE OF A VEHICLE WHEEL**

(75) **Inventor: Peter Gabath, Jesenwang (DE)**

(73) **Assignee: Bayerische Motoren Werke
Aktiengesellschaft, Munich (DE)**

(**) **Term: 14 Years**

(21) **Appl. No.: 29/213,700**

(22) **Filed: Sep. 22, 2004**

(30) **Foreign Application Priority Data**

Mar. 23, 2004 (DE) 404 01 901

(51) **LOC (8) Cl. 12-16**

(52) **U.S. Cl. D12/211**

(58) **Field of Search D12/204-213;
301/37.101, 64.101, 65**

(56) **References Cited**

U.S. PATENT DOCUMENTS

- D402,951 S * 12/1998 Wechner D12/211
- D432,071 S * 10/2000 Brown D12/211
- D451,067 S * 11/2001 Frizzi D12/211

- D471,504 S * 3/2003 Laengerer D12/211
- D472,865 S * 4/2003 Wechner D12/211
- D479,178 S * 9/2003 Lai D12/211
- D493,764 S * 8/2004 Sulahian D12/211
- D494,917 S * 8/2004 Pollmann D12/211
- D499,686 S * 12/2004 Song D12/211
- D500,005 S * 12/2004 van Hooydonk D12/211
- D500,726 S * 1/2005 Hettler D12/211

* cited by examiner

Primary Examiner—Stacia Cadmus

(74) *Attorney, Agent, or Firm*—Crowell & Moring LLP

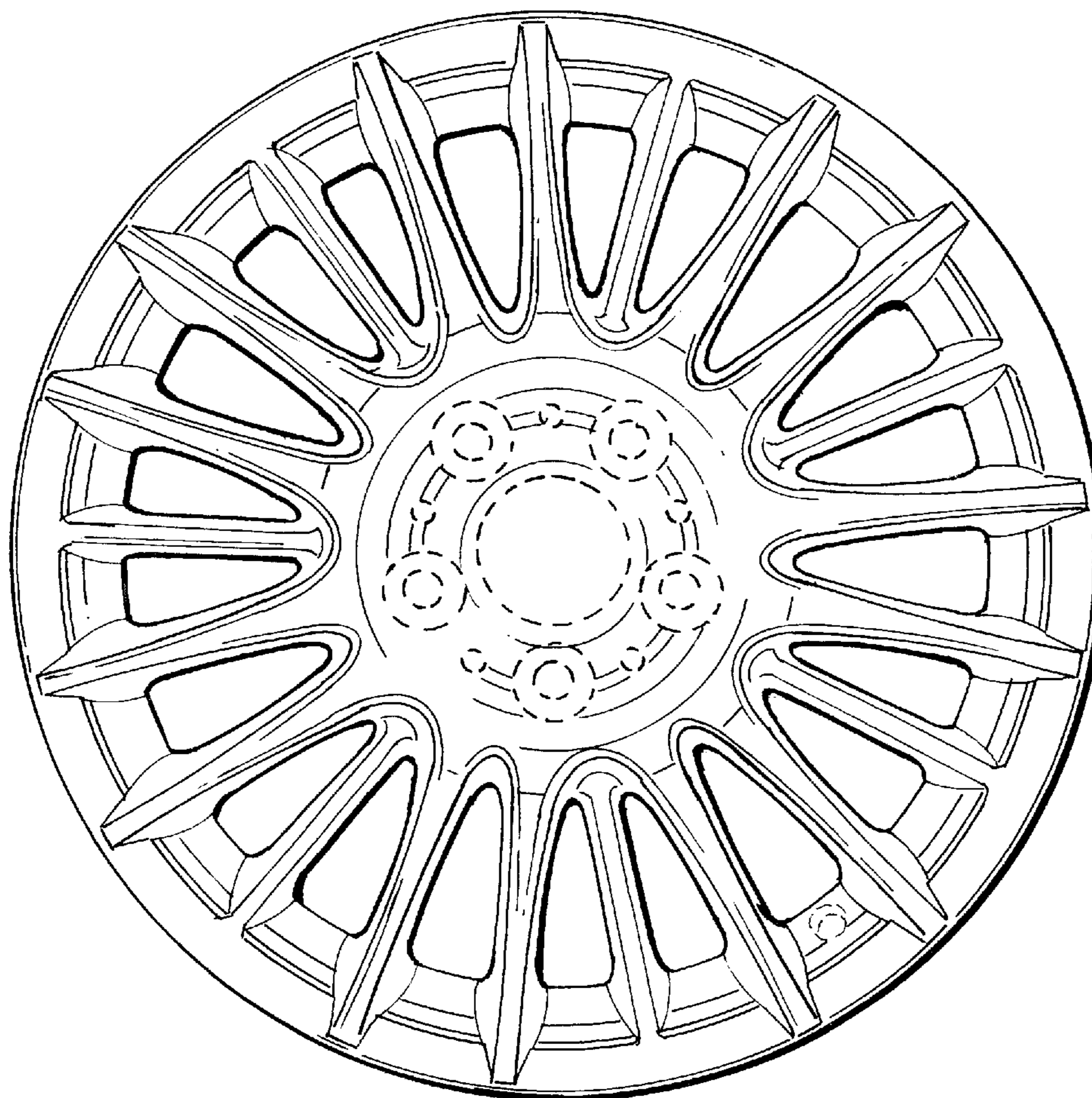
(57) **CLAIM**

The ornamental design for a front face of a vehicle wheel, as shown and described.

DESCRIPTION

FIG. 1 is a front view of a front face of a vehicle wheel according to my novel design; and, FIG. 2 is a perspective view of the front face of a vehicle wheel according to my novel design. The broken lines are for illustrative purposes only and form no part of the claimed design.

1 Claim, 1 Drawing Sheet



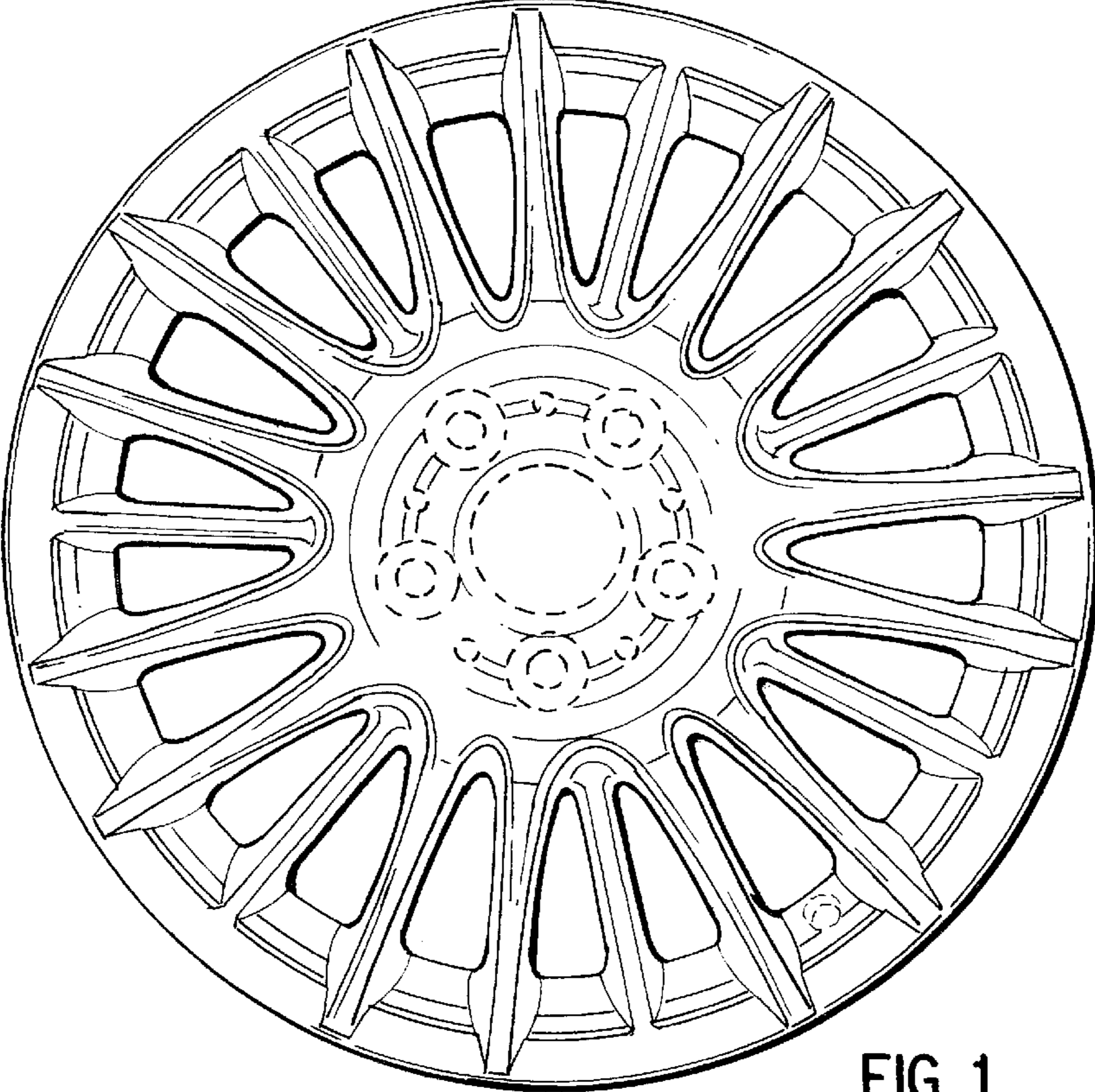


FIG. 1

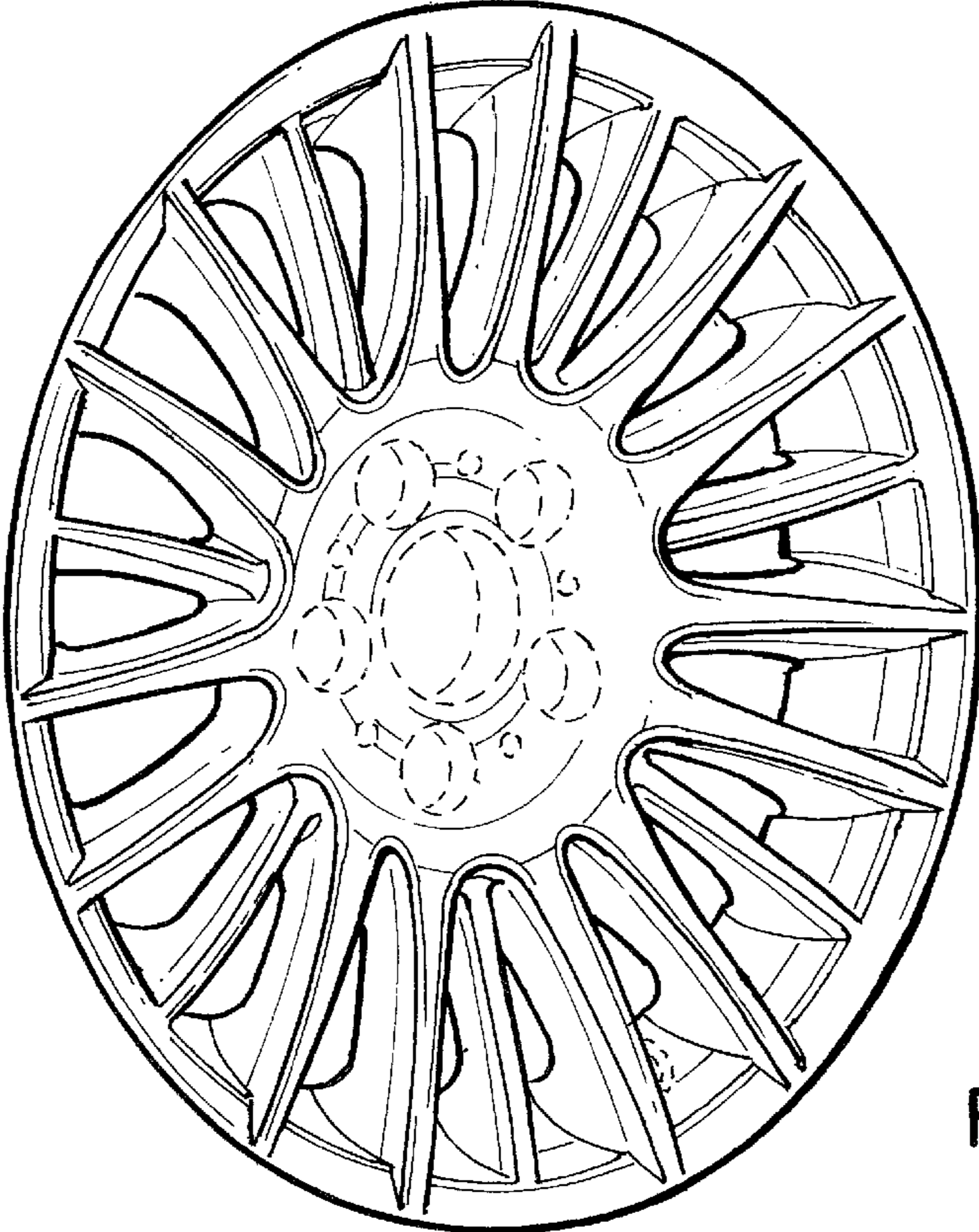


FIG. 2