

US00D509466S

(12) **United States Design Patent**
Marchese et al.

(10) **Patent No.:** **US D509,466 S**
(45) **Date of Patent:** **** Sep. 13, 2005**

(54) **SKID PLATE**

D488,748 S * 4/2004 Elwell D12/163
D489,298 S * 5/2004 Elwell D12/163

(75) Inventors: **Daniel Shea Marchese**, Lake Forest, CA (US); **Jennifer Lynn Marchese**, Lake Forest, CA (US)

* cited by examiner

Primary Examiner—Melody N. Brown

(73) Assignee: **Daniel S Marchese**, Lake Forest, CA (US)

(57) **CLAIM**

We claim the ornamental design for a skid plate, as shown and described.

(**) Term: **14 Years**

DESCRIPTION

(21) Appl. No.: **29/216,595**

FIG. 1 is a perspective view of a skid plate according to our invention.

(22) Filed: **Nov. 5, 2004**

FIG. 2 is a front view of the skid plate.

(51) **LOC (8) Cl.** **12-16**

FIG. 3 is a rear view of the skid plate.

(52) **U.S. Cl.** **D12/196**

FIG. 4 is a left side view of the skid plate.

(58) **Field of Search** D12/190, 191, D12/196, 107, 400, 14-16; D15/17, 31, 23; 296/57.1, 19, 180.1, 180.2

FIG. 5 is a right side view of the skid plate.

FIG. 6 is a top view of the skid plate; and,

FIG. 7 is a bottom view of the skid plate.

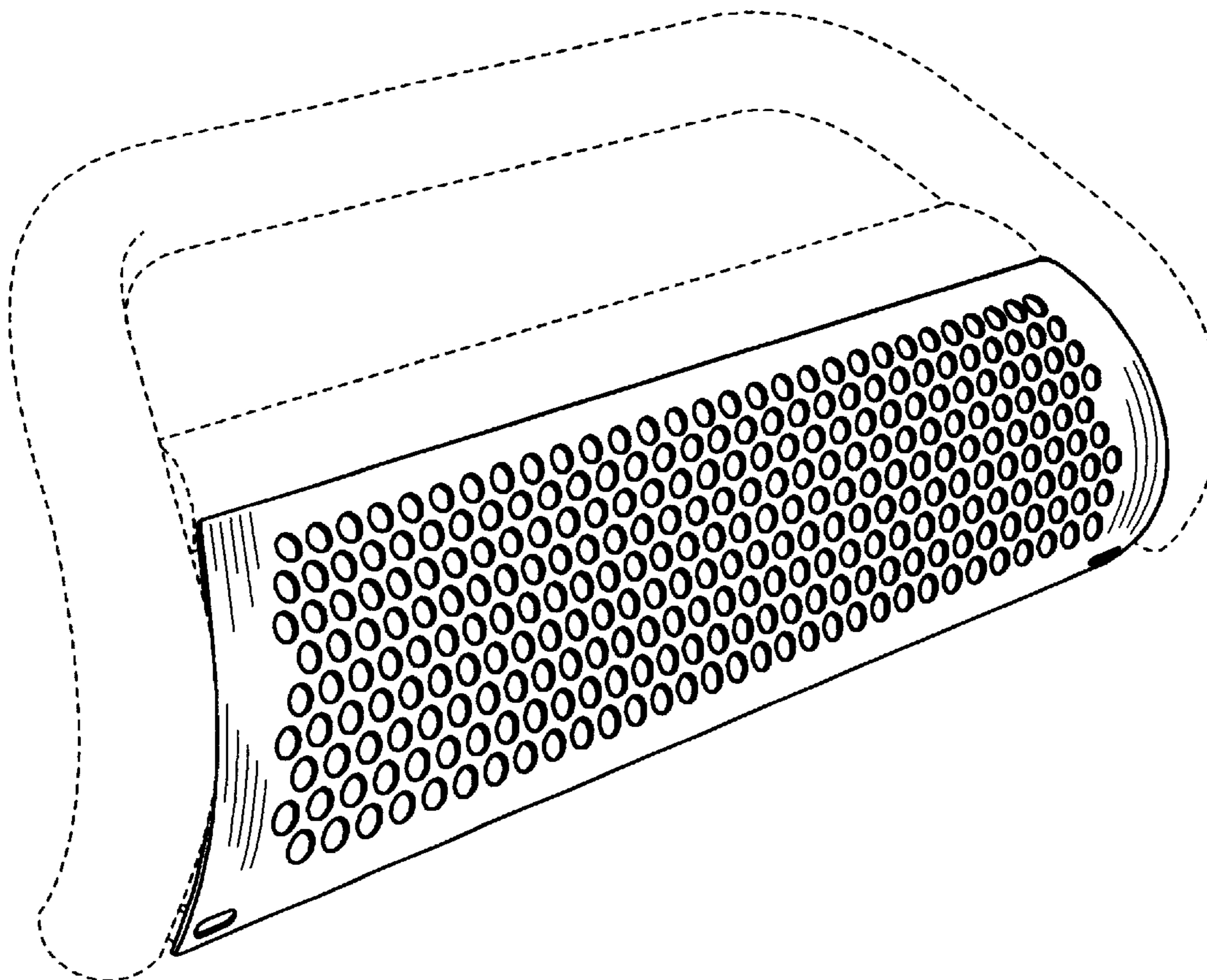
(56) **References Cited**

The skid plate of the invention is characterized by diagonally aligned holes approximately 3/4" inch in diameter. The broken lines are shown for illustrative purposes only and form no part of the claimed design.

U.S. PATENT DOCUMENTS

D474,726 S * 5/2003 Weber et al. D12/196
D487,041 S * 2/2004 Schlachter D12/196

1 Claim, 3 Drawing Sheets



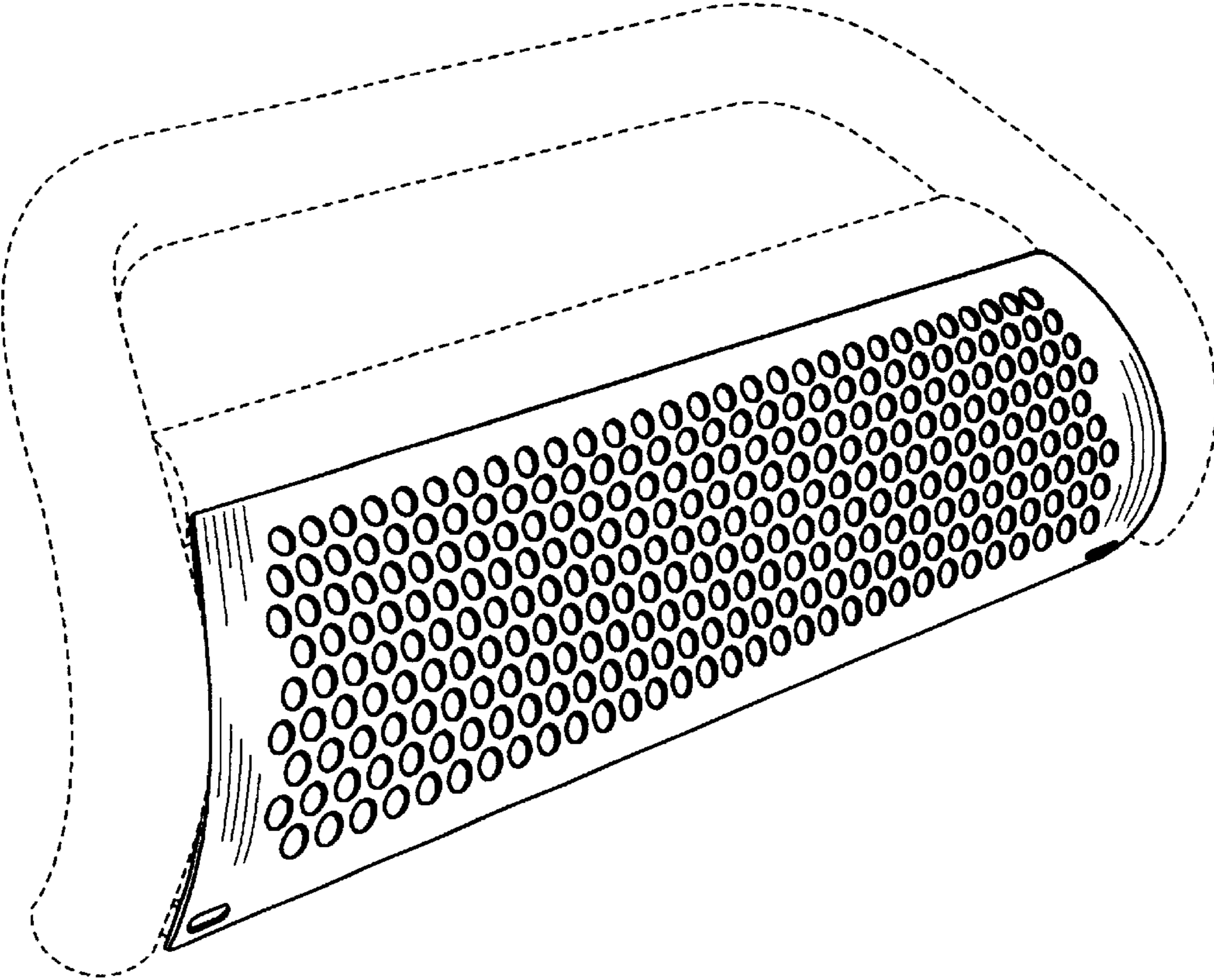


FIG. 1

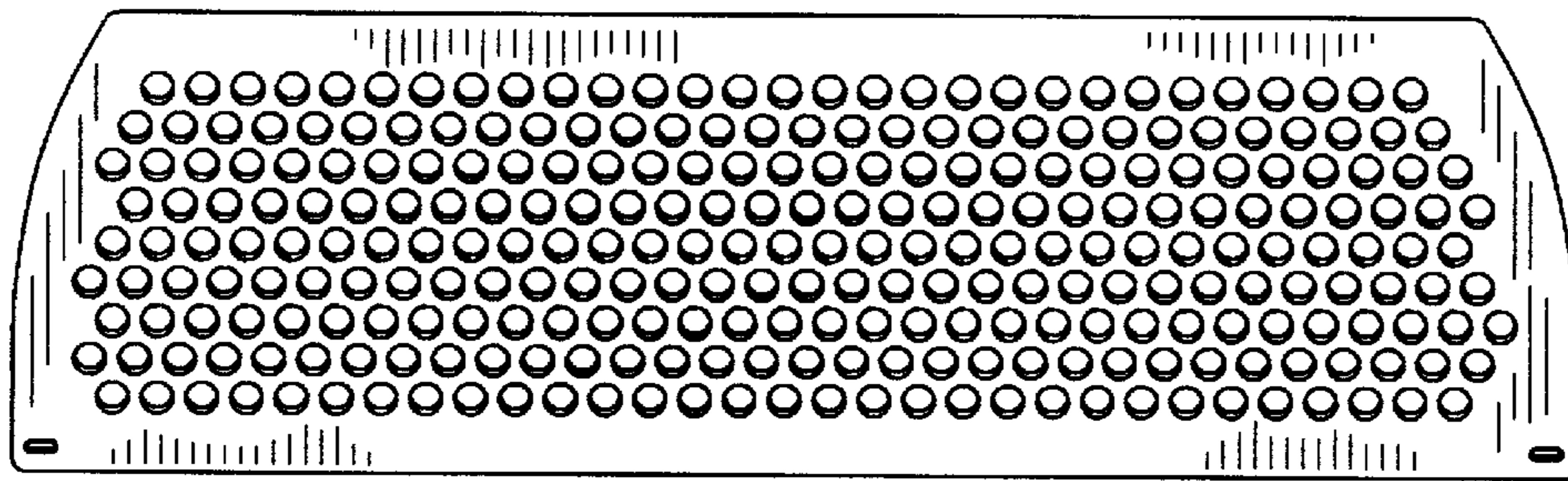


FIG. 2

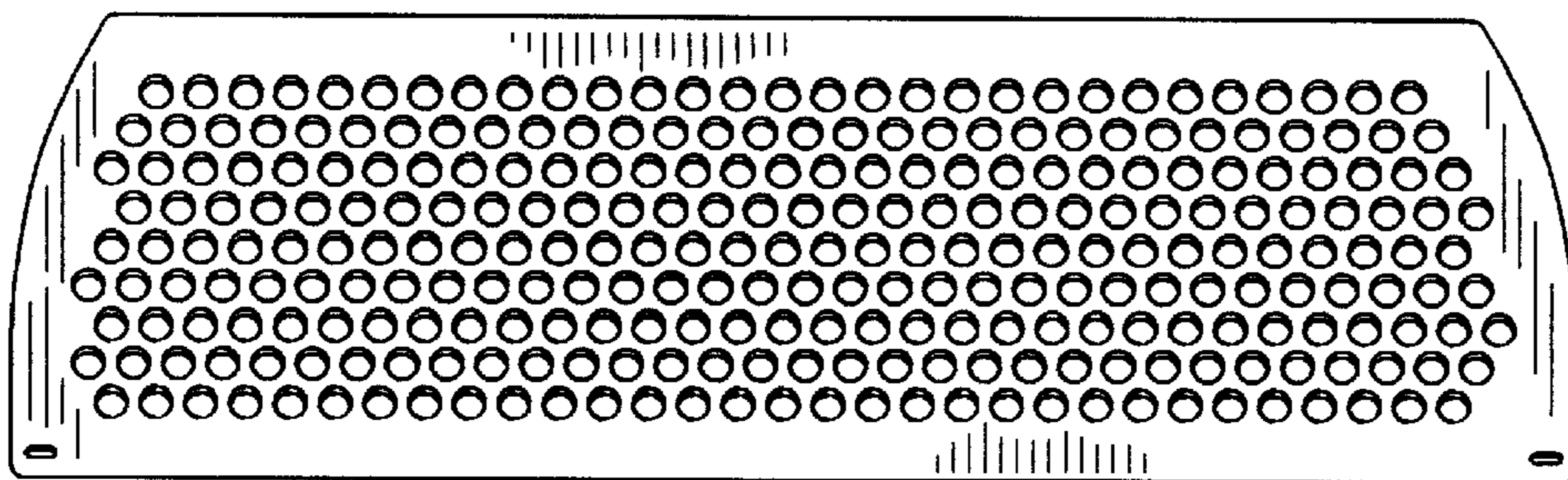


FIG. 3



FIG. 4



FIG. 5



FIG. 6



FIG. 7