

US00D509464S

(12) **United States Design Patent**  
**Conte**

(10) **Patent No.:** **US D509,464 S**  
(45) **Date of Patent:** **\*\* Sep. 13, 2005**

(54) **PAIR OF MOTORCYCLE HANDLE BAR RISERS**

(75) Inventor: **Bruno Conte**, Redondo Beach, CA (US)

(73) Assignee: **Honda Motor Co., Ltd.**, Tokyo (JP)

(\*\*) Term: **14 Years**

(21) Appl. No.: **29/198,677**

(22) Filed: **Feb. 3, 2004**

(51) **LOC (8) Cl.** ..... **12-11**

(52) **U.S. Cl.** ..... **D12/174**

(58) **Field of Search** ..... D12/110, 114,  
D12/174, 178; 74/551.3, 551.8; 180/219;  
280/279, 288.4

(56) **References Cited**

**PUBLICATIONS**

Drag Specialties FatBook 1999, handlebar risers on p. 475.\*

\* cited by examiner

*Primary Examiner*—Alan P. Douglas

*Assistant Examiner*—Linda Brooks

(74) *Attorney, Agent, or Firm*—Plumsea Law Group, LLC

(57) **CLAIM**

The ornamental design for a pair of motorcycle handle bar risers, as shown and described.

**DESCRIPTION**

FIG. 1 is a right frontal perspective view of a pair of motorcycle handle bar risers showing my new design, the left frontal perspective view being a mirror image;

FIG. 2 is a right rear perspective view thereof, the left rear perspective view being a mirror image;

FIG. 3 is a side elevational view thereof, the opposite side being a mirror image;

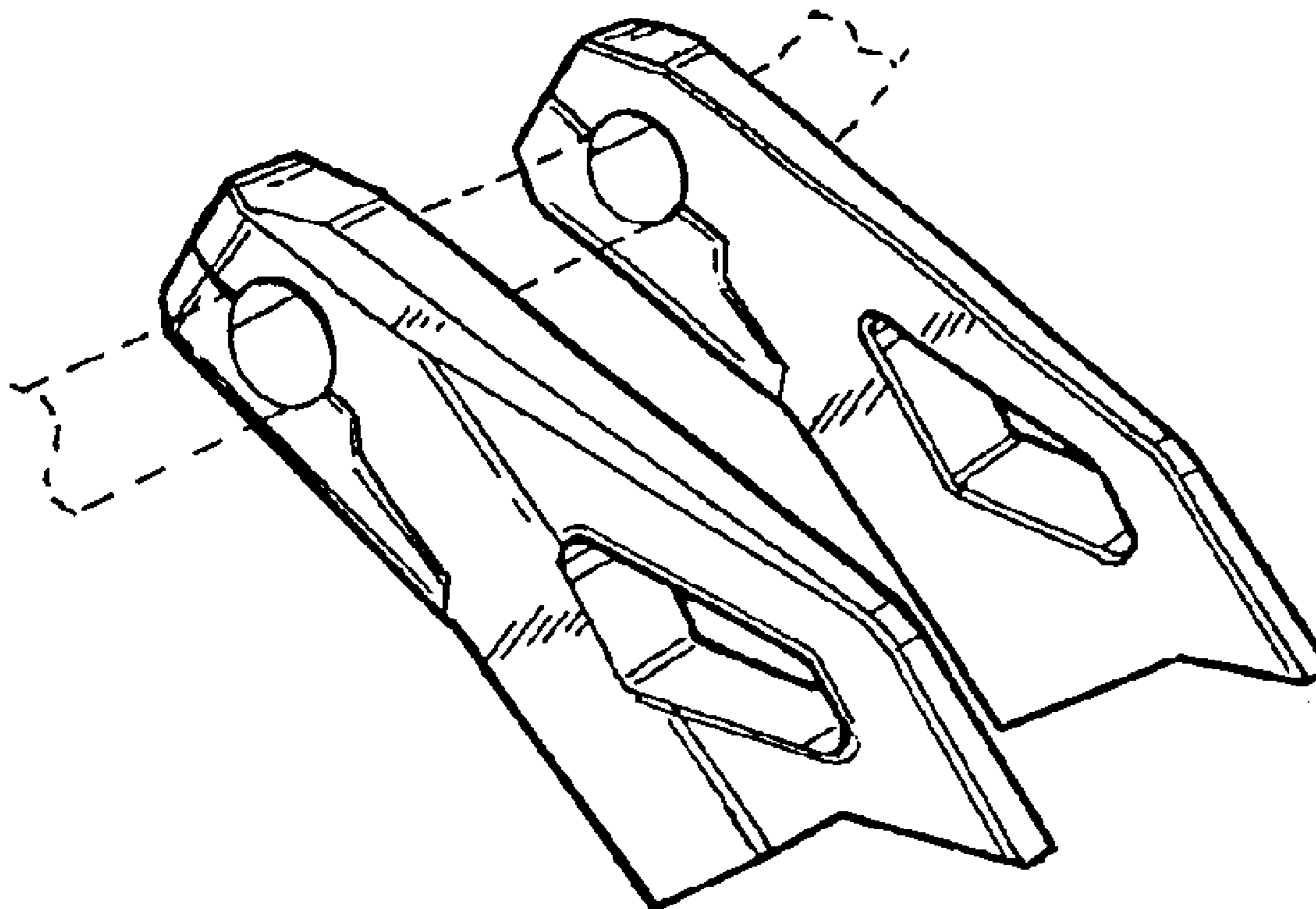
FIG. 4 is a front elevational view thereof;

FIG. 5 is a rear elevational view thereof; and,

FIG. 6 is a top plan view thereof.

The broken line showing of the portion of a handle bar and of the circular elements is for illustrative purposes only and forms no part of the claimed invention.

**1 Claim, 2 Drawing Sheets**



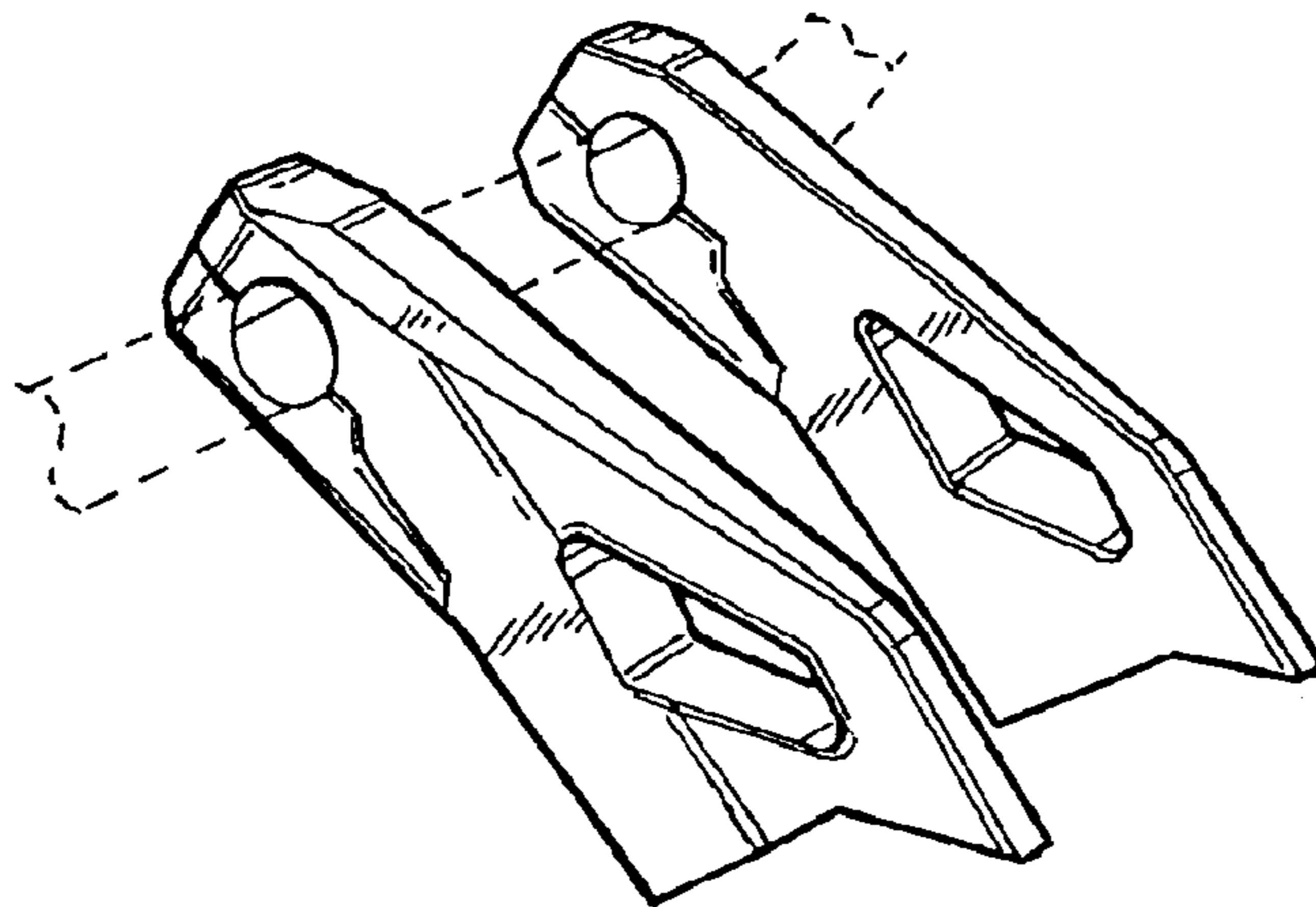


FIG. 1

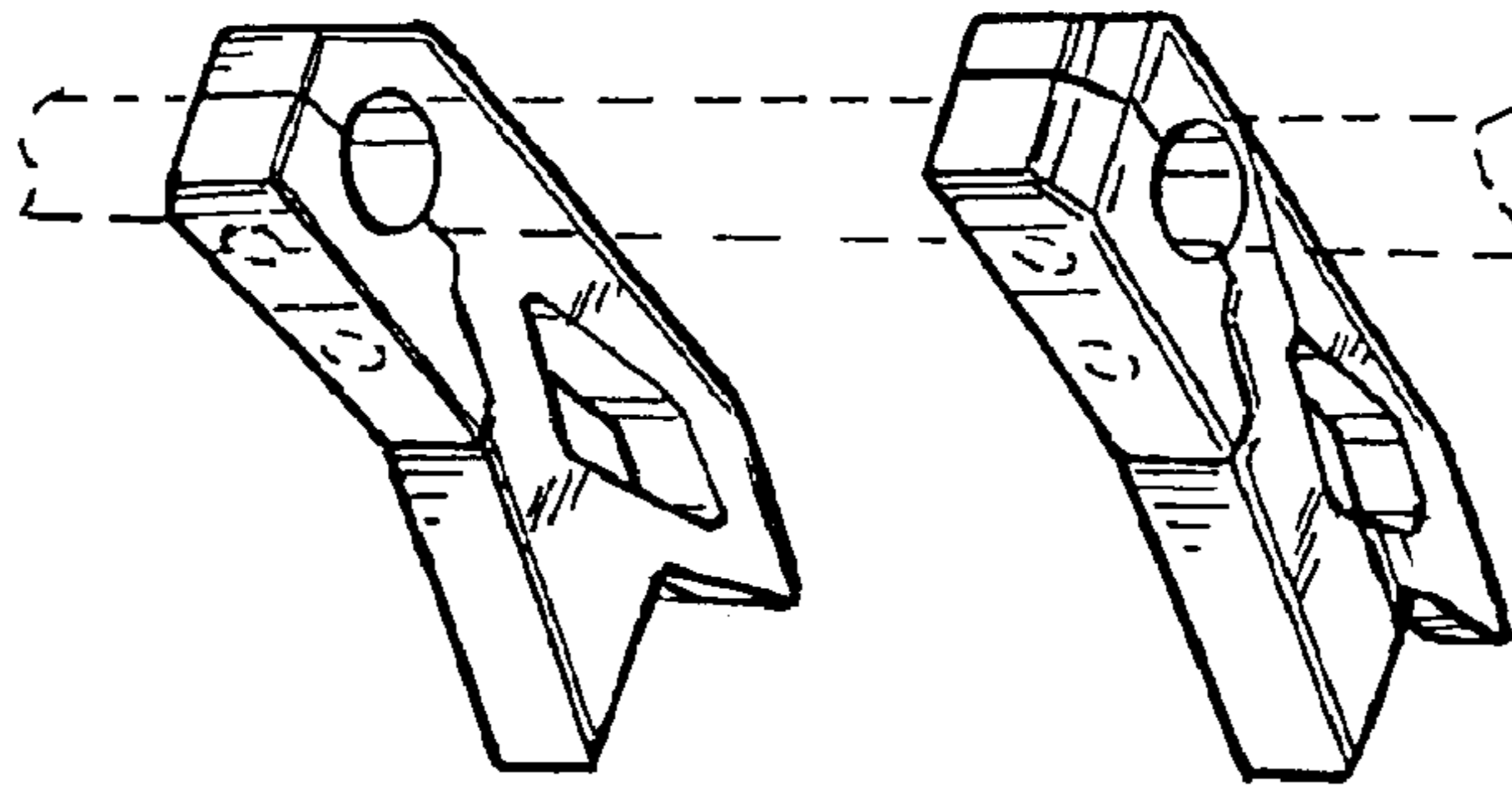


FIG. 2

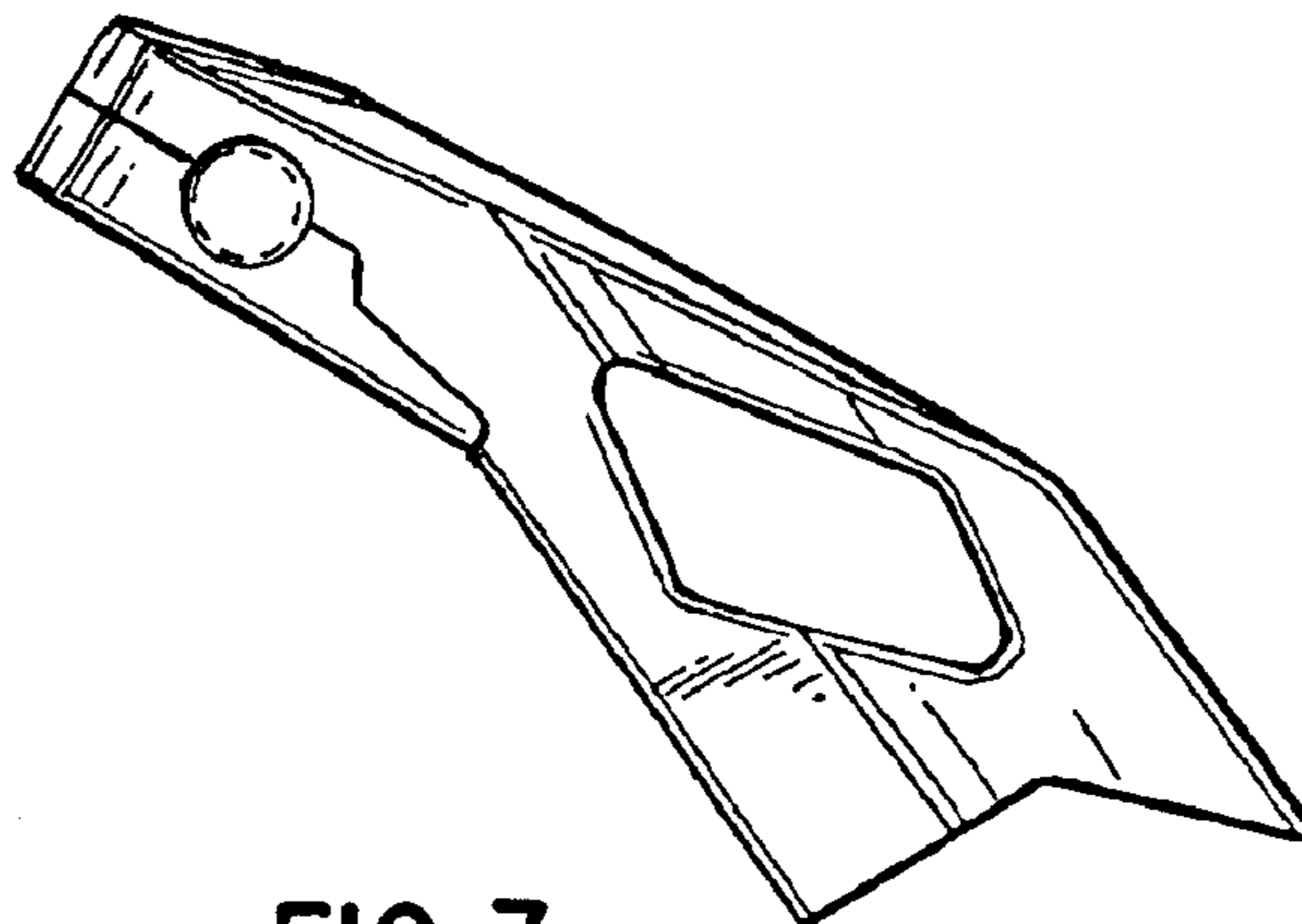


FIG. 3

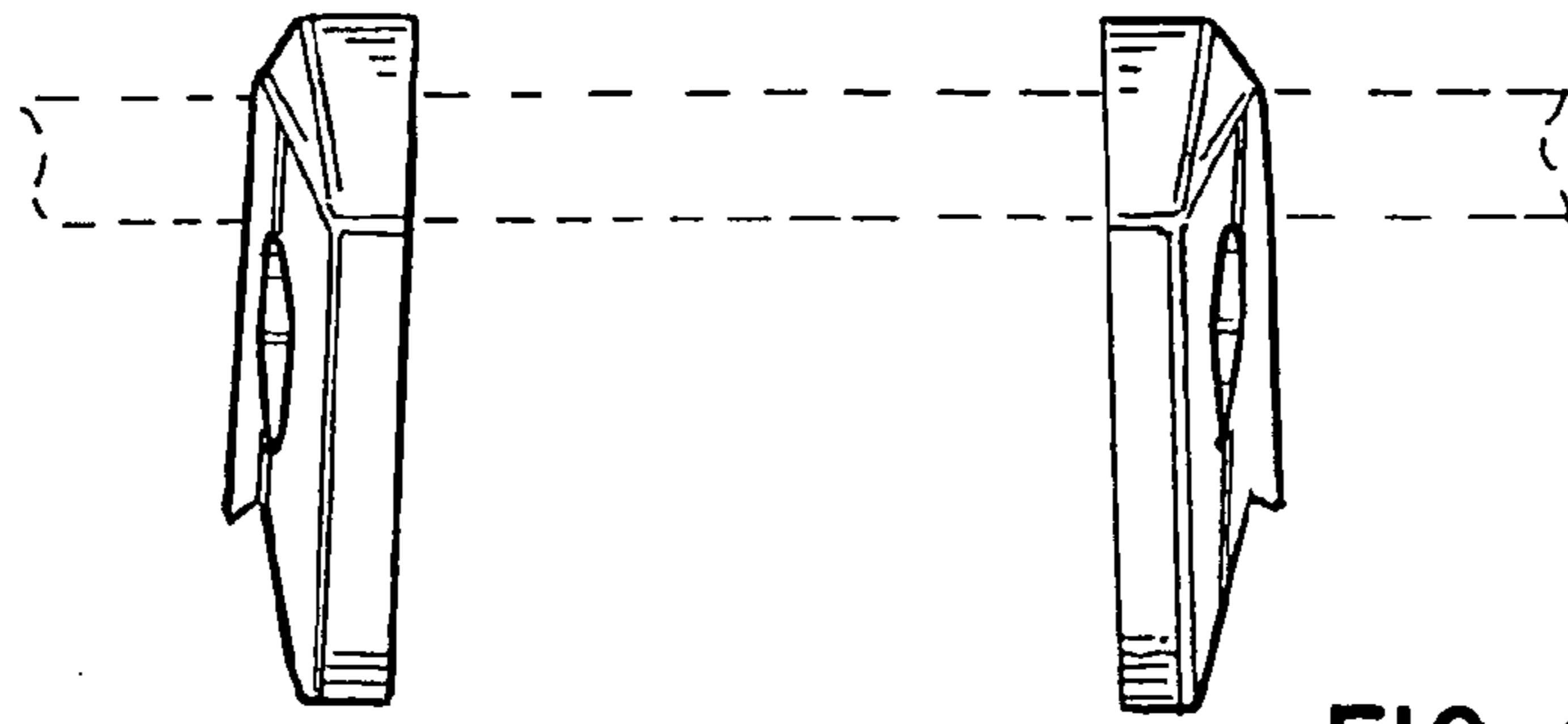


FIG. 4

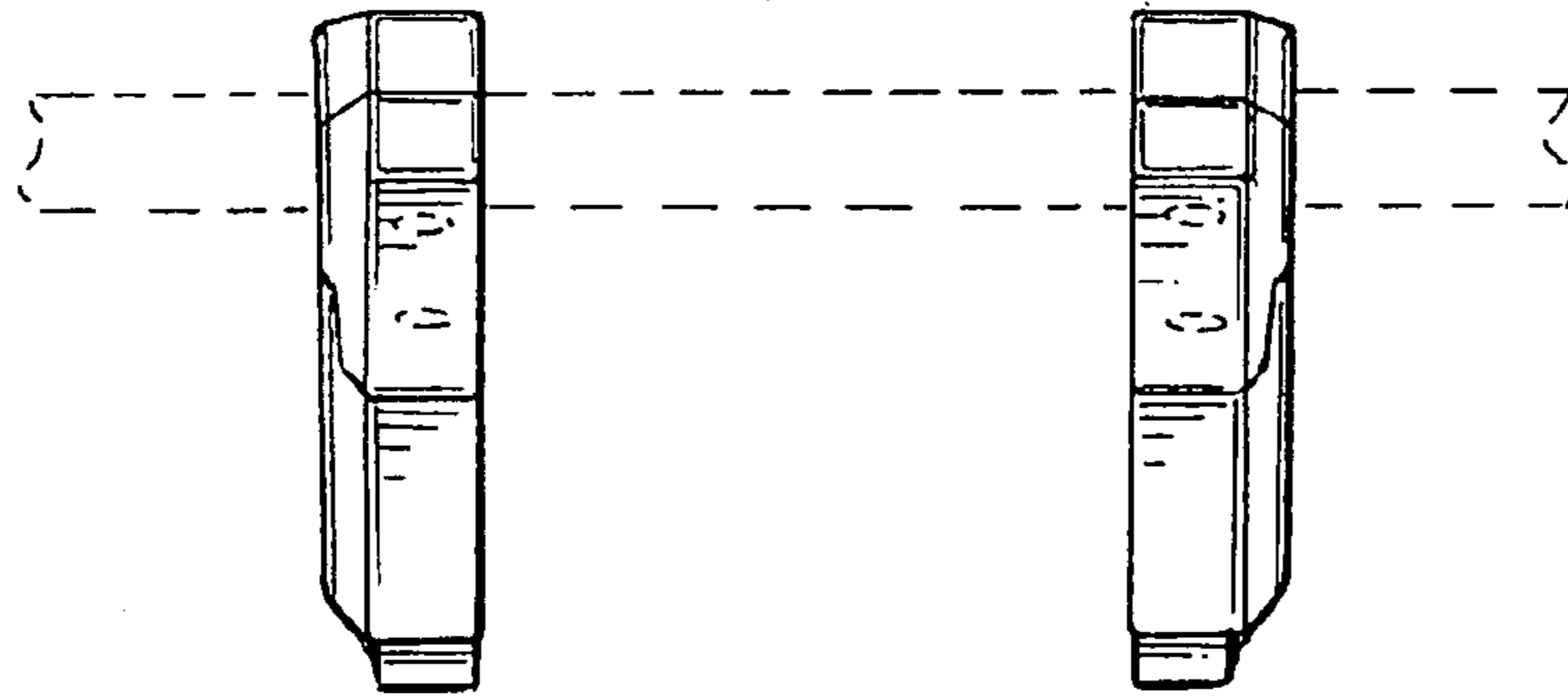


FIG. 5

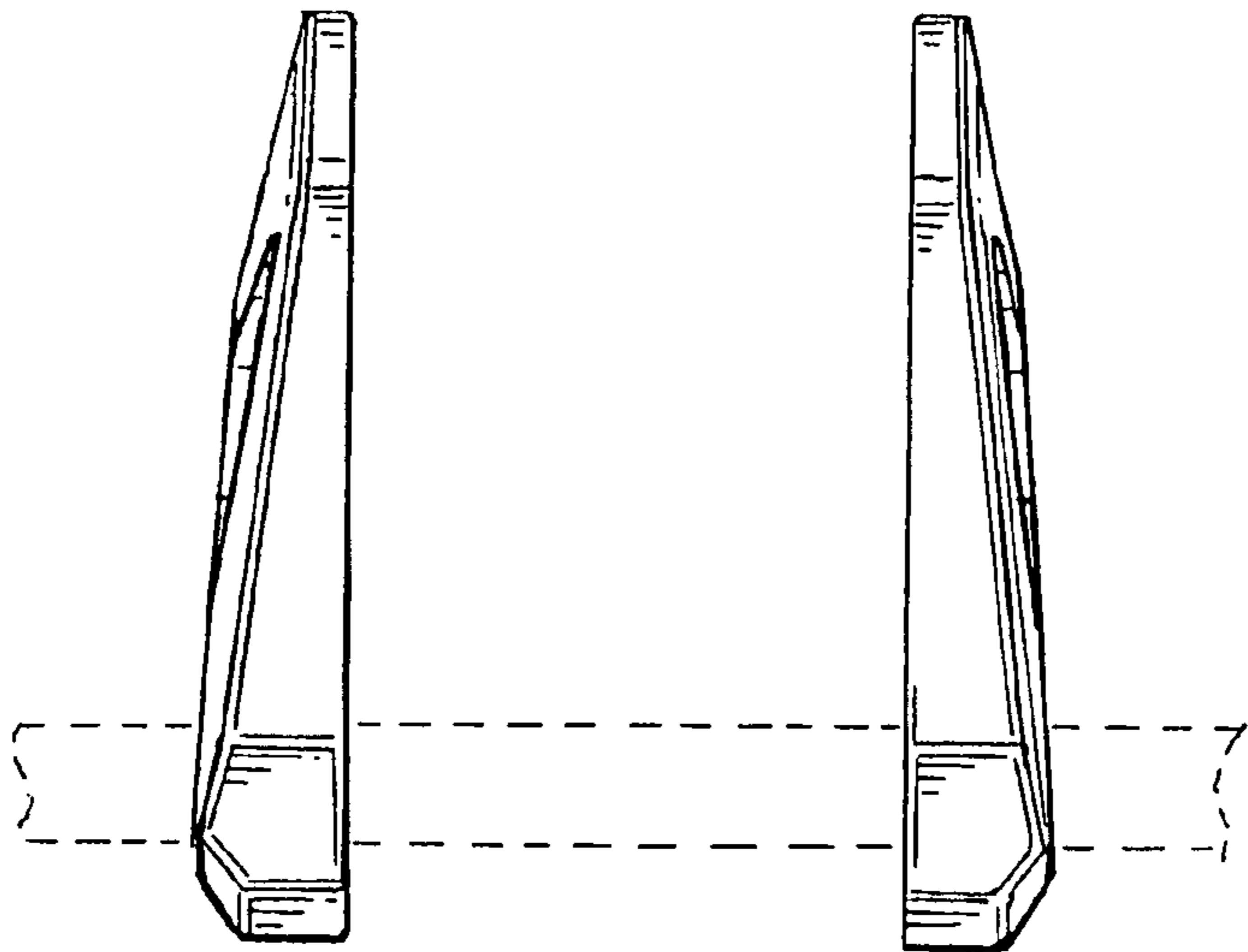


FIG. 6